

[54] BASKET FOR MEMORY DISCS WITH INDEXCARDS

[75] Inventor: Inga-Lisa Johansson, Töreboda, Sweden

[73] Assignee: Industri AB Dahlstedt & Johansson, Toreboda, Sweden

[\*\*] Term: 14 Years

[21] Appl. No.: 665,244

[22] Filed: Oct. 26, 1984

[30] Foreign Application Priority Data

Apr. 26, 1984 [SE] Sweden ..... 84-1348

[52] U.S. Cl. .... D3/35; D34/44

[58] Field of Search ..... D3/35; D34/43, 44, 45, D34/46; 206/425

[56] References Cited

U.S. PATENT DOCUMENTS

D. 149,809 6/1948 Gordon ..... D34/44

D. 192,756	5/1962	Hodgman	.....	D34/44
D. 221,264	7/1971	Brown	.....	D19/90
D. 267,911	2/1983	Long et al.	.....	D3/35
D. 275,918	10/1984	Taylor	.....	D6/475 X
D. 277,797	2/1985	Chabot	.....	D34/43 X
D. 282,313	1/1986	Long et al.	.....	D3/35
D. 283,948	5/1986	Clouser et al.	.....	D3/35
3,628,843	12/1971	Wynne et al.	.....	206/373 X

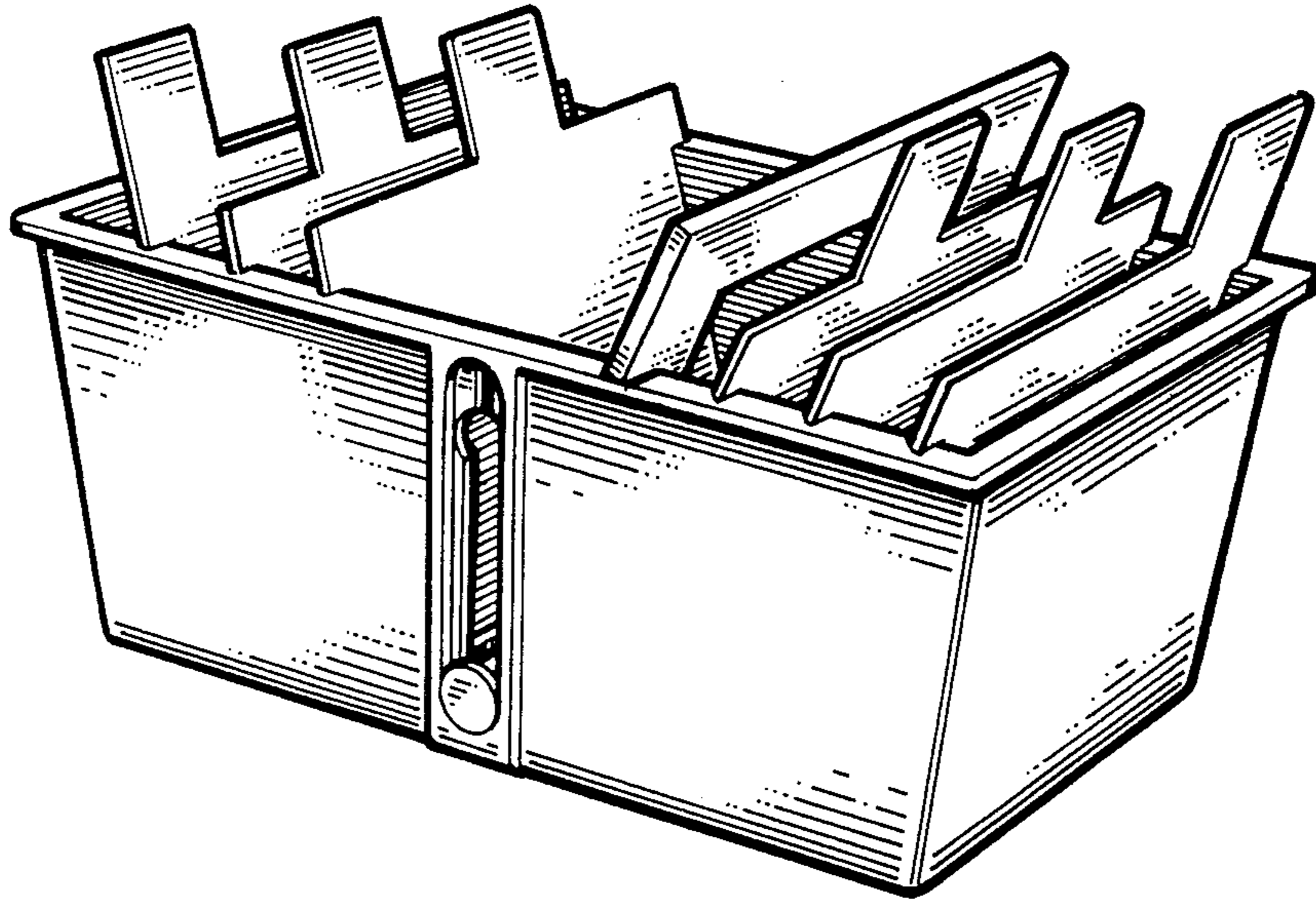
Primary Examiner—Carmen H. Vales  
Attorney, Agent, or Firm—Sughrue, Mion, Zinn, Macpeak & Seas

[57] CLAIM

The ornamental design for a basket for memory discs with indexcards, as shown and described.

DESCRIPTION

FIG. 1 is a perspective view of a basket for memory discs with indexcards showing my new design; FIG. 2 is a top perspective view with the indexcards removed for convenience of illustration and the handle in raised position for illustrative purposes; and FIG. 3 is a bottom perspective view thereof.



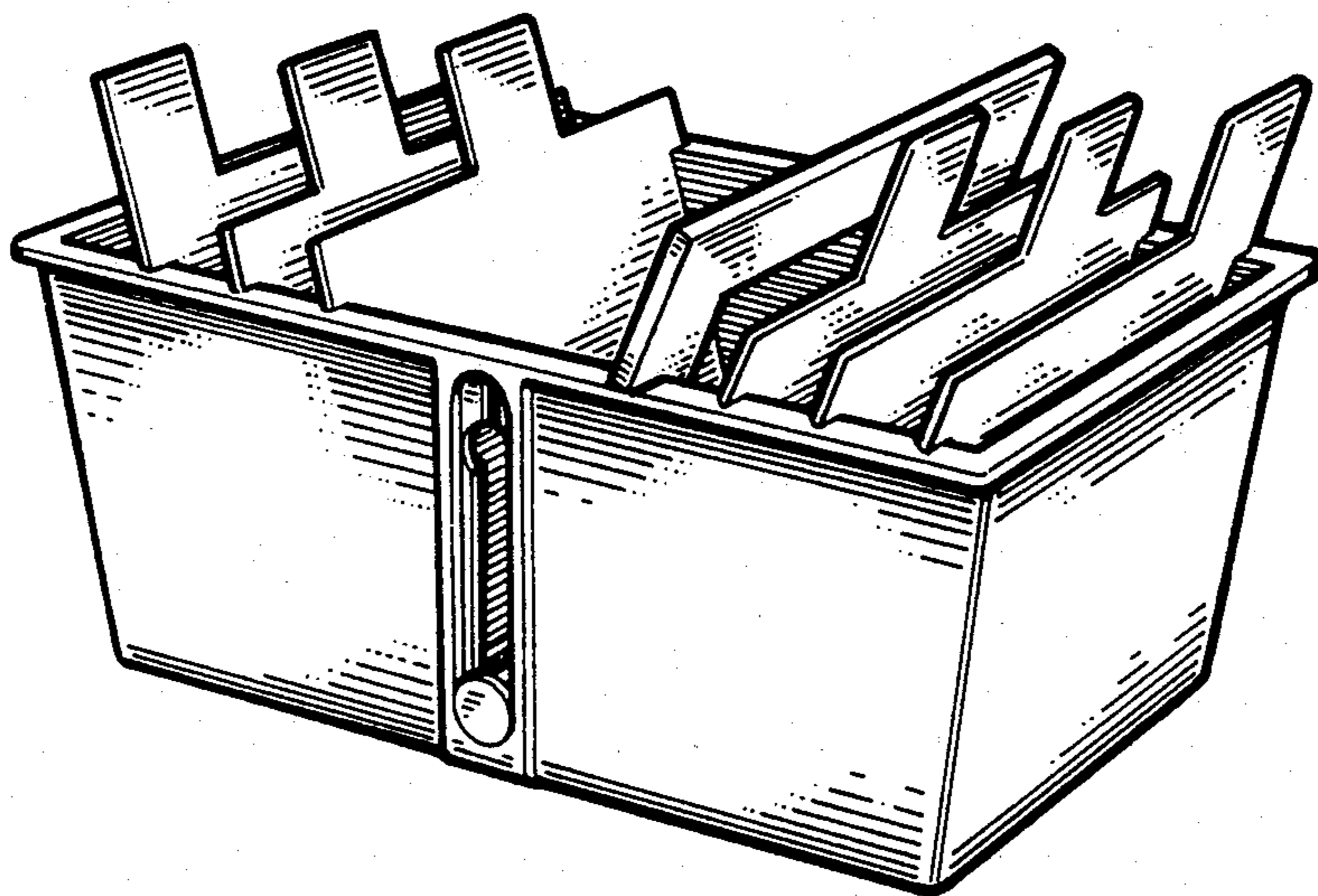


FIG. 1

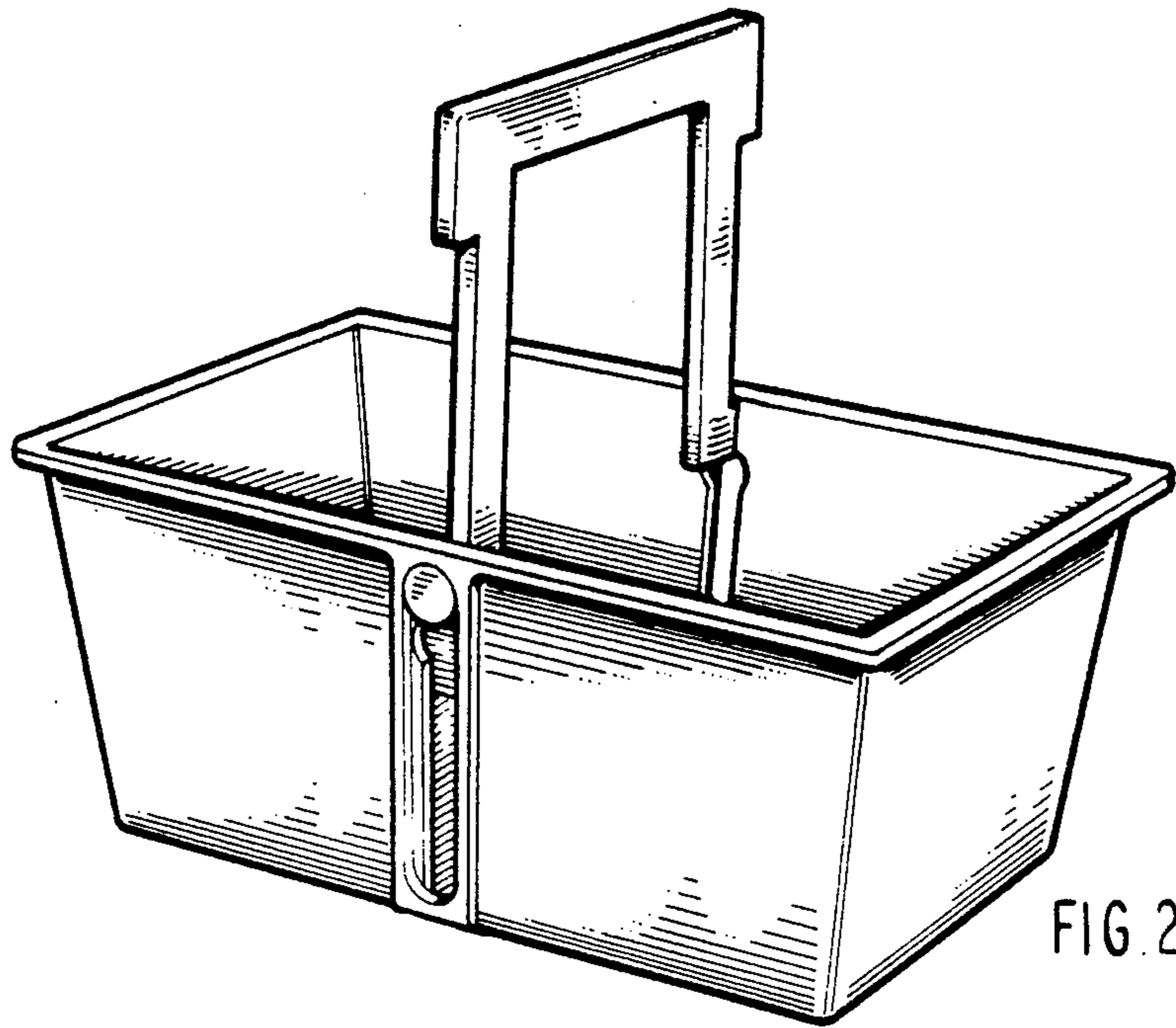


FIG. 2

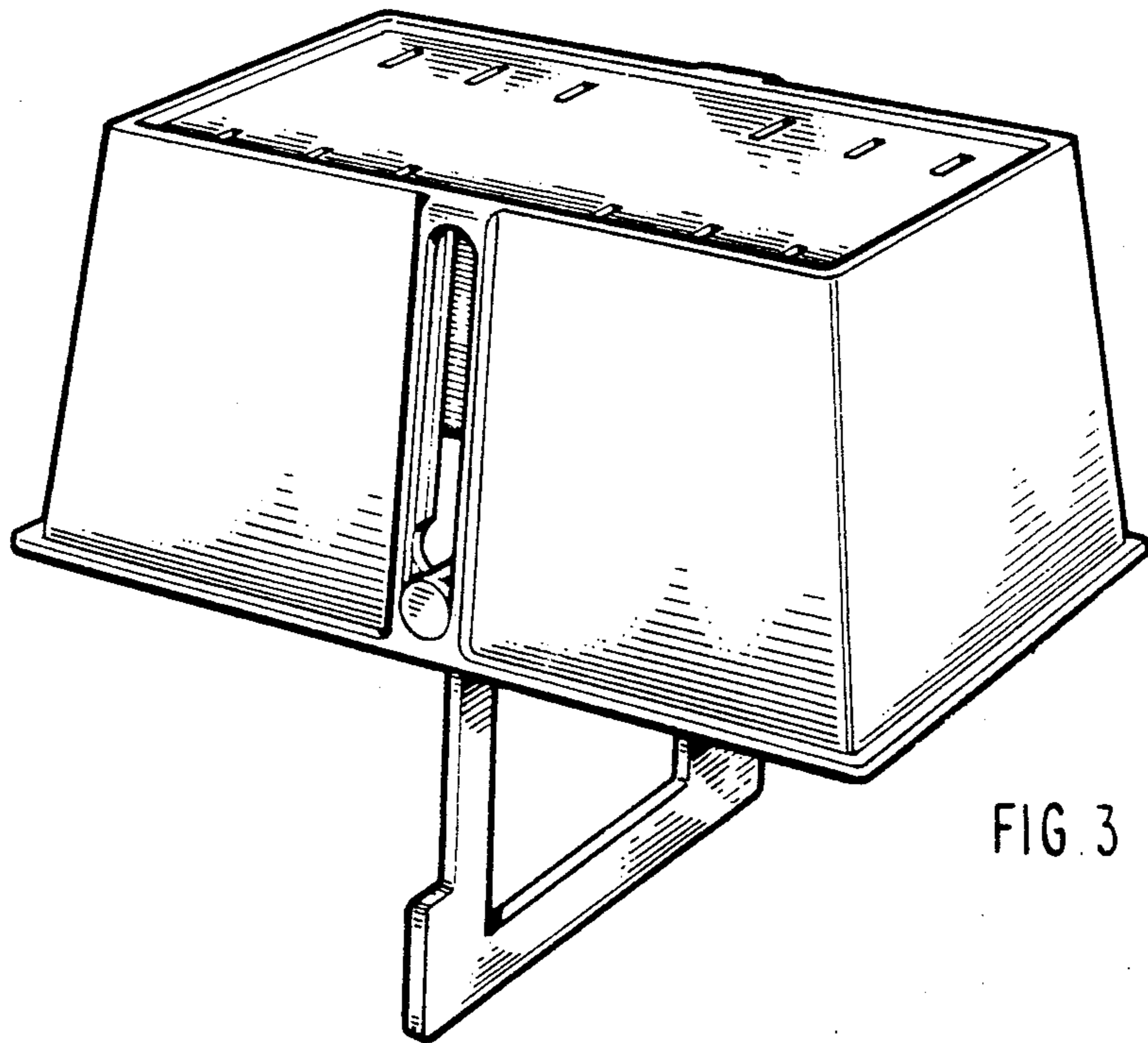


FIG. 3