

[54] **PORTABLE VACUUM CLEANER**

[75] Inventor: **Michael W. Hetherington**, Cedar Valley, Canada

[73] Assignee: **Iona Appliances Inc./Appareils Iona Inc.**, Welland, Canada

[**] Term: **14 Years**

[21] Appl. No.: **708,415**

[22] Filed: **Mar. 5, 1985**

[52] U.S. Cl. **D32/18**

[58] Field of Search **D32/17-18, D32/21, 31-34; 15/300.00 A, 319-322, 324, 329, 344, 416**

[56] **References Cited**

U.S. PATENT DOCUMENTS

D. 257,661	12/1980	Gantz	D32/18
2,999,263	9/1961	Smith	15/344
3,872,539	3/1975	Doyel	15/344

4,574,419 3/1986 Lex 15/344

FOREIGN PATENT DOCUMENTS

2088204 6/1982 Fed. Rep. of Germany 15/416

Primary Examiner—Wallace R. Burke
Assistant Examiner—Ruth E. Takemoto
Attorney, Agent, or Firm—Weldon F. Green

[57] **CLAIM**

The ornamental design for a portable vacuum cleaner, as shown and described.

DESCRIPTION

FIG. 1 is a top, front and right side perspective view of a portable vacuum cleaner showing my new design; FIG. 2 is a bottom, rear and left side perspective view thereof; FIG. 3 is a right side perspective view thereof; FIG. 4 is a top plan view thereof; FIG. 5 is a bottom plan view thereof; and FIG. 6 is a front elevational view thereof.

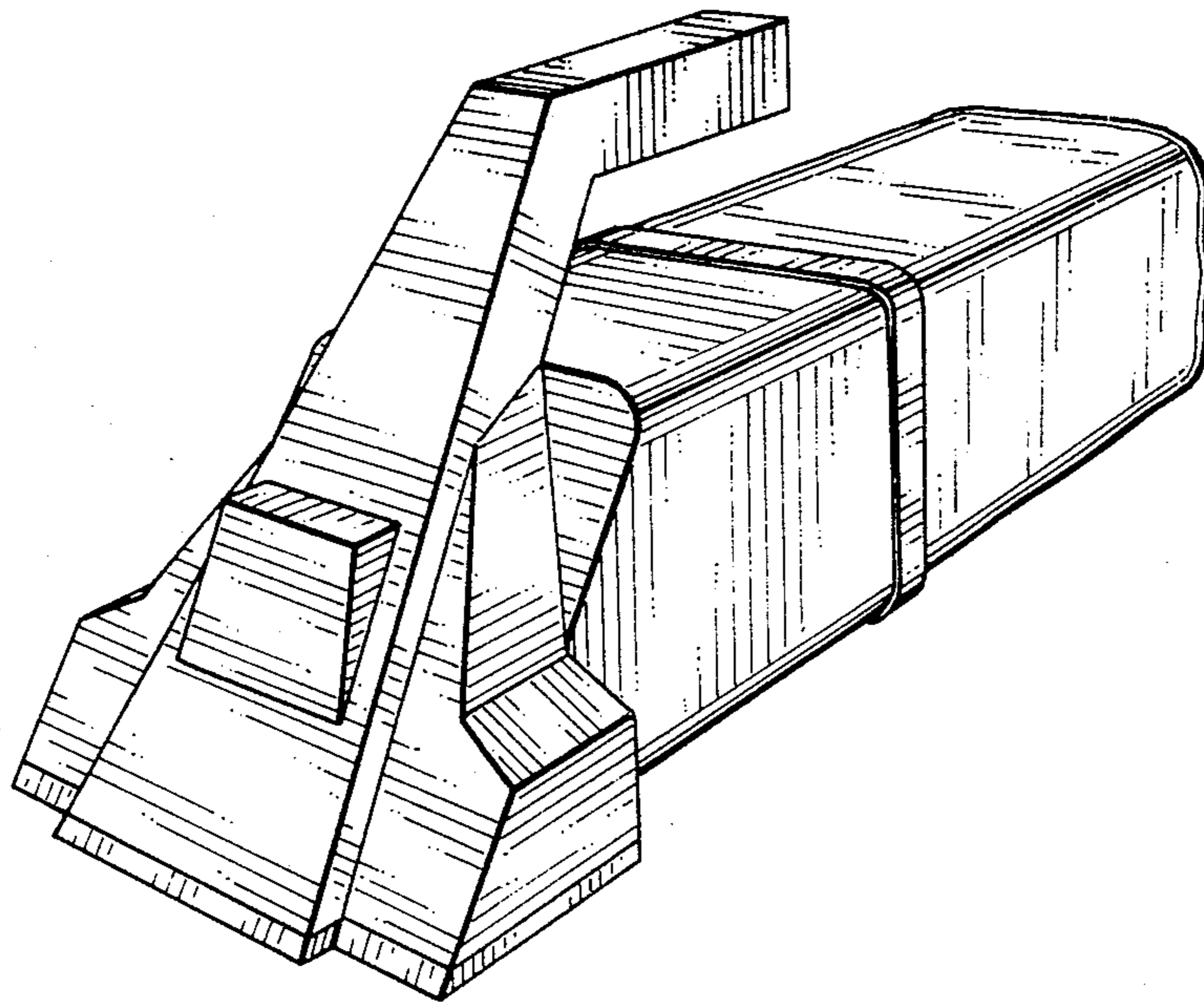


FIG. 1

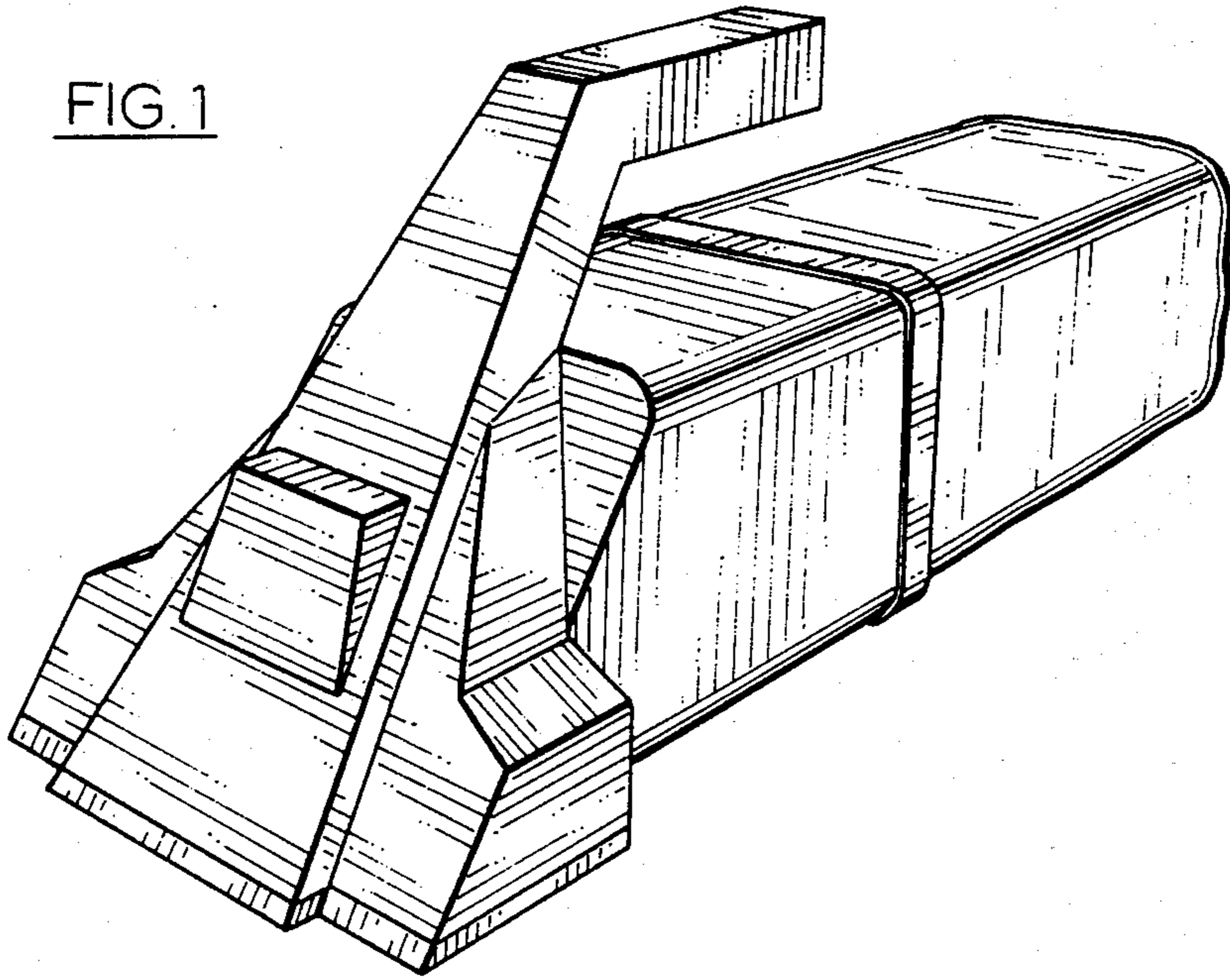
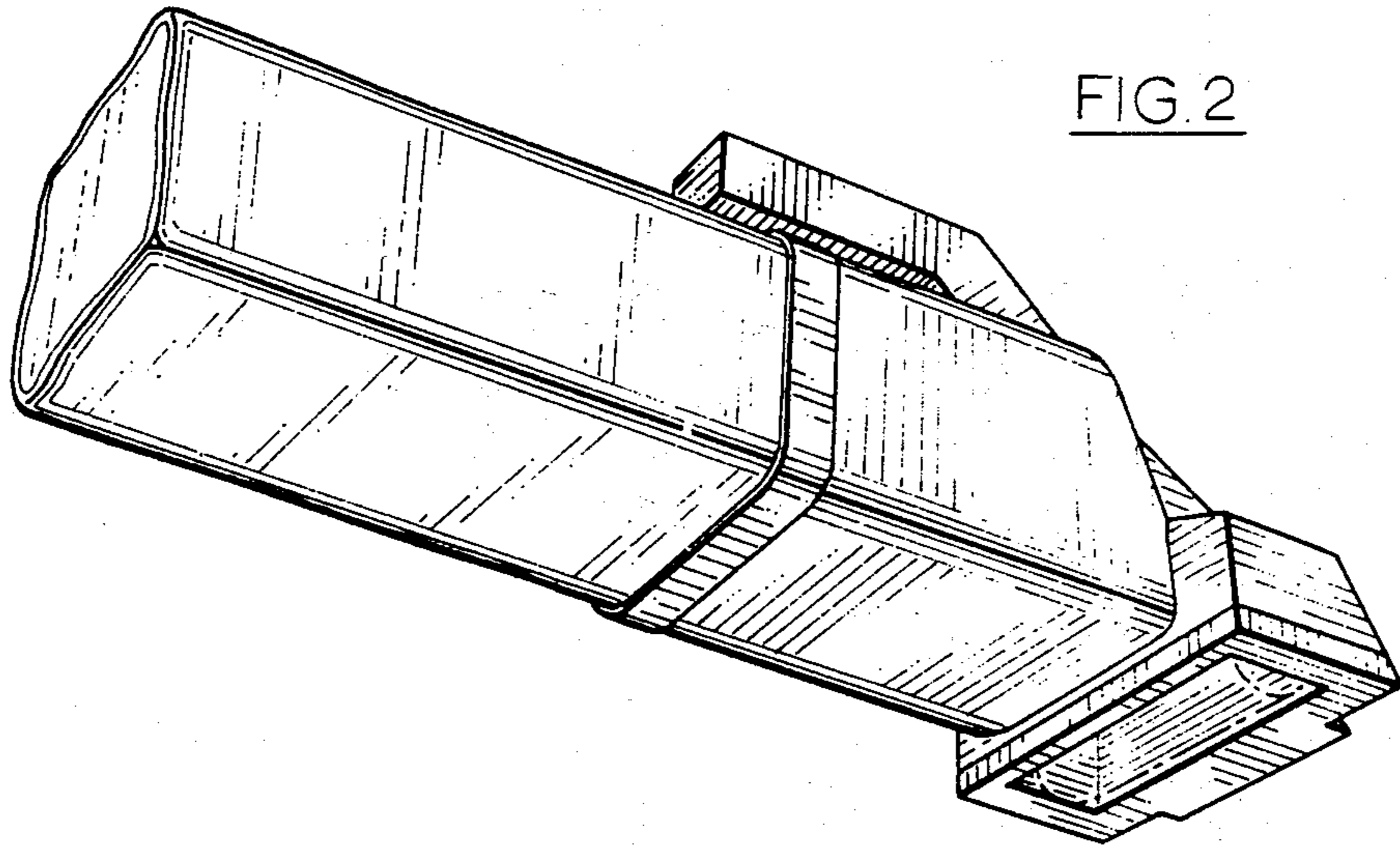


FIG. 2



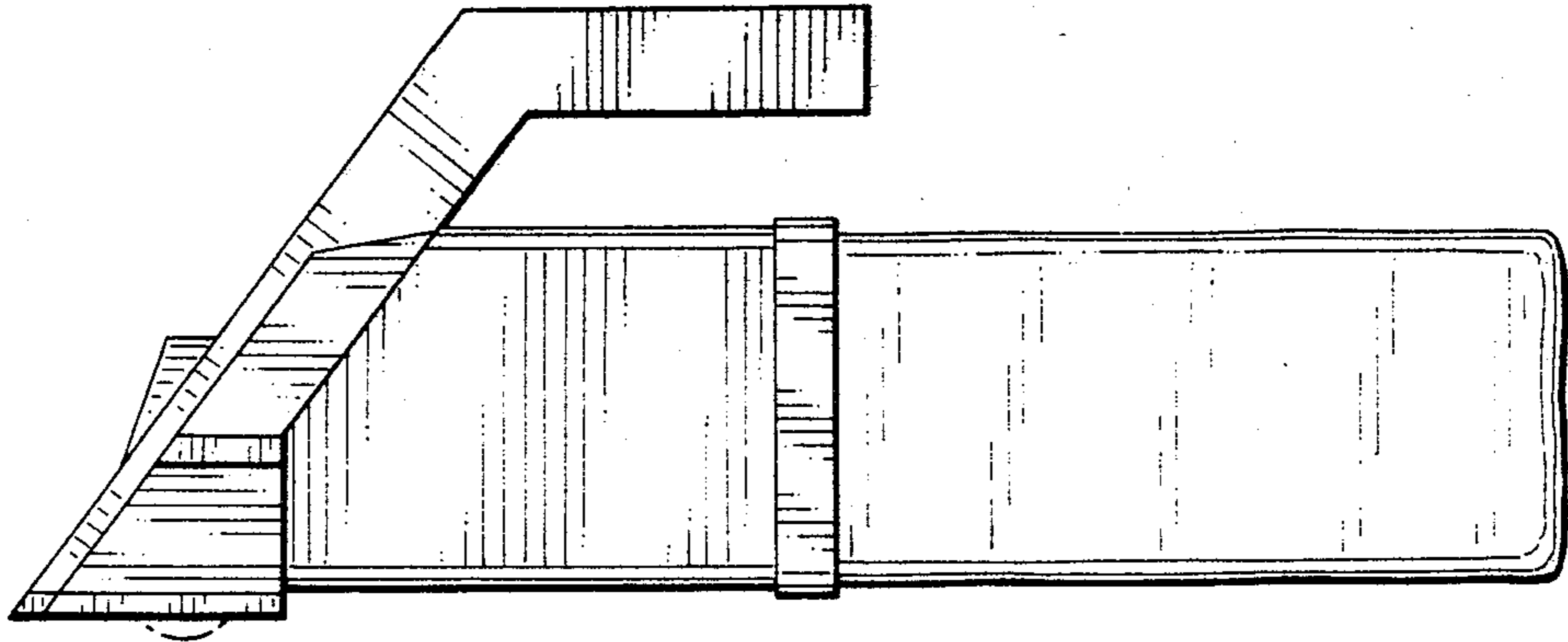


FIG. 3

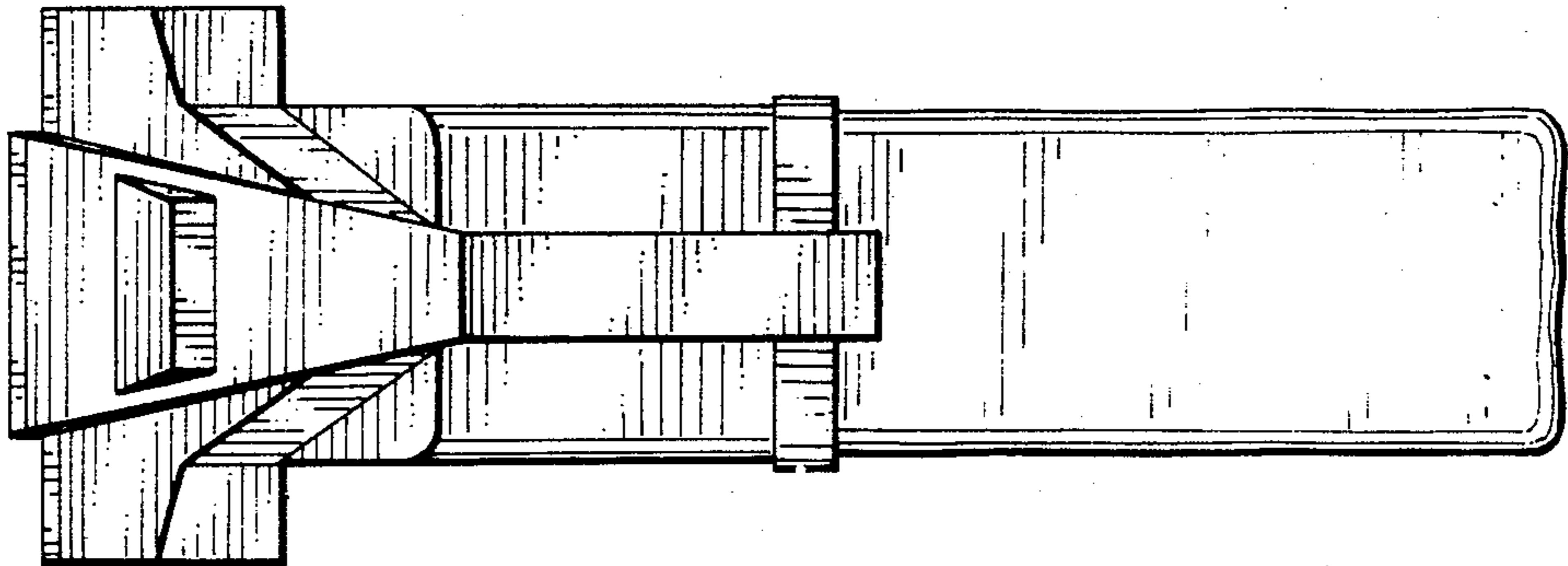


FIG. 4

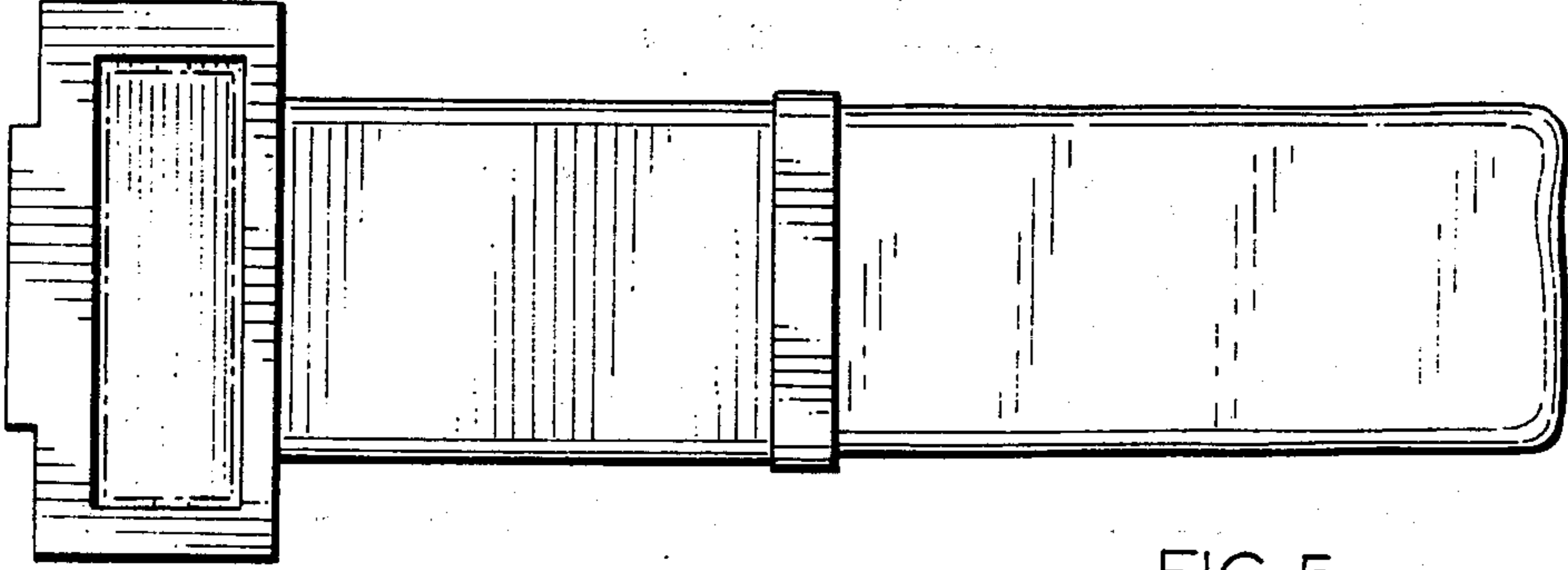


FIG. 5

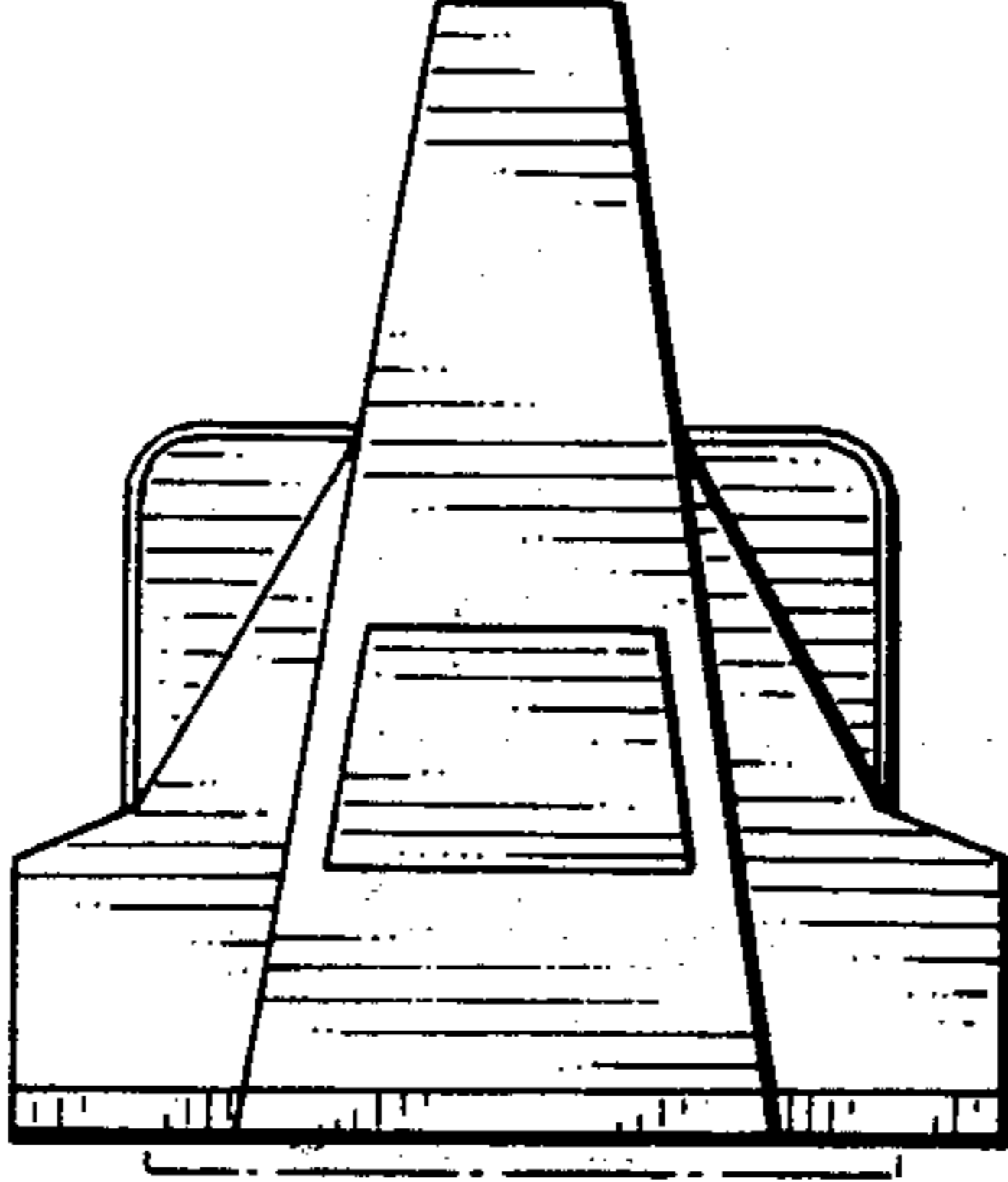


FIG. 6