

[54] SUN VISOR

[75] Inventor: Stanley D. Cohen, Overland Park, Kans.

[73] Assignee: Staco Enterprises, Inc., Overland Park, Kans.

[\*\*] Term: 14 Years

[21] Appl. No.: 622,014

[22] Filed: Jun. 18, 1984

[52] U.S. Cl. .... D29/18

[58] Field of Search ..... 2/11, 12, 15, 195, 196, 2/197, 198, 199, 200, 175; 446/26, 27; D2/230, 239, 241, 244, 247, 253; D29/17, 18

[56] References Cited

U.S. PATENT DOCUMENTS

D. 64,441	4/1924	Cavell	.....	D2/247
D. 237,458	11/1975	Huffman	.....	D2/247 X
D. 263,092	2/1982	Fay	.....	D2/253
D. 266,712	11/1982	Van Valkenburgh	.....	D2/253 X
D. 267,752	2/1983	Fairbrother	.....	D2/241
D. 272,865	3/1984	Edelmann	.....	D2/241
D. 282,308	1/1986	Kain	.....	D2/247
1,569,658	1/1926	Levinson	.....	D2/244
1,598,313	8/1926	Rosenberg	.....	D2/244 X
1,598,314	8/1926	Rosenberg	.....	D2/244 X
1,782,206	11/1930	Kornsweet	.....	2/12
1,809,956	6/1931	Wrenshall	.....	2/12
2,019,028	10/1935	Sternberg	.....	2/12
4,023,212	5/1977	Huffman	.....	2/197

4,192,017	3/1980	Fay	.....	2/12
4,258,437	3/1981	Sawatsky	.....	2/12
4,277,847	7/1981	Florio	.....	2/12
4,293,958	10/1981	Zauner	.....	2/12
4,393,519	7/1983	Nicastro	.....	2/12
4,520,510	6/1985	Daigle	.....	2/12

OTHER PUBLICATIONS

Sports Visor Cap.  
Foam Visor Ring.  
Eyeglass Visor.

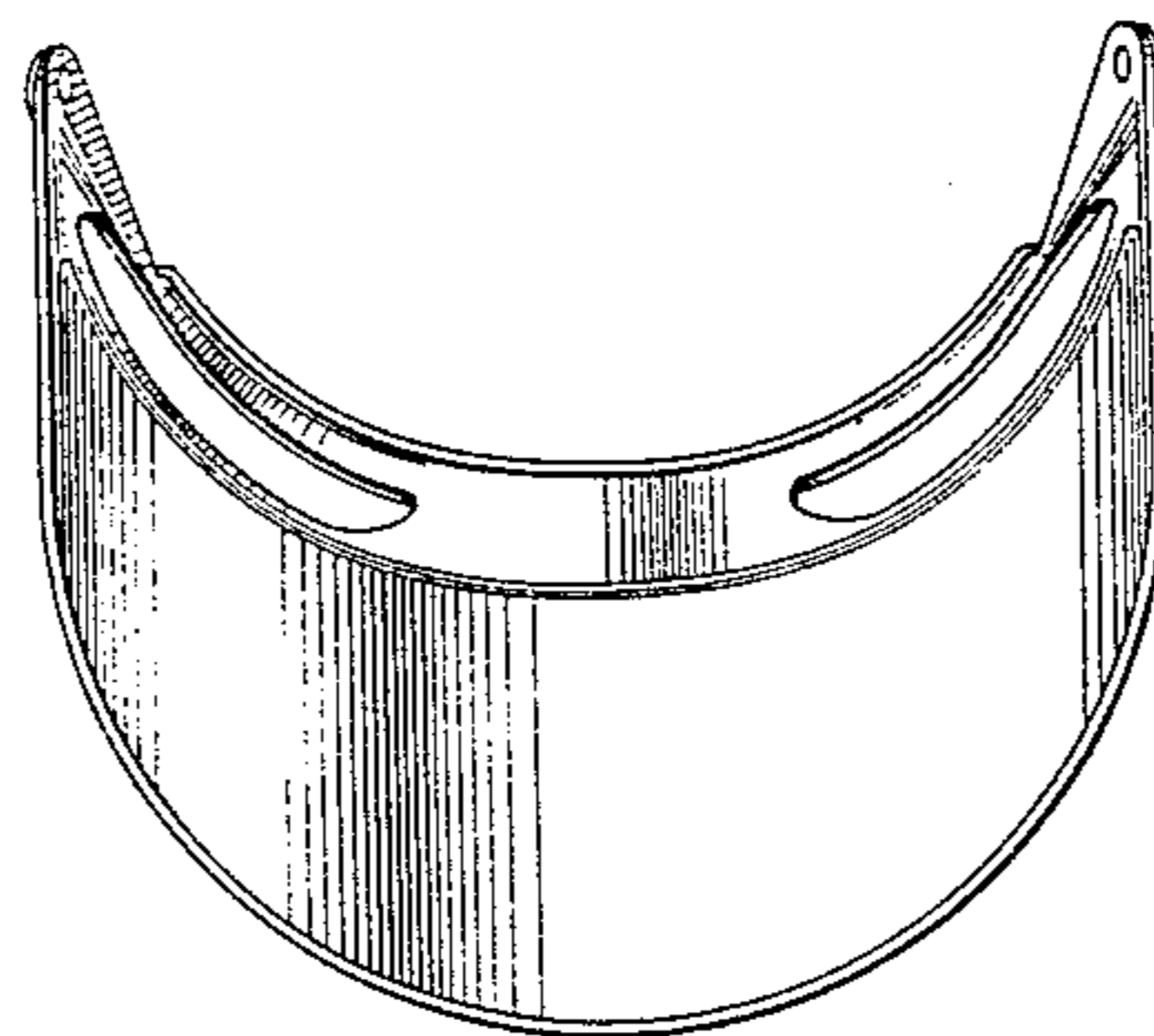
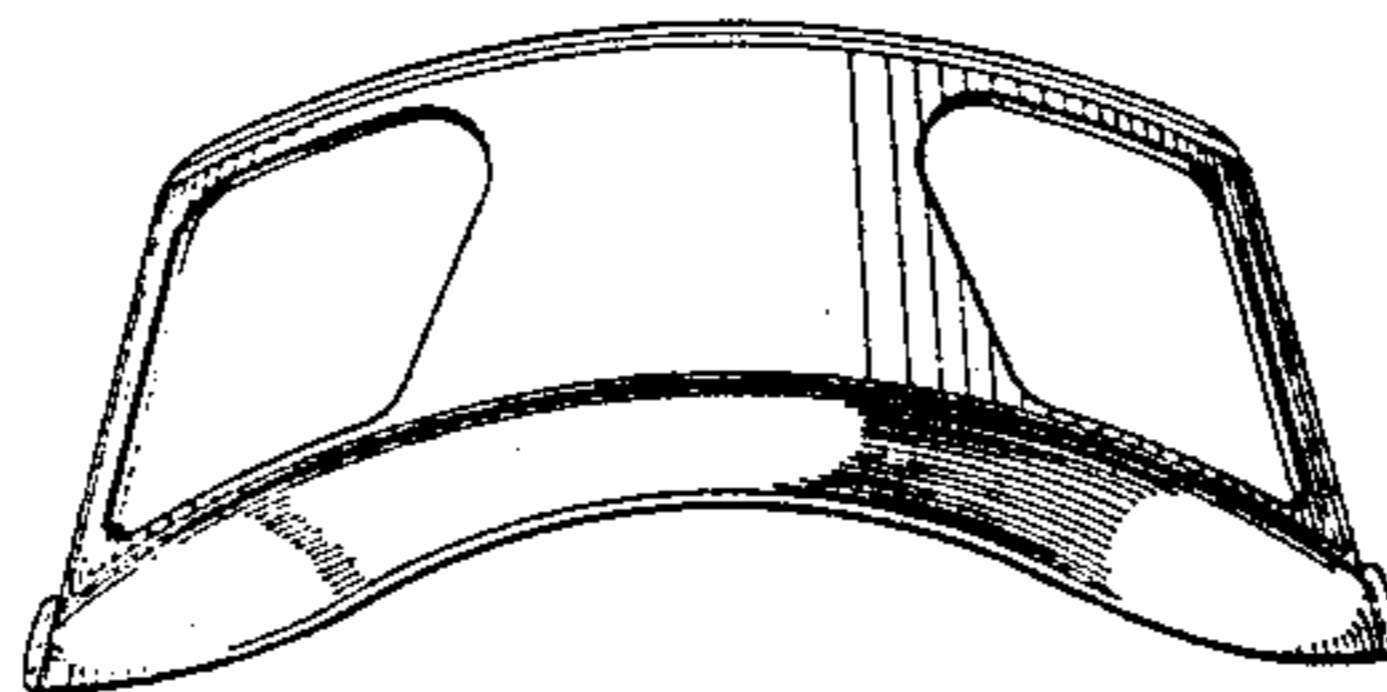
Primary Examiner—Carmen H. Vales  
Attorney, Agent, or Firm—Litman, McMahon & Brown

[57] CLAIM

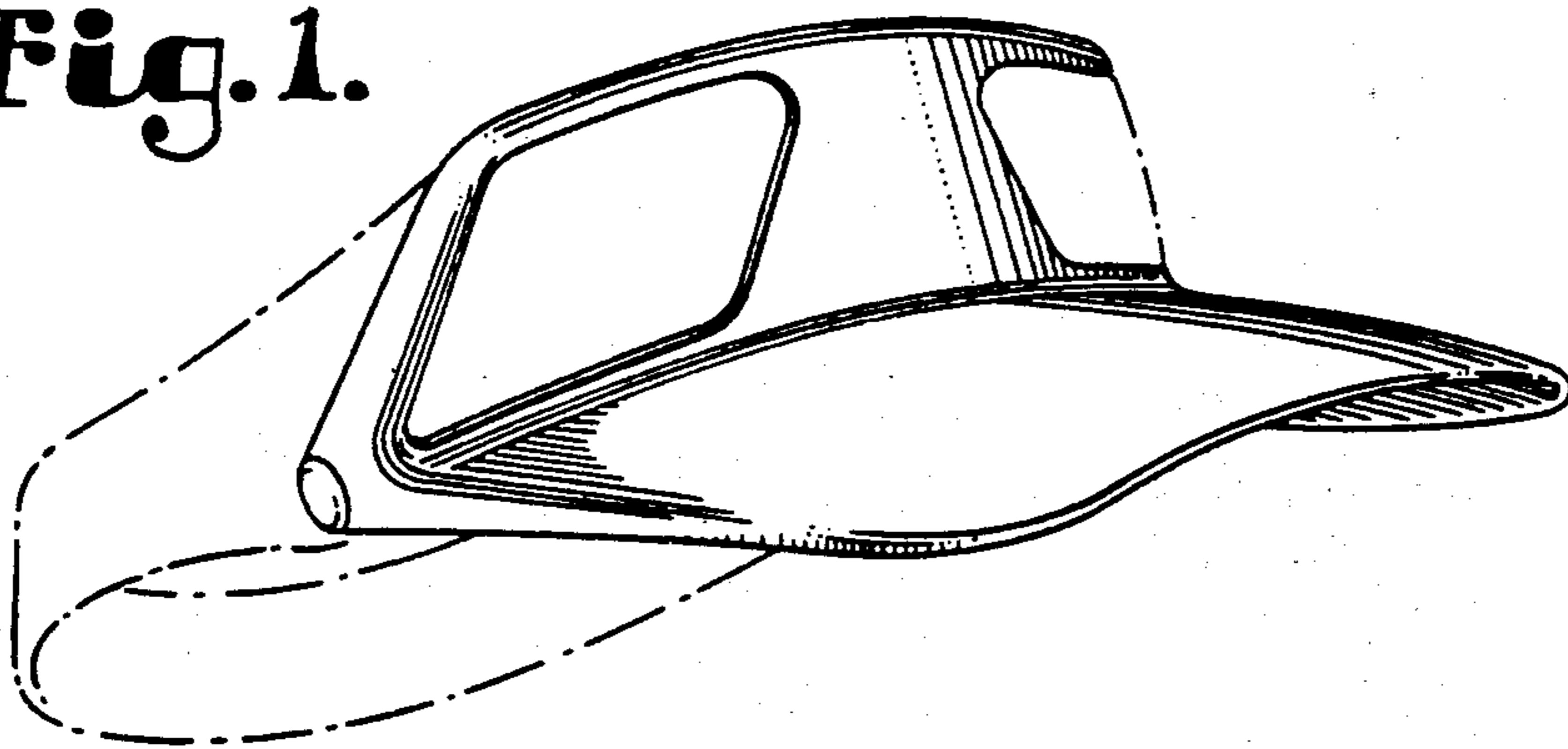
The ornamental design for a sun visor, as shown and described.

DESCRIPTION

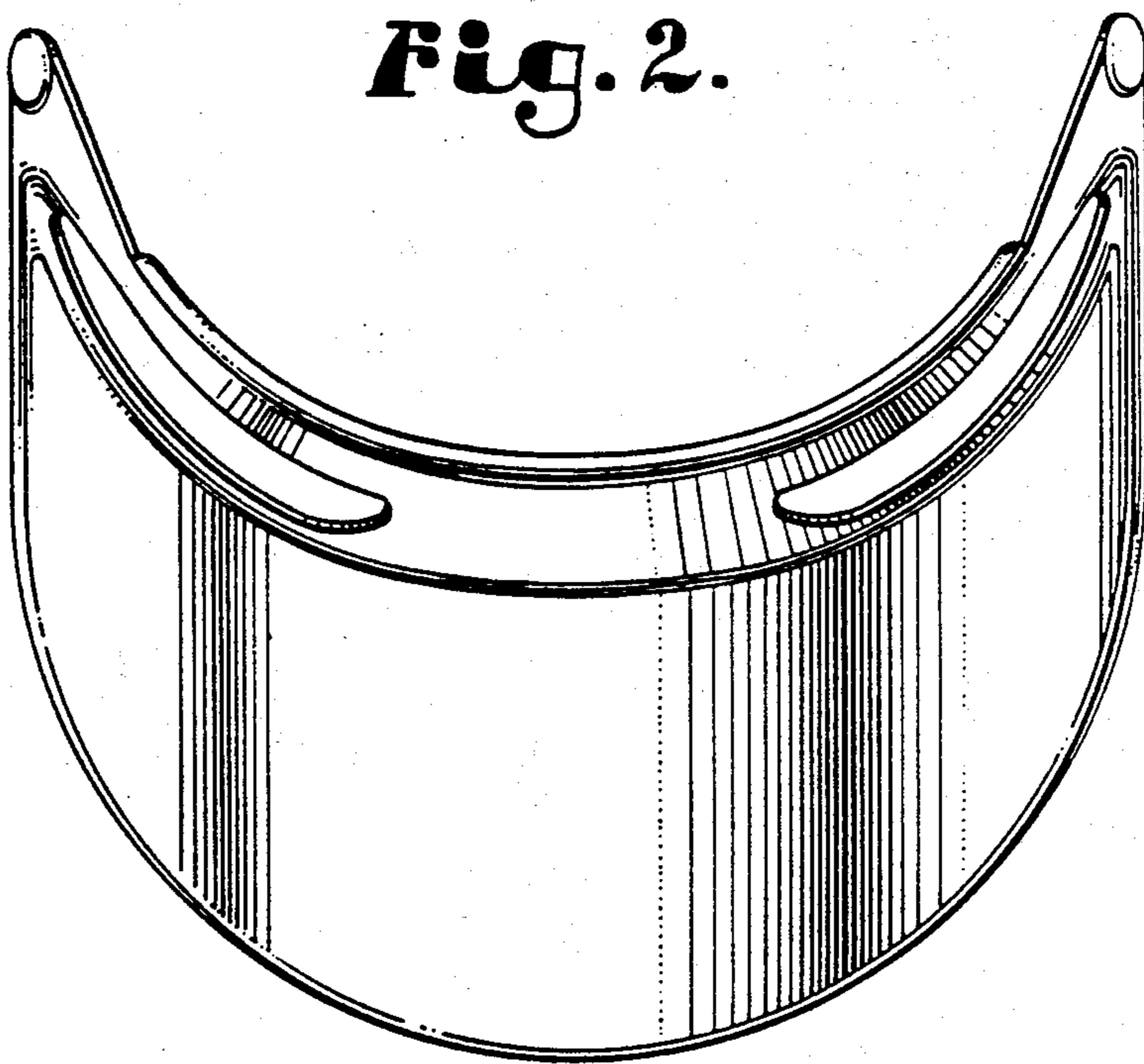
FIG. 1 is a perspective view of a sun visor showing my new design; the broken lines are for illustrative purposes only and form no part of the claimed design;  
FIG. 2 is a top plan view thereof;  
FIG. 3 is a left side elevational view, the right side being a mirror image thereof;  
FIG. 4 is a front elevational view thereof;  
FIG. 5 is a rear elevational view thereof; and  
FIG. 6 is a bottom plan view thereof.  
The characteristic feature of my design resides in the central forehead portion of the visor, as best illustrated in FIG. 4.



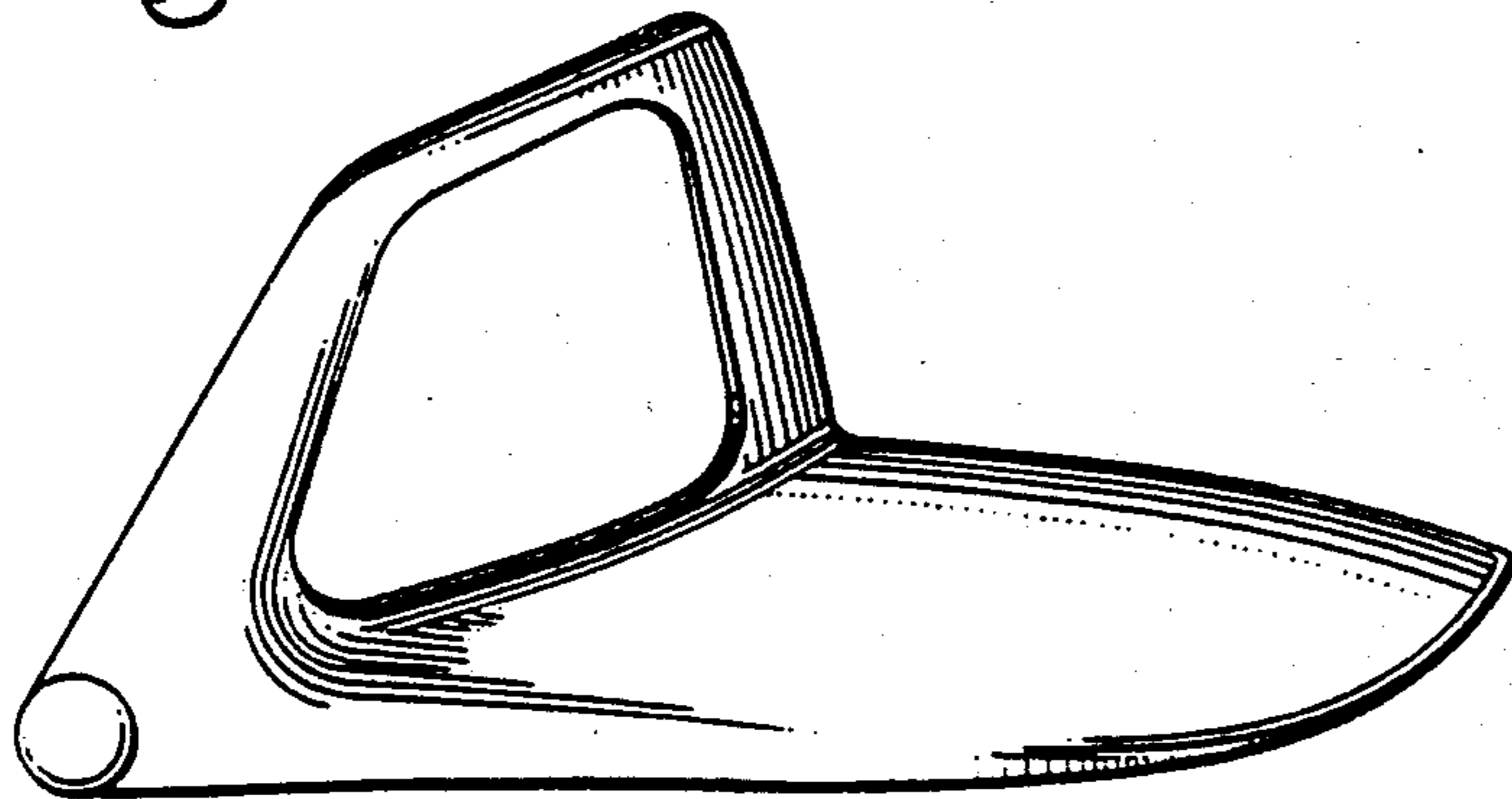
**Fig. 1.**

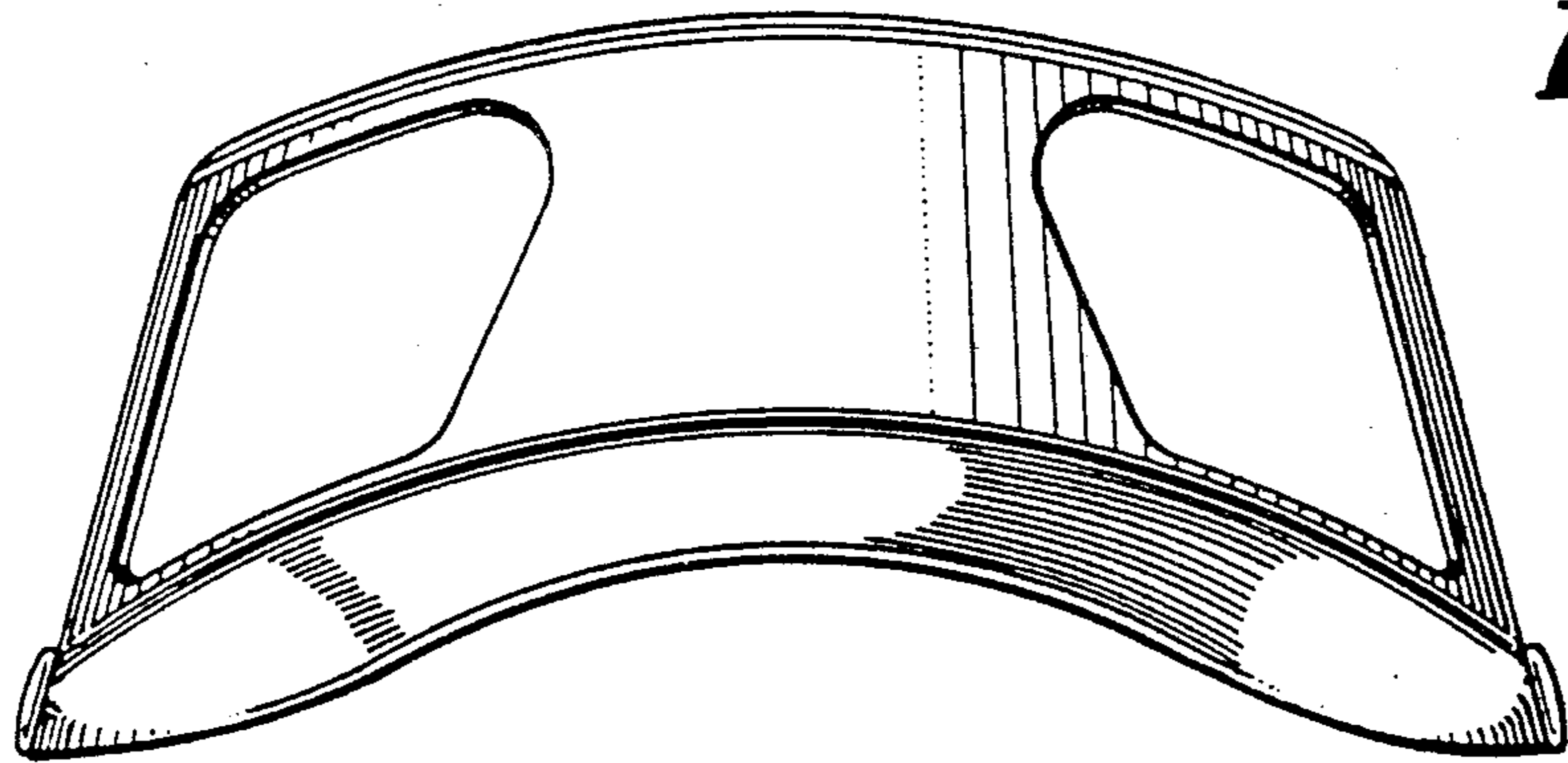


**Fig. 2.**

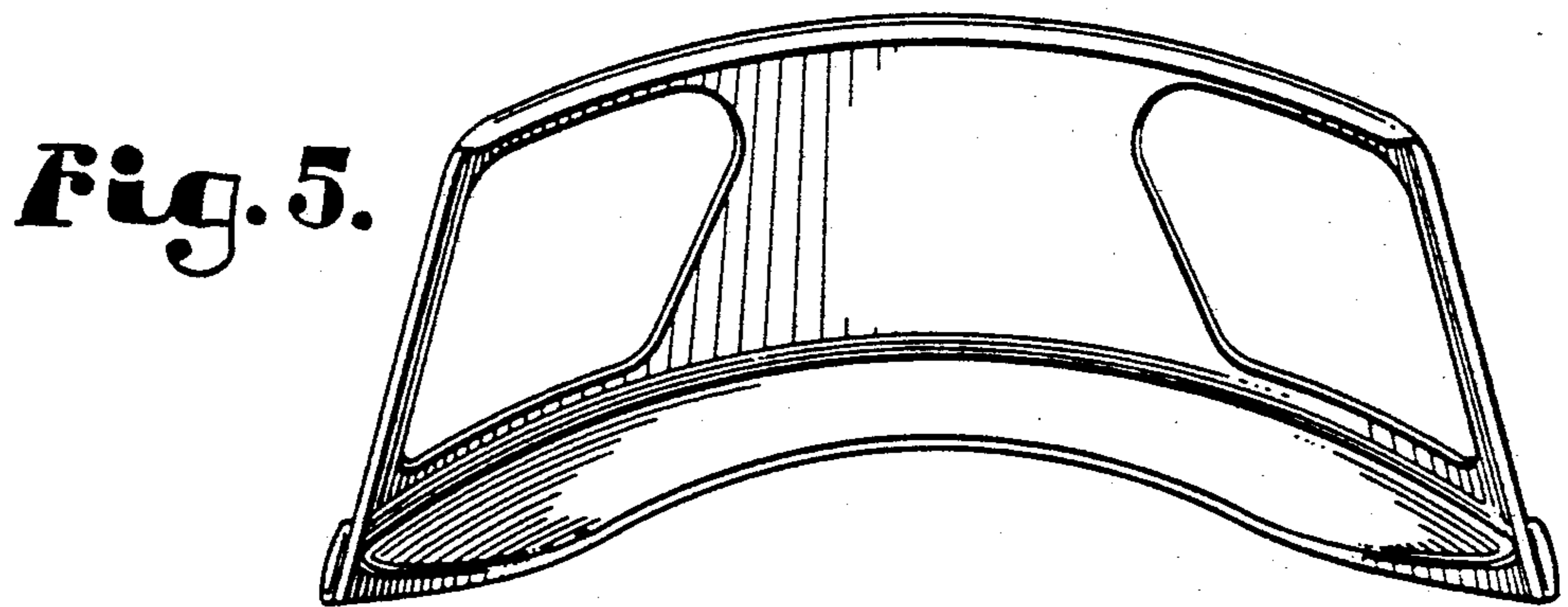


**Fig. 3.**

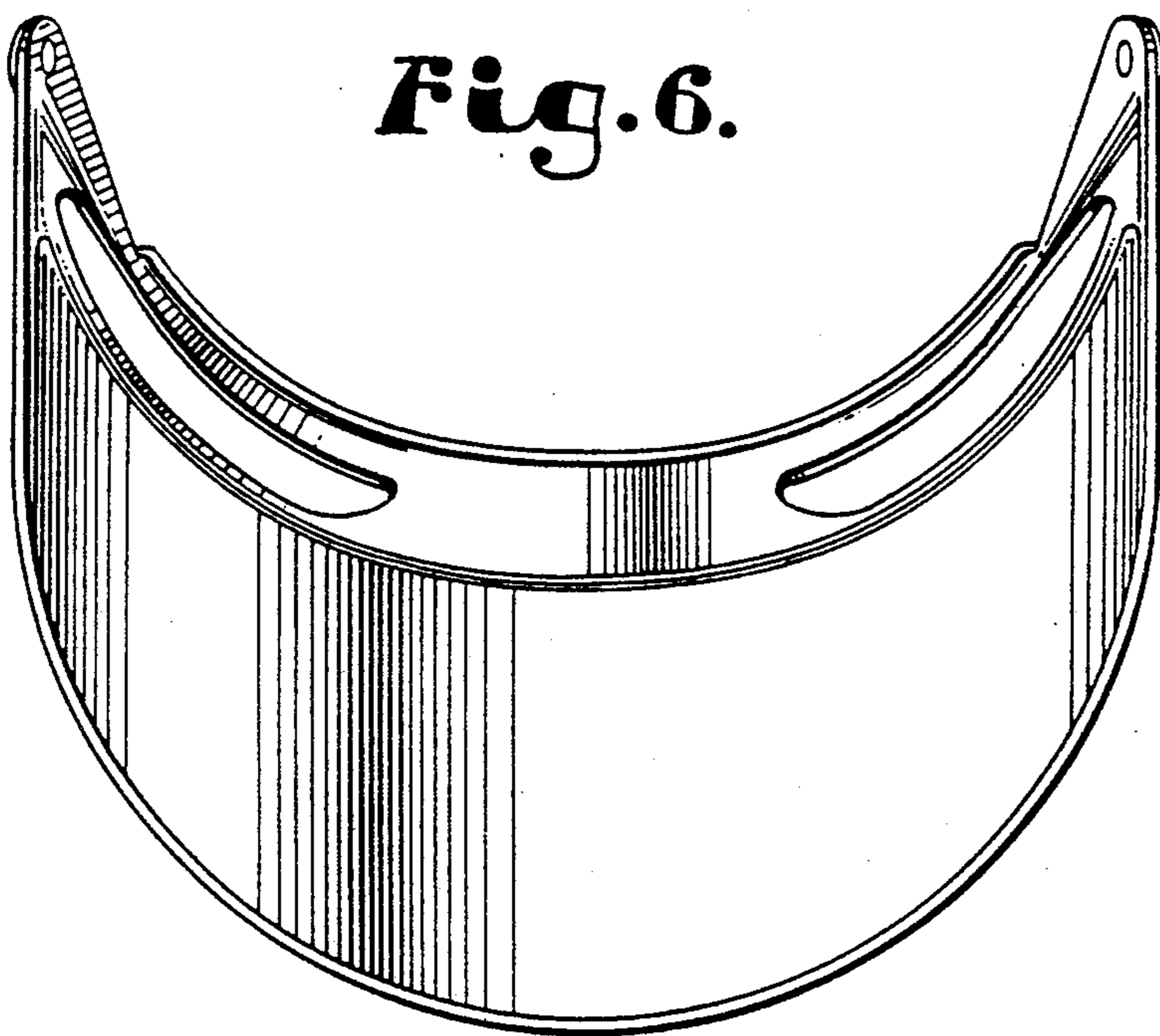




**Fig. 4.**



**Fig. 5.**



**Fig. 6.**