

United States Patent [19]

Korper

[11] Patent Number: **Des. 291,374**

[45] Date of Patent: **** Aug. 11, 1987**

[54] **NAIL POLISH PEN WITH CUTICLE STICK**

[75] Inventor: **George W. Korper, Dickerson, Md.**

[73] Assignee: **Arche' Inc., Beltsville, Md.**

[**] Term: **14 Years**

[21] Appl. No.: **782,295**

[22] Filed: **Oct. 3, 1985**

[52] U.S. Cl. **D28/57; D19/51**

[58] Field of Search **D28/7, 99, 56-62; 132/1 R, 88.5, 88.7, 73-76.5, DIG. 3; D19/43, 51**

[56] **References Cited**

U.S. PATENT DOCUMENTS

- D. 113,776 3/1939 Whitehouse D28/58
- D. 116,216 8/1939 Brekke D28/57

- D. 273,143 3/1984 Jankewitz D28/57
- D. 273,144 3/1984 Jankewitz D28/57
- 2,541,459 2/1951 Bernard 132/75.3
- 3,130,433 4/1964 John D28/57 X

Primary Examiner—Louis S. Zarfaz

Attorney, Agent, or Firm—Shoemaker and Mattare, Ltd.

[57] **CLAIM**

The ornamental design for a nail polish pen with cuticle stick, substantially as shown and described.

DESCRIPTION

FIG. 1 is a perspective view of a nail polish pen with cuticle stick showing my new design; FIG. 2 is a top plan view thereof; FIG. 3 is a side plan view thereof; FIG. 4 is an end view thereof; and FIG. 5 is an end view thereof.

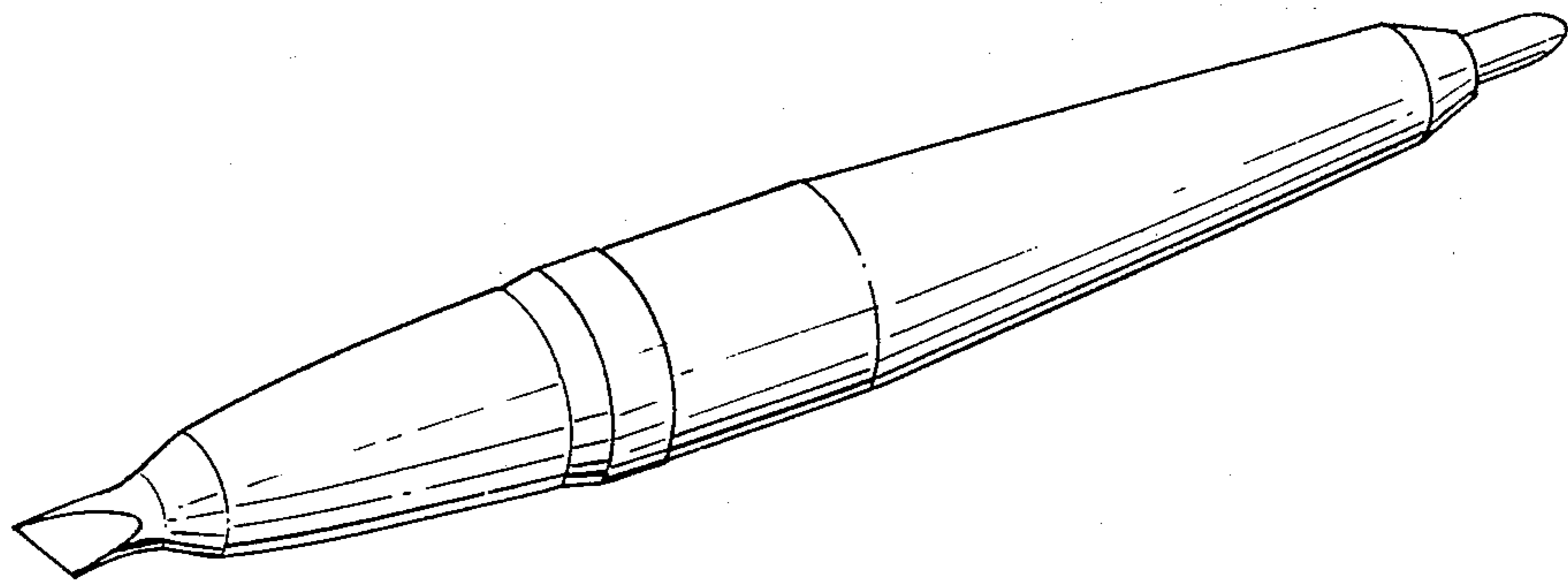


FIG. 1.

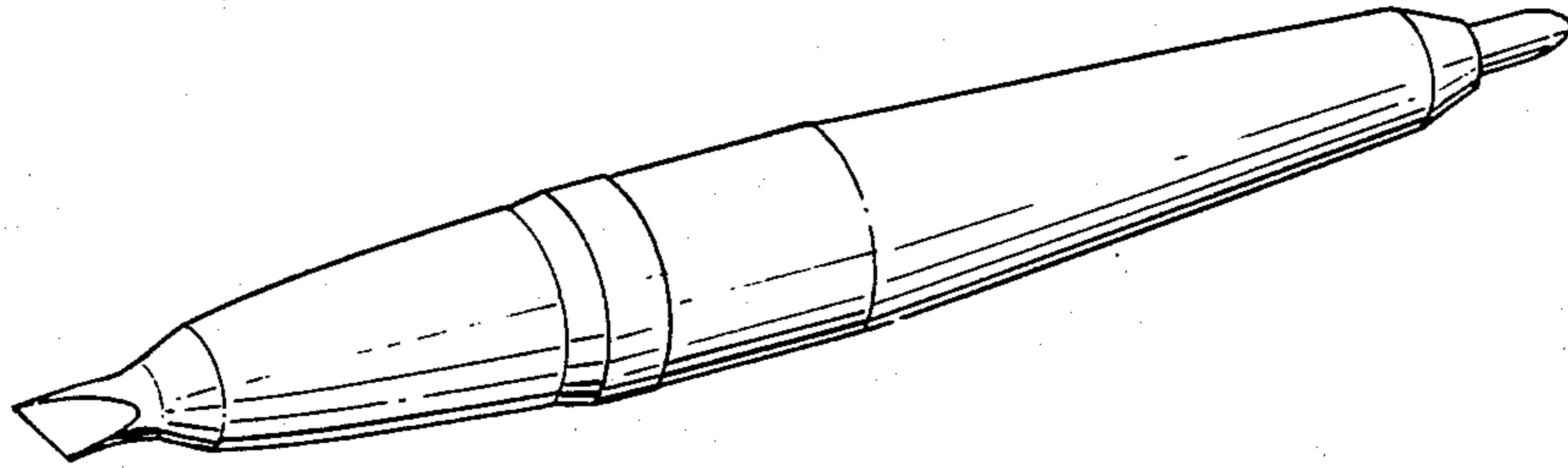


FIG. 2.

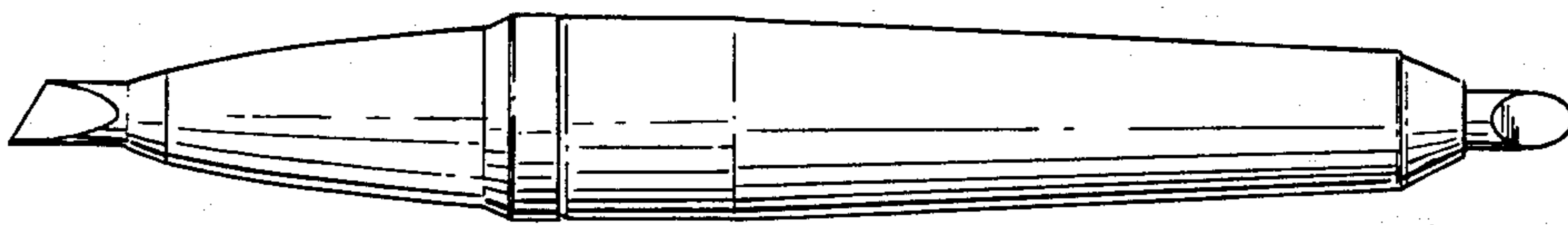


FIG. 3.

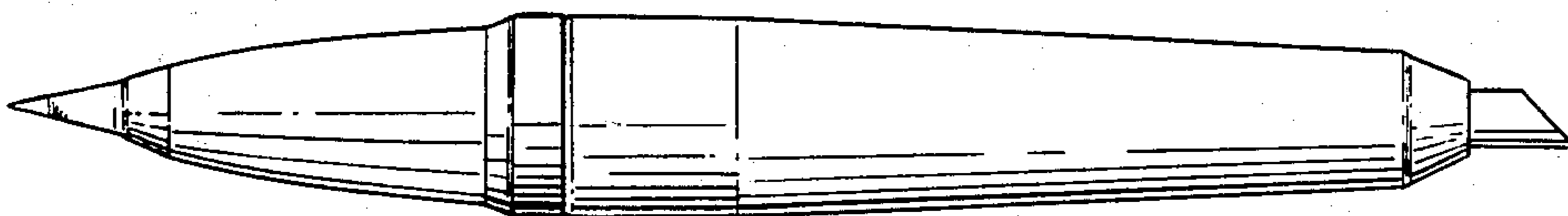


FIG. 4.

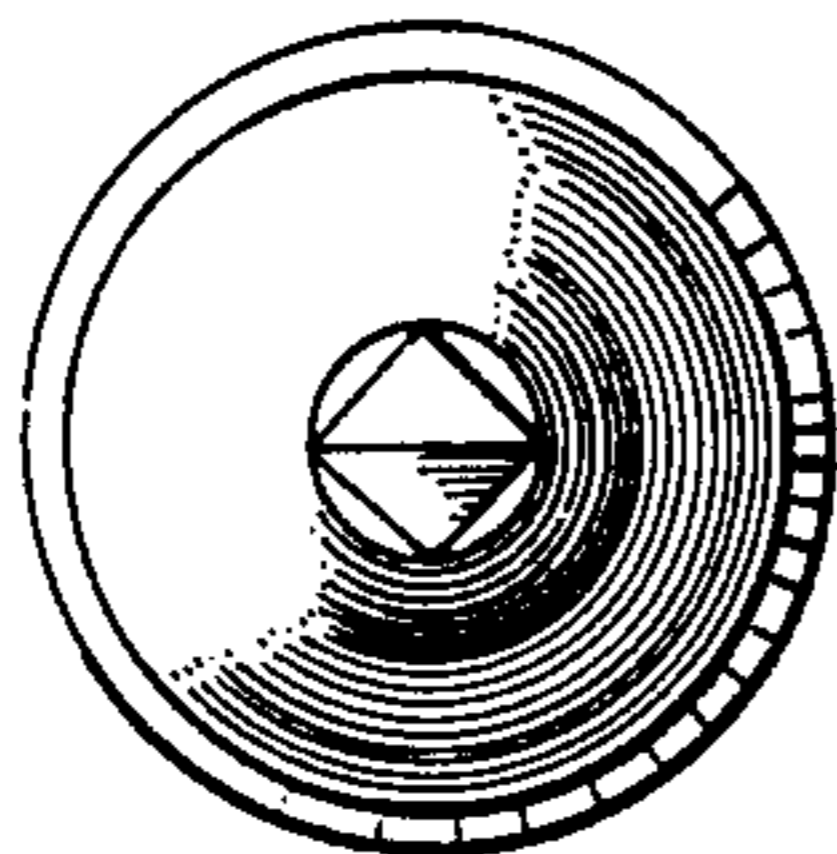


FIG. 5.

