

[54] **FILTER HOLDER**

[75] Inventors: **John A. Letchford, Enfield; Alex L. Halberstadt, London, both of England**

[73] Assignee: **THORN EMI plc, London, England**

[**] Term: **14 Years**

[21] Appl. No.: **629,433**

[22] Filed: **Jul. 10, 1984**

[30] **Foreign Application Priority Data**

Feb. 3, 1984 [GB] United Kingdom 1017705

[52] **U.S. Cl.** **D26/118**

[58] **Field of Search** **D23/4, 149; D26/118, D26/123-124, 138, 140, 152, 26, 36, 60-61, 63, 65, 85; 350/528-529, 574, 245, 251-252, 318; 351/233-234, 245; 353/84; 354/286, 289.11; 362/257, 268, 440, 455, 457; D8/354; D16/136**

[56] **References Cited**

U.S. PATENT DOCUMENTS

- D. 220,119 3/1971 Glickman et al. D26/60
- D. 250,911 1/1979 McJunkin, Jr. D26/36
- D. 250,968 1/1979 Combest D26/152
- D. 271,043 10/1983 Parker D26/63

- D. 286,444 10/1986 Jankowski et al. D26/65
- 2,962,583 11/1960 Balsler D26/63 X
- 3,871,752 3/1975 Habinger 350/251 X

OTHER PUBLICATIONS

Display World-Dec. 1961, p. 16-Lighting Services Advertisement-Std. Spot #500-5.
Stonco Lighting catalogue-1972, p. 63-Baffle Accessory, No. 2059.

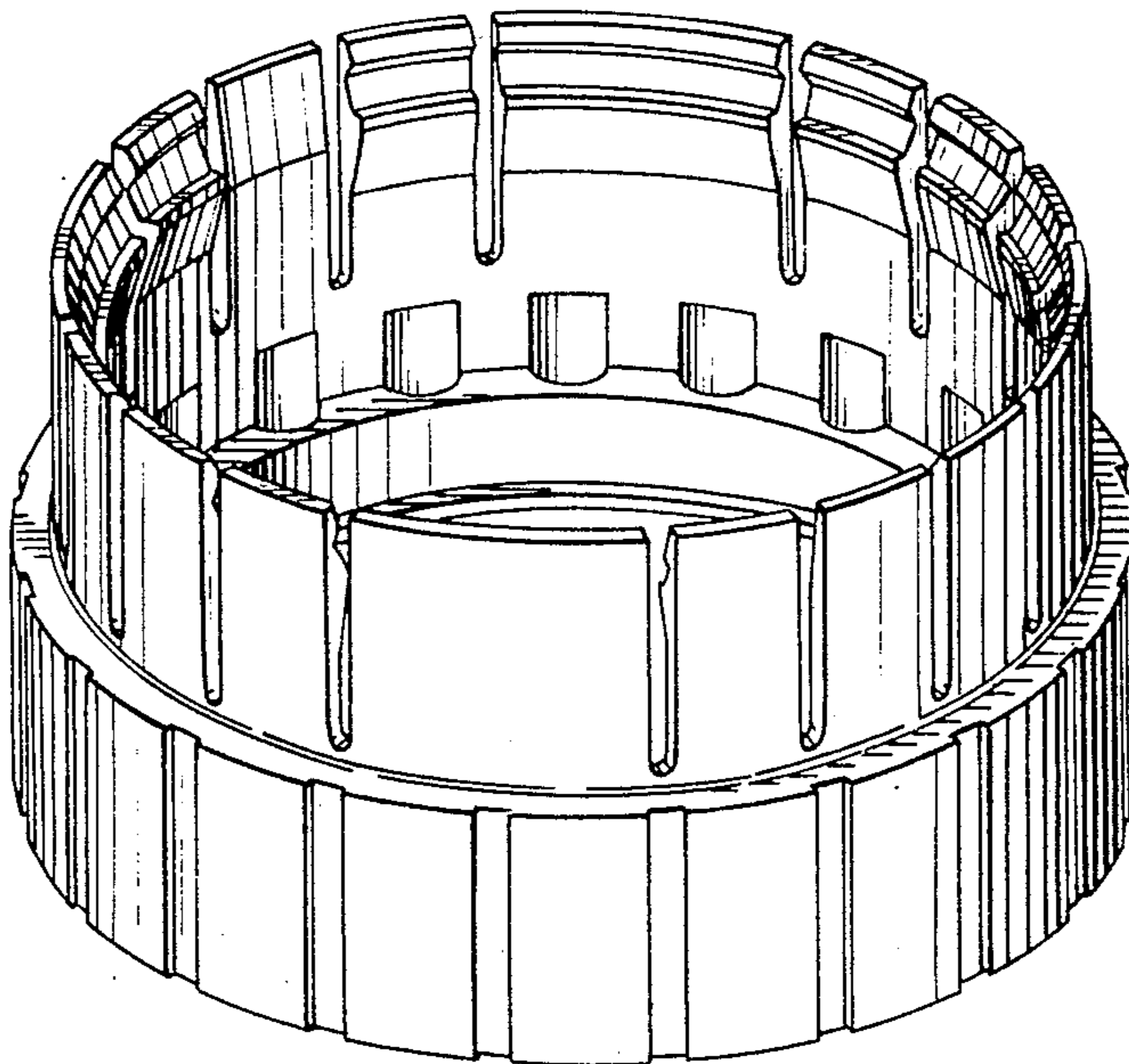
Primary Examiner—Wallace R. Burke
Assistant Examiner—Brian N. Vinson
Attorney, Agent, or Firm—Fleit, Jacobson, Cohn & Price

[57] **CLAIM**

The ornamental design for a filter holder, as shown and described.

DESCRIPTION

FIG. 1 is a perspective view of a filter holder showing my new design;
FIG. 2 is a side elevational view thereof, the opposite and adjacent sides being substantially the same in appearance;
FIG. 3 is a top plan view thereof;
FIG. 4 is a bottom plan view thereof;
FIG. 5 is a vertical sectional view thereof, taken along line AA of FIG. 3.



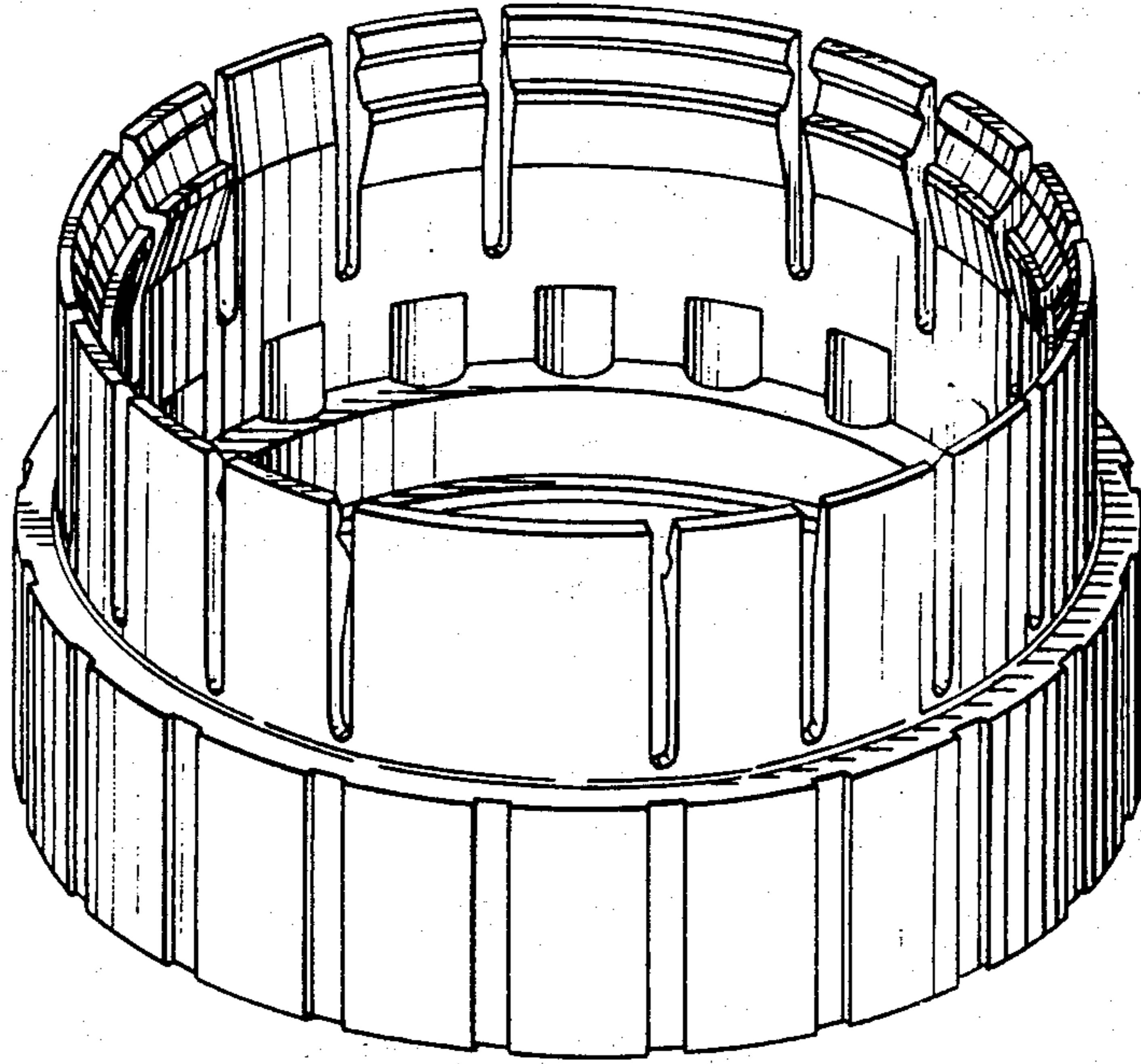


FIG. 1

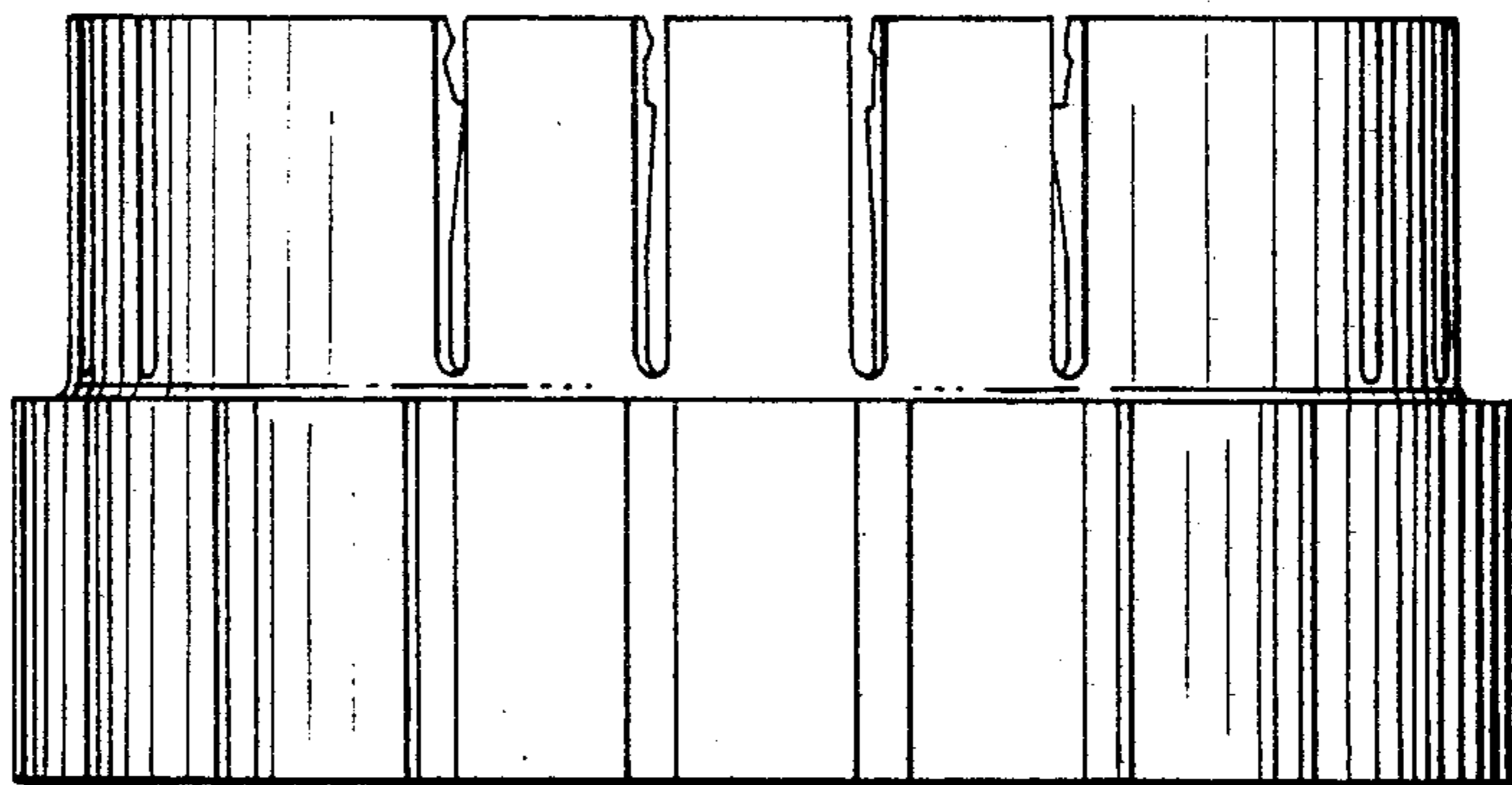


FIG. 2

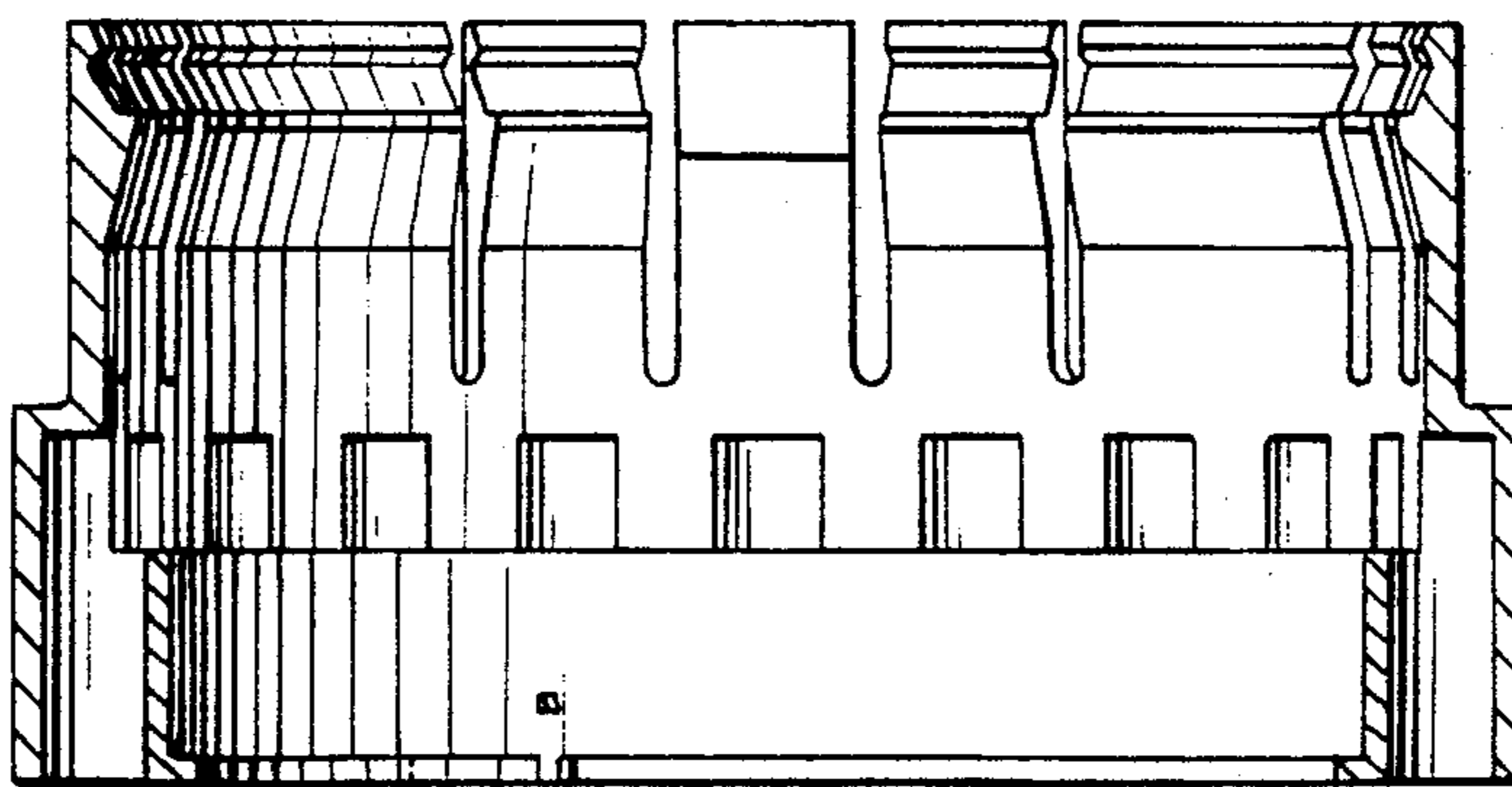


FIG. 5

