

[54] LAMP BASE

[75] Inventor: Terry Manton, Clifton, N.J.

[73] Assignee: Westwood Lighting Group, Inc., Paterson, N.J.

[\*\*] Term: 14 Years

[21] Appl. No.: 728,903

[22] Filed: Apr. 30, 1985

[52] U.S. Cl. .... D26/110; D26/58

[58] Field of Search ..... D26/93, 102-112, D26/58; 362/410-414, 431; 248/158; 362/127

[56] References Cited

U.S. PATENT DOCUMENTS

D. 173,339 11/1954 Cole ..... D26/110

OTHER PUBLICATIONS

Best Catalog, 1983/84, p. 305, Gallery Tray Floor Lamp #25.

Home Lighting & Accessories, p. 31, Floor Lamp, top, left.

Trilite Co. Advertisement, Floor Lamp (right) and (left).

Primary Examiner—Susan J. Lucas  
Attorney, Agent, or Firm—Blum Kaplan

[57] CLAIM

The ornamental design for a lamp base, as shown and described.

DESCRIPTION

FIG. 1 is a front perspective view of a lamp base showing my new design;

FIG. 2 is a front elevational view thereof on an enlarged scale, the sides and rear being identical thereto;

FIG. 3 is a top plan view thereof on an enlarged scale;

FIG. 4 is a bottom plan view thereof on an enlarged scale.

The standard is broken away in FIG. 2 for convenience of illustration.

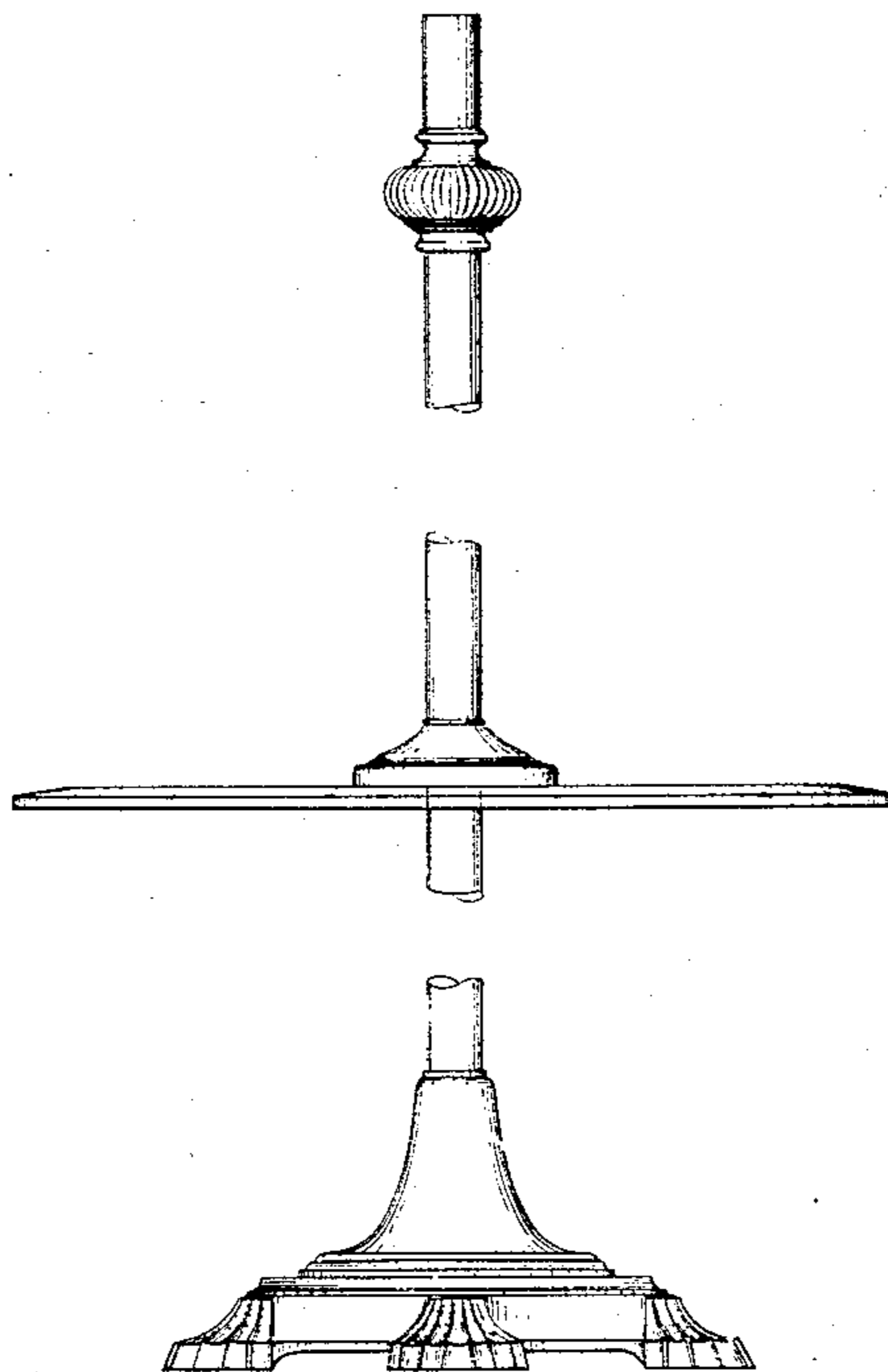


FIG. 1

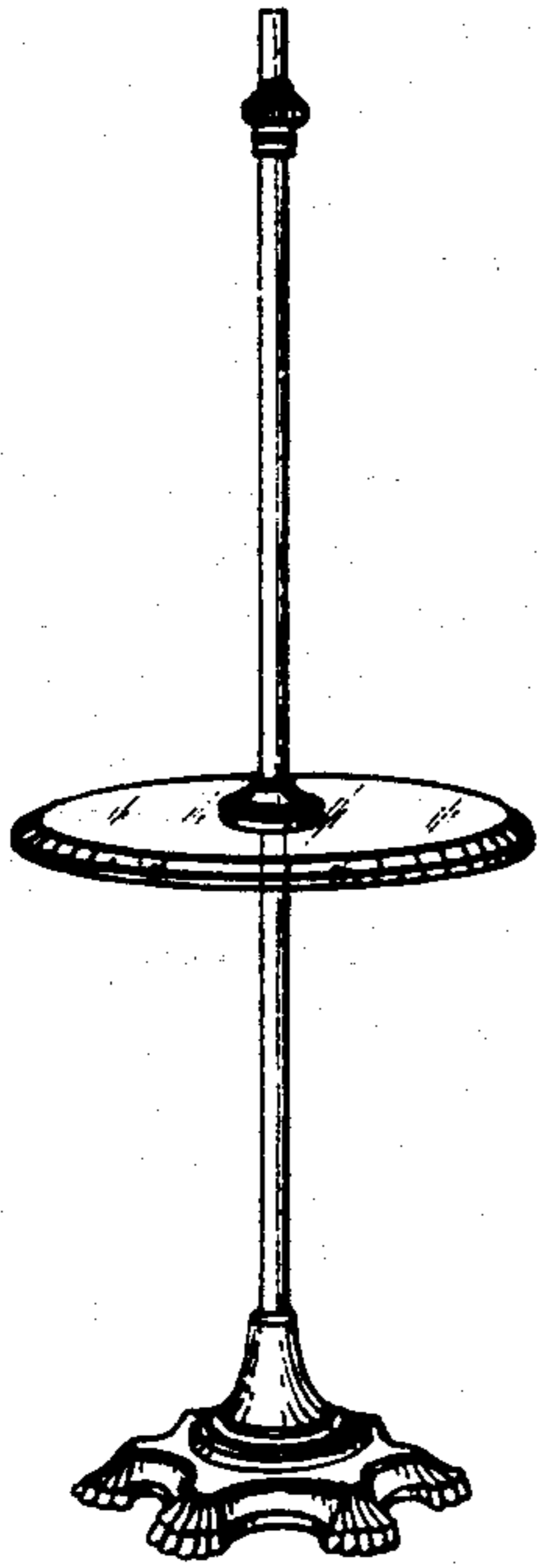
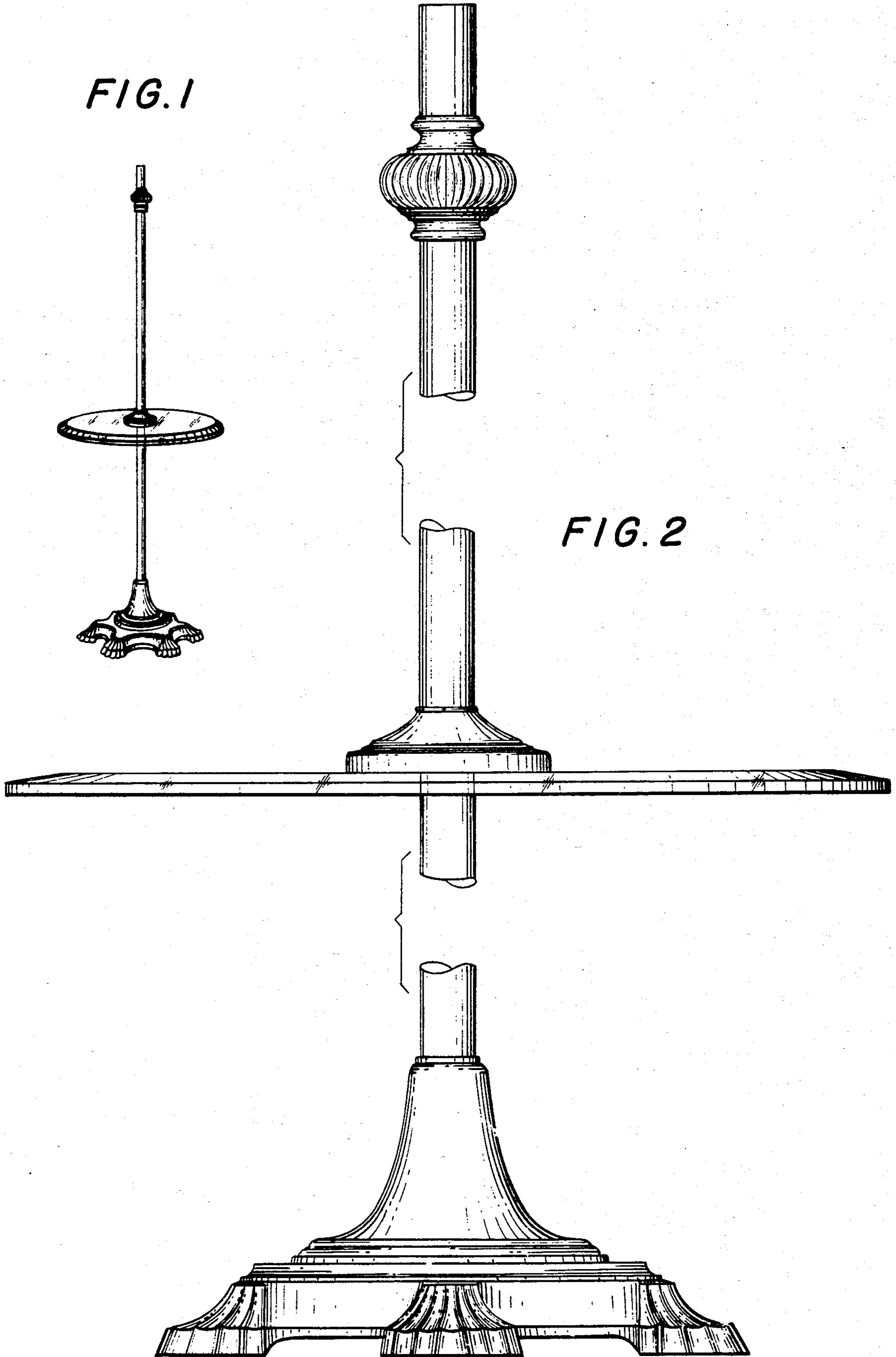
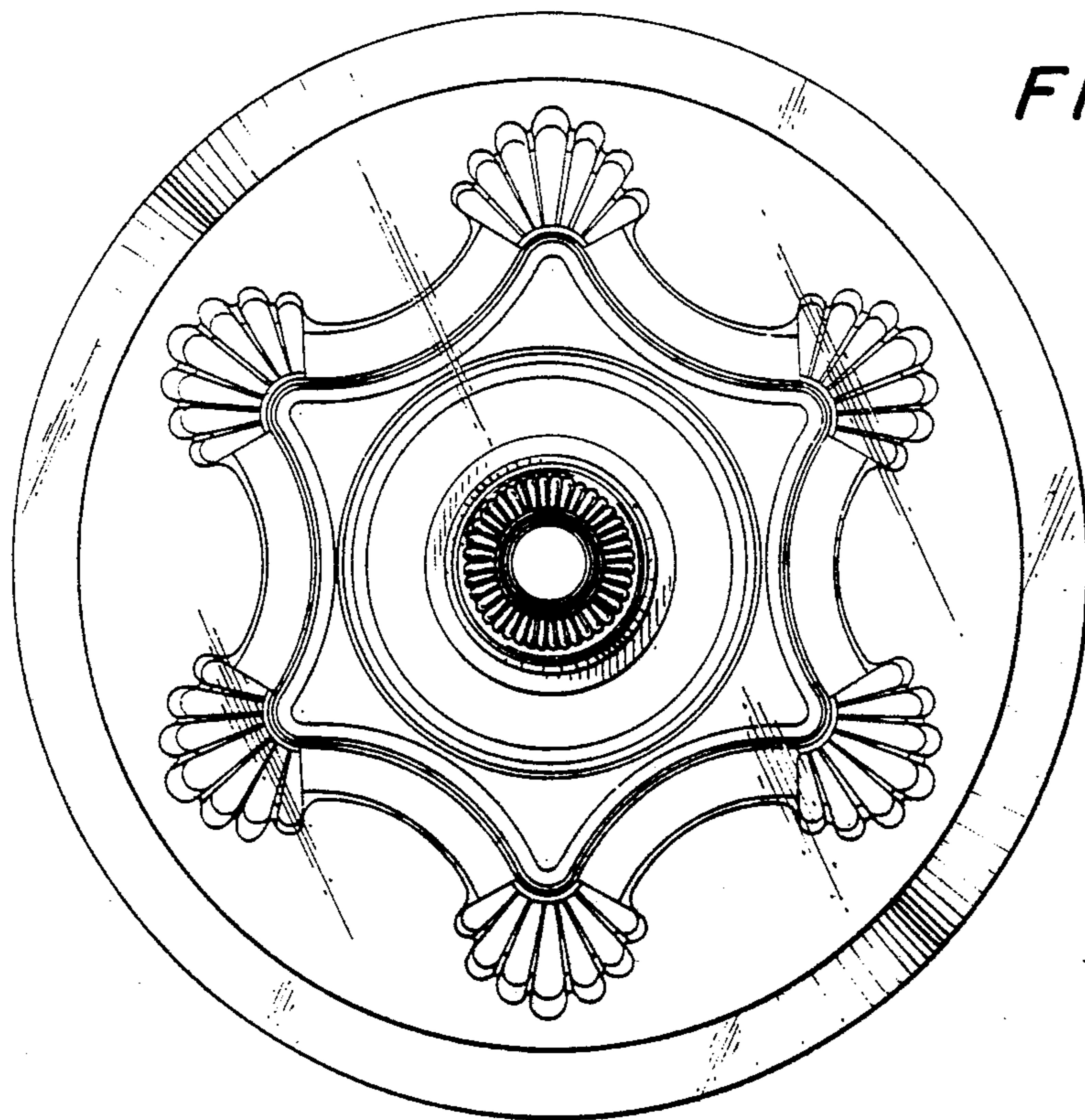


FIG. 2





**FIG. 3**

**FIG. 4**

