

[54] SPOT LAMP

[75] Inventor: Rudiger Schmidt, Bremen, Fed. Rep. of Germany

[73] Assignee: Ahlemann & Schlatter GmbH, Fed. Rep. of Germany

[**] Term: 14 Years

[21] Appl. No.: 658,319

[22] Filed: Oct. 5, 1984

[52] U.S. Cl. D26/87

[58] Field of Search D26/72, 74, 80-92, D26/24, 61, 63, 65; 362/404, 408, 432, 362, 310, 311

[56] References Cited

U.S. PATENT DOCUMENTS

2,616,029 10/1952 Osowski 362/432 X

FOREIGN PATENT DOCUMENTS

885412 12/1961 United Kingdom 362/269

OTHER PUBLICATIONS

Architectural Record, 9-1972, p. 54, Mini Track Light. Form, 1982, p. 52, Spotlight.

L'Architecture D'Aujourd 'Hui, 6-1978, p. 105, Wall Lamp #7.

Primary Examiner—Susan J. Lucas
Attorney, Agent, or Firm—Allegretti, Newitt, Witcoff & McAndrews, Ltd.

[57] CLAIM

The ornamental design for the spot lamp, as shown and described.

DESCRIPTION

FIG. 1 is a perspective view of a spot lamp showing my new design;

FIG. 2 is a top plan view thereof;

FIG. 3 is a right side elevational view thereof, the left side being substantially a mirror image;

FIG. 4 is a front elevational view thereof;

FIG. 5 is a bottom plan view thereof; and

FIG. 6 is a rear elevational view thereof.

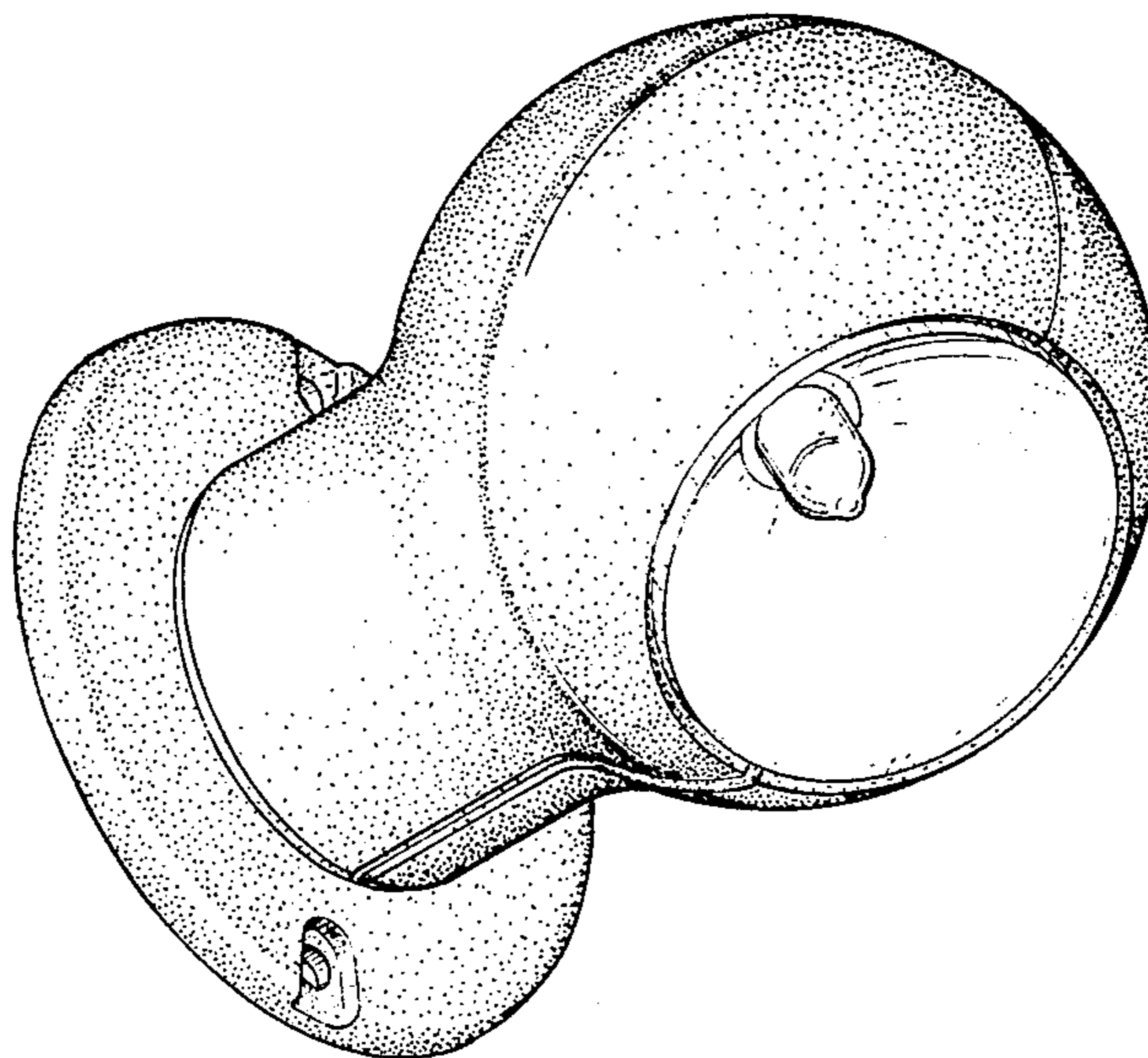


Fig. 1

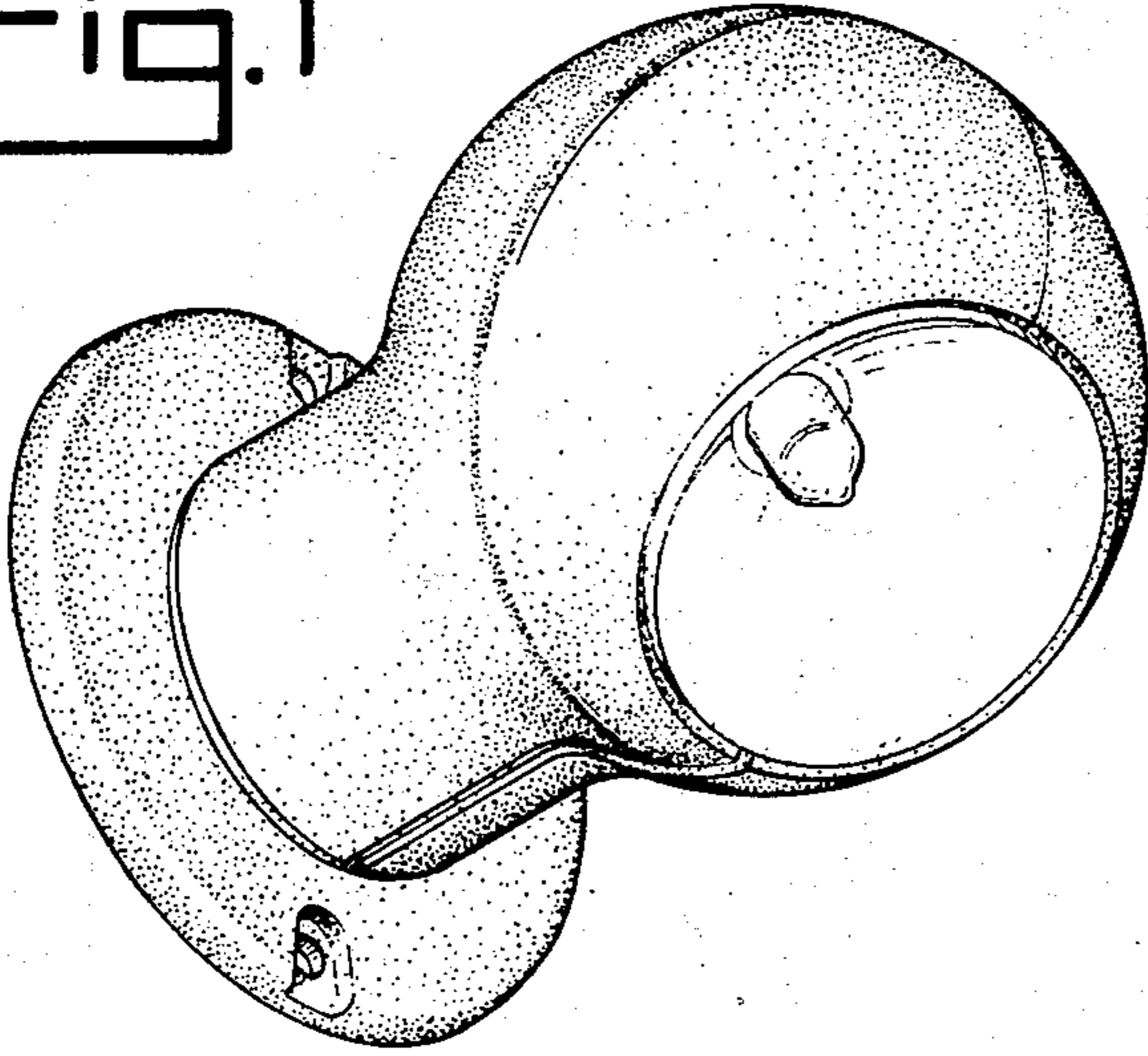


Fig. 2

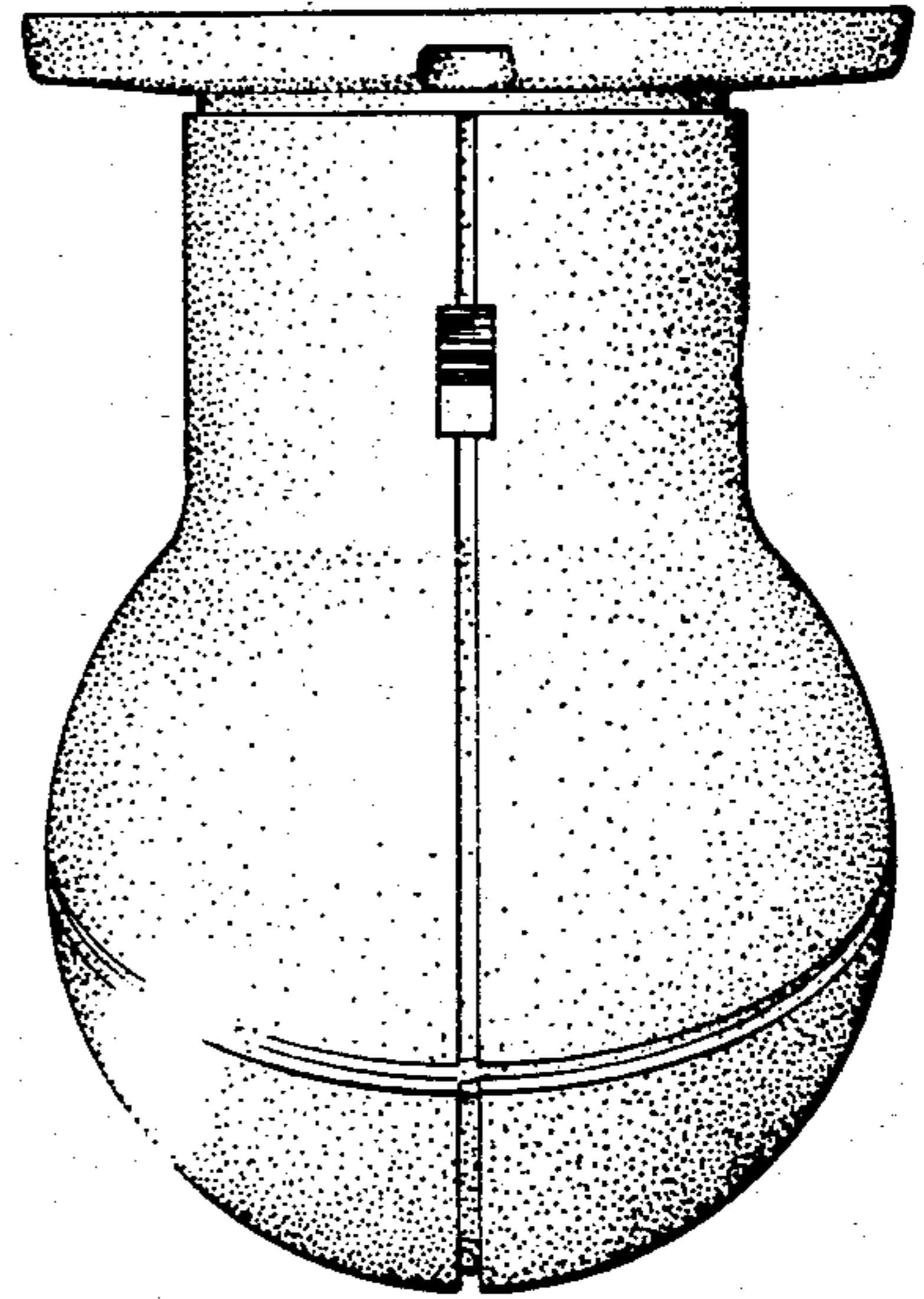


Fig. 3

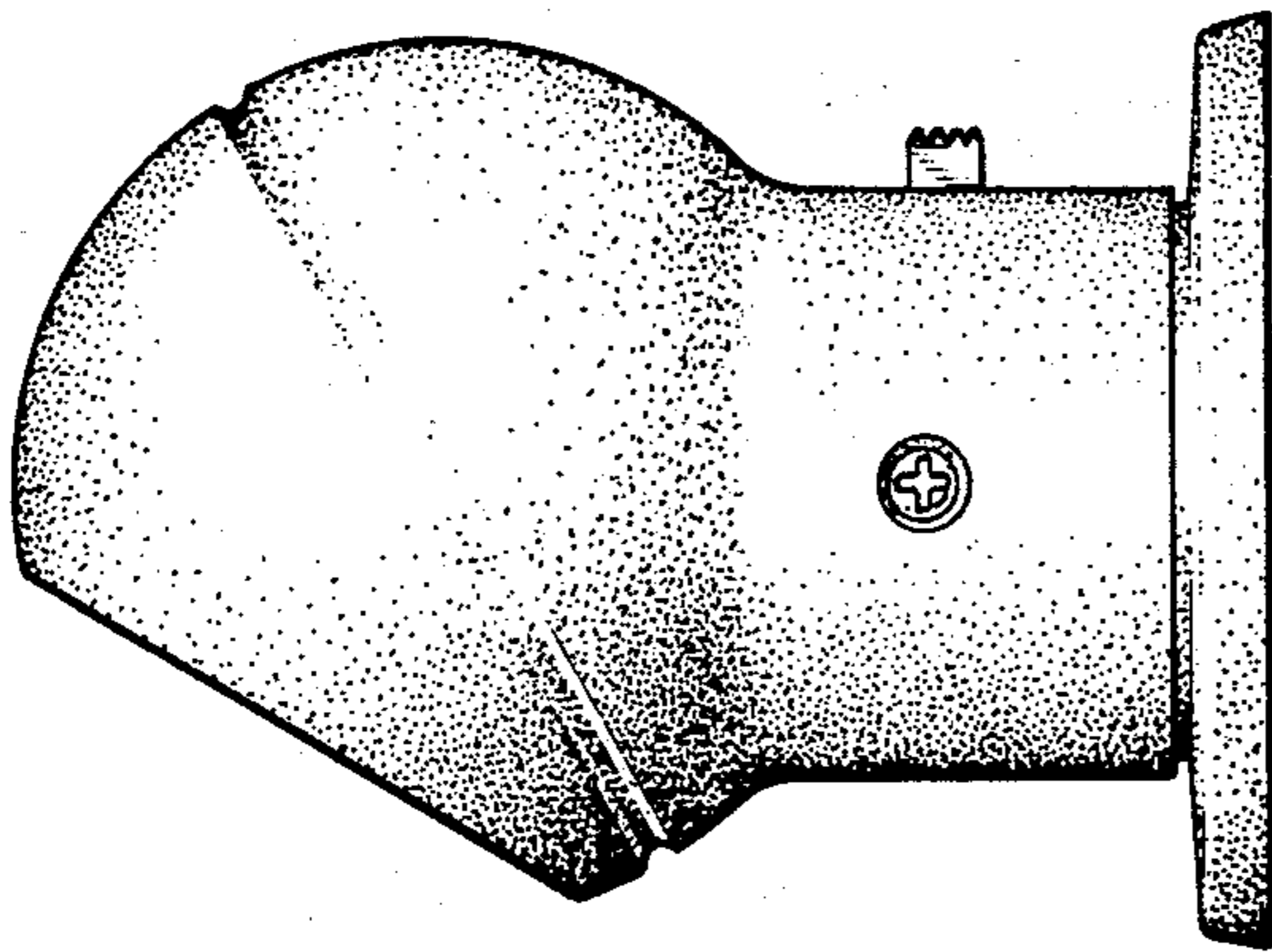


Fig. 4

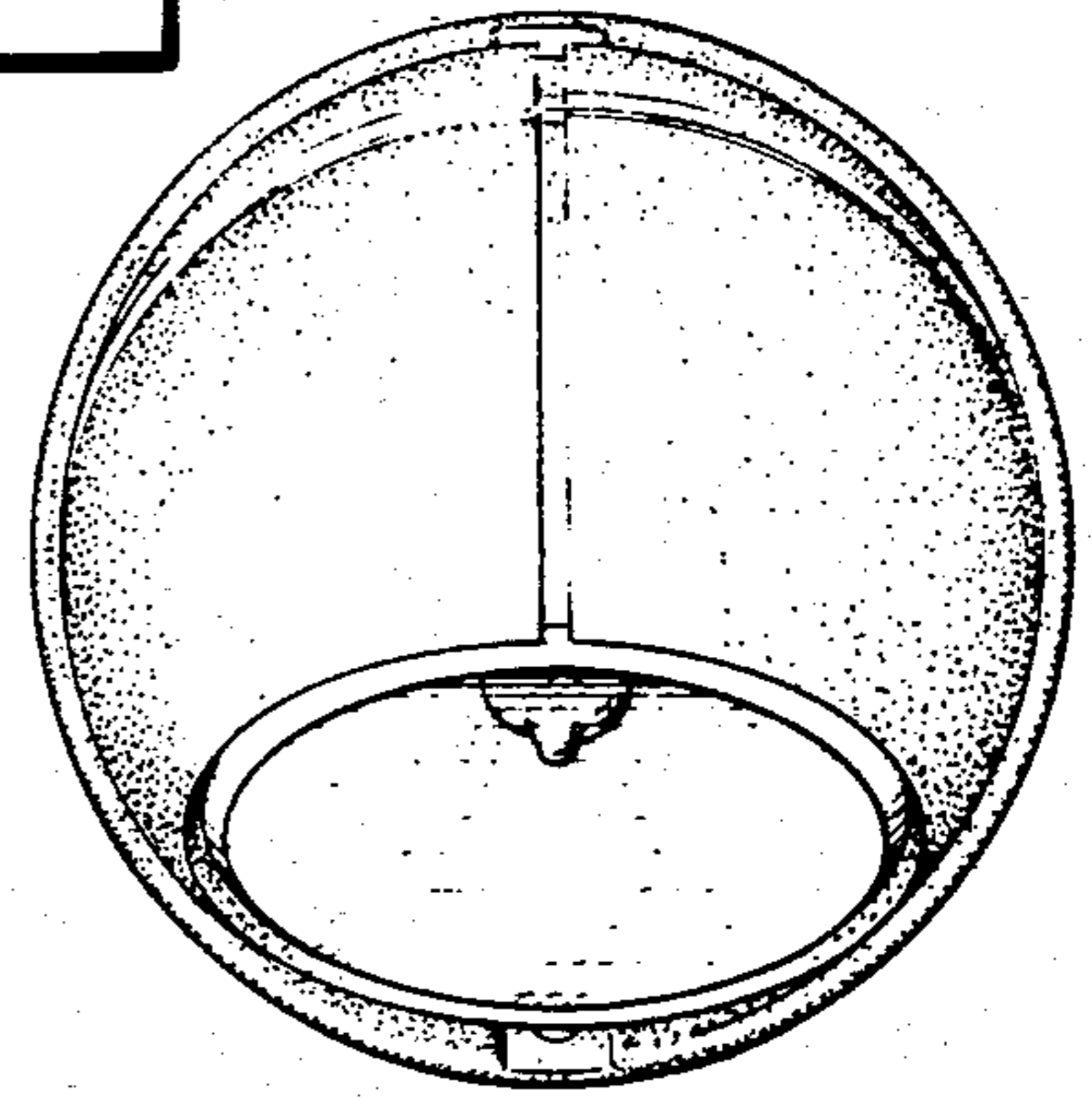


Fig. 5

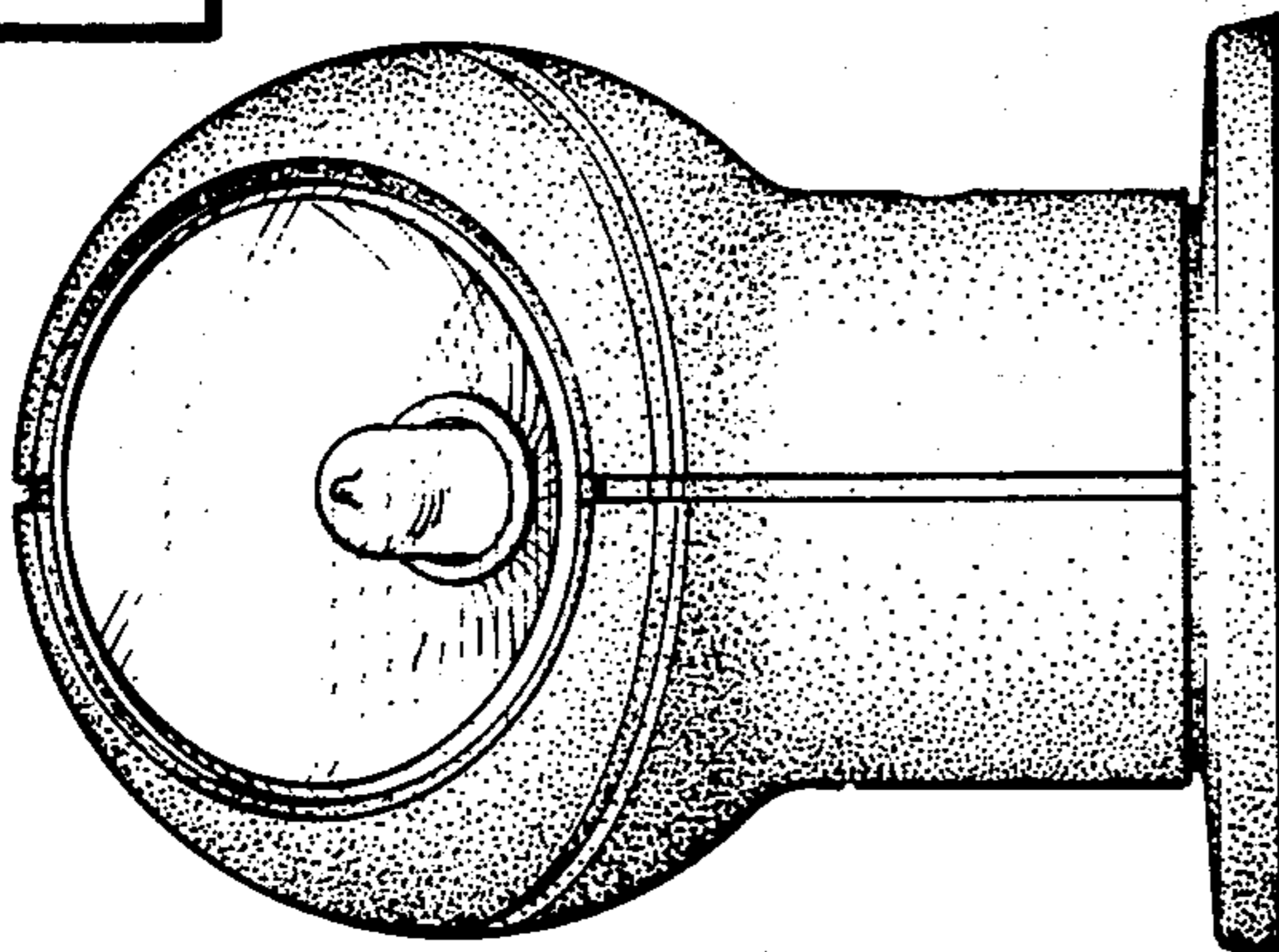


Fig. 6

