

[54] LUMINAIRE

[75] Inventors: Hendrik A. J. De Vos; Elzear R. Labouliere, both of Swansea, Mass.

[73] Assignee: GTE Products Corporation, Danvers, Mass.

[\*\*] Term: 14 Years

[21] Appl. No.: 655,187

[22] Filed: Sep. 28, 1984

[52] U.S. Cl. .... D26/63

[58] Field of Search ..... D26/24, 60-66, D26/67-71; 362/217, 218, 220, 269, 270, 275, 287, 418, 427, 362, 310, 311, 297

[56] References Cited

U.S. PATENT DOCUMENTS

D. 71,130	9/1926	Brady	.....	D26/63
D. 210,617	3/1968	Starr et al.	.....	D26/63
D. 270,481	9/1983	Whitright	.....	D26/24
3,562,509	2/1971	Kahl, Jr.	.....	362/310
4,323,953	4/1982	Hutchison	.....	D26/61 X

OTHER PUBLICATIONS

Appleton® Area Master™ Floodlight Flyer, 1980, Area Master 100 Floodlight. Electrical Consultant, 7/8-1977, p. 50, ASL Luminaire.

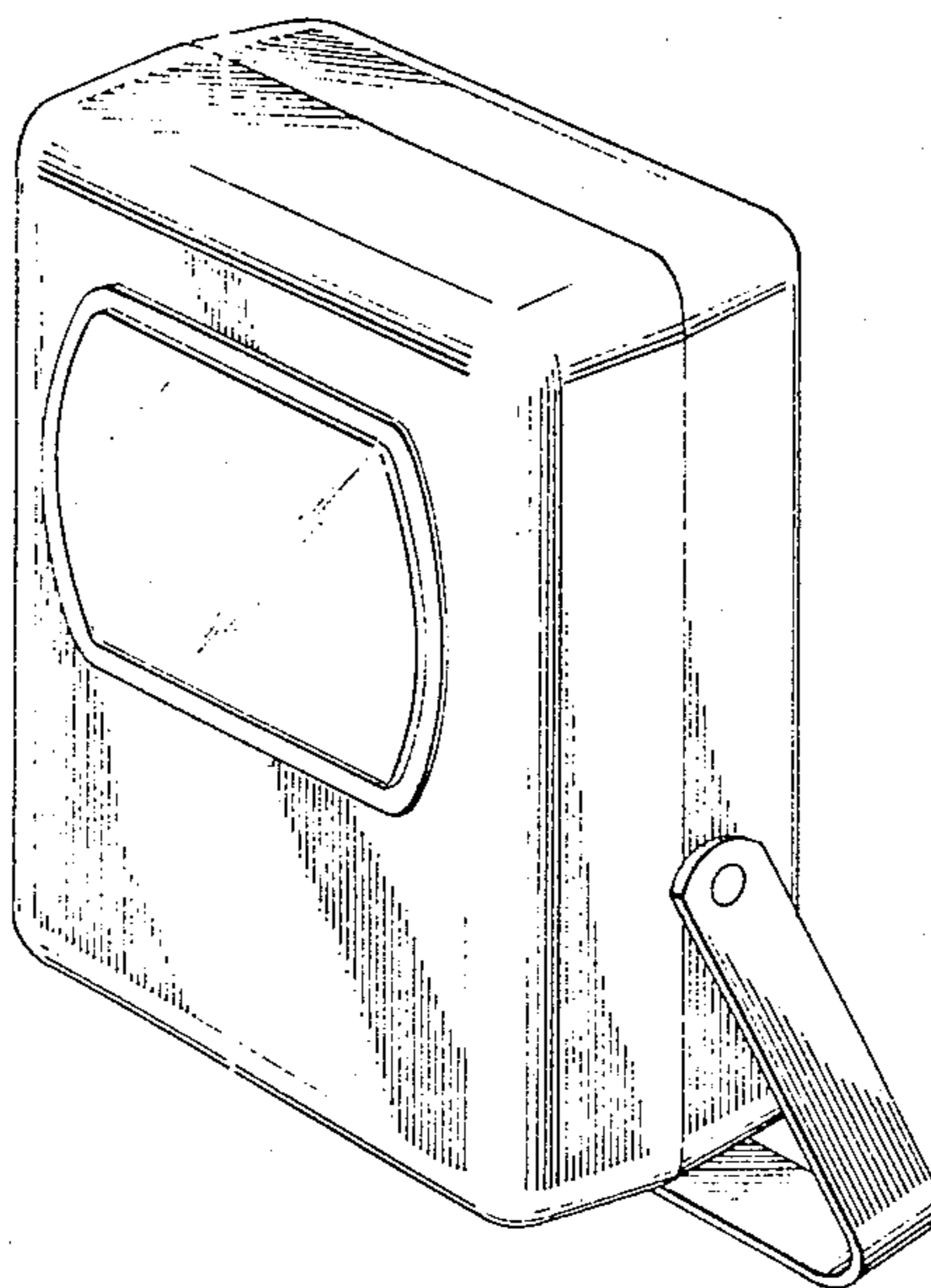
Primary Examiner—Susan J. Lucas  
Attorney, Agent, or Firm—Lawrence R. Fraley

[57] CLAIM

The ornamental design for a luminaire, or the like, substantially as shown and described.

DESCRIPTION

FIG. 1 is a front perspective view of a luminaire illustrating our new design;  
FIG. 2 is a front elevational view thereof;  
FIG. 3 is a rear elevational view thereof;  
FIG. 4 is a top plan view thereof;  
FIG. 5 is a bottom plan view thereof;  
FIG. 6 is a front perspective view of a second embodiment of our new design;  
FIG. 7 is a front elevational view thereof;  
FIG. 8 is a rear elevational view thereof;  
FIG. 9 is a top plan view thereof;  
FIG. 10 is a bottom plan view thereof;  
FIG. 11 is an elevational view of the side of the first embodiment opposite that shown in FIG. 1;  
FIG. 12 is an elevational view of the side of the second embodiment opposite that shown in FIG. 6.



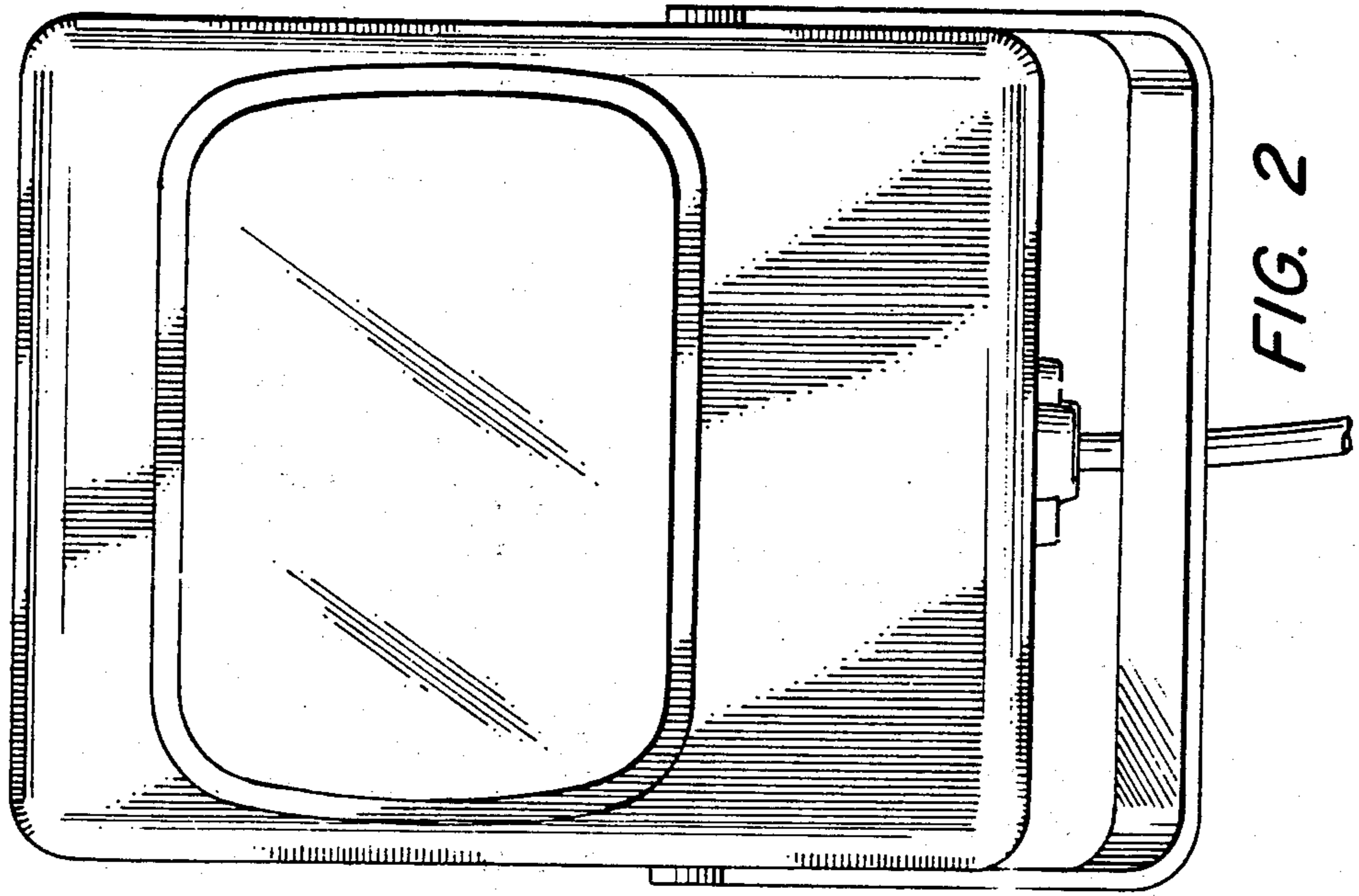


FIG. 2

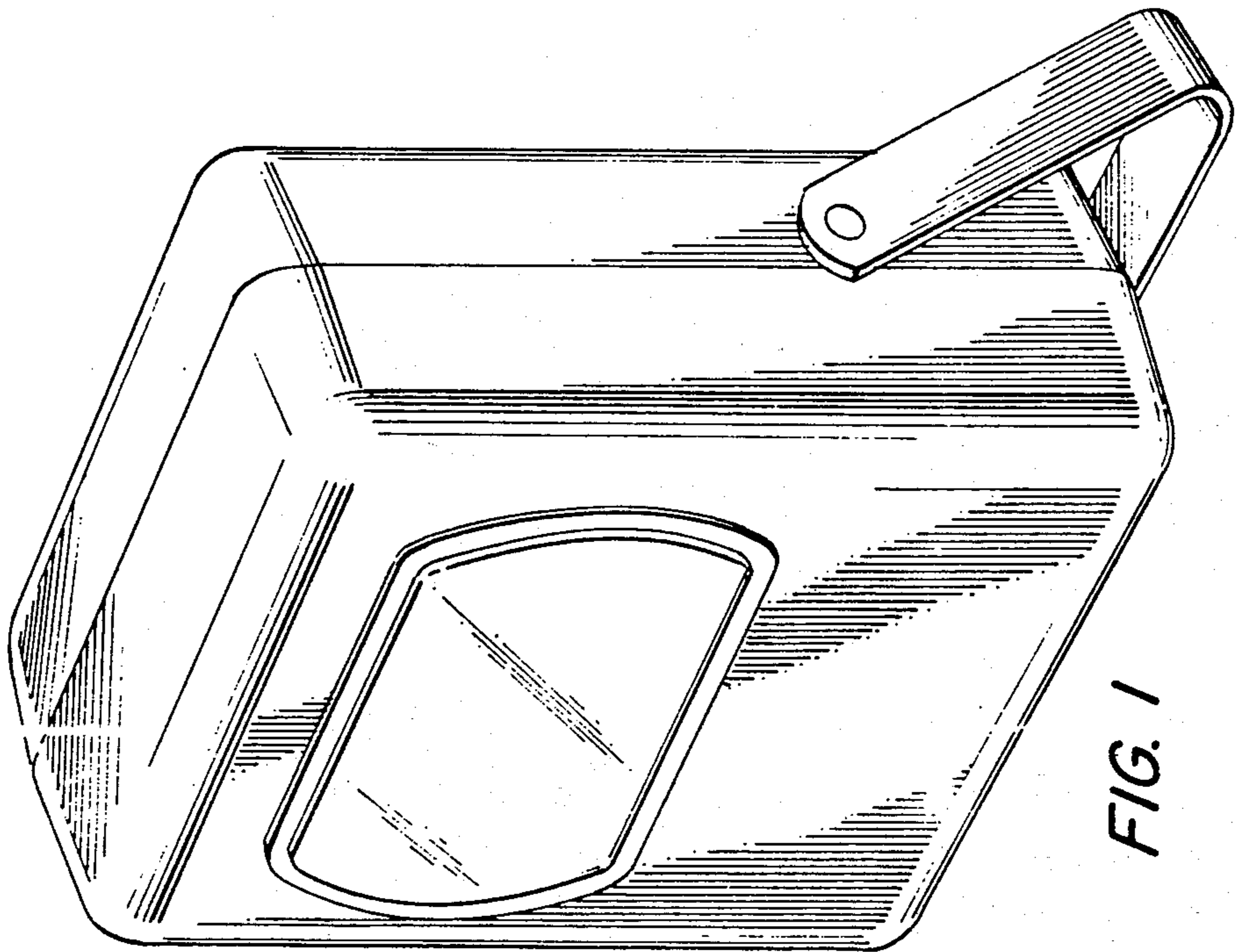


FIG. 1

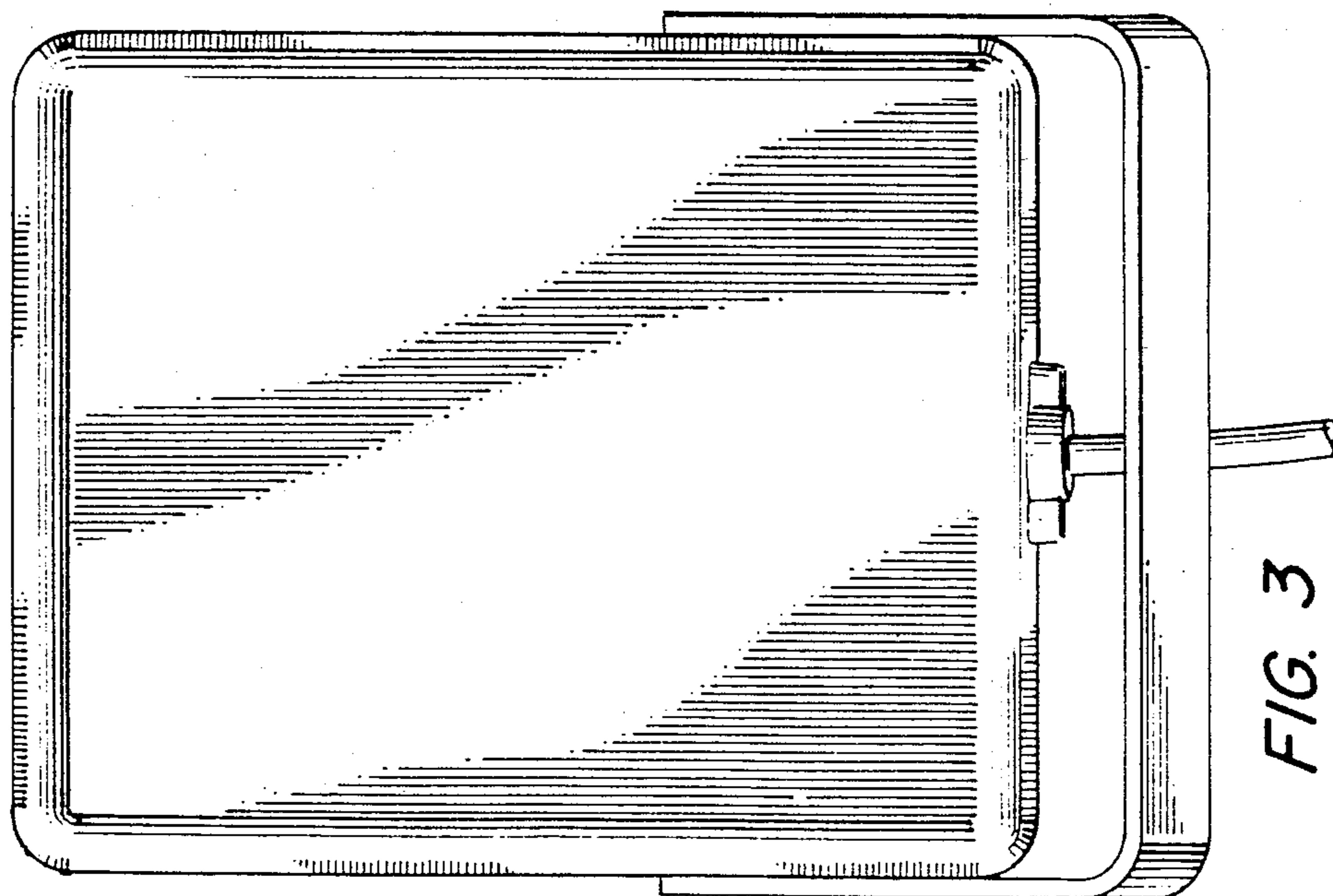


FIG. 3

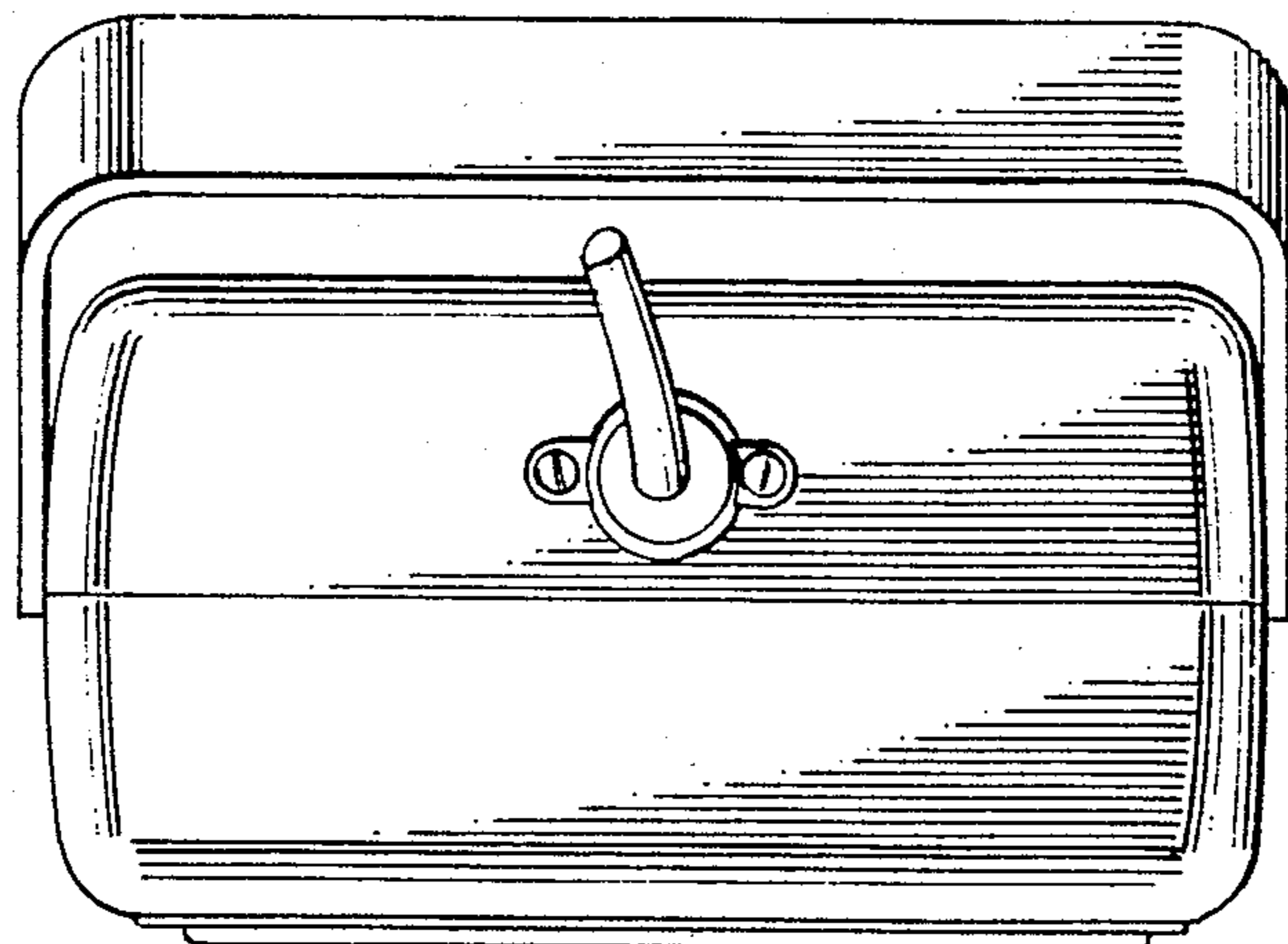


FIG. 5

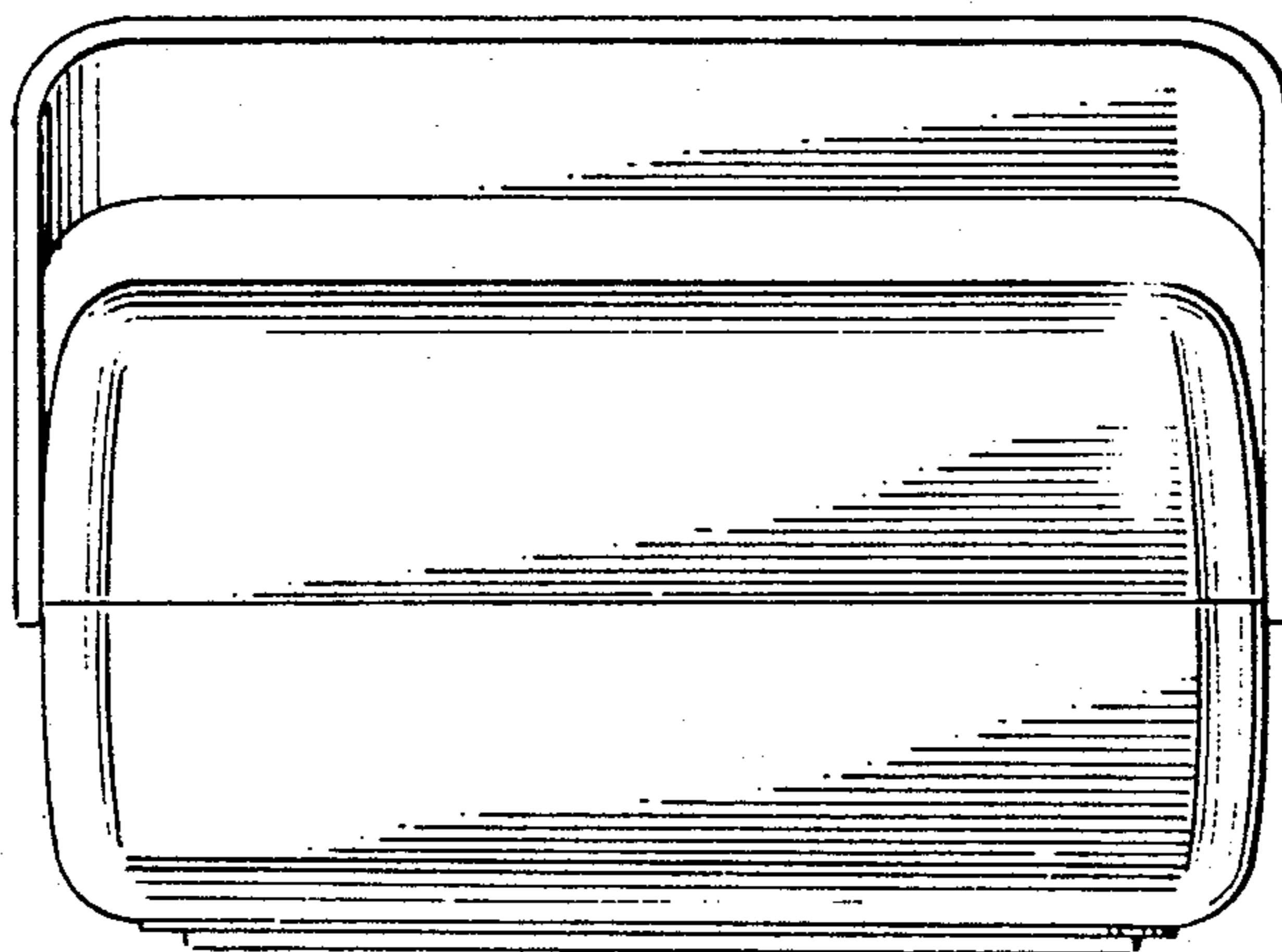


FIG. 4

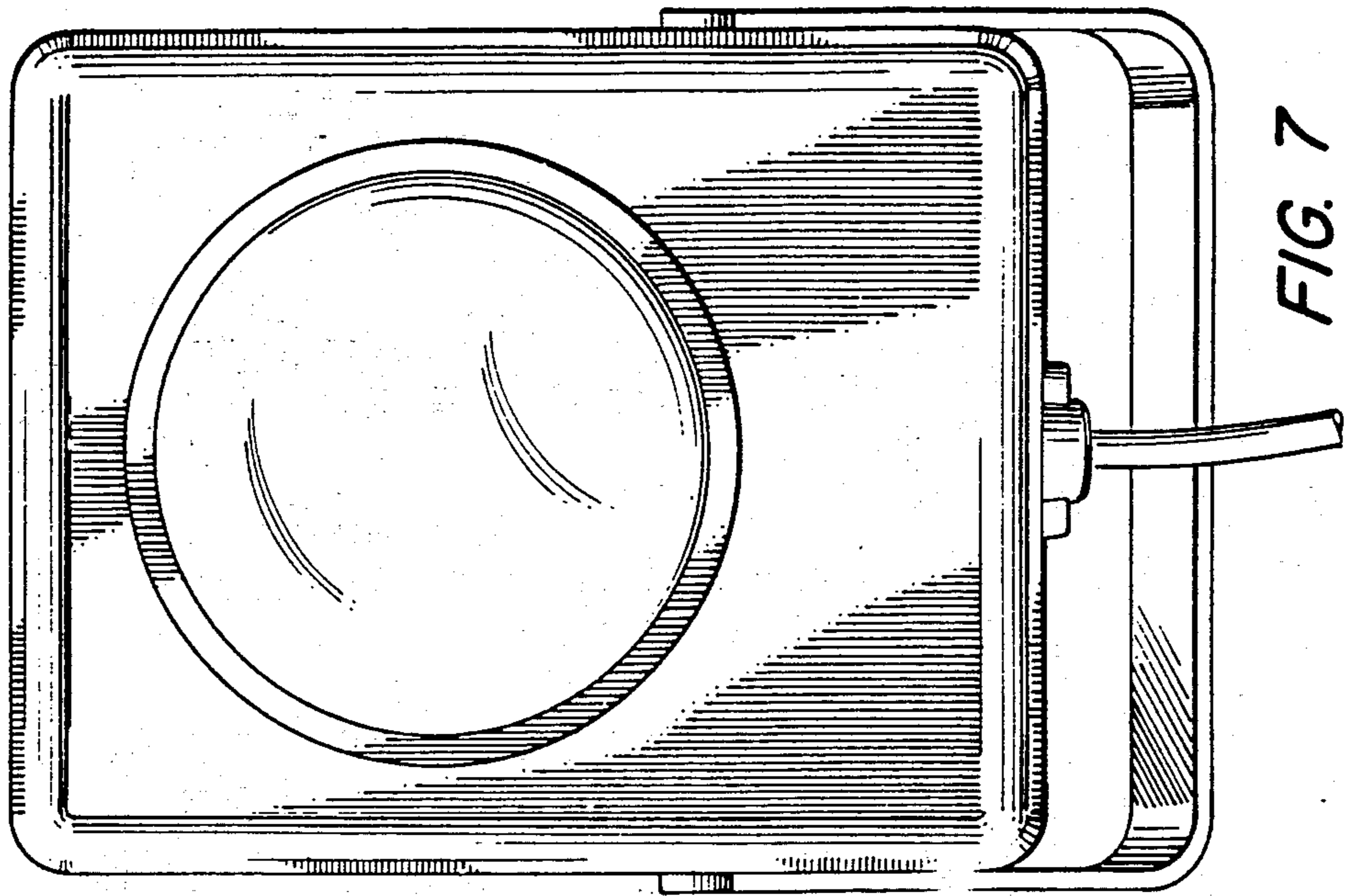


FIG. 7

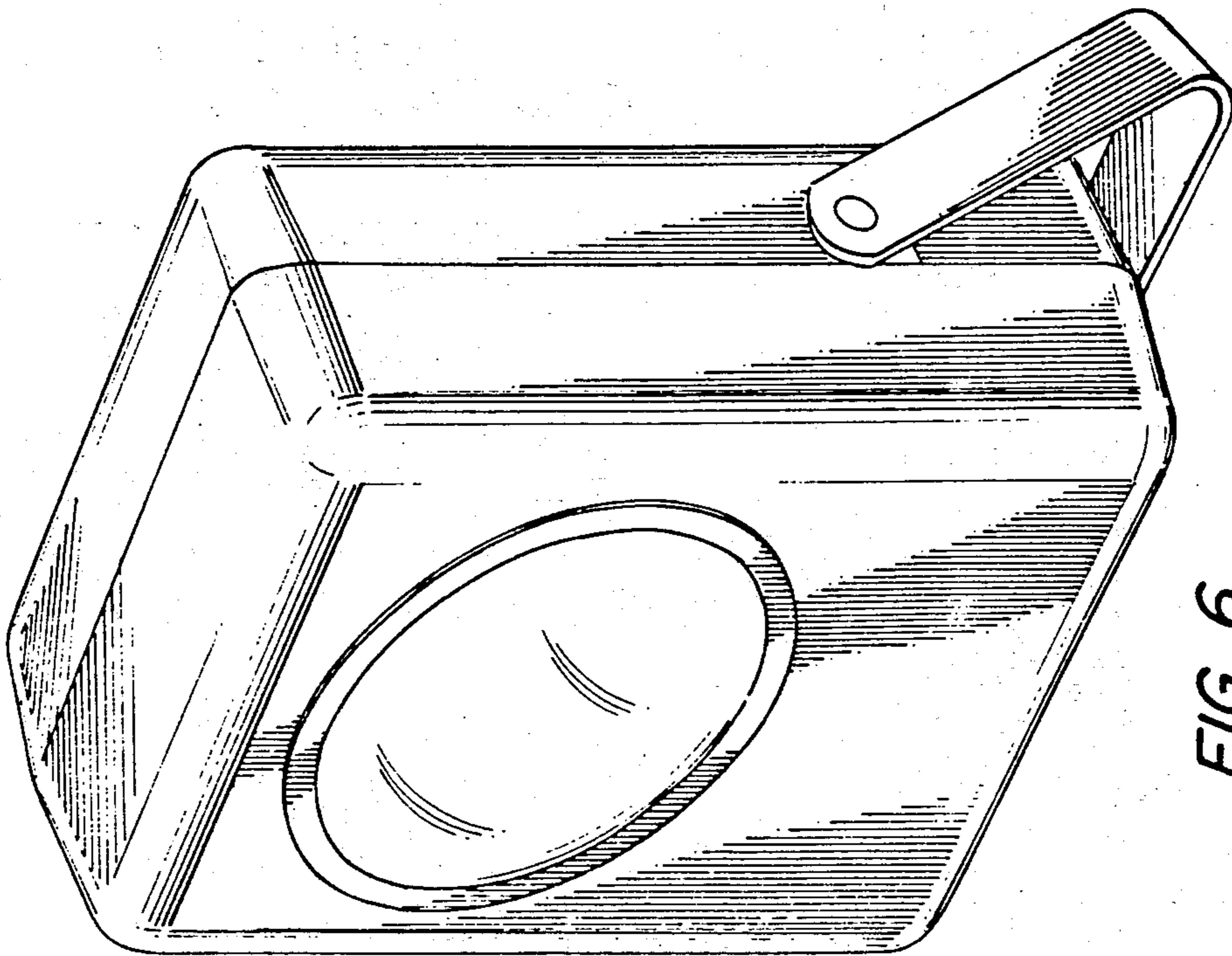


FIG. 6

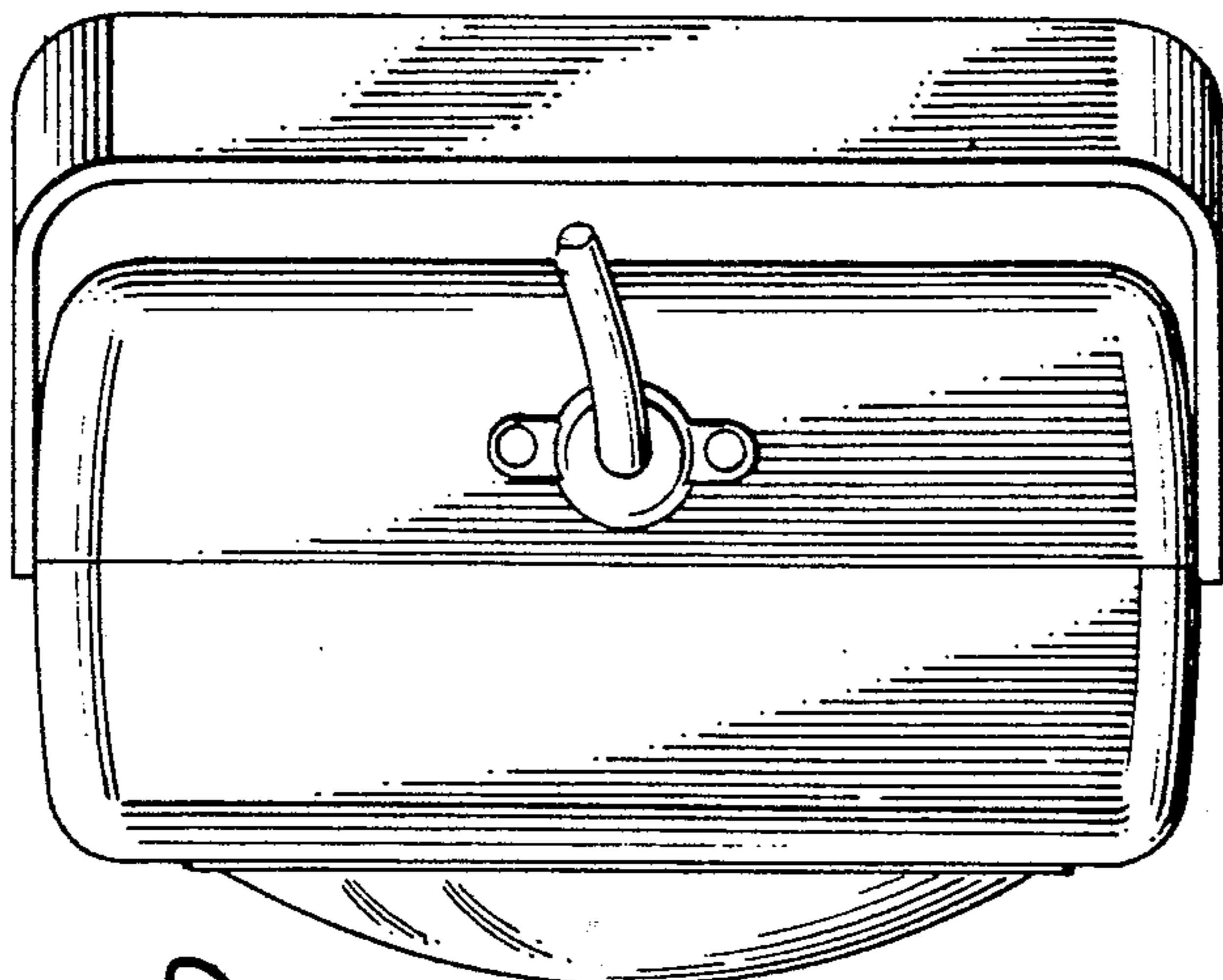


FIG. 10

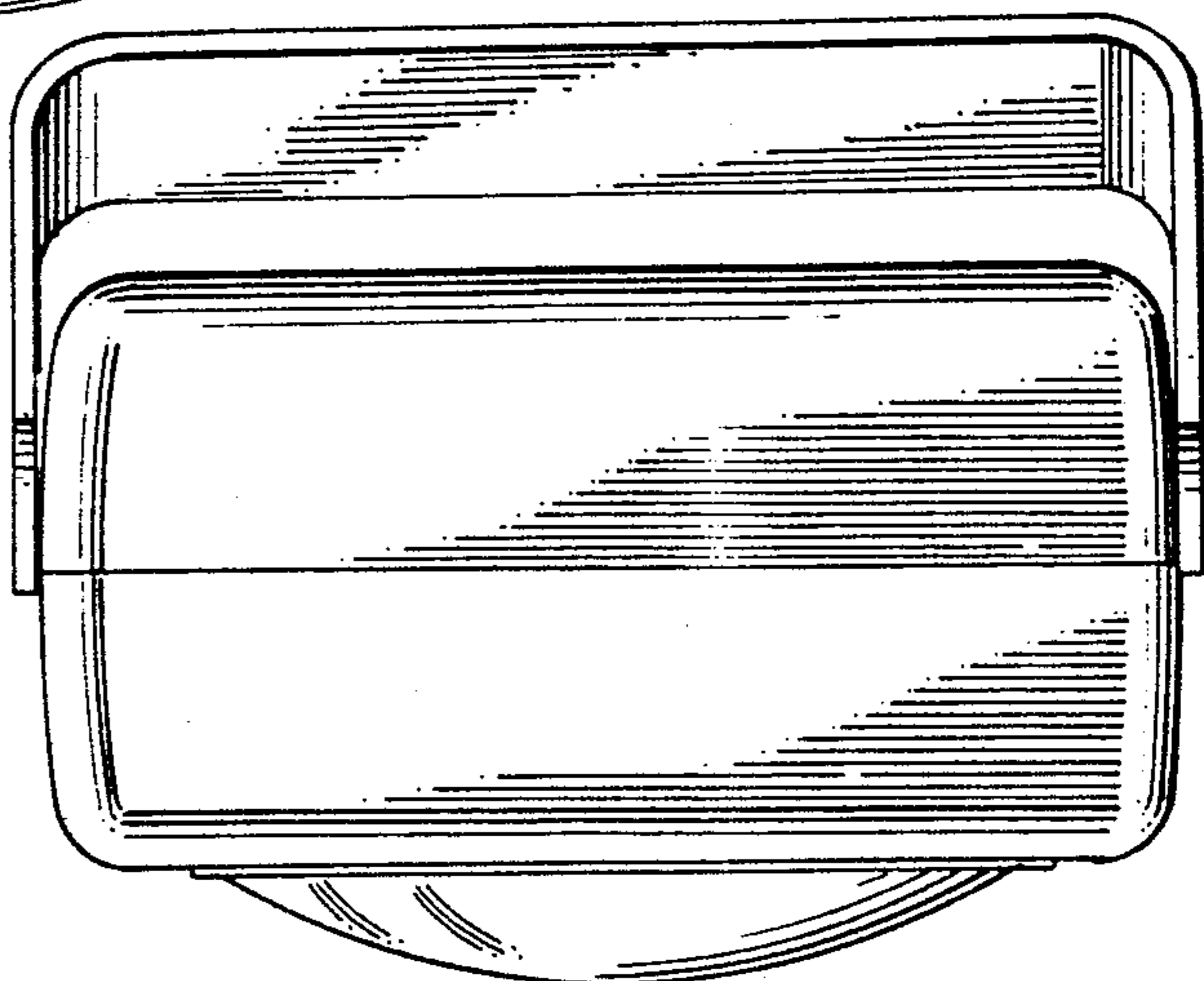


FIG. 9

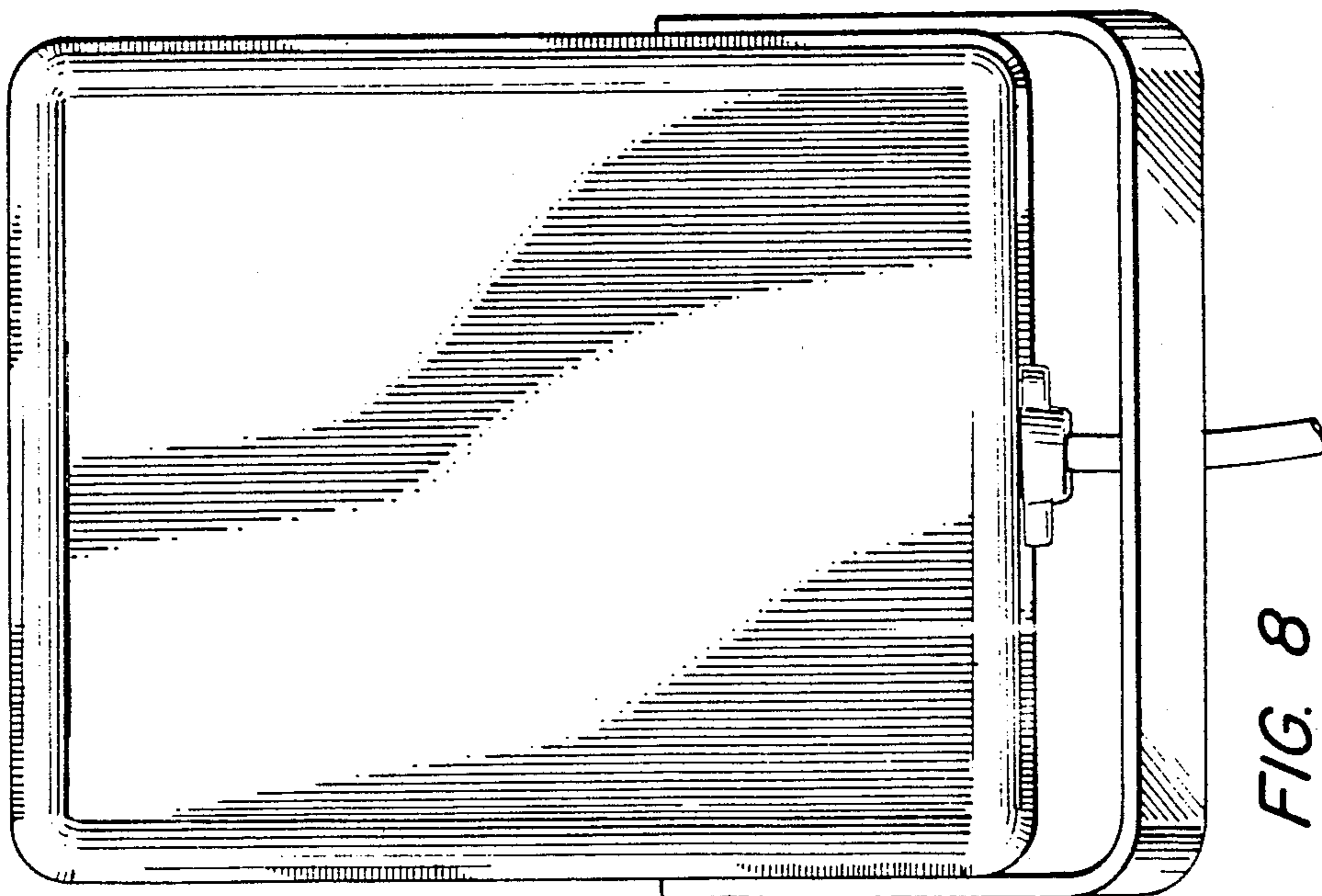


FIG. 8

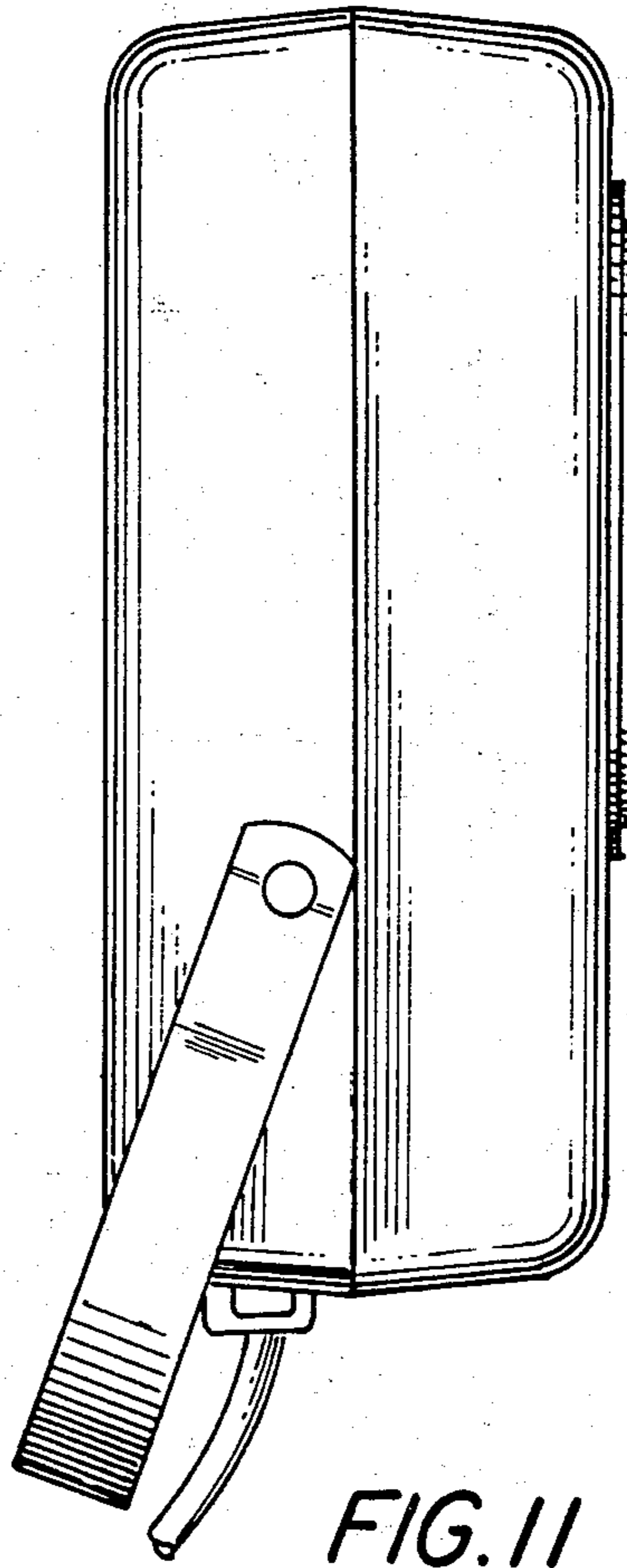


FIG. 11

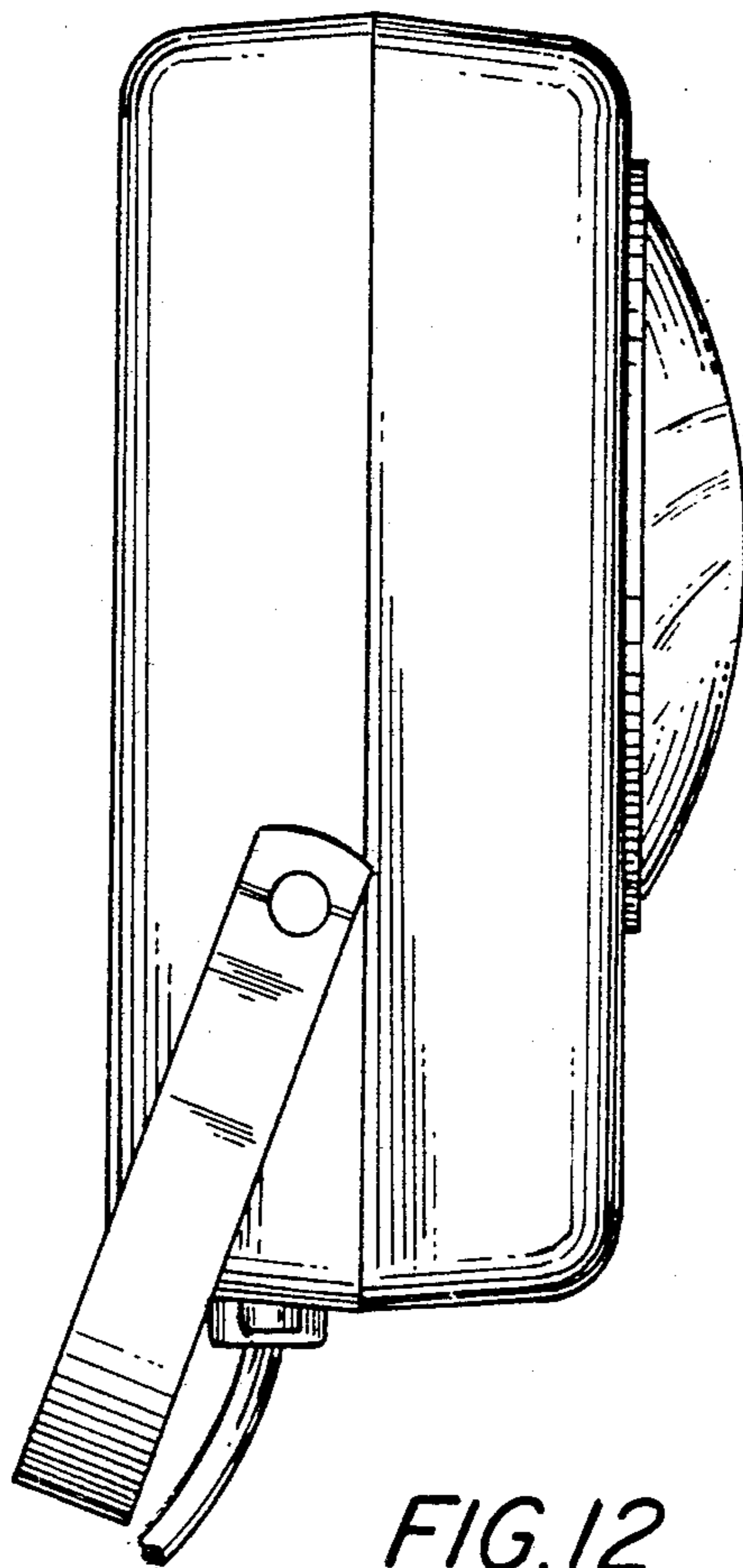


FIG. 12