

[54] COMPACT SCREW-IN FLUORESCENT LAMP

- [75] Inventor: Dieter Witte, Lindenfels, Fed. Rep. of Germany
- [73] Assignee: Osram GmbH, Munich, Fed. Rep. of Germany
- [**] Term: 14 Years
- [21] Appl. No.: 774,747
- [22] Filed: Sep. 11, 1985

[30] Foreign Application Priority Data

- Mar. 26, 1985 [XH] Hague DM/004999
- [52] U.S. Cl. D26/3
- [58] Field of Search D26/1, 2, 3, 26; 313/493, 315, 317, 318; 315/56-59, 63; 362/216; D13/25; 339/50 R-55

[56] References Cited

U.S. PATENT DOCUMENTS

- D. 262,406 12/1981 Zabransky D26/2
- D. 277,412 1/1985 Bedel D26/26 X
- D. 283,169 3/1986 Wierzbicki et al. D26/3
- D. 284,793 7/1986 Engel D26/3
- 4,348,612 9/1982 Morton 315/58
- 4,353,007 10/1982 Moerkens et al. 313/493 X

Primary Examiner—Susan J. Lucas

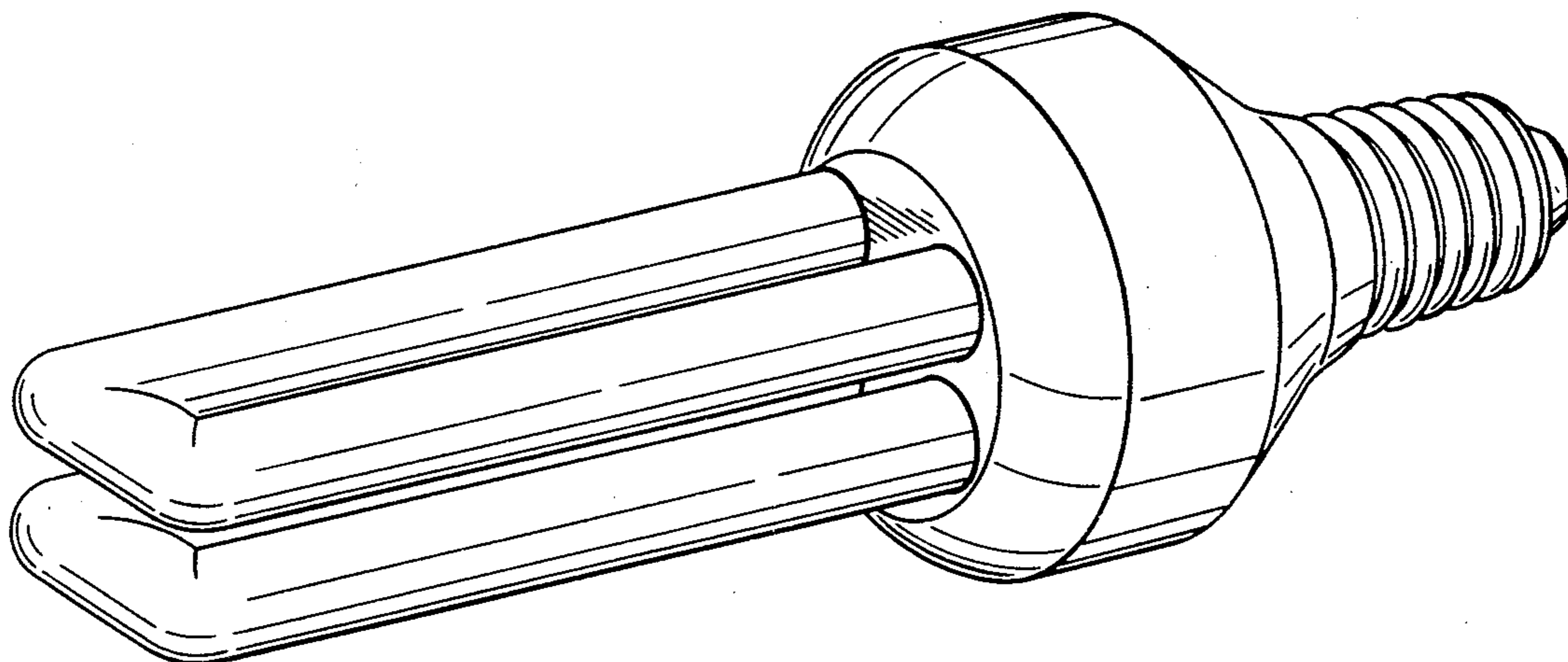
Attorney, Agent, or Firm—Frishauf, Holtz, Goodman & Woodward

[57] CLAIM

The ornamental design for a compact screw-in fluorescent lamp, as shown and described.

DESCRIPTION

FIG. 1 is a perspective view of a compact screw-in fluorescent lamp showing my new design;
 FIG. 2 is a side elevational view thereof;
 FIG. 3 is a side elevational view rotated 90 degrees with respect to FIG. 2;
 FIG. 4 is a top plan view thereof;
 FIG. 5 is a bottom plan view thereof;
 FIG. 6 is a perspective view of a second embodiment of my new design;
 FIG. 7 is a side elevational view thereof;
 FIG. 8 is a side elevational view thereof rotated 90 degrees with respect to FIG. 7;
 FIG. 9 is a top plan view thereof;
 FIG. 10 is a bottom plan view thereof;
 FIG. 11 is a perspective view of a third embodiment of my new design;
 FIG. 12 is a side elevational view thereof;
 FIG. 13 is a side elevational view thereof rotated 90 degrees with respect to FIG. 12;
 FIG. 14 is a top plan view thereof;
 FIG. 15 is a bottom plan view thereof.



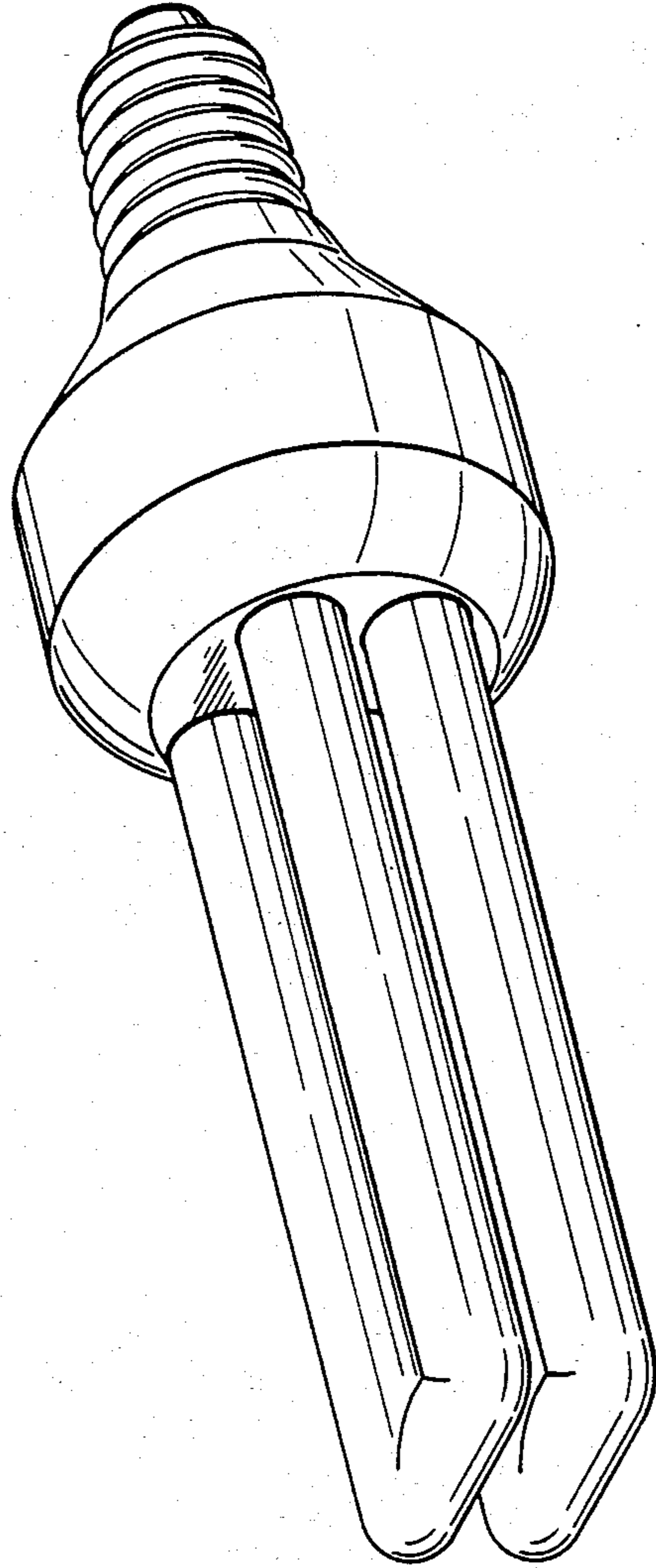


Fig. 1

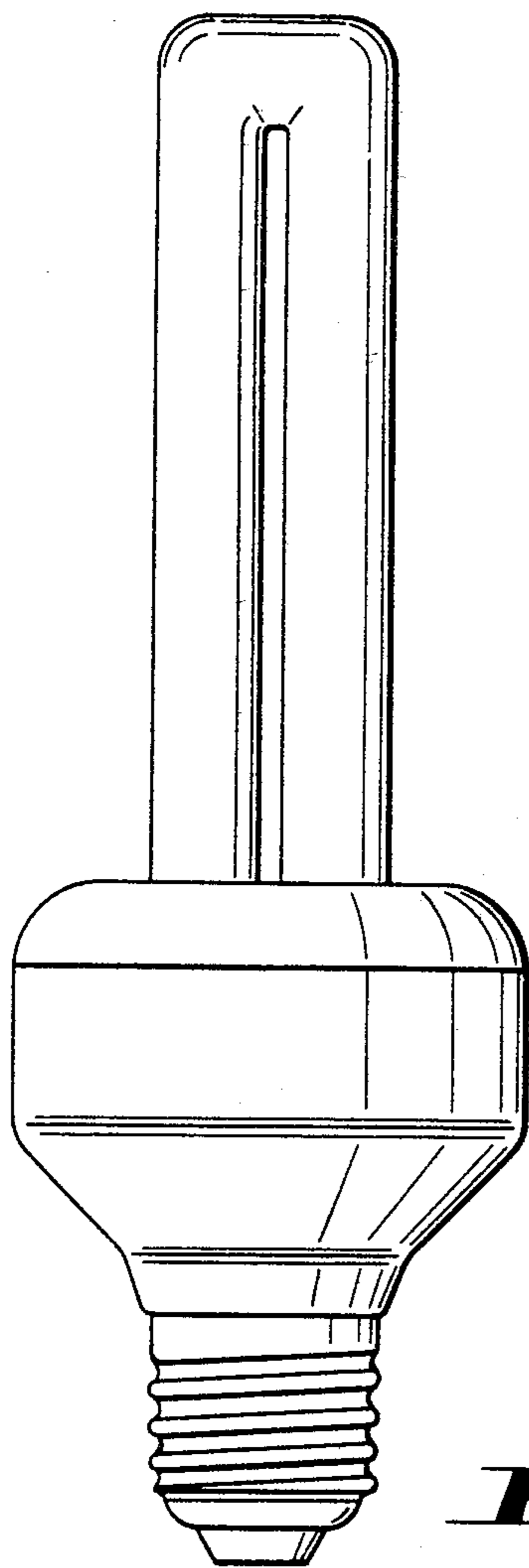


Fig. 2

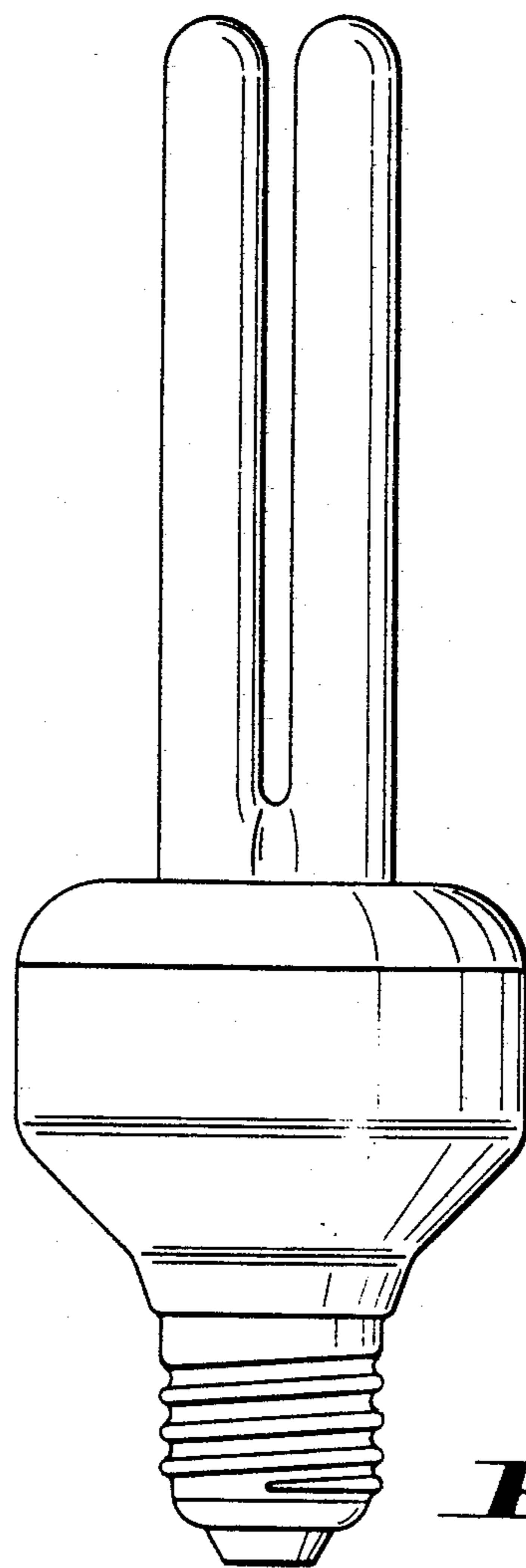


Fig. 3

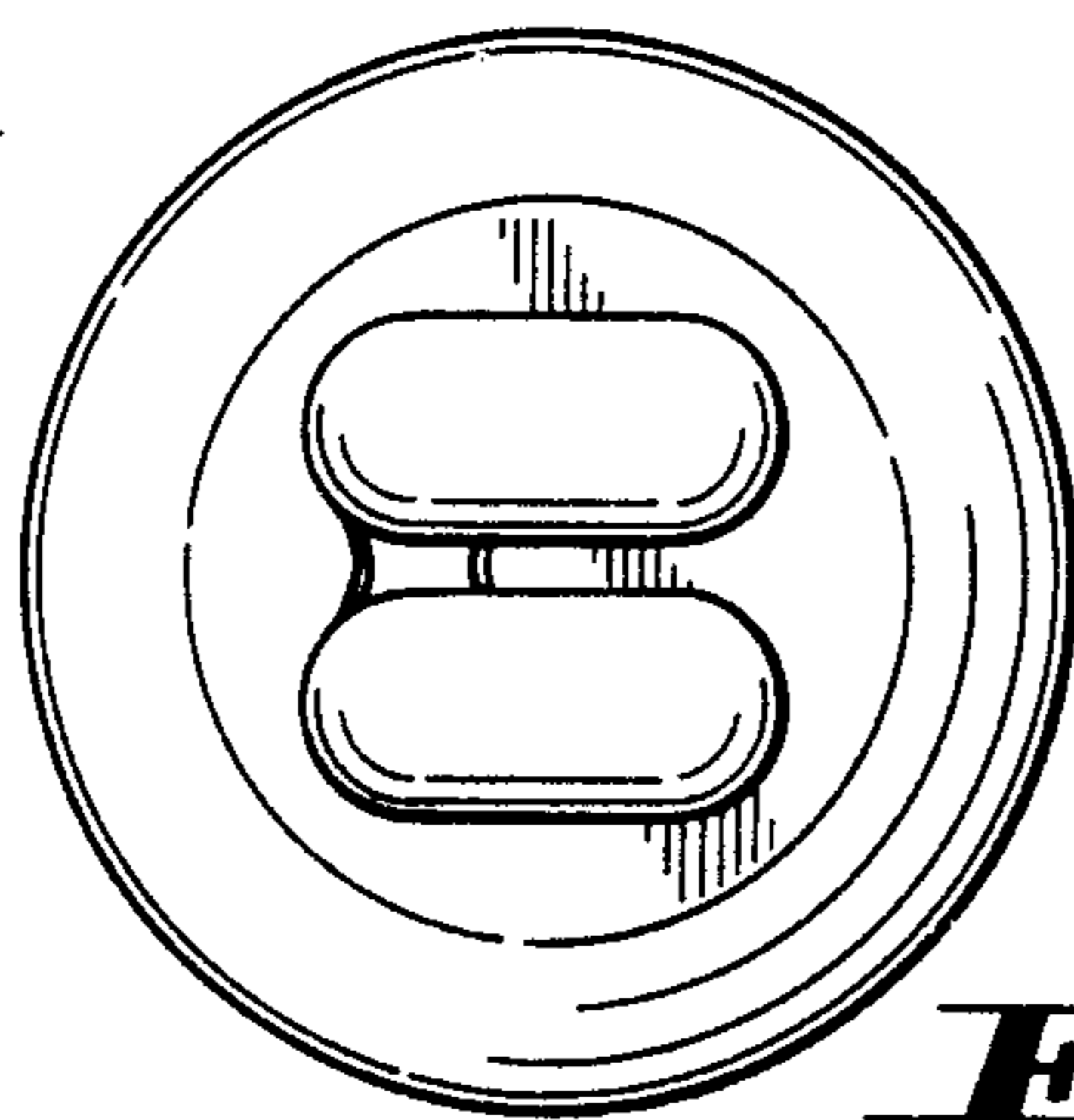


Fig. 4

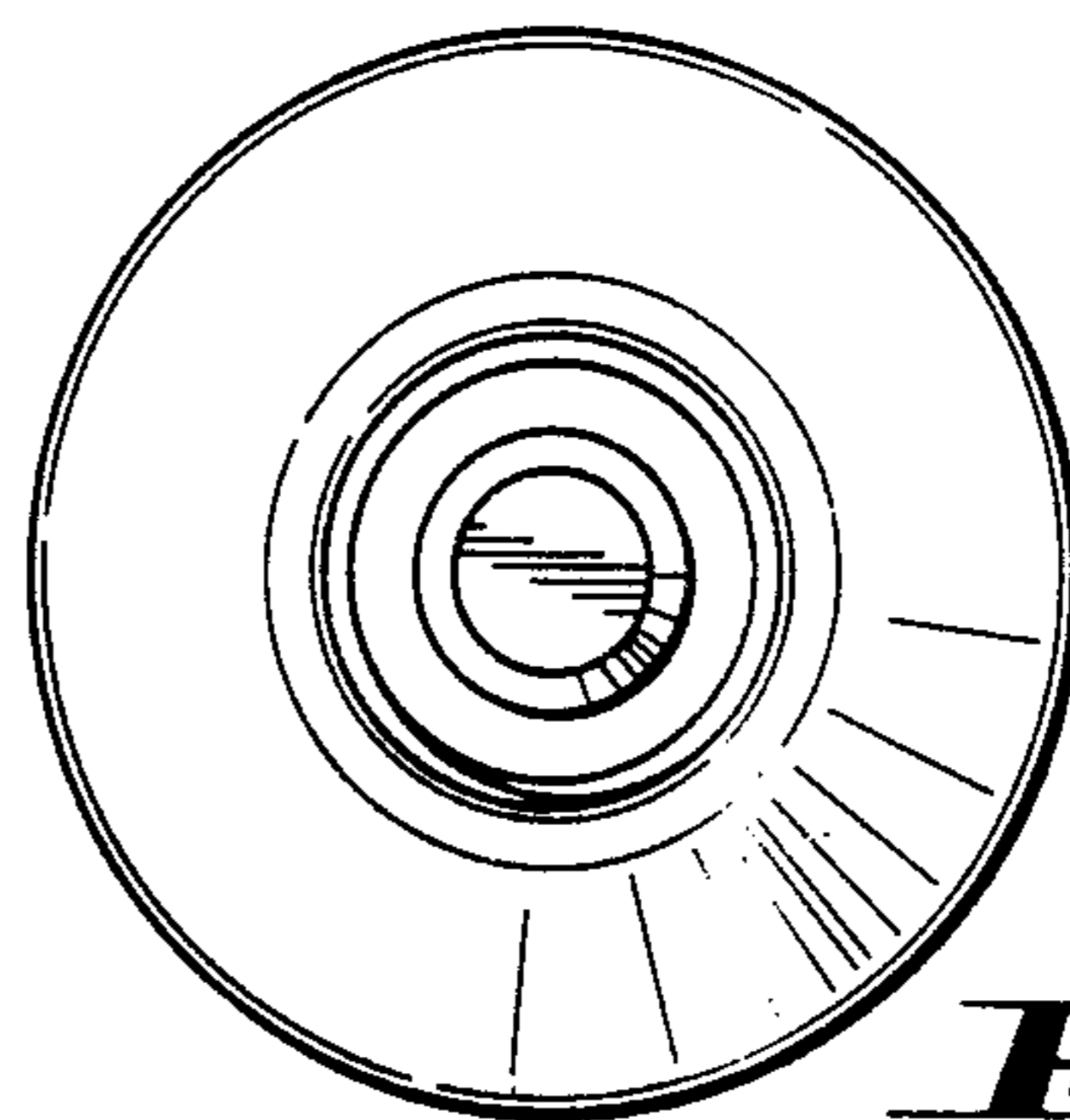


Fig. 5

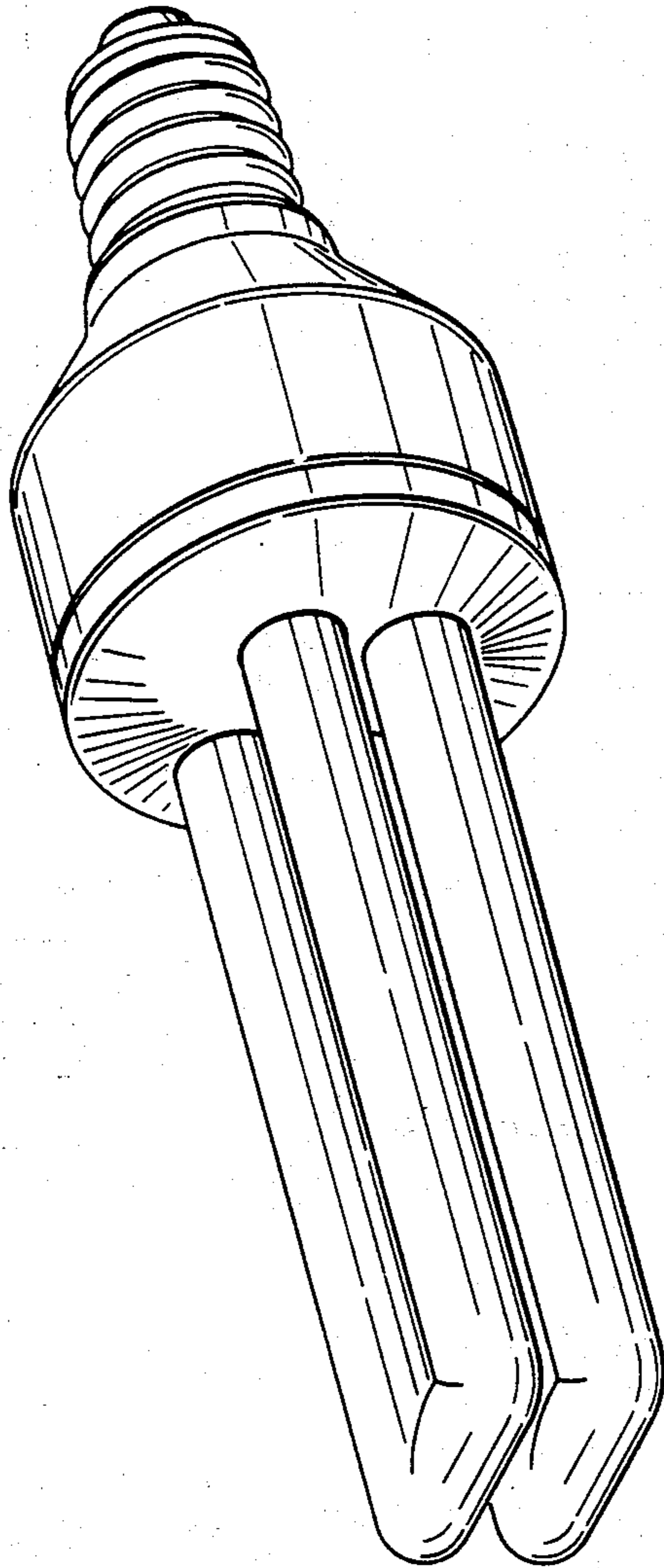


Fig. 6

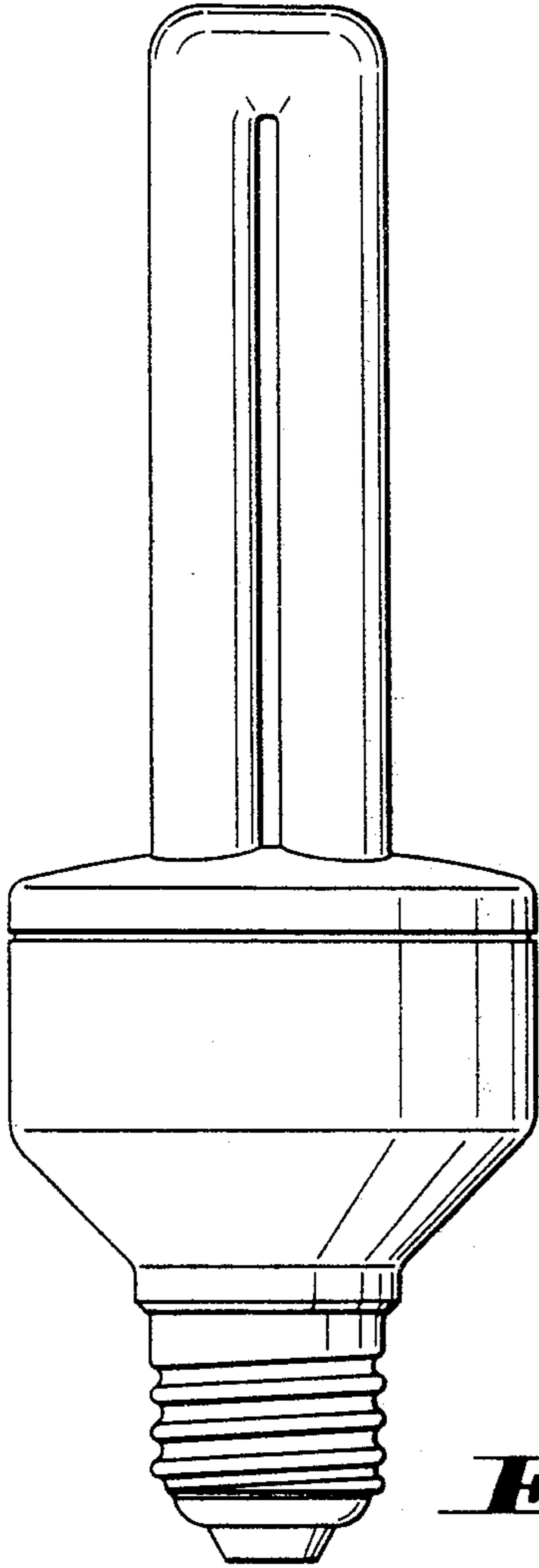


Fig. 7

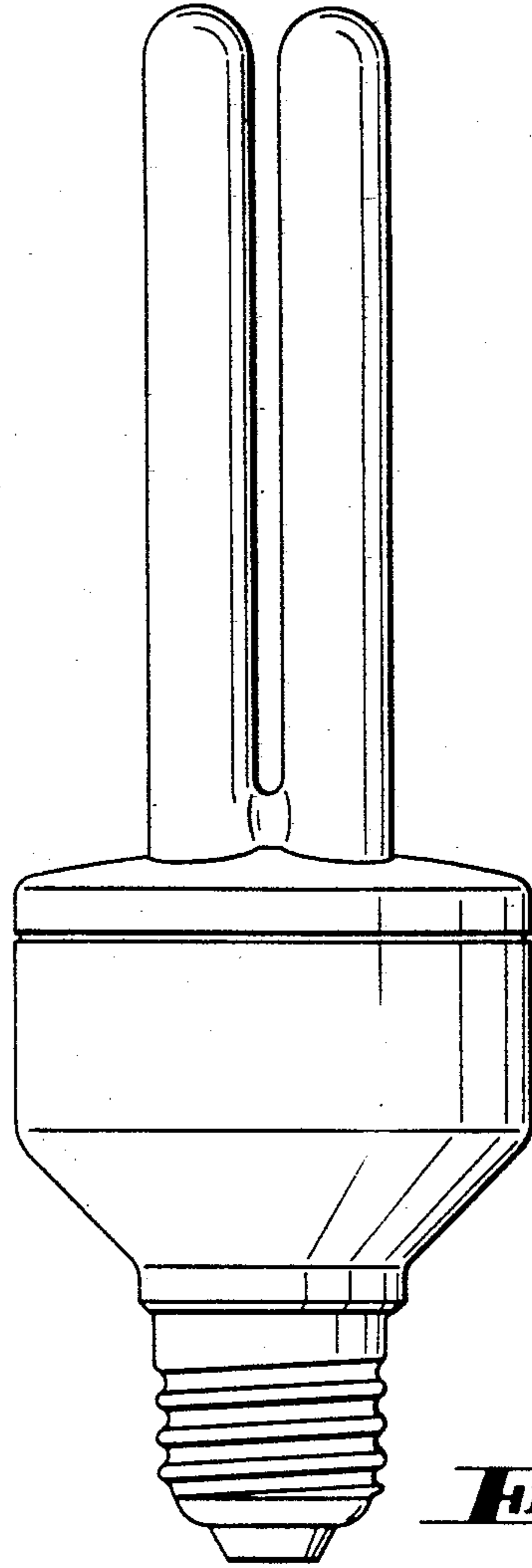


Fig. 8

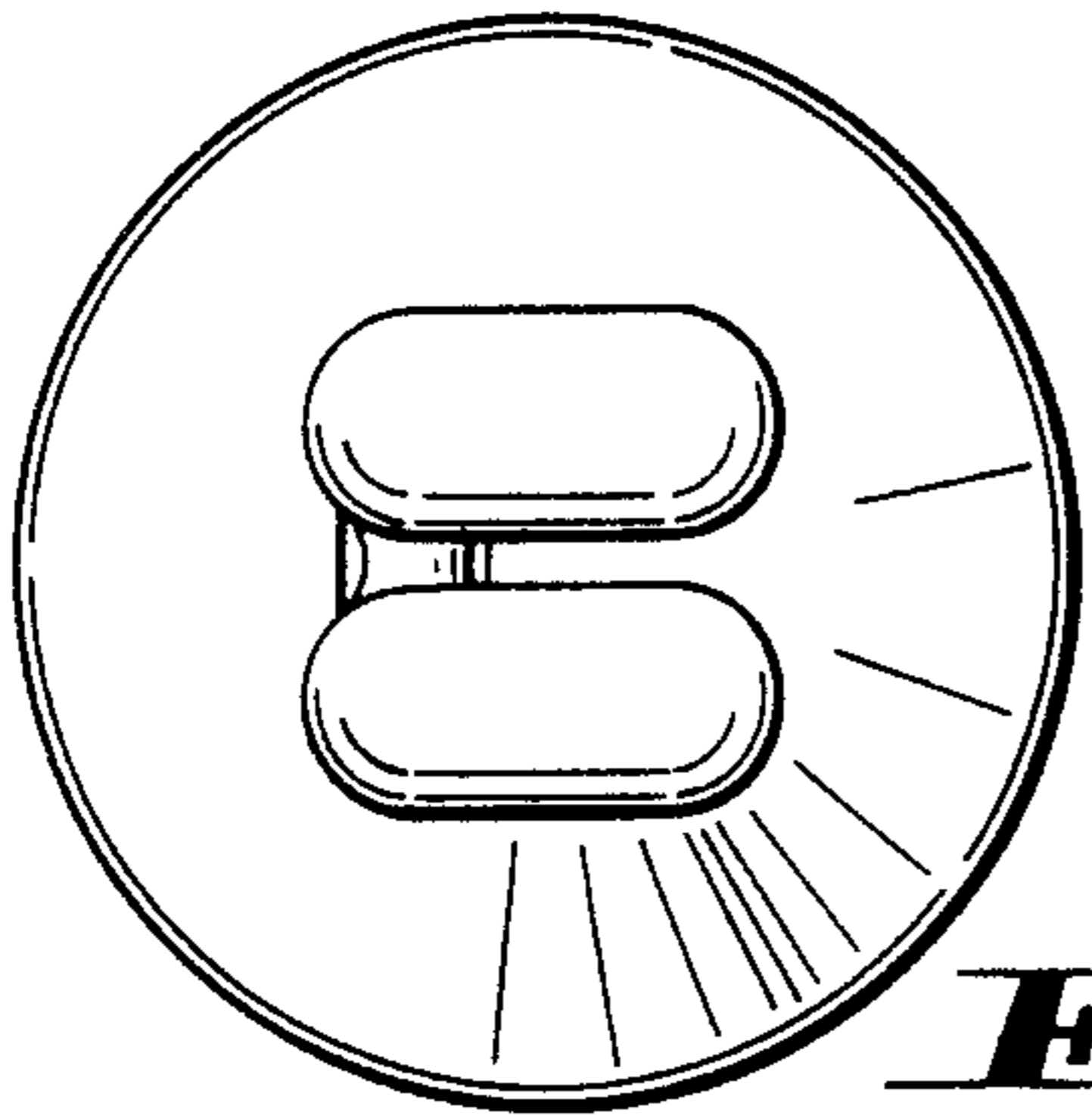


Fig. 9

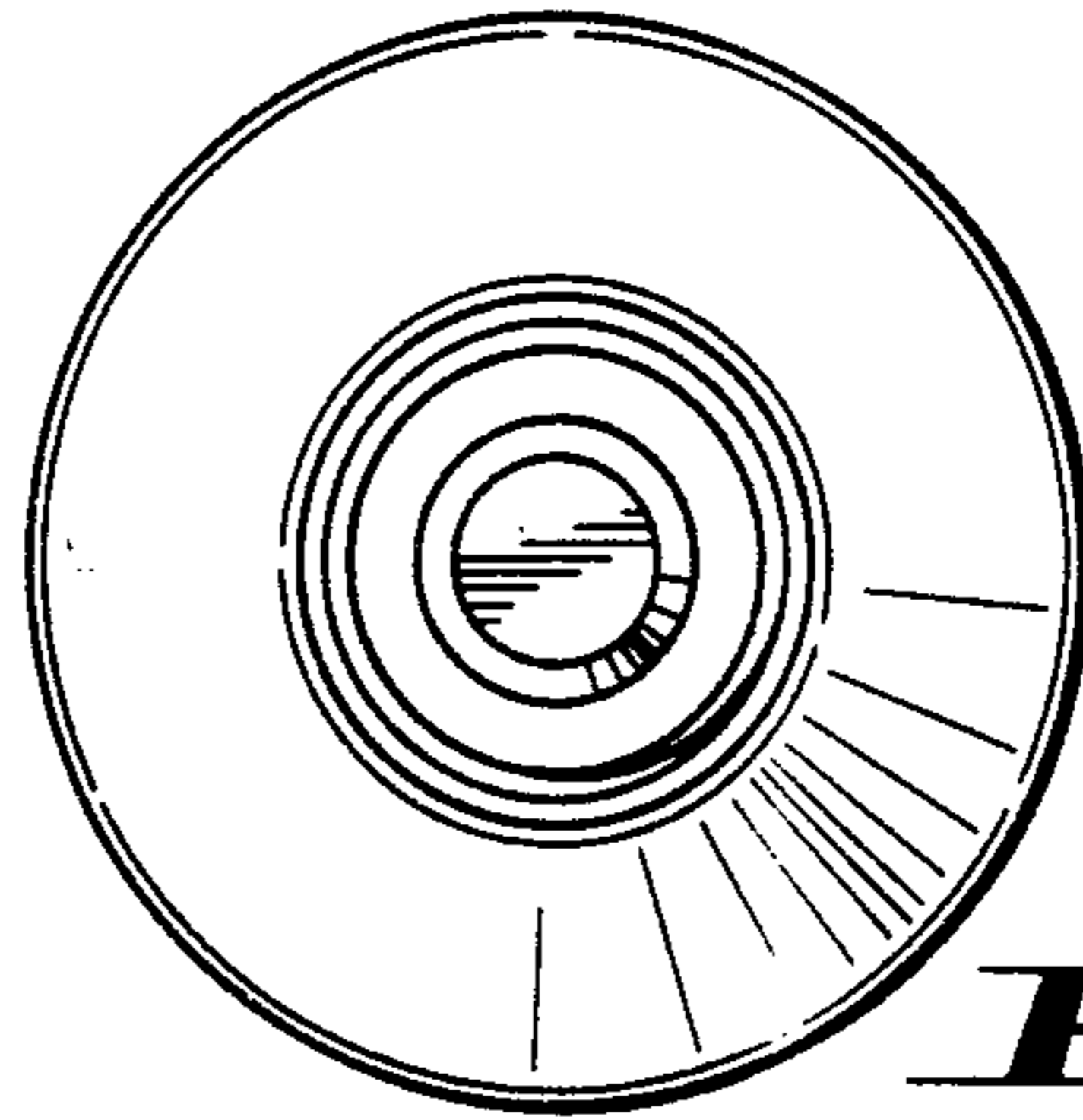


Fig. 10

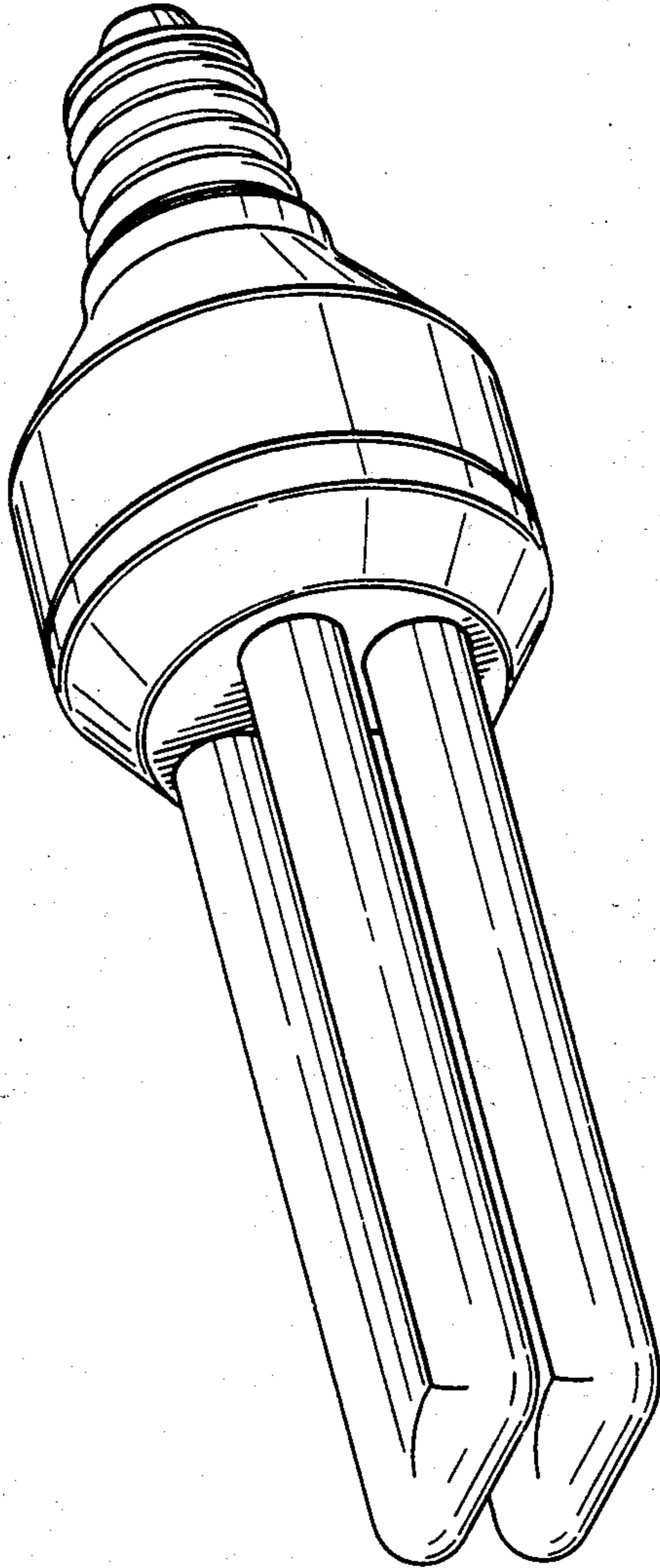


Fig. 11

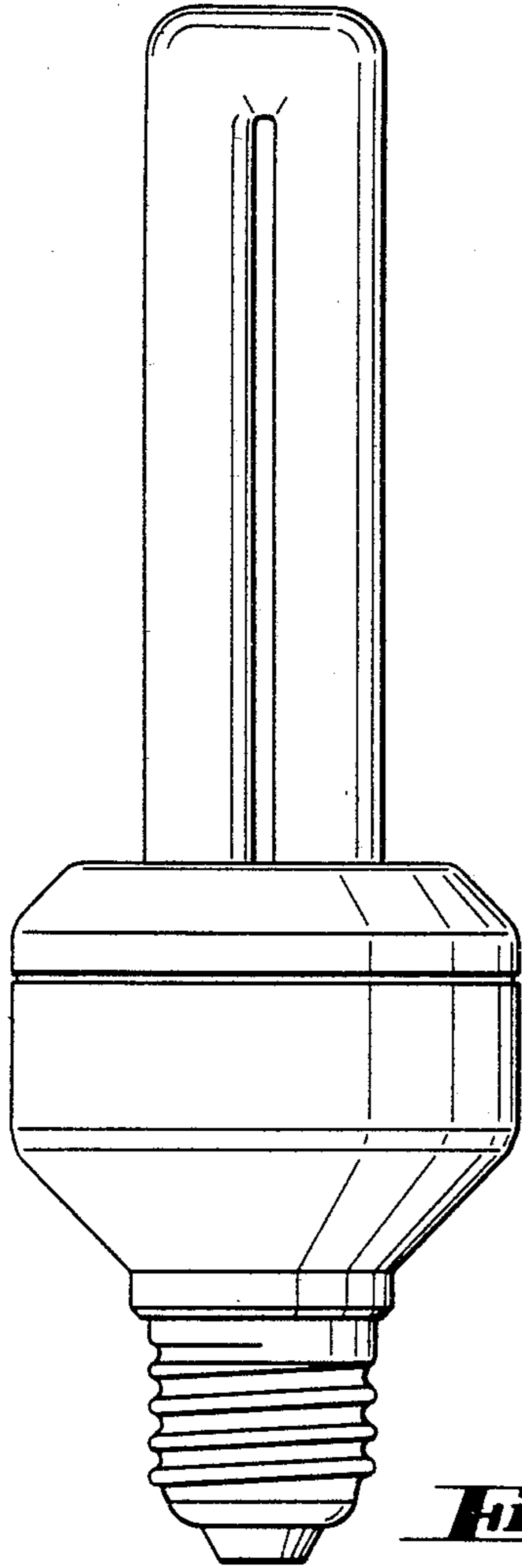


Fig. 12

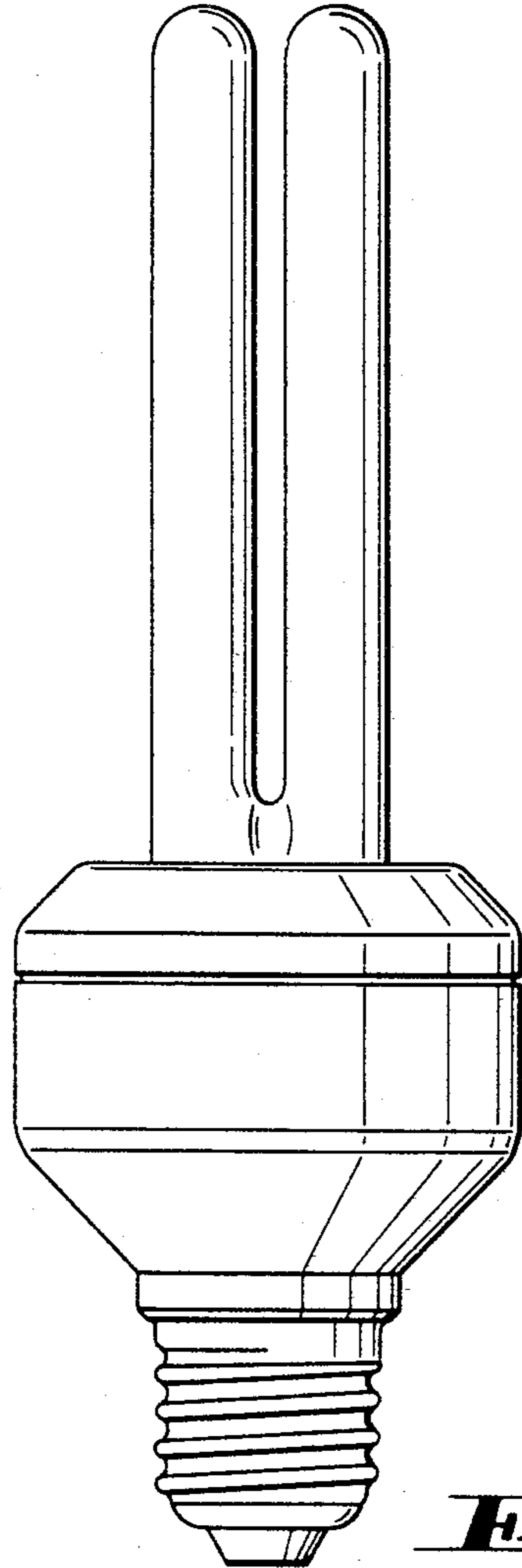


Fig. 13

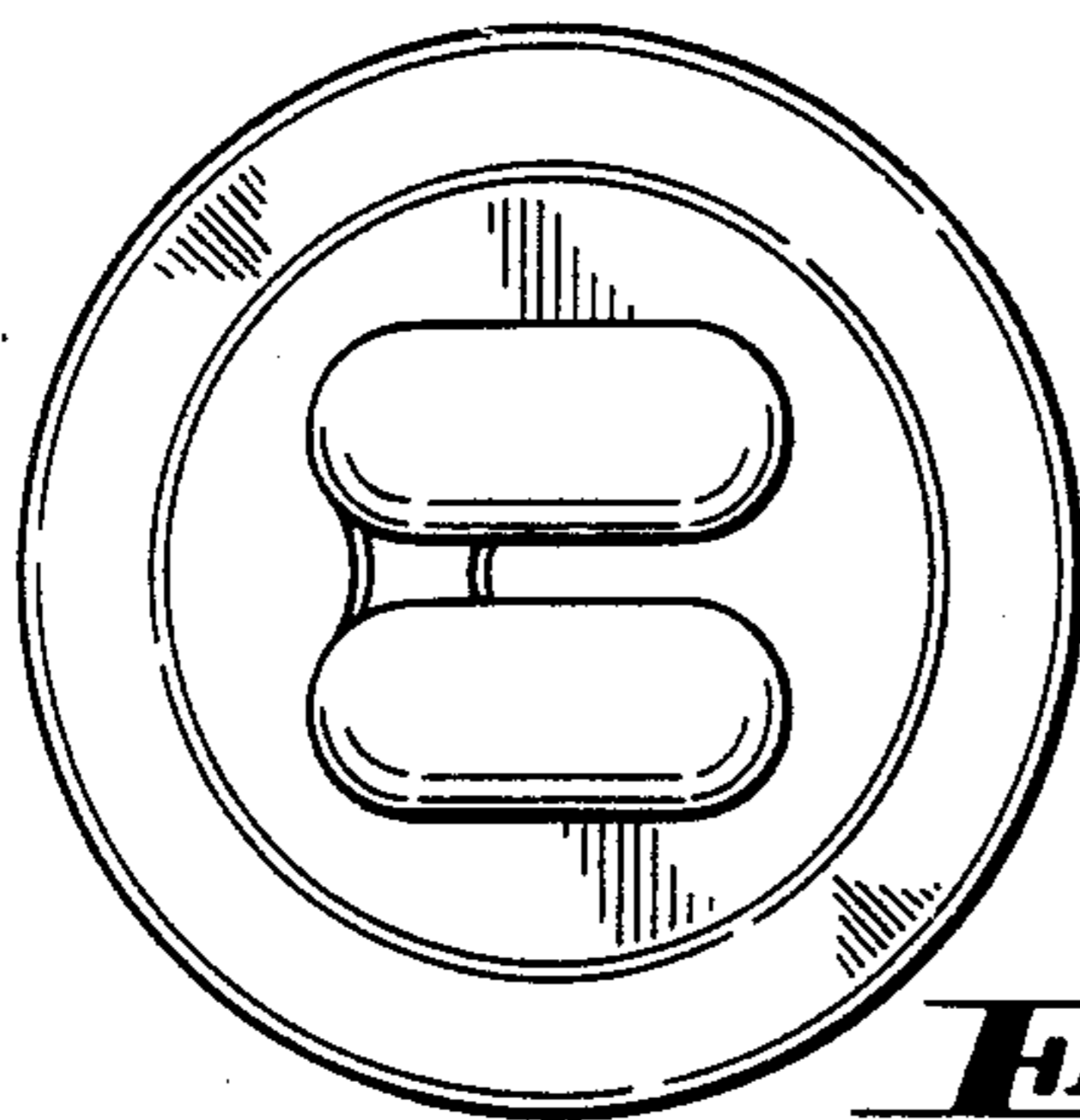


Fig. 14

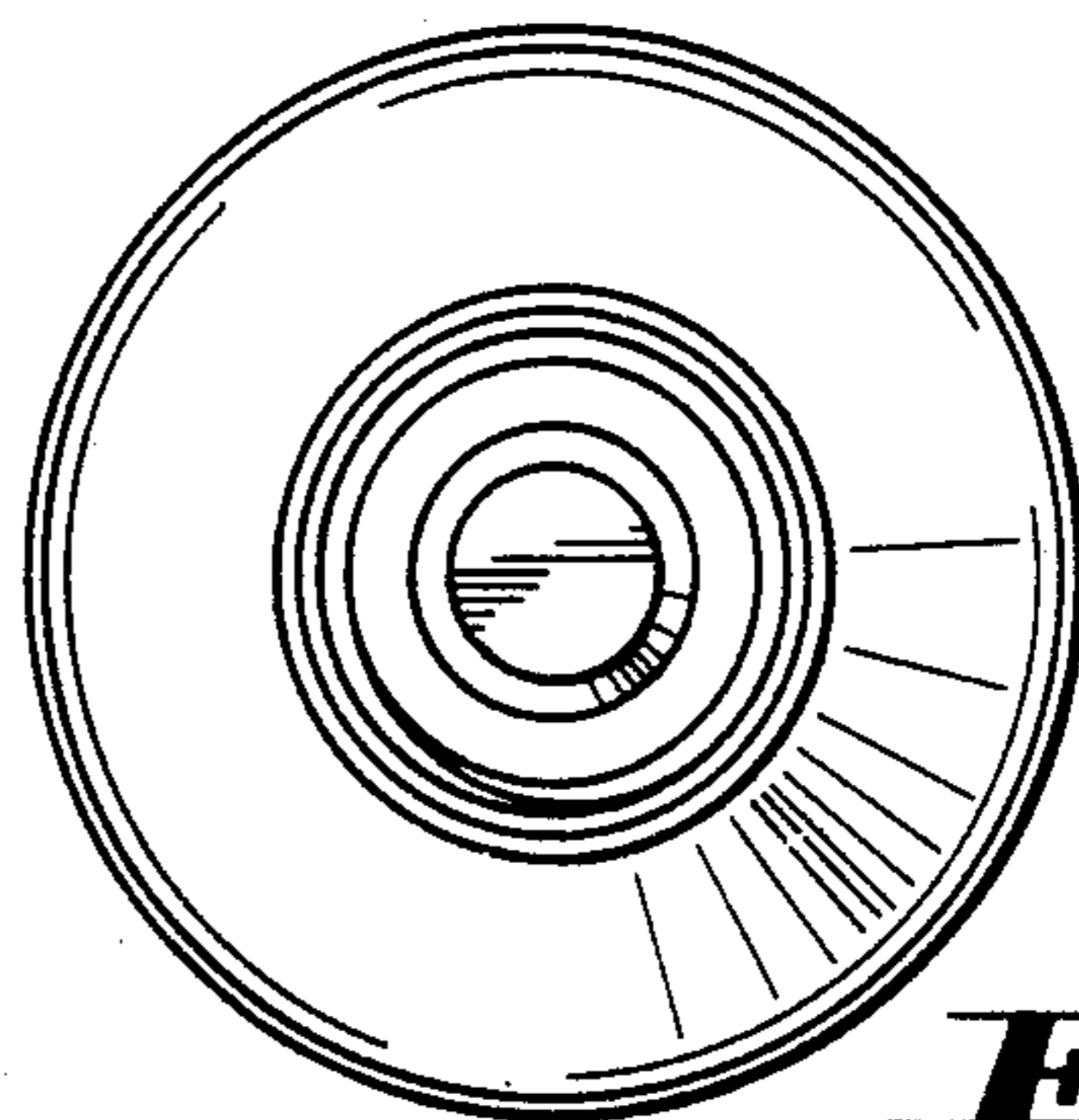


Fig. 15