

[54] ALCOHOL BREATH SIMULATOR FOR TESTING THE ACCURACY OF BREATH TESTERS

3,948,604 4/1976 Hoppesch 422/84
3,951,855 4/1976 Principe et al. 422/84 X

[75] Inventors: Edward S. Stanuch, Oak Forest; Sigmund S. Urbanski, Alsip, both of Ill.

Primary Examiner—A. Hugo Word
Assistant Examiner—Stella Reid
Attorney, Agent, or Firm—Charles F. Pigott, Jr.

[73] Assignee: Federal Signal Corporation, Oak Brook, Ill.

[57] CLAIM

[**] Term: 14 Years

The ornamental design for an alcohol breath simulator for testing the accuracy of breath testers, as shown and described.

[21] Appl. No.: 702,689

DESCRIPTION

[22] Filed: Feb. 19, 1985

FIG. 1 is a perspective view of an alcohol breath simulator for testing the accuracy of breath testers showing our new design;

[52] U.S. Cl. D24/17; D10/81

FIG. 2 is a side elevational view thereof;

[58] Field of Search D24/17; 436/900;

FIG. 3 is a top plan view thereof;

422/83, 84, 86; 128/730; D10/46, 81

FIG. 4 is a further side elevational view looking from the right side of the device as shown in FIG. 2;

[56] References Cited

U.S. PATENT DOCUMENTS

3,822,117 7/1974 Bergh et al. 422/84 X
3,854,319 12/1974 Burroughs et al. 422/84 X

FIG. 5 is a side elevational view looking from the side opposite that shown in FIG. 2; and

FIG. 6 is a bottom plan view thereof.

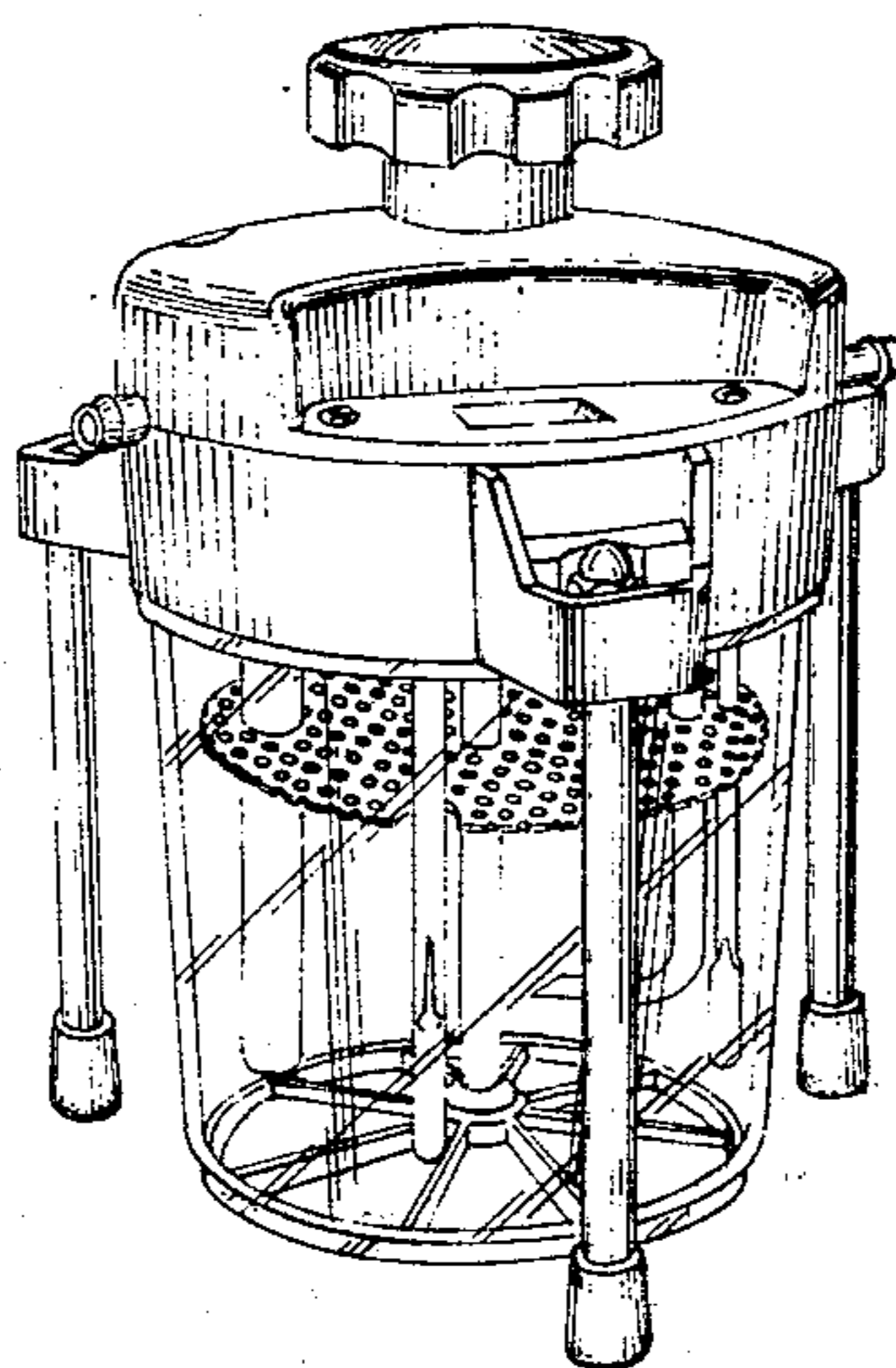


FIG. 1

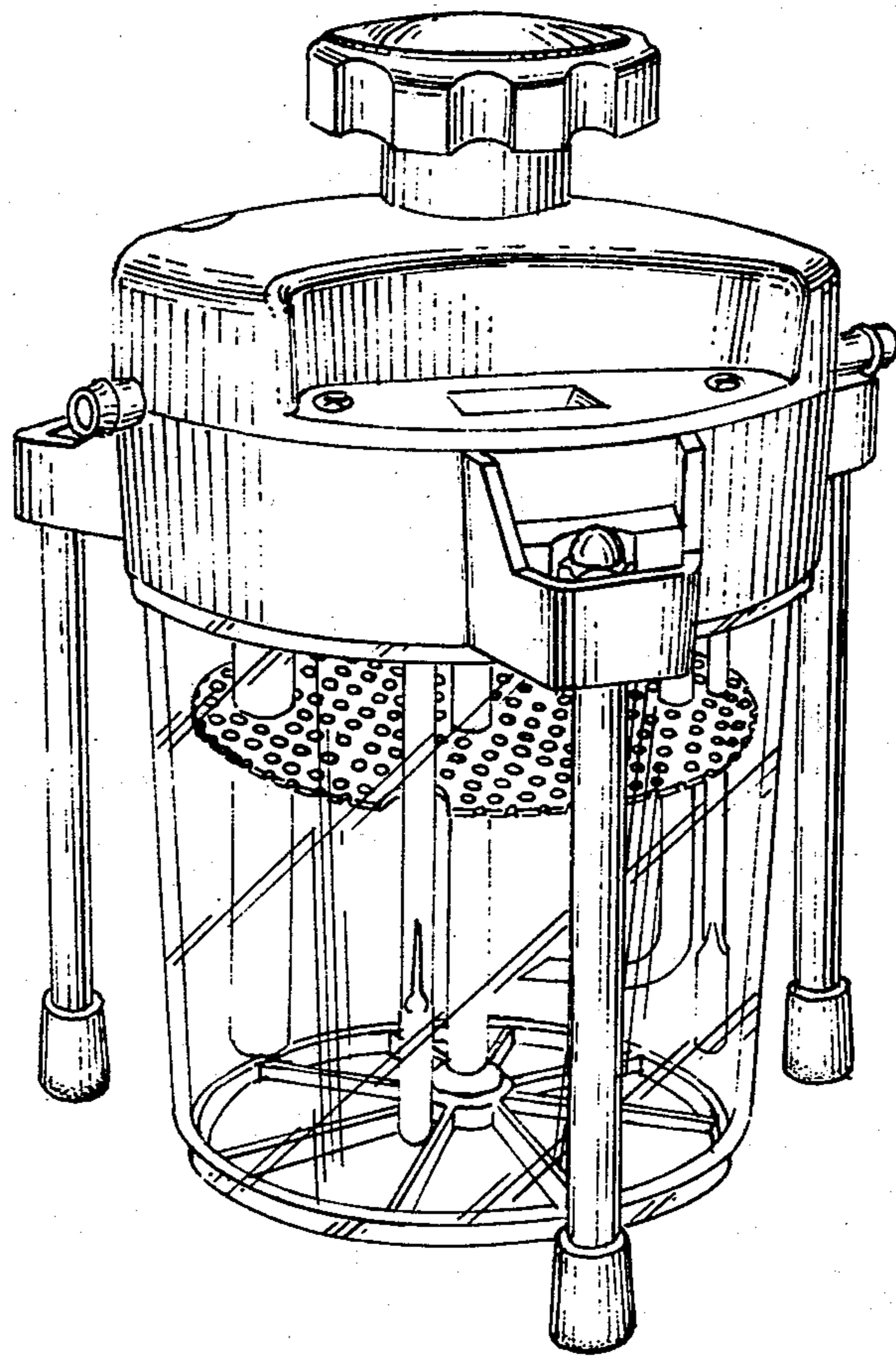


FIG. 2

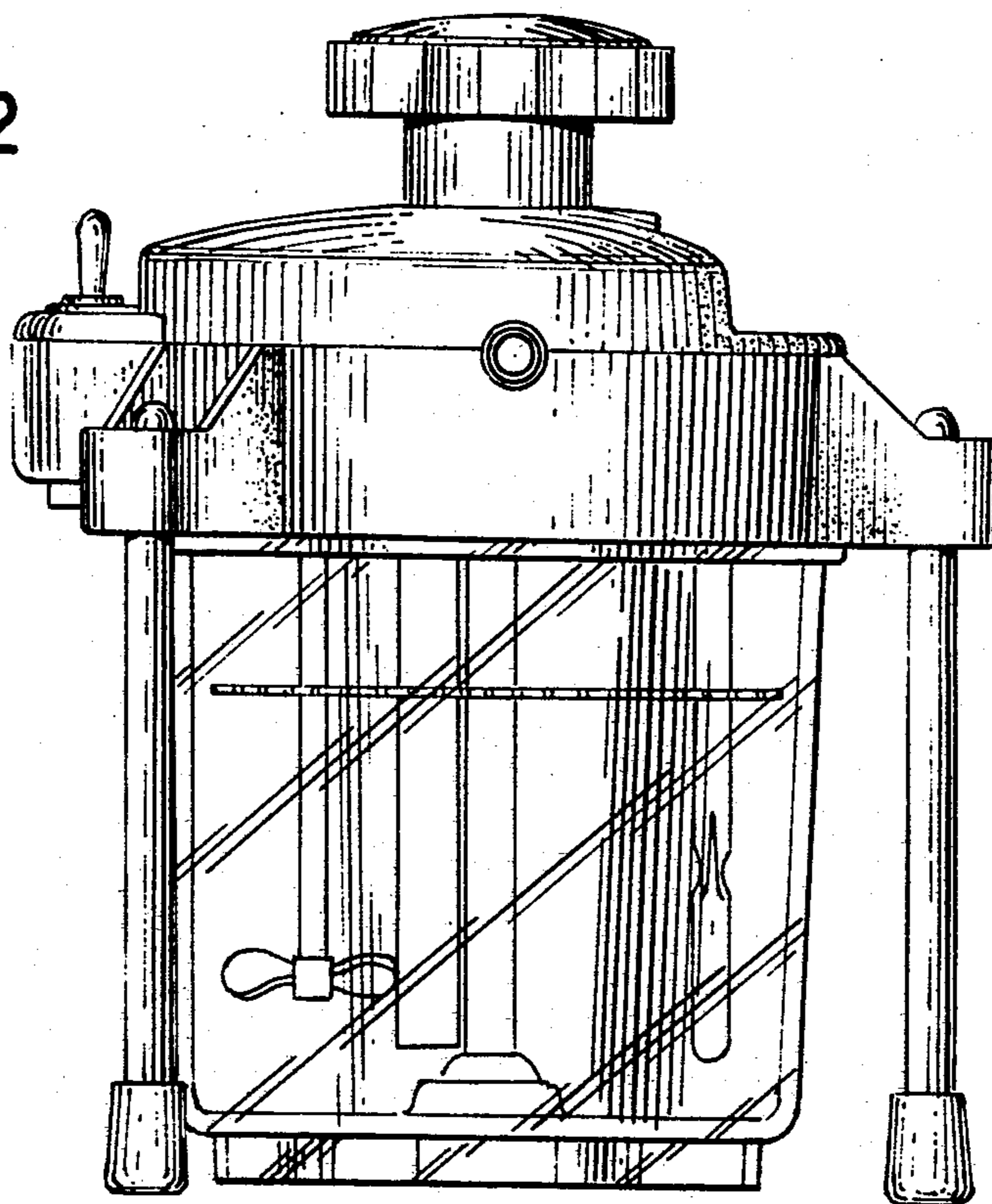


FIG. 3

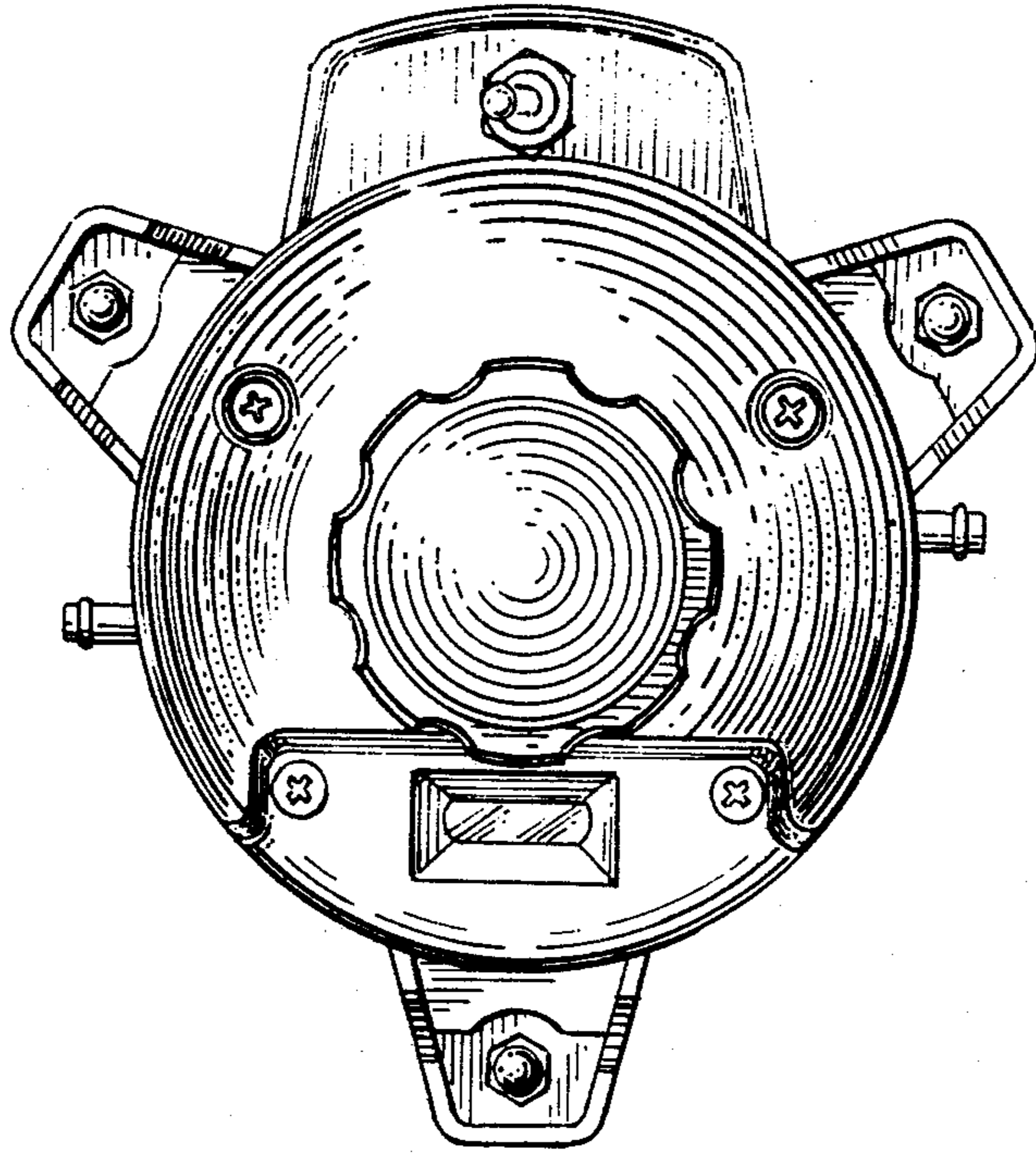


FIG. 4

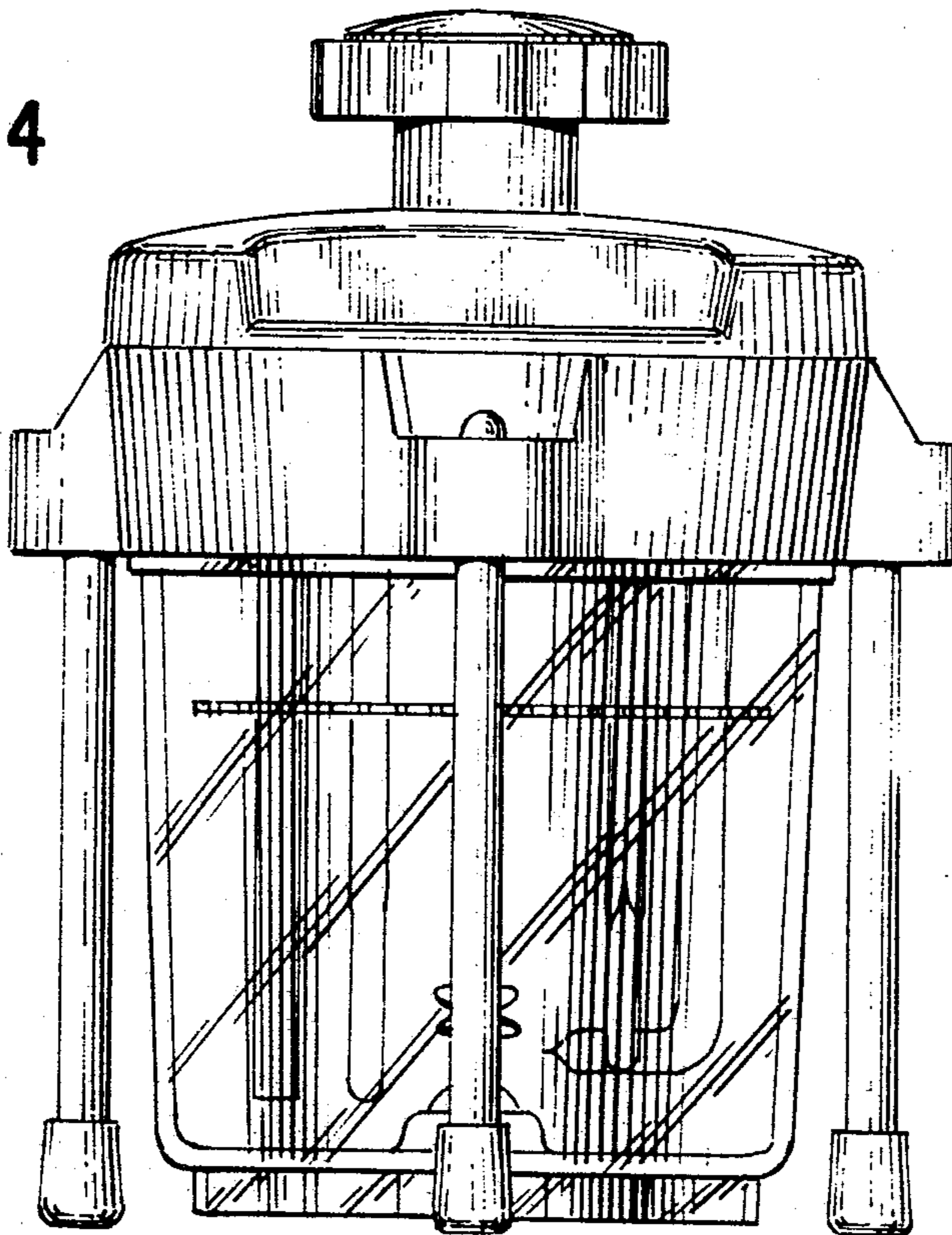


FIG. 5

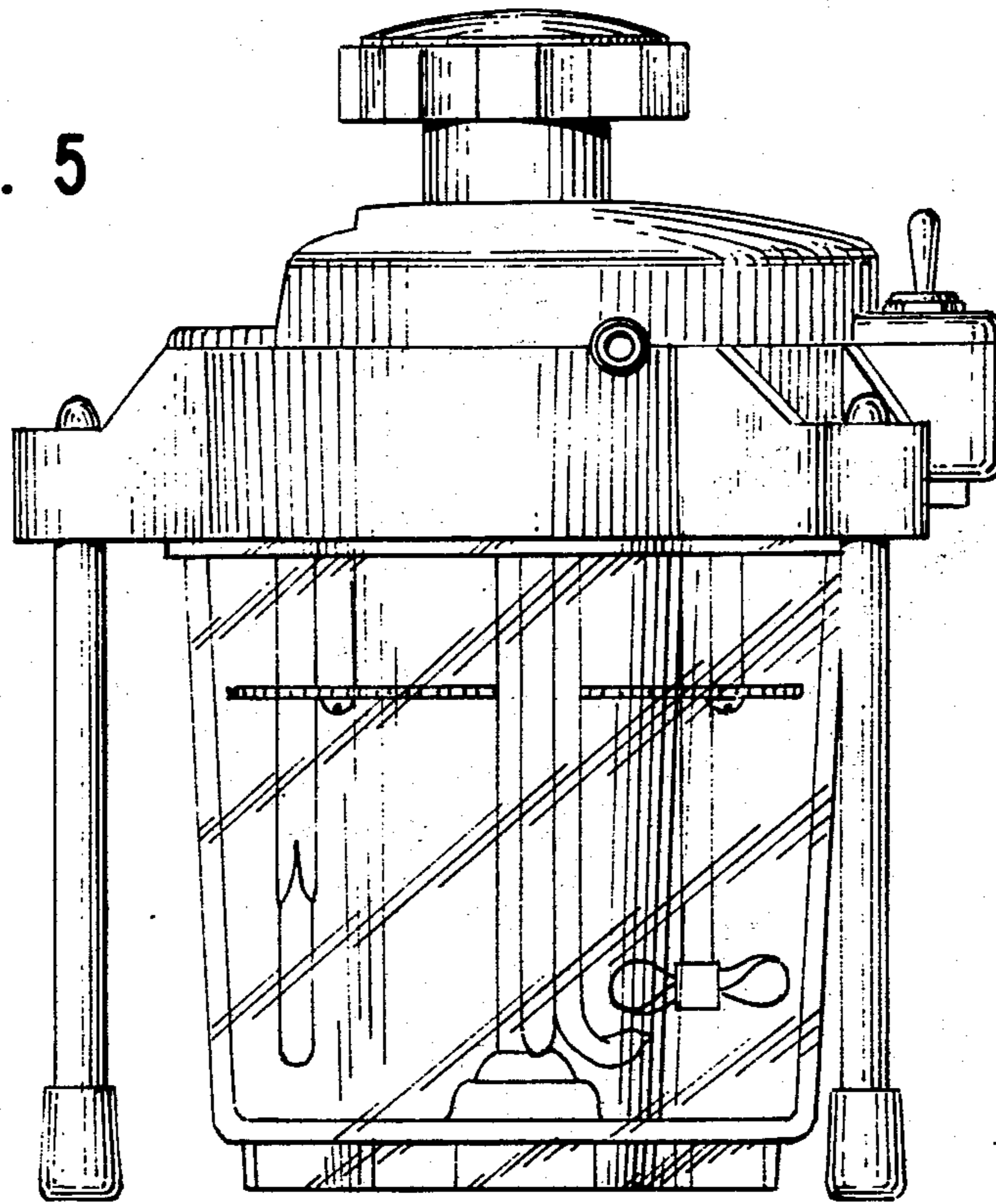


FIG. 6

