

- [54] **FLOW SENSOR FOR IV FLUID ADMINISTRATION**
- [75] Inventors: **Ronald S. Conero; Terry L. Landis,** both of San Diego, Calif.
- [73] Assignee: **IVAC Corporation,** San Diego, Calif.
- [\*\*] Term: **14 Years**
- [21] Appl. No.: **698,166**
- [22] Filed: **Feb. 4, 1985**
- [52] U.S. Cl. .... **D24/8; D24/52**
- [58] Field of Search ..... **D24/52, 8, 51, 53; 604/65, 253, 254, 251; 128/DIG. 13**

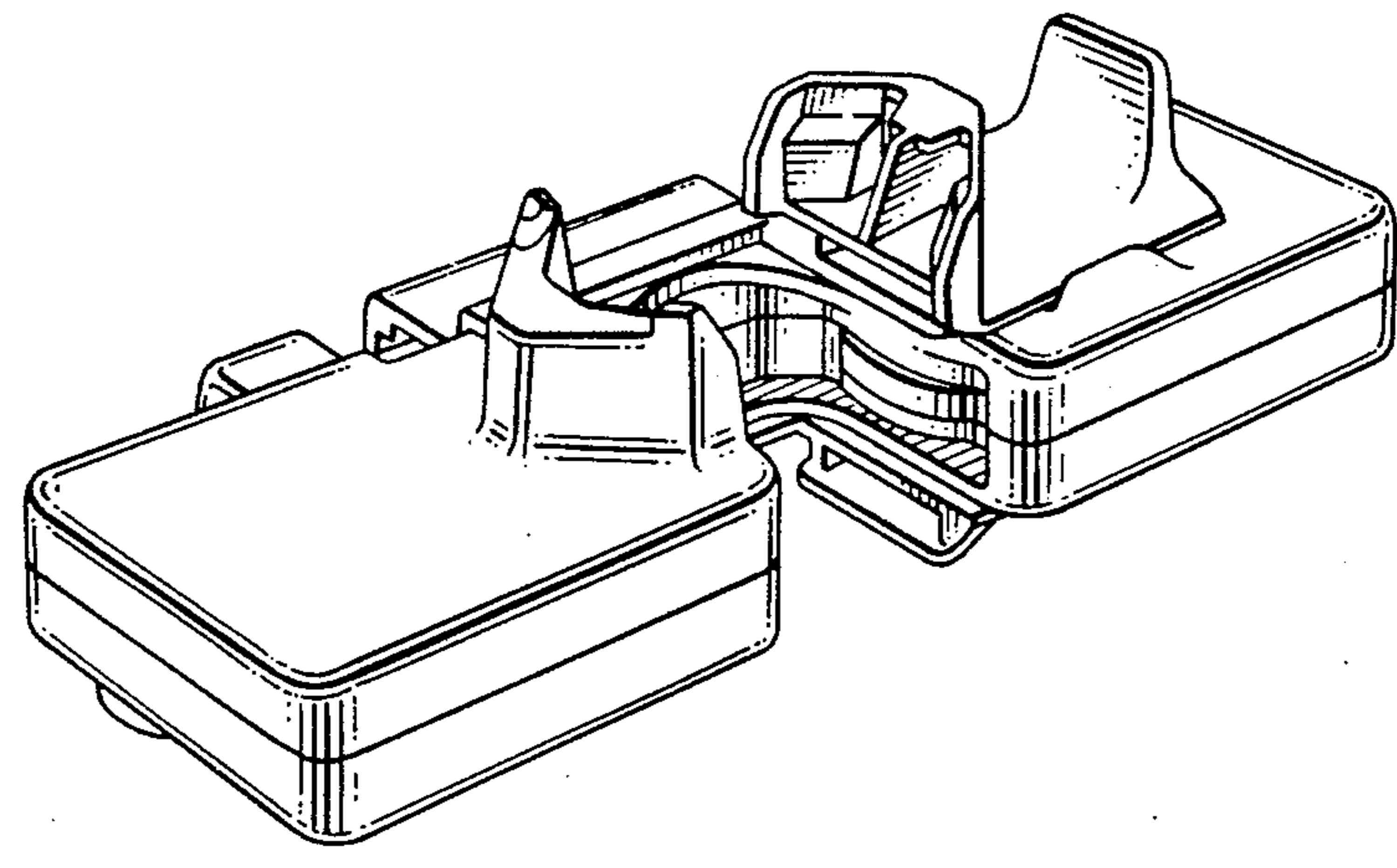
- [56] **References Cited**
- U.S. PATENT DOCUMENTS**
- D. 212,987 12/1968 Cramer ..... D24/52
- D. 220,854 6/1971 Lambo et al. .... D24/51
- D. 269,998 8/1983 Knute ..... D24/8
- D. 273,419 4/1984 D'Alo et al. .... D24/8
- D. 277,032 1/1985 Hitchcock et al. .... D24/8
- 4,397,648 8/1983 Knute ..... 604/253

*Primary Examiner*—A. Hugo Word

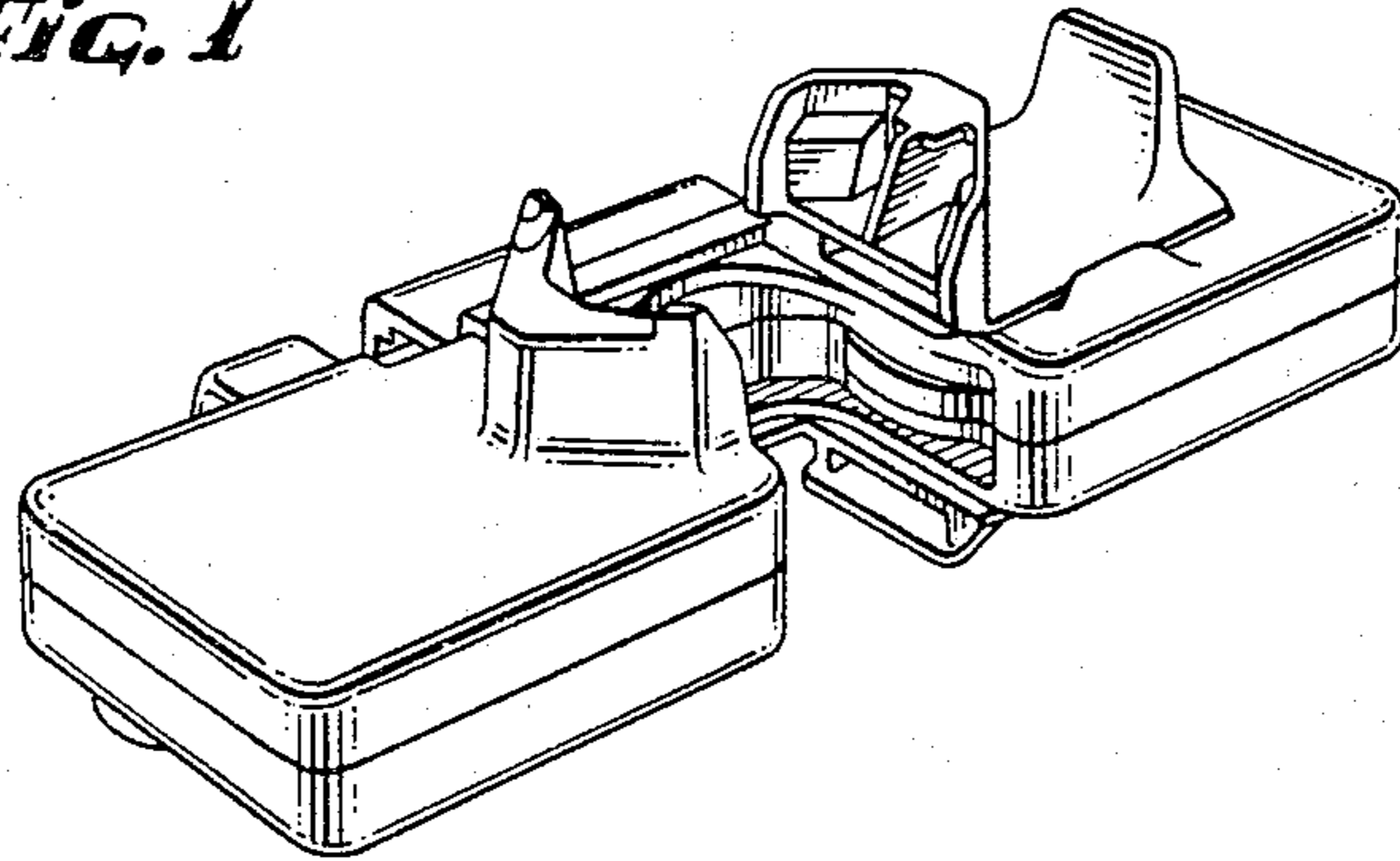
*Assistant Examiner*—Stella M. Reid  
*Attorney, Agent, or Firm*—Fulwider, Patton, Rieber, Lee & Utecht

[57] **CLAIM**  
The ornamental design for a flow sensor for IV fluid administration, as shown and described.

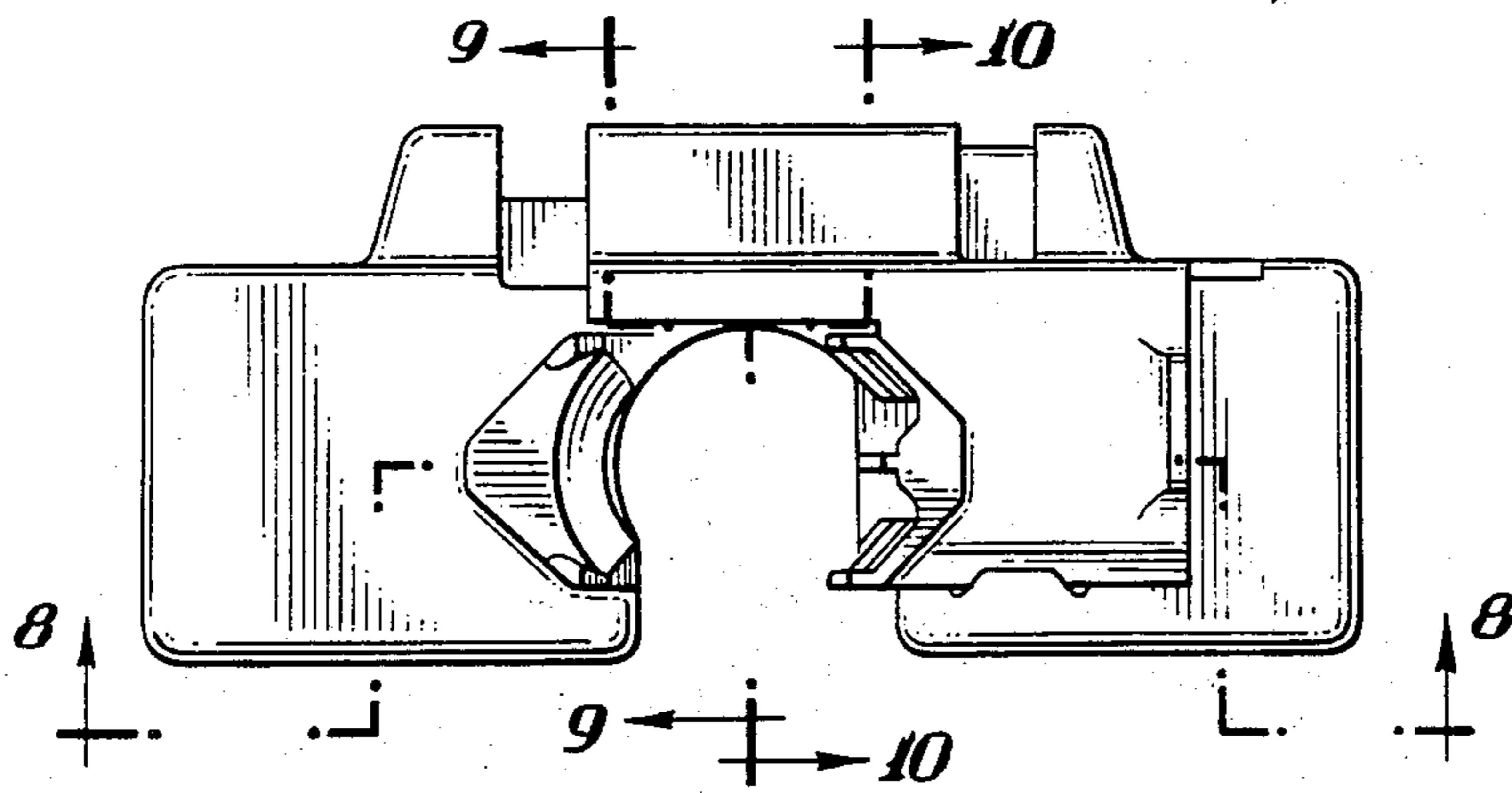
**DESCRIPTION**  
FIG. 1 is a perspective view of a flow sensor for IV fluid administration embodying our new design;  
FIG. 2 is a top plan view thereof;  
FIG. 3 is a front view thereof;  
FIG. 4 is a bottom plan view thereof;  
FIG. 5 is a back view thereof;  
FIG. 6 is a left side view thereof;  
FIG. 7 is a right side view thereof;  
FIG. 8 is a view thereof, partially in elevation and partially in section, taken in the direction of the arrows and along line 8—8 in FIG. 2;  
FIG. 9 is a sectional view thereof taken along line 9—9 in FIG. 2; and  
FIG. 10 is a sectional view thereof taken along line 10—10 in FIG. 2.



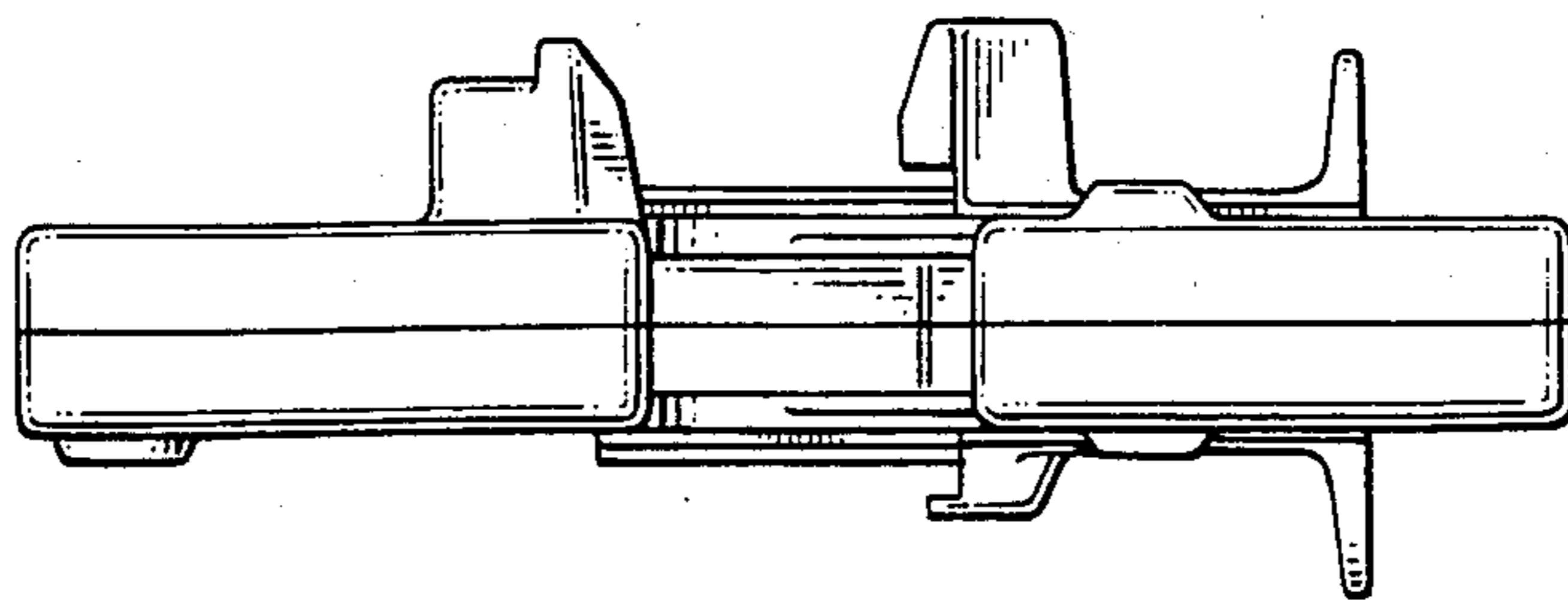
*Fig. 1*



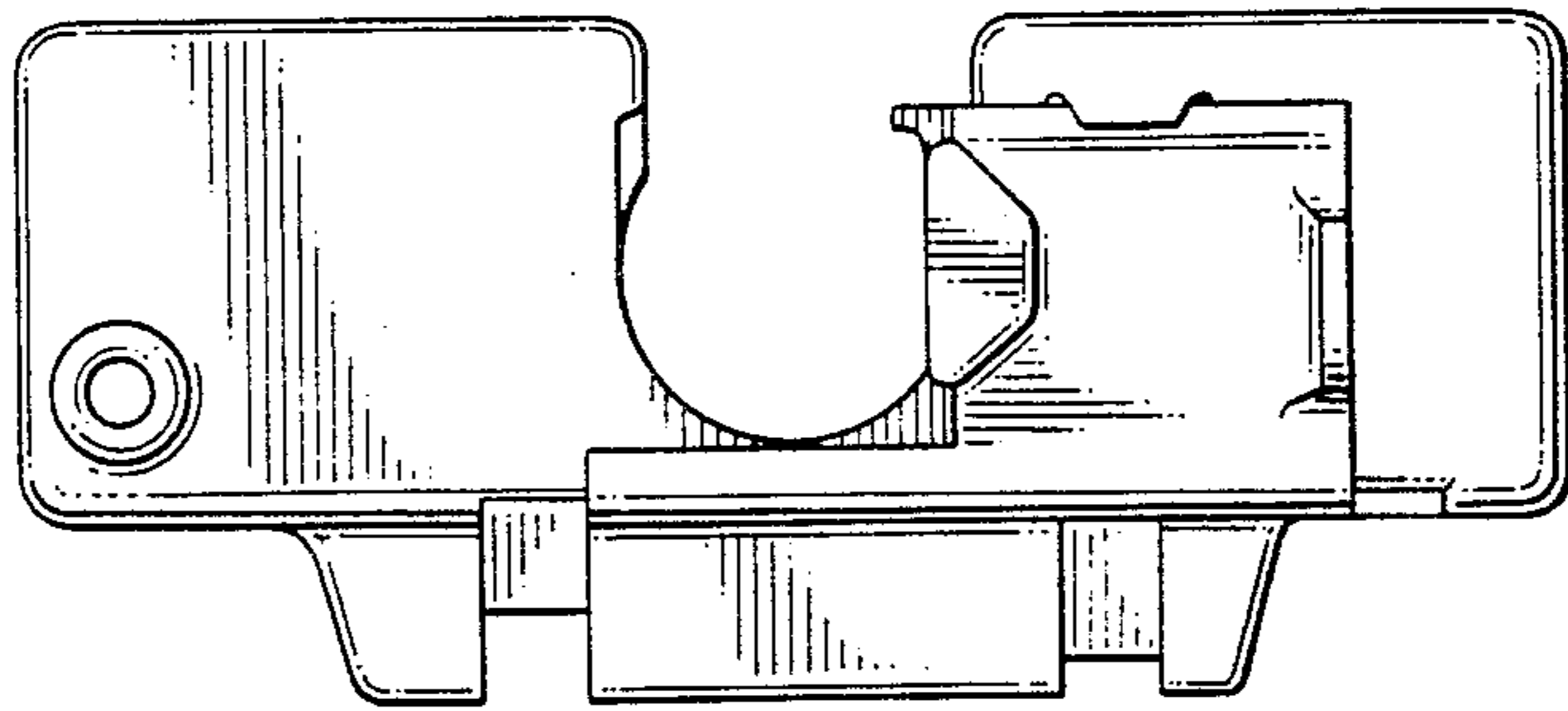
*Fig. 2*



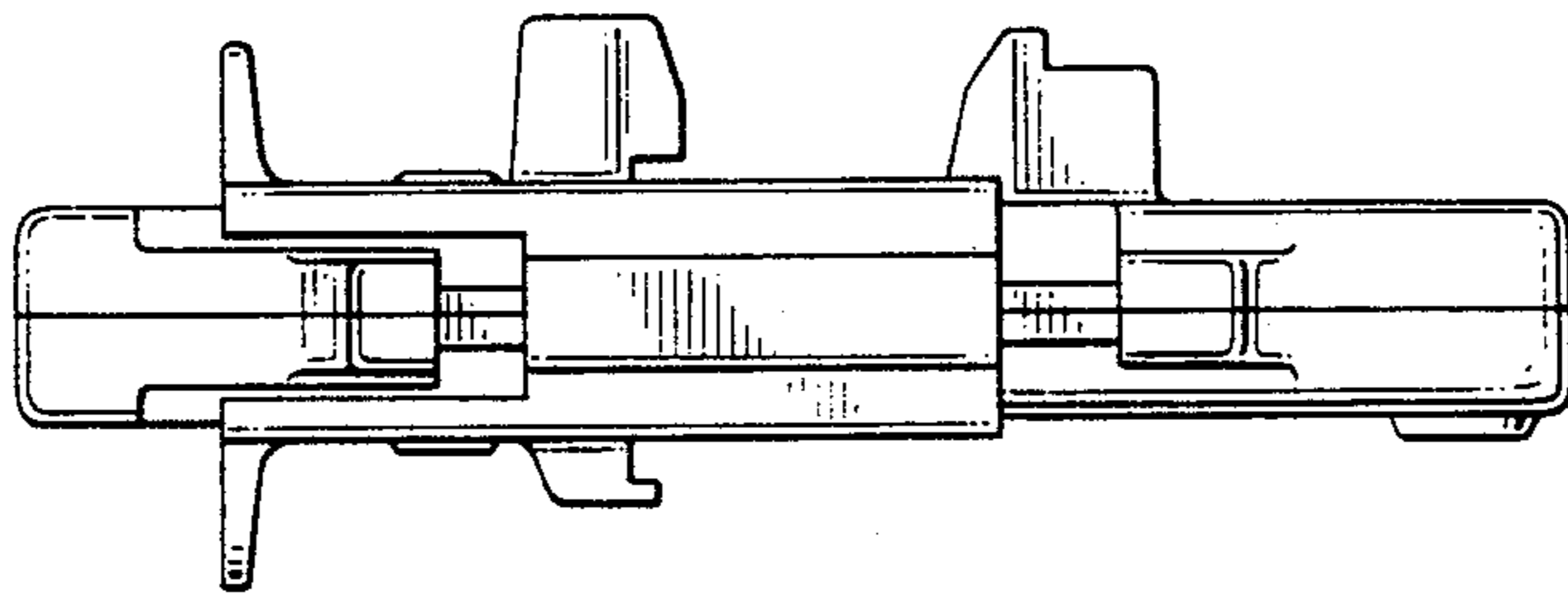
*Fig. 3*



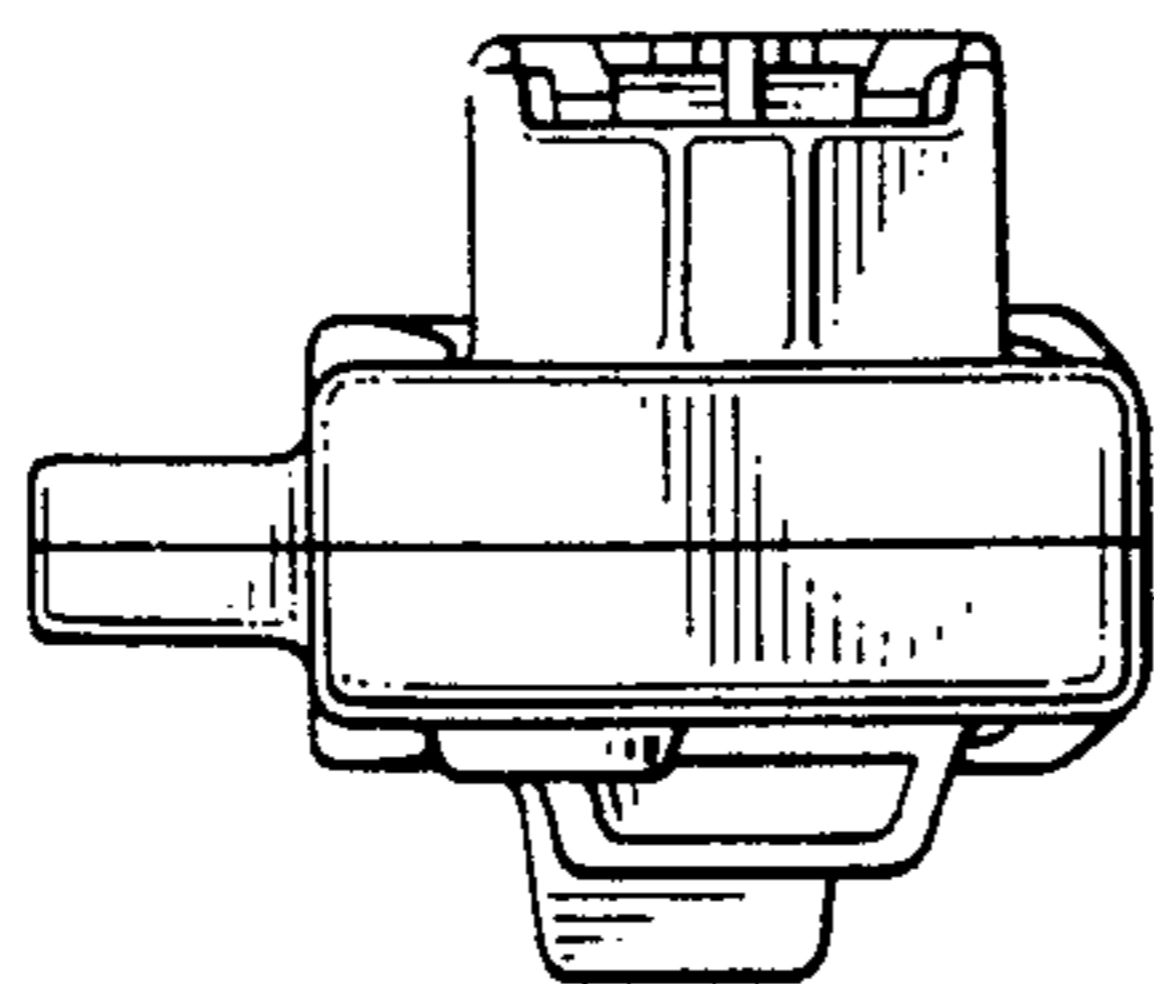
*FIG. 4*



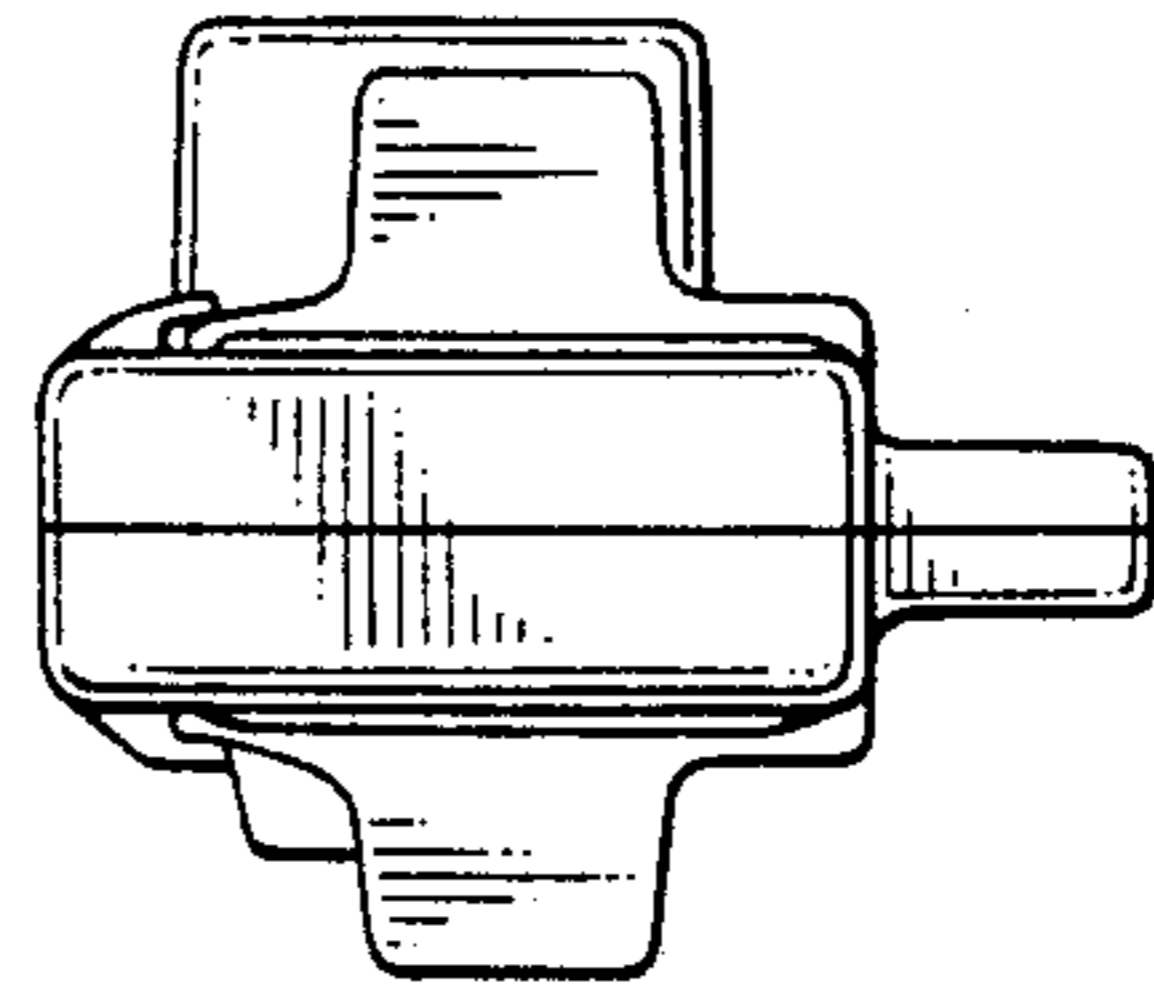
*FIG. 5*



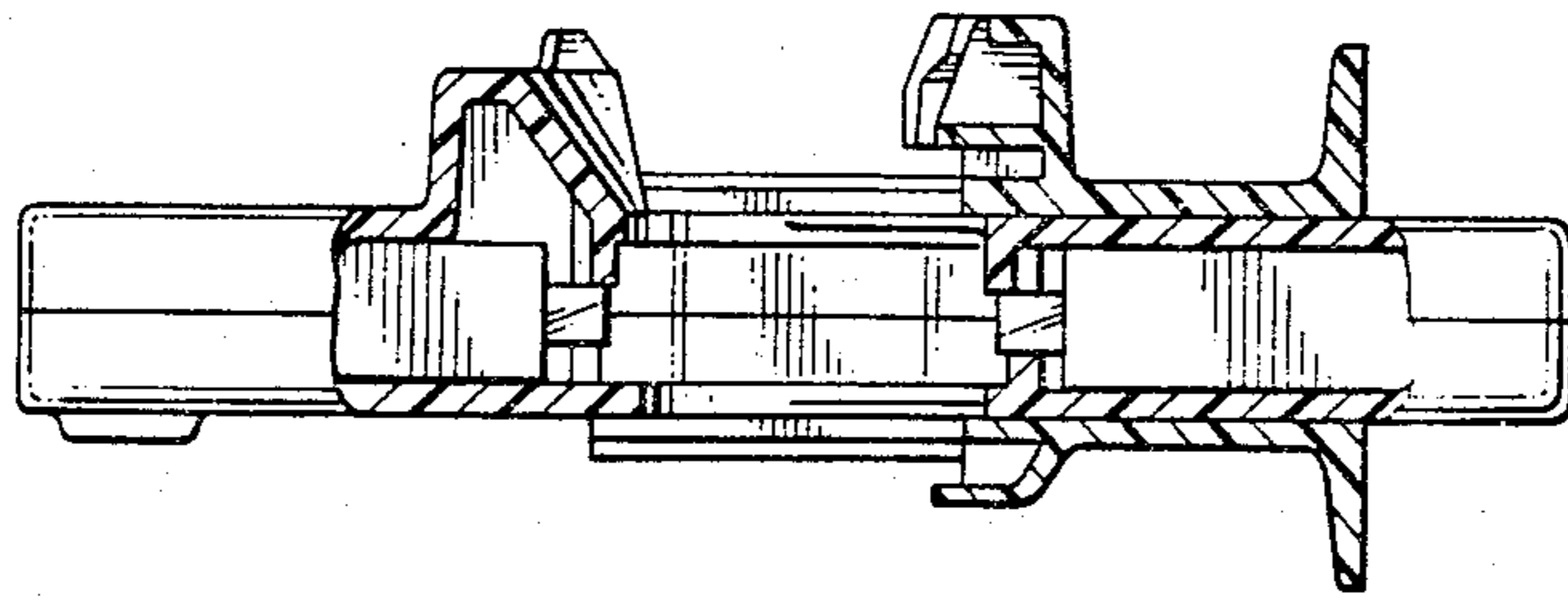
*FIG. 6*



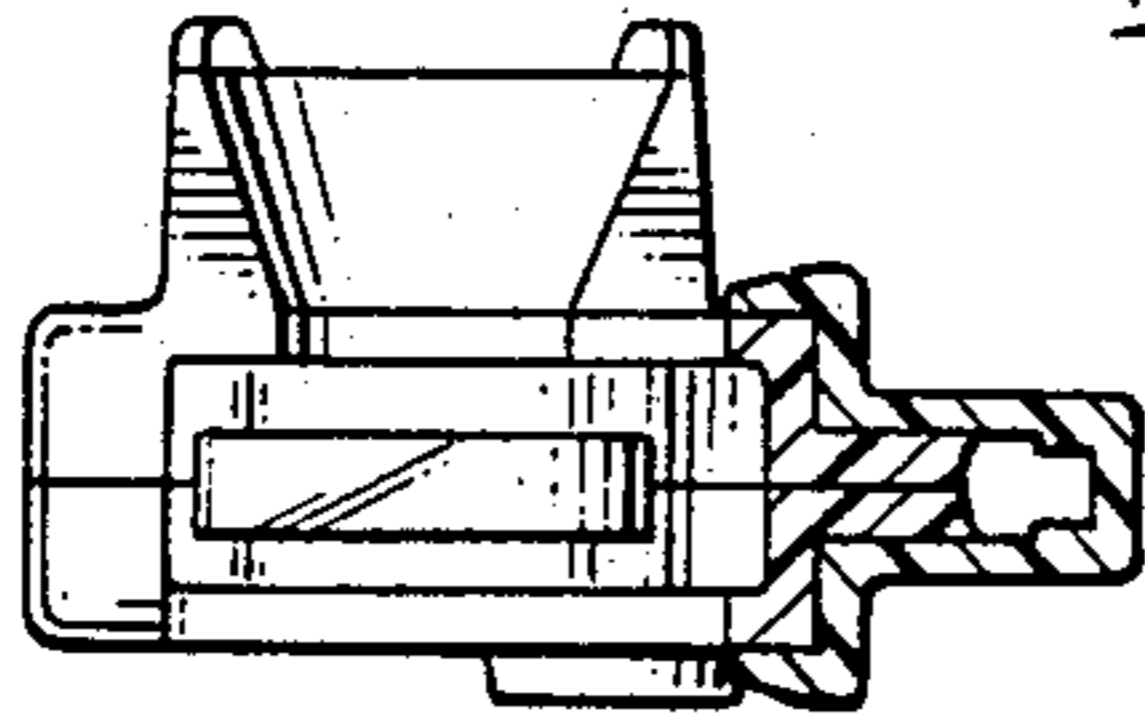
*FIG. 7*



*Fig. 8*



*Fig. 9*



*Fig. 10*

