

[54] ELECTRIC FAN

[75] Inventors: **Shuichi Kouno**, Tokorozawa;
Toshiyuki Utsuki, Tokyo; **Hideki Sakae**, Hino; **Kenichi Watanabe**, Hitachi, all of Japan

[73] Assignee: **Hitachi, Ltd.**, Tokyo, Japan

[**] Term: **14 Years**

[21] Appl. No.: **704,726**

[22] Filed: **Feb. 25, 1985**

[30] Foreign Application Priority Data

Nov. 2, 1984 [JP] Japan 59-45115

[52] U.S. Cl. **D23/157**

[58] Field of Search **D23/155-165;**
98/33.1, 40.01, 40.05, 40.07, 40.10, 40.12, 40.18,
40.20; 219/200-201, 228, 244, 254, 522, 530;
248/121, 130-131, 133, 163.1; 415/121.9, 123,
126, 210, 216-217, 219 R, 219 A, 219 B, 219 C;
416/5, 63, 147-148, 170 R, 244, 246-247;
417/234, 424

[56]

References Cited

U.S. PATENT DOCUMENTS

| | | | |
|------------|---------|----------------------|-----------|
| D. 53,967 | 10/1919 | Karle | D23/157 |
| D. 169,007 | 3/1953 | Lindberg et al. | D23/157 |
| D. 270,662 | 9/1983 | Scolto | D23/155 |
| D. 270,941 | 10/1983 | Lin | D23/155 |
| D. 276,550 | 11/1984 | Kouno et al. | D23/155 |
| 3,173,478 | 3/1965 | Magpen | D23/155 X |
| 4,278,233 | 7/1981 | Fanteux | 248/121 X |
| 4,341,151 | 7/1982 | Sakamoto | 417/234 X |

Primary Examiner—Wallace R. Burke
Assistant Examiner—Brian N. Vinson
Attorney, Agent, or Firm—Antonelli, Terry & Wands

[57]

CLAIM

The ornamental design for electric fan, as shown.

DESCRIPTION

FIG. 1 is a front, top and right side perspective view of a electric fan showing our new design;
FIG. 2 is a front elevational view thereof;
FIG. 3 is a right side elevational view thereof;
FIG. 4 is a rear elevational view thereof;
FIG. 5 is a left side elevational view thereof;
FIG. 6 is a top plan view thereof; and
FIG. 7 is a bottom plan view thereof.

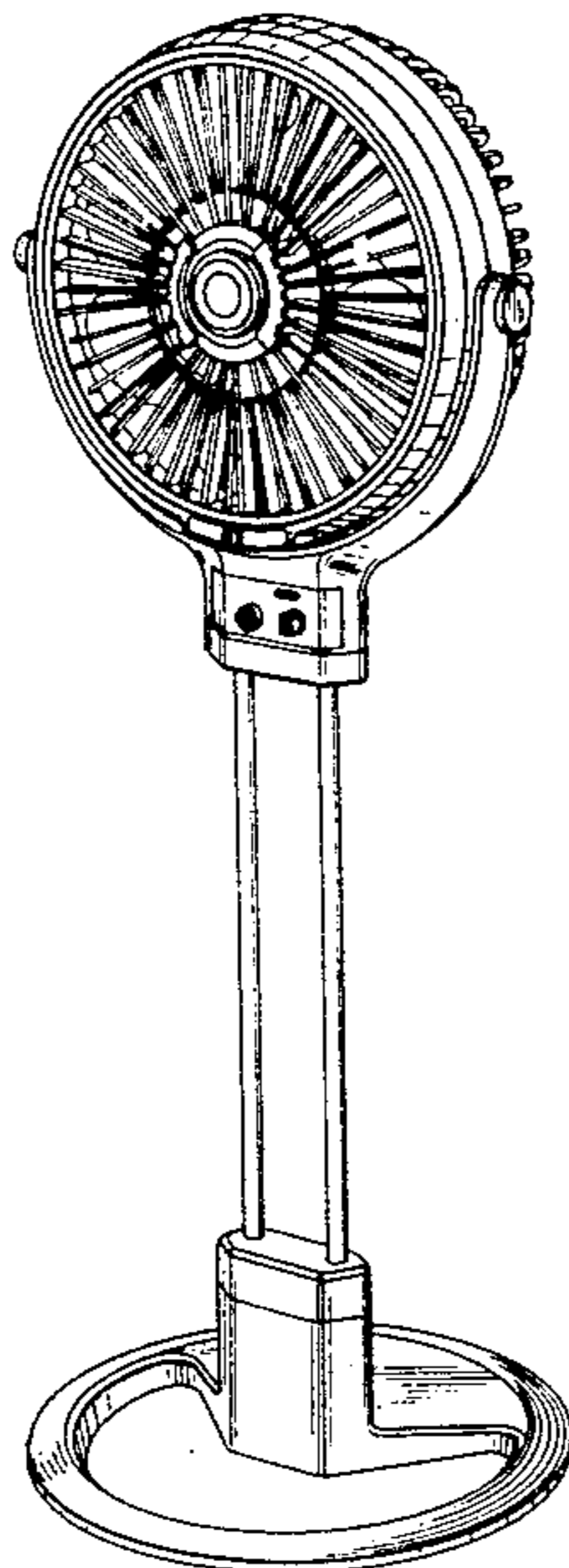


FIG. 1

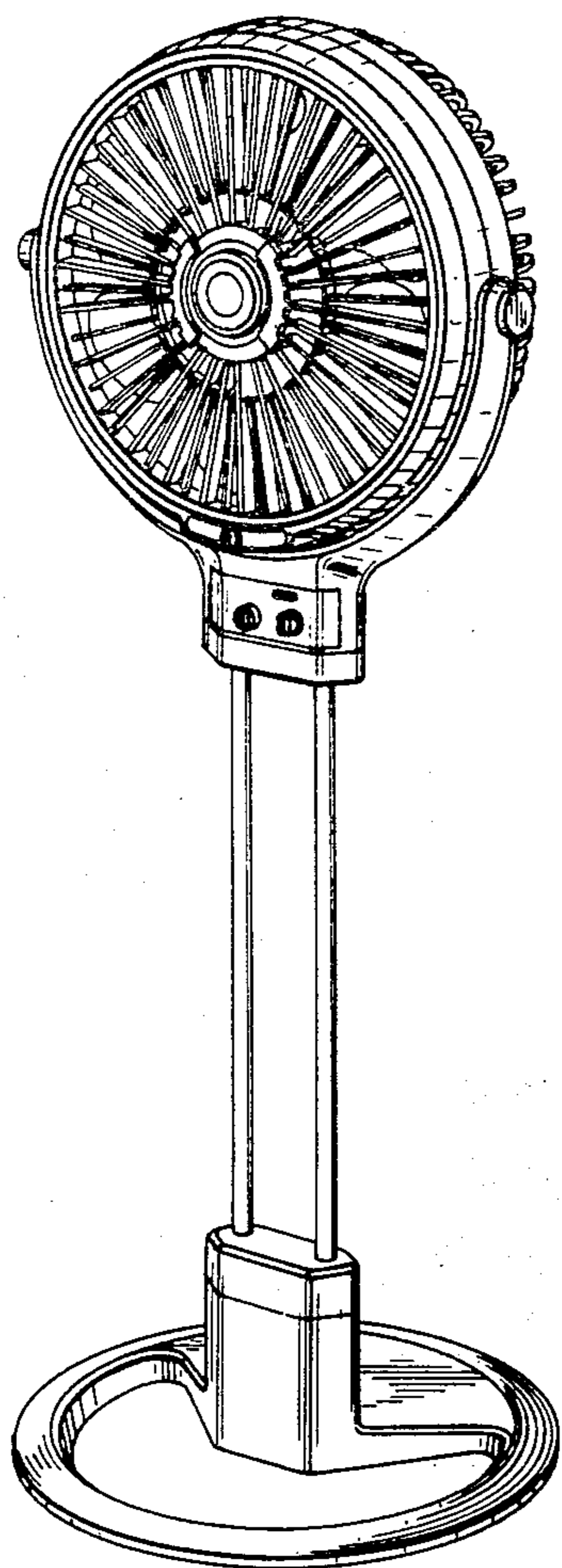


FIG. 2

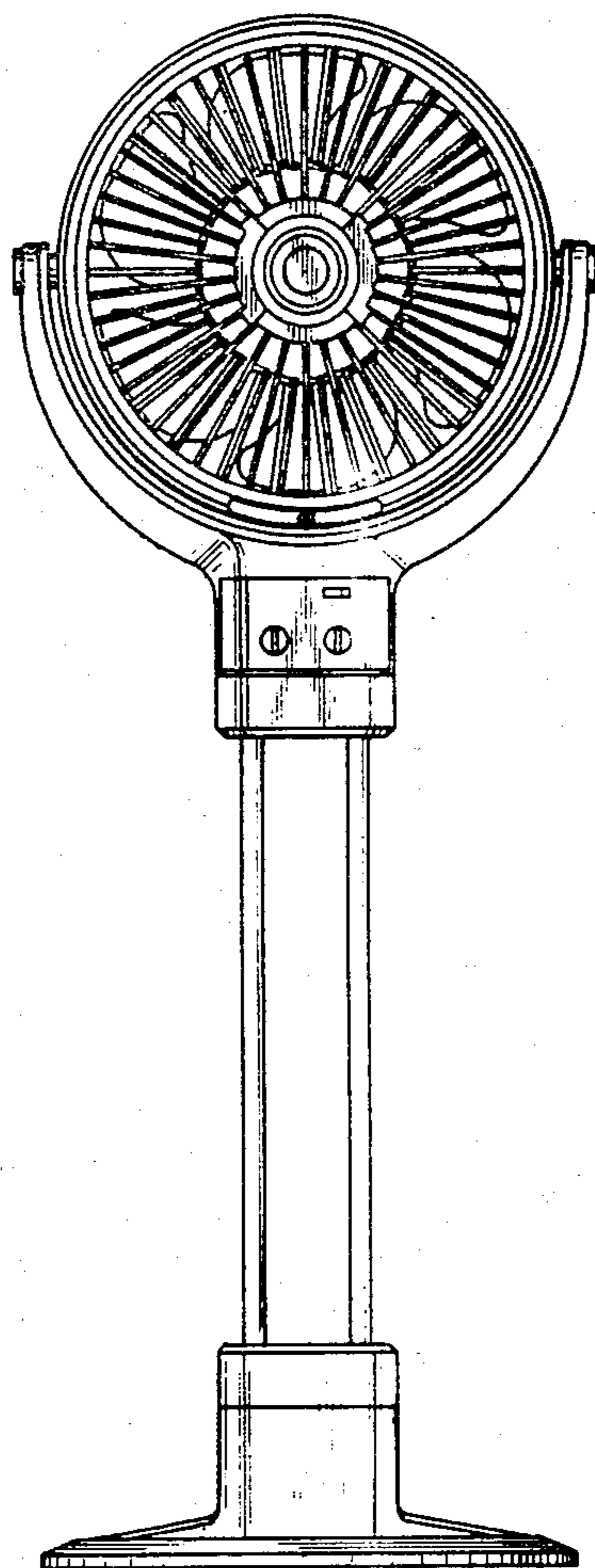


FIG. 3

FIG. 4

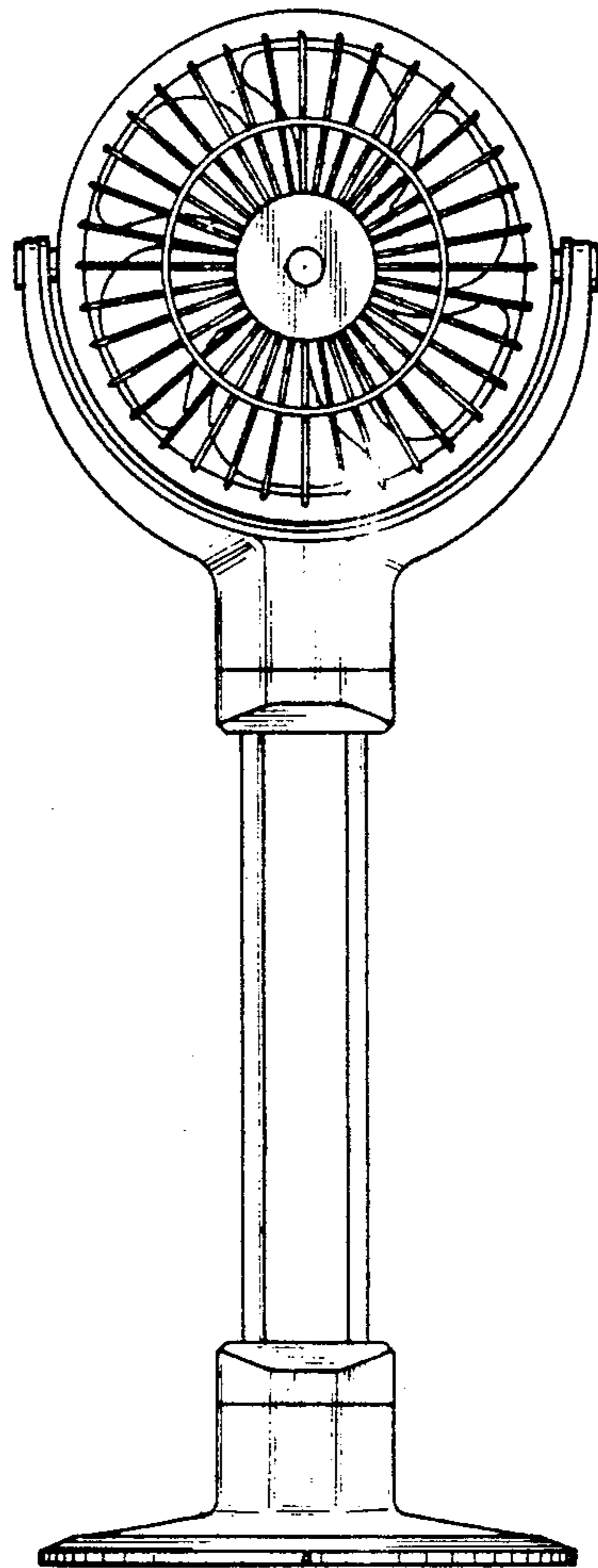
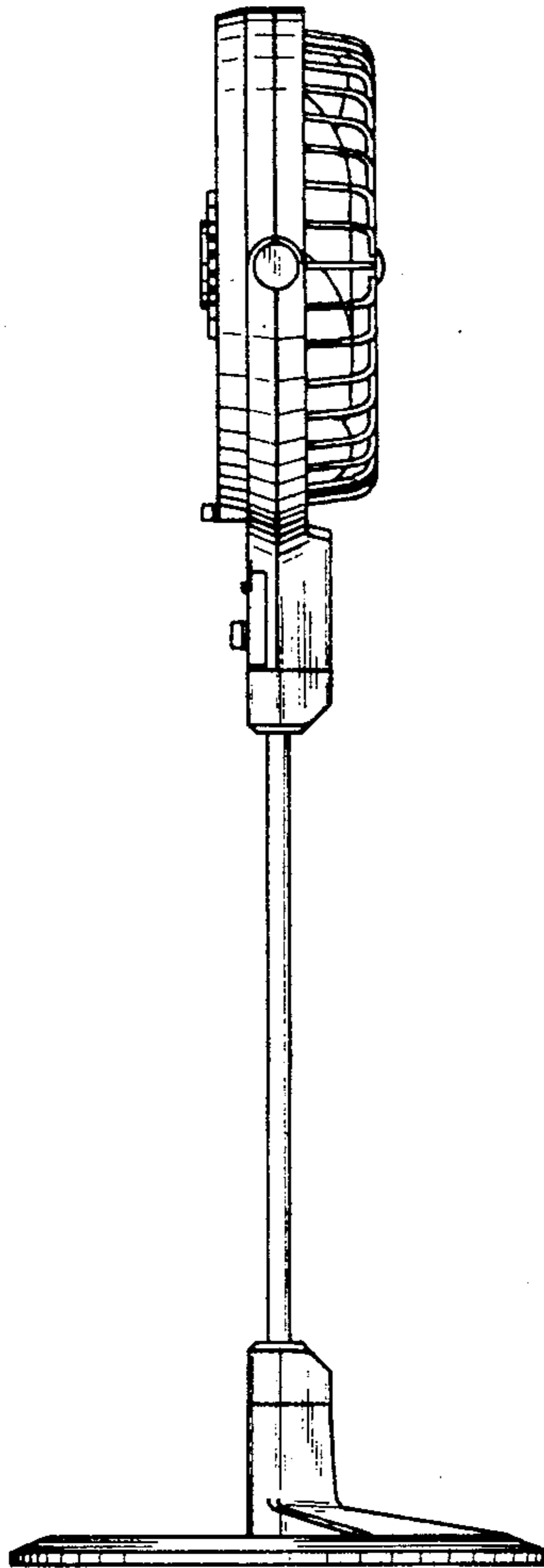


FIG. 5

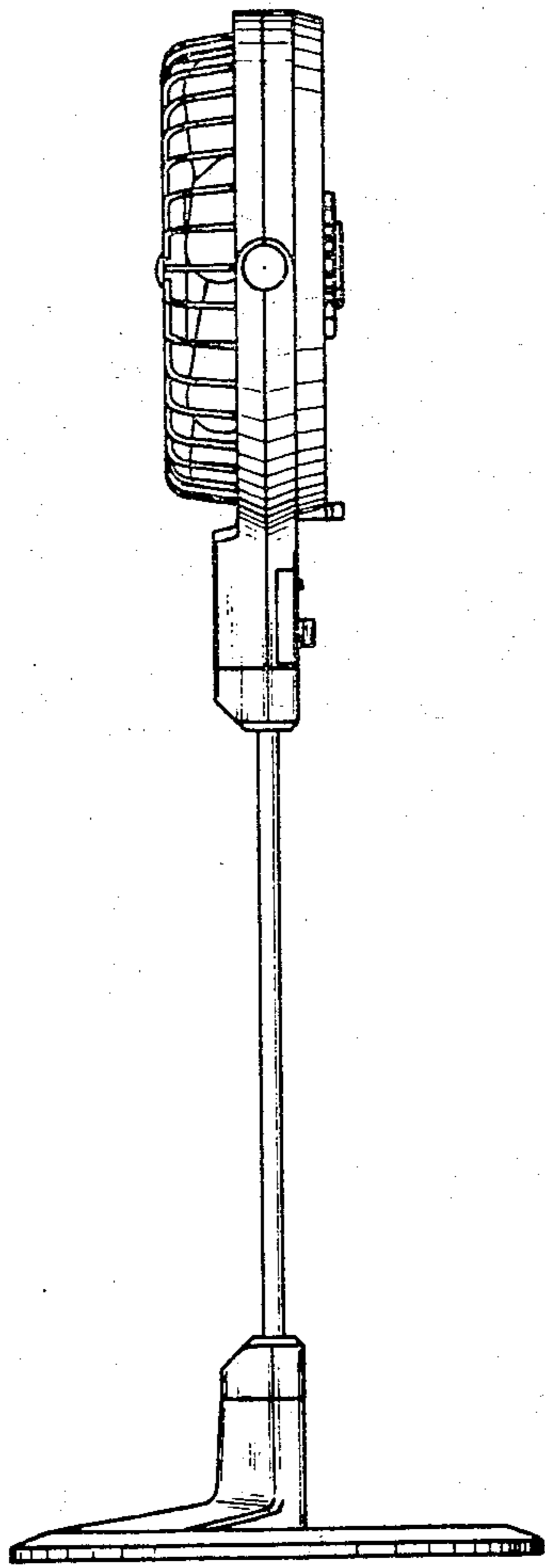


FIG. 6

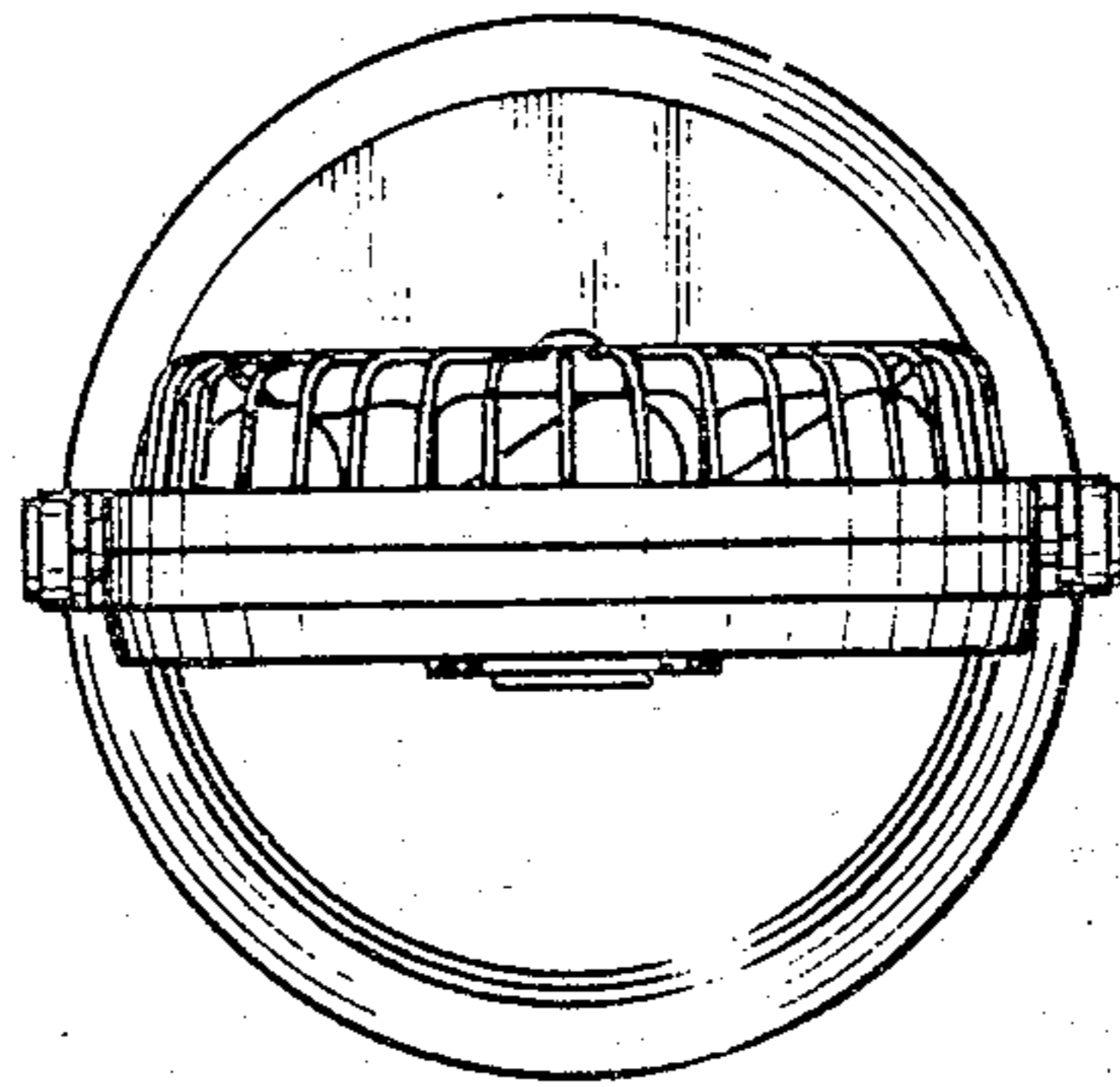


FIG. 7

