

[54] AIR CLEANER

[75] Inventor: Alfred Hitzler, Mochenwangen, Fed. Rep. of Germany

[73] Assignee: Biocomfort Produkte zur Gesundheitspflege GmbH, Esslingen, Fed. Rep. of Germany

[**] Term: 14 Years

[21] Appl. No.: 726,523

[22] Filed: Apr. 24, 1985

[30] Foreign Application Priority Data

Oct. 24, 1984 [DE] Fed. Rep. of Germany GR 11 1077/84

[52] U.S. Cl. D23/150

[58] Field of Search D23/146.50; 55/80, 97-99, 55/101, 122, 282, 279, 316, 467; 261/DIG. 42, DIG. 43, DIG. 65; 98/94; 128/202.25; D14/14, 16, 19, 23-24, 68-69, 71-73

[56] References Cited

U.S. PATENT DOCUMENTS

- D. 272,558 2/1984 Grenbel D23/149
- D. 272,645 2/1984 Muller D23/149

- D. 272,646 2/1984 Tsuji et al. D23/149
- D. 274,645 7/1984 Grube D23/149
- D. 280,128 8/1985 Doyle et al. D23/149
- D. 280,129 8/1985 Doyle D23/149
- D. 285,603 9/1986 Martin D23/150

OTHER PUBLICATIONS

Hong Kong Household, Oct. 1984—"Turbo Air Cleaner", p. 55.

Primary Examiner—Catherine E. Kemper

Assistant Examiner—Brian N. Vinson

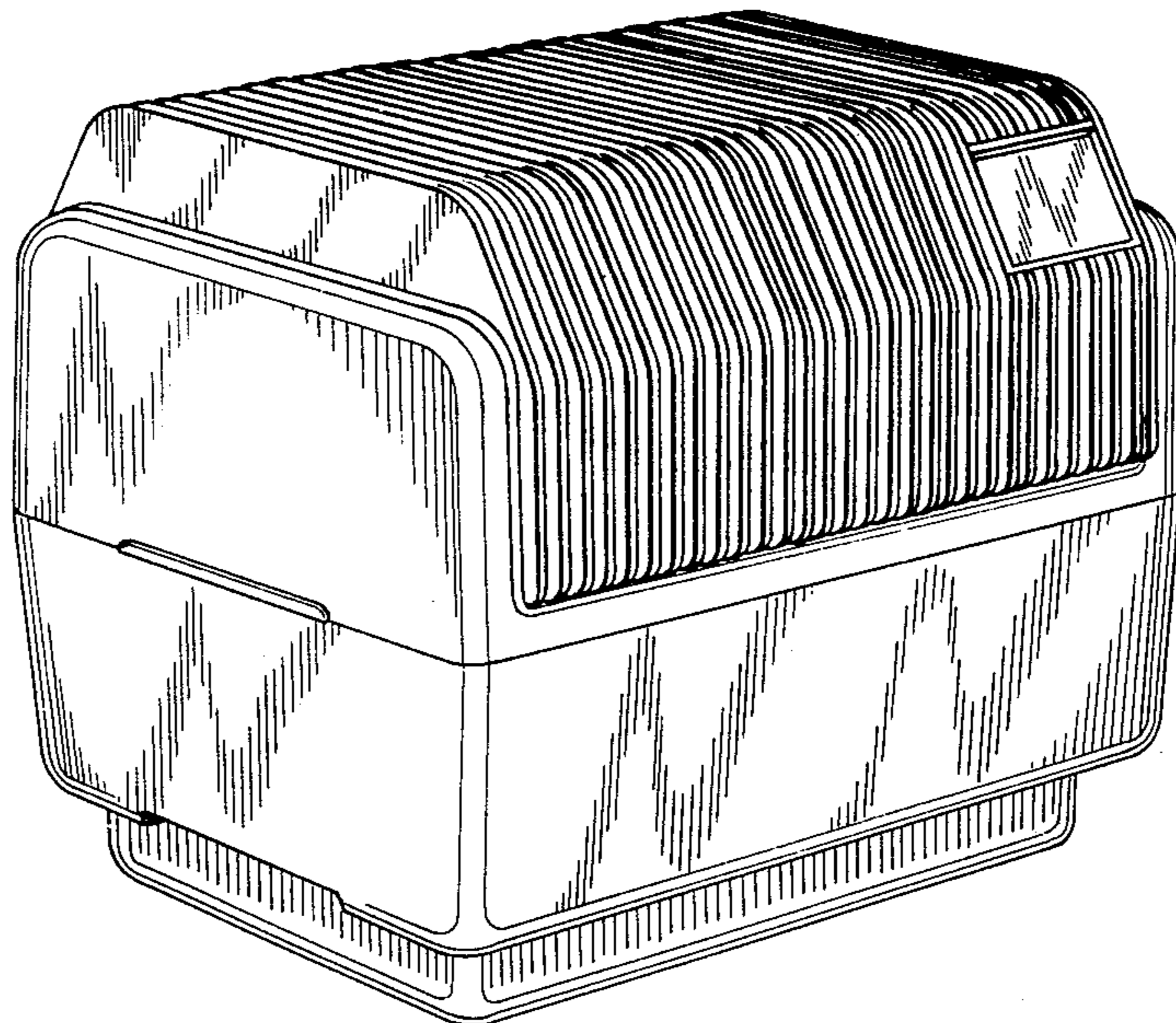
Attorney, Agent, or Firm—Flynn, Thiel, Boutell & Tanis

[57] CLAIM

The ornamental design for an air cleaner, as shown and described.

DESCRIPTION

FIG. 1 is a top and front perspective view of an air cleaner showing my new design;
 FIG. 2 is a rear perspective view thereof;
 FIG. 3 is a front elevational view thereof;
 FIG. 4 is a rear elevational view thereof;
 FIG. 5 is a left side elevational view thereof, the right side being identical in appearance; and
 FIG. 6 is a top plan view thereof.



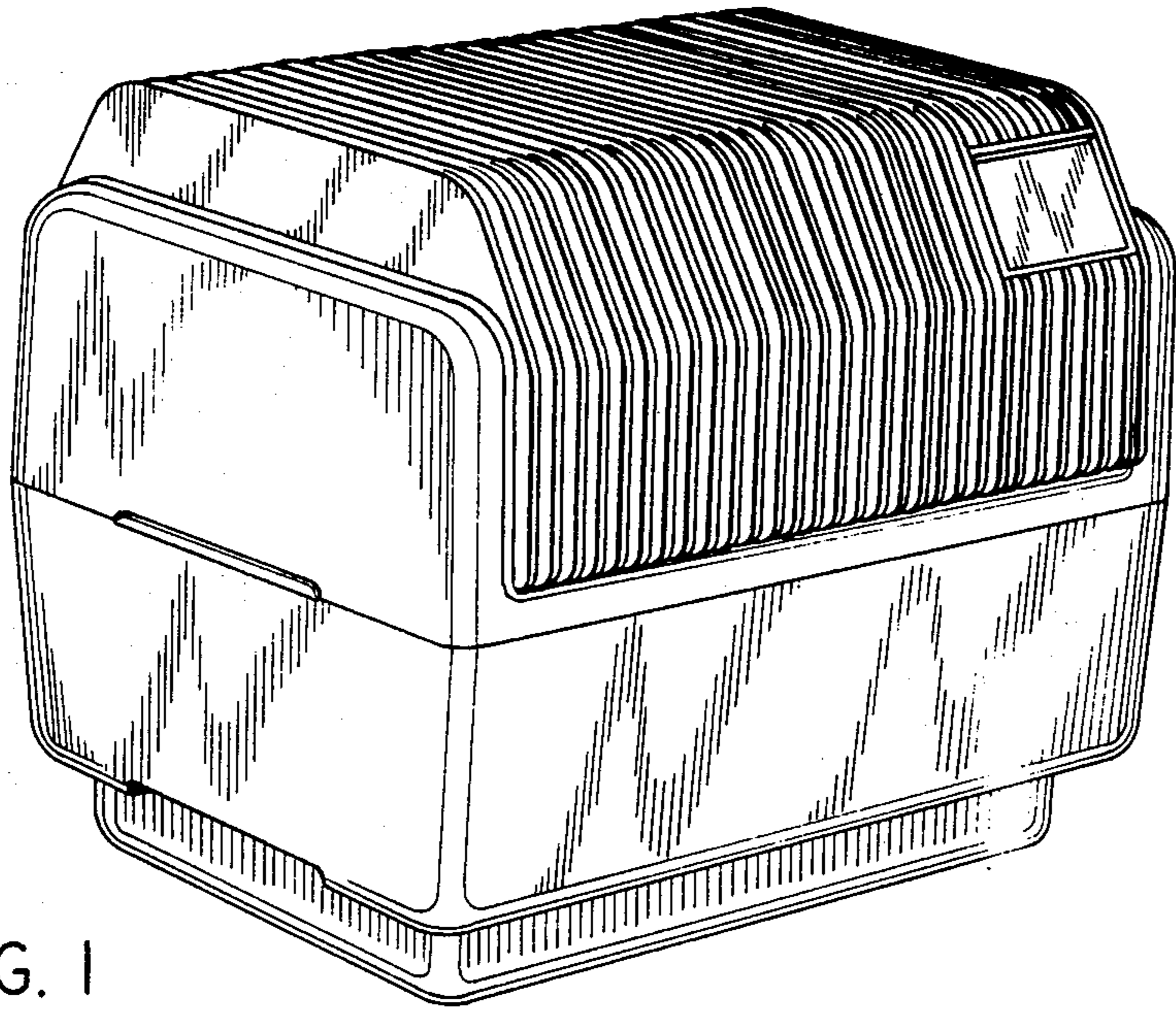


FIG. 1

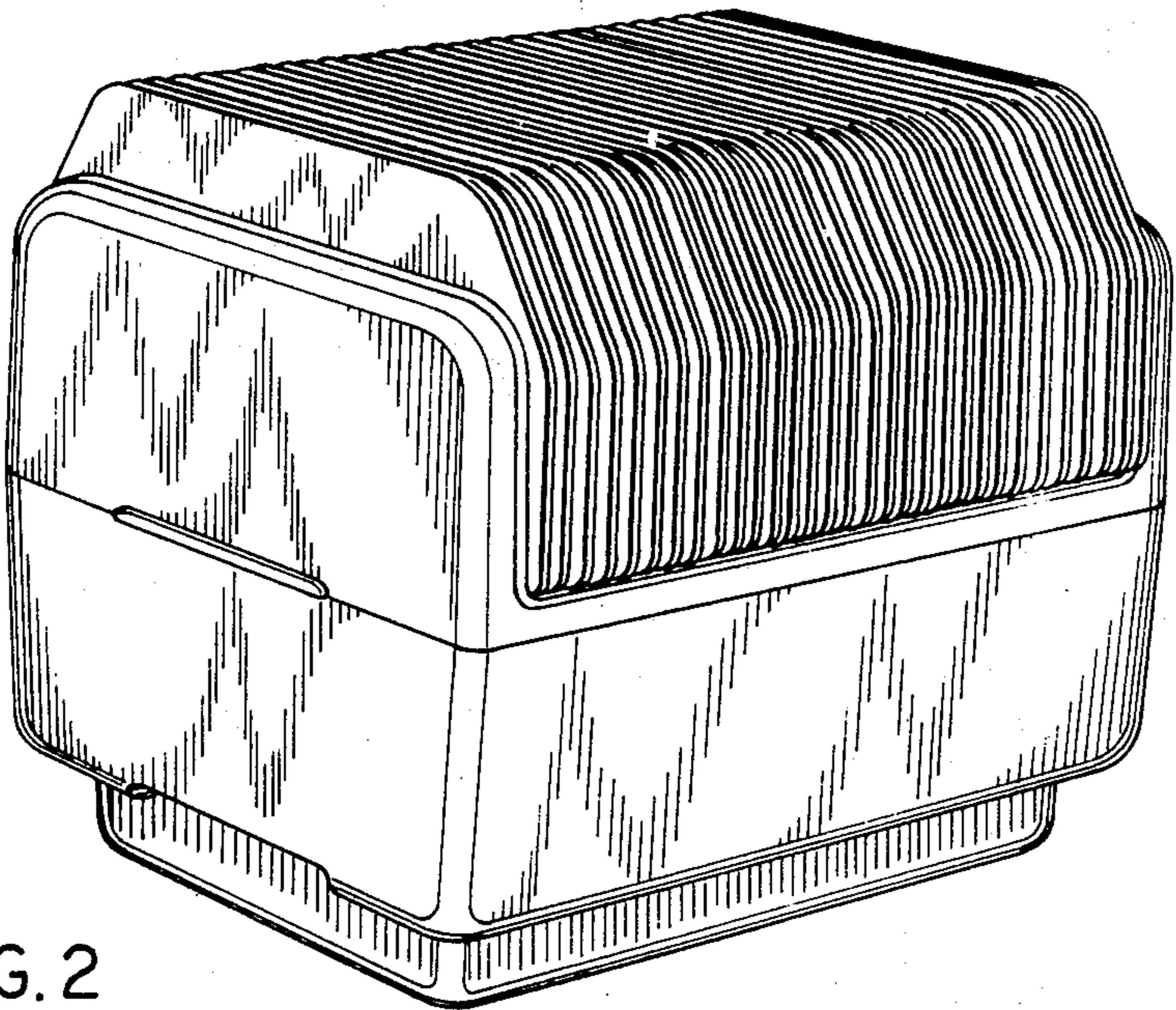


FIG. 2

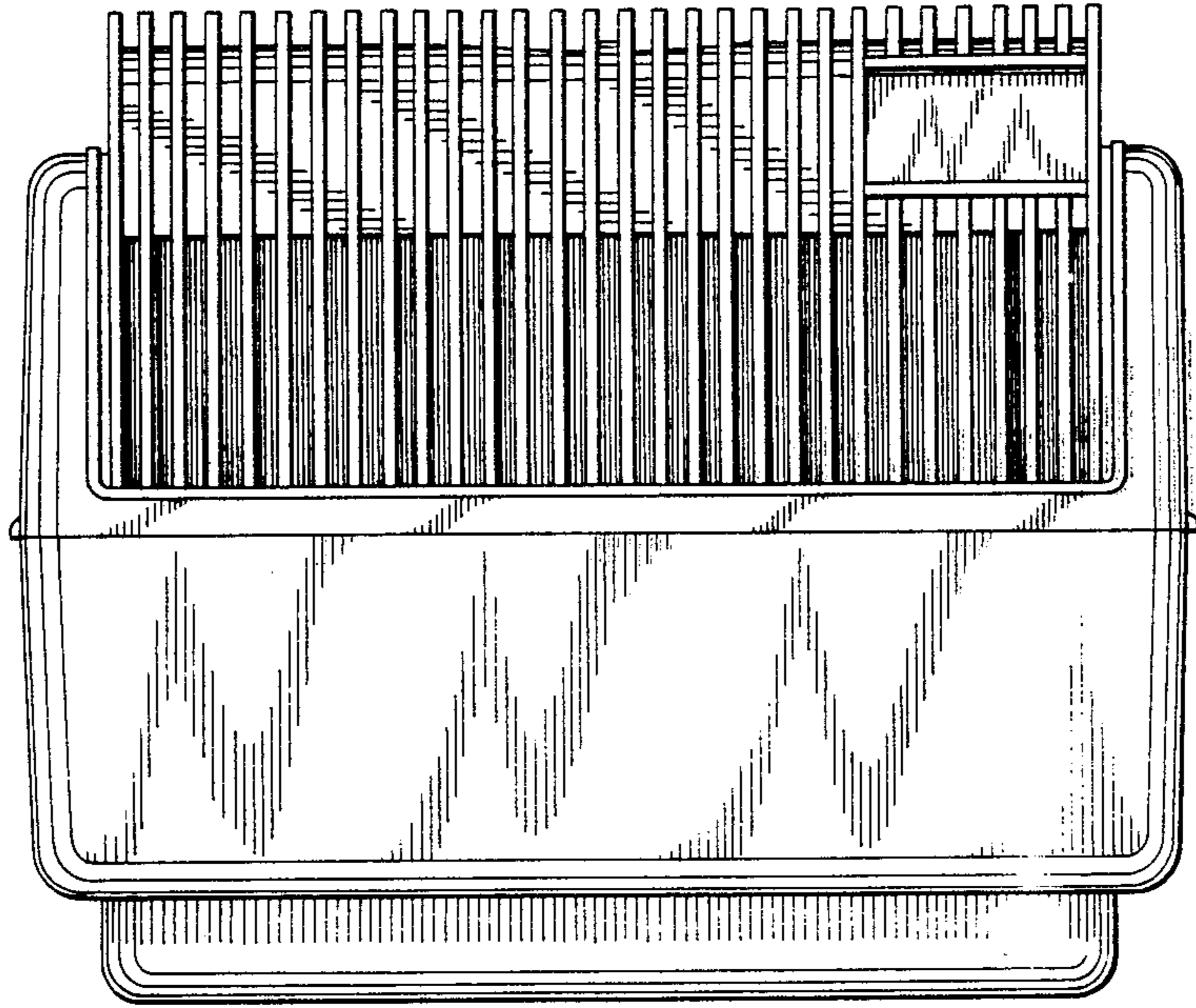


FIG. 3

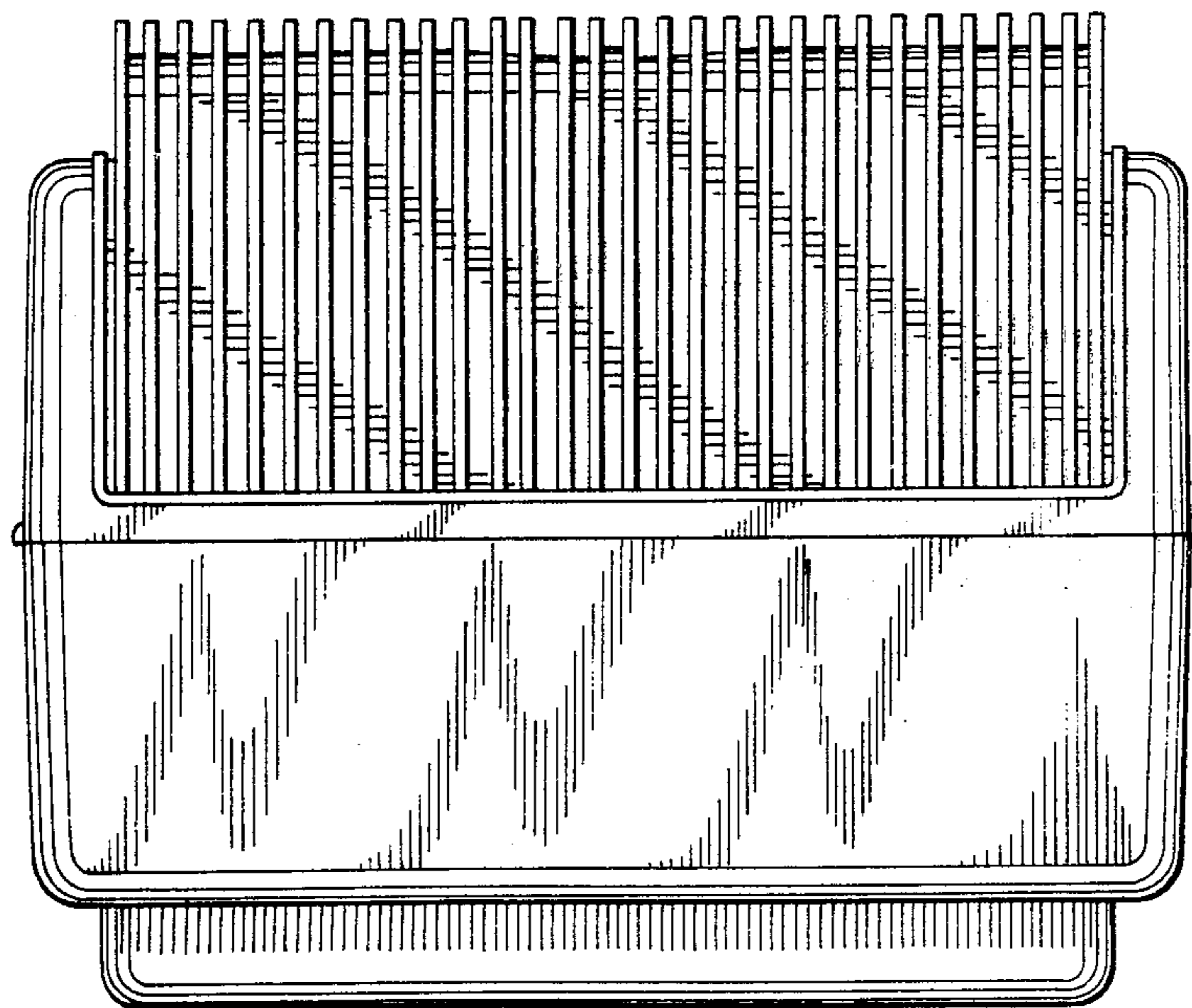


FIG. 4

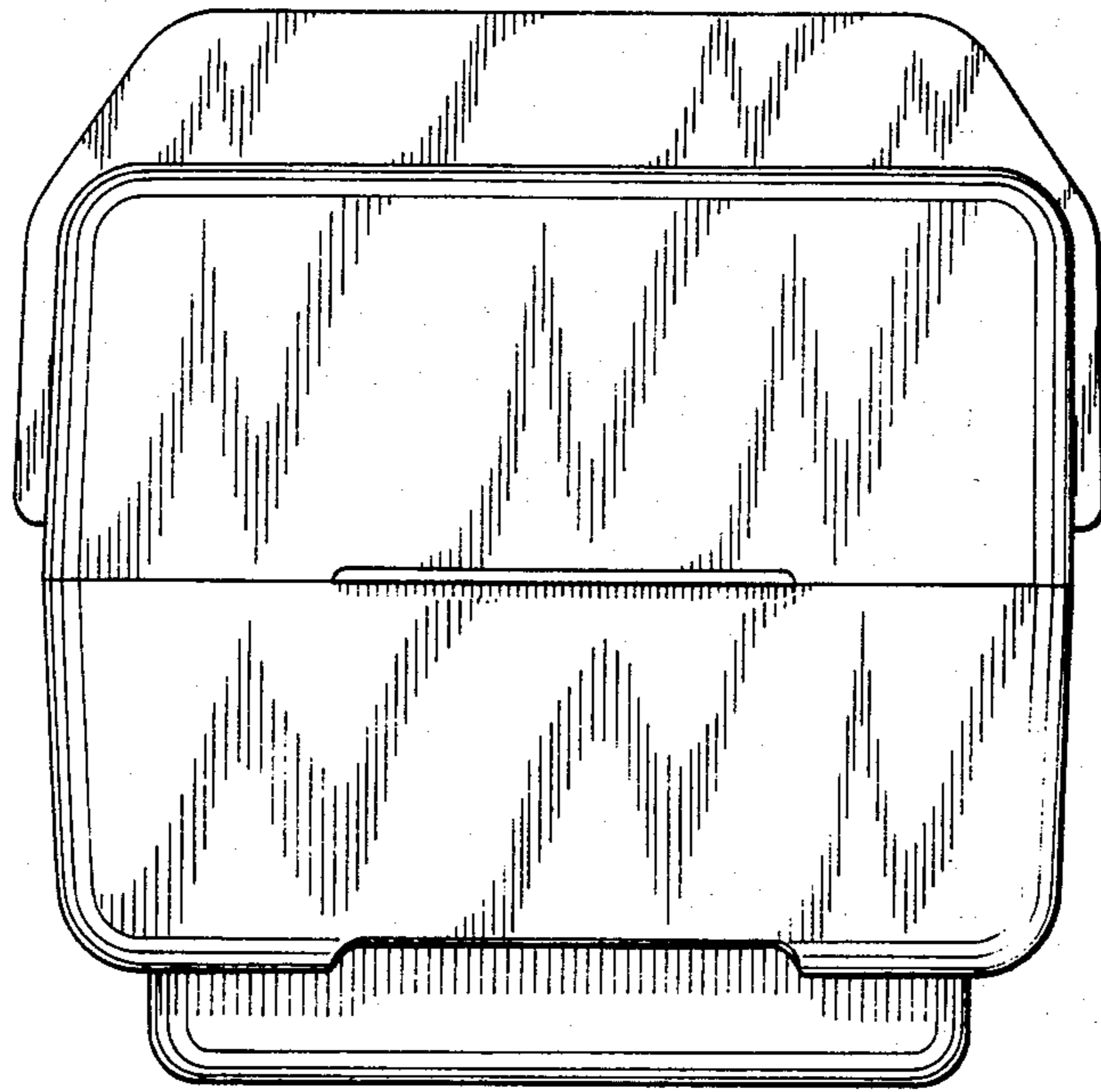


FIG. 5

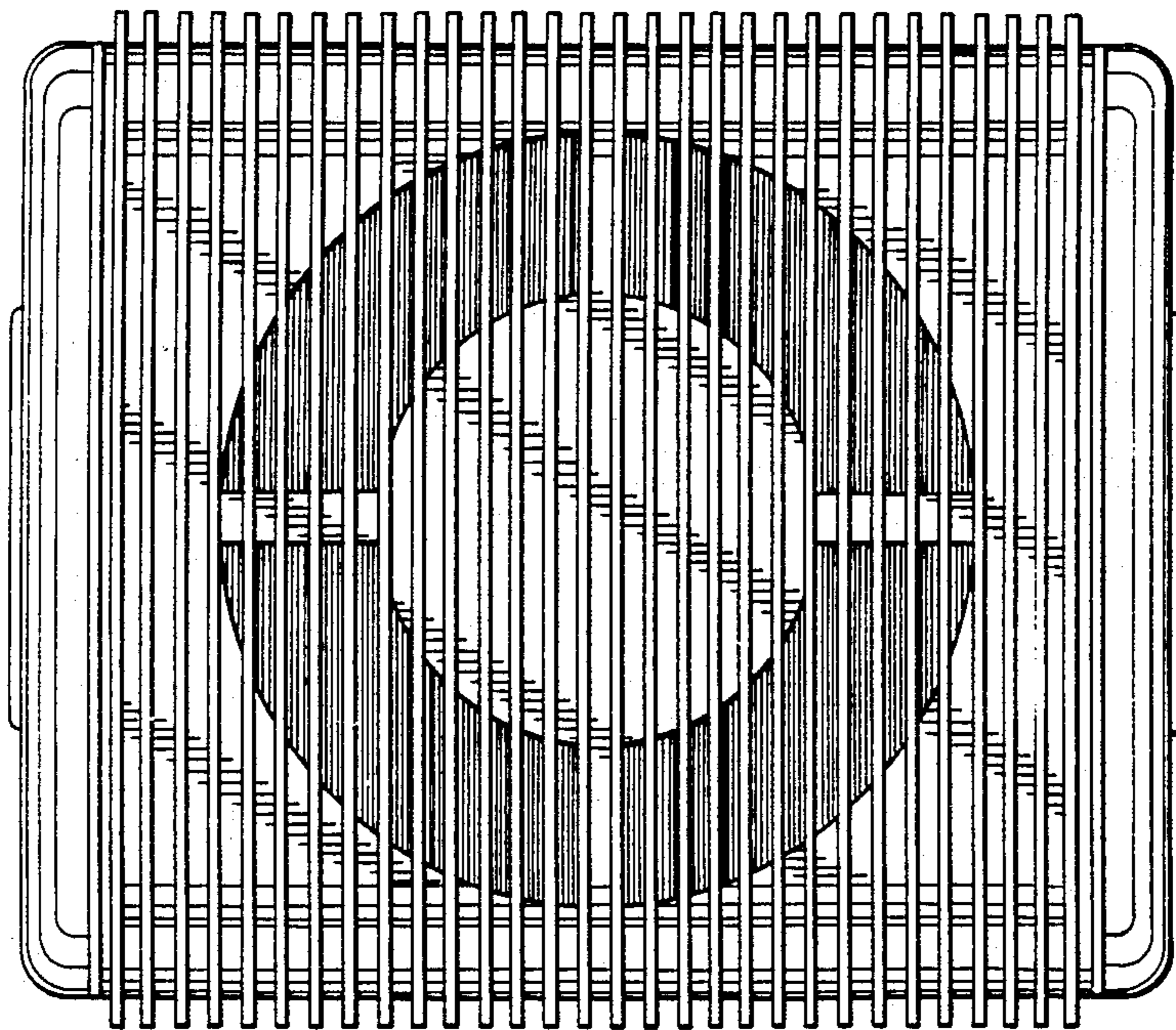


FIG. 6