

[54] **HEATING STOVE**

[75] **Inventor: Paul O'Reilly, Auburn, Australia**

[73] **Assignee: Cook on Gas Products Pty. Limited,  
Auburn, Australia**

[\*\*] **Term: 14 Years**

[21] **Appl. No.: 673,609**

[22] **Filed: Nov. 21, 1984**

[30] **Foreign Application Priority Data**

May 25, 1984 [AU] Australia ..... 7621/84

[52] **U.S. Cl. .... D23/97**

[58] **Field of Search .... D23/92-97,  
D23/105; 126/4, 6, 58, 60-66, 120, 121, 123,  
126**

[56] **References Cited**

**U.S. PATENT DOCUMENTS**

D. 254,389	3/1980	Freeland .....	D23/97
D. 254,865	4/1980	Saye .....	D23/97
D. 255,710	7/1980	Heine .....	D23/97
D. 265,339	7/1982	Baughman .....	D23/97

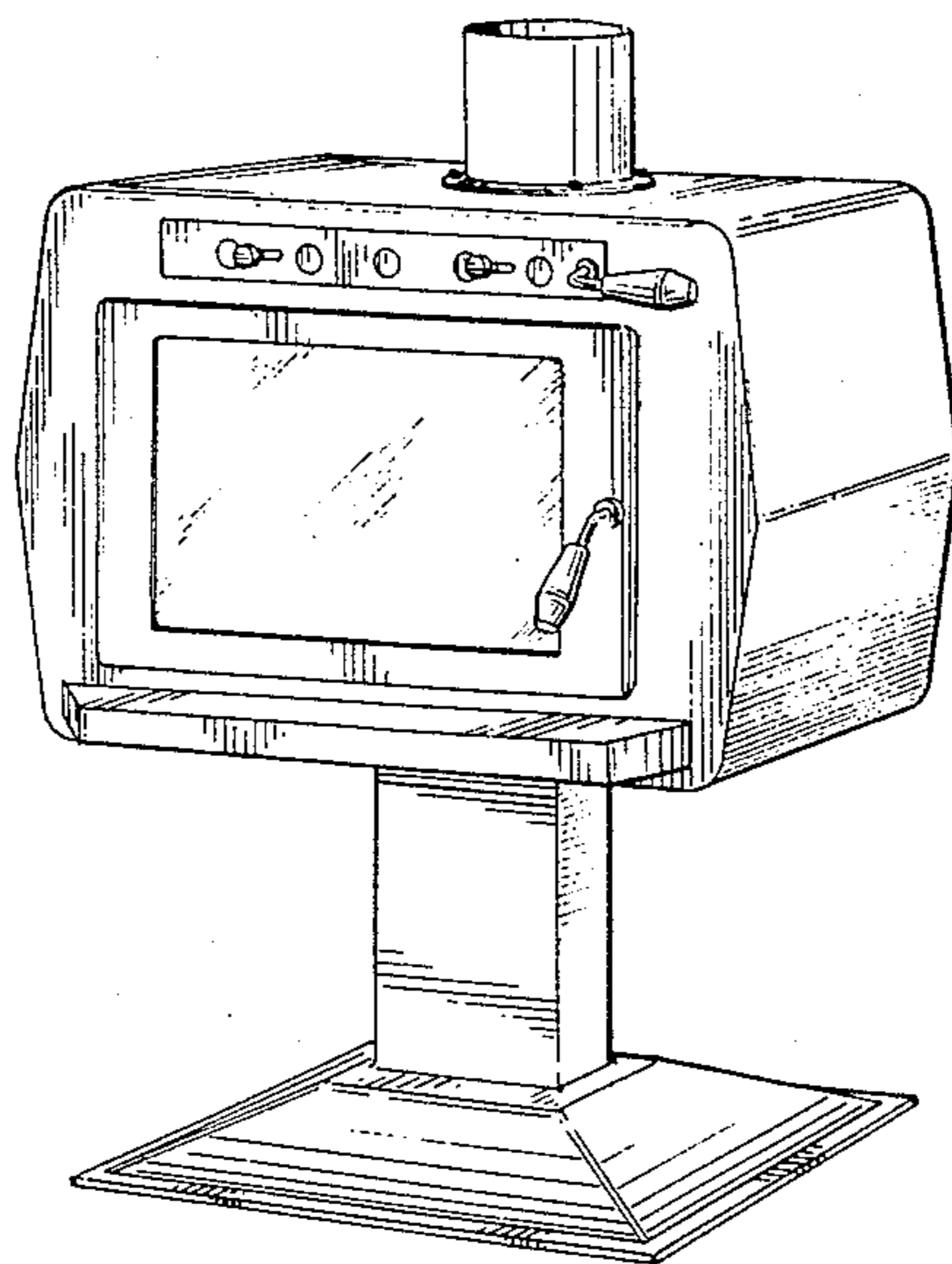
*Primary Examiner*—Catherine E. Kemper  
*Attorney, Agent, or Firm*—Anthony A. O'Brien

[57] **CLAIM**

The ornamental design for a heating stove, as shown.

**DESCRIPTION**

FIG. 1 is a front perspective view of a heating stove, showing my new design;  
FIG. 2 is a top plan view thereof;  
FIG. 3 is a rear elevational view thereof;  
FIG. 4 is a bottom plan view thereof;  
FIG. 5 is a side elevational view thereof.



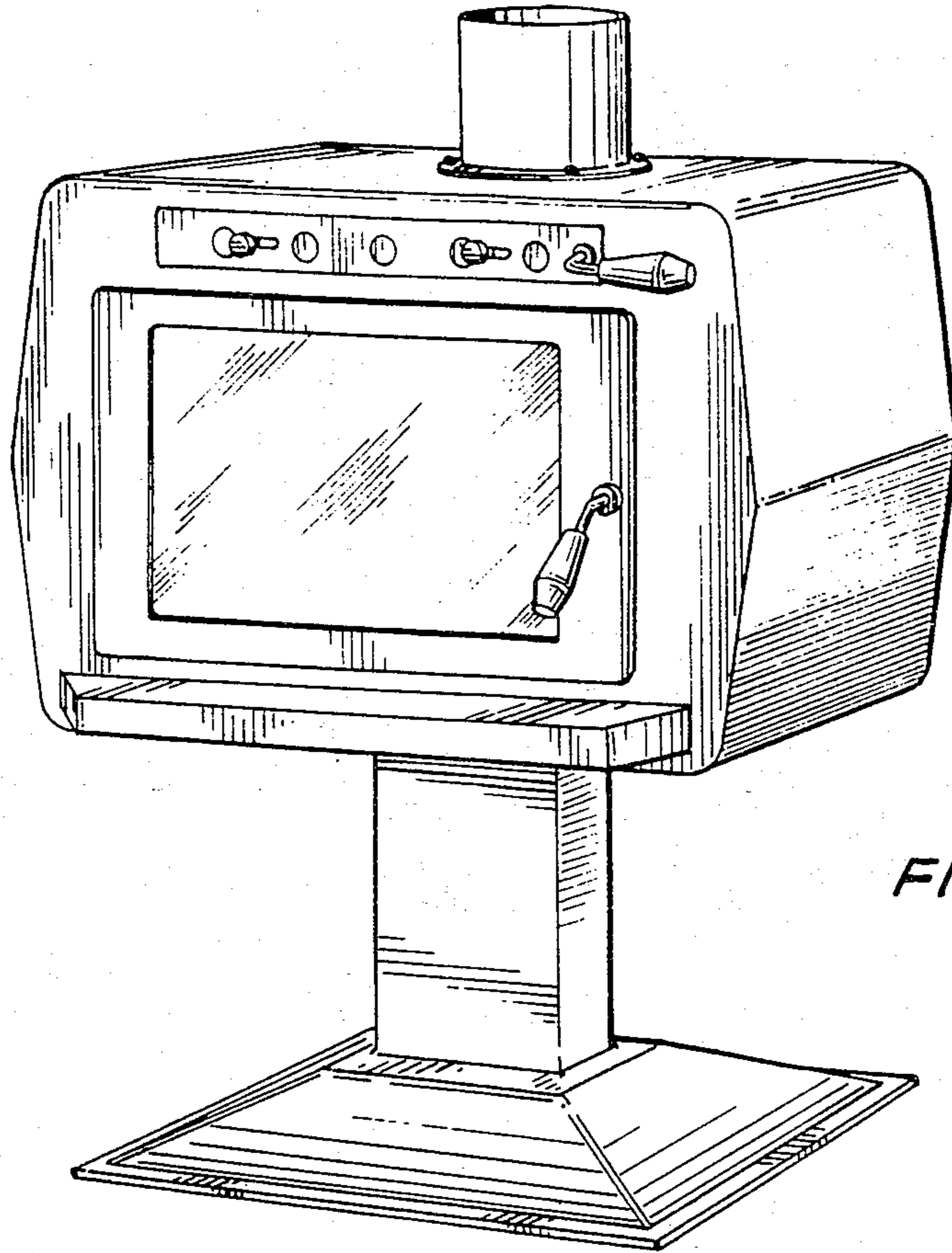


FIG. 1

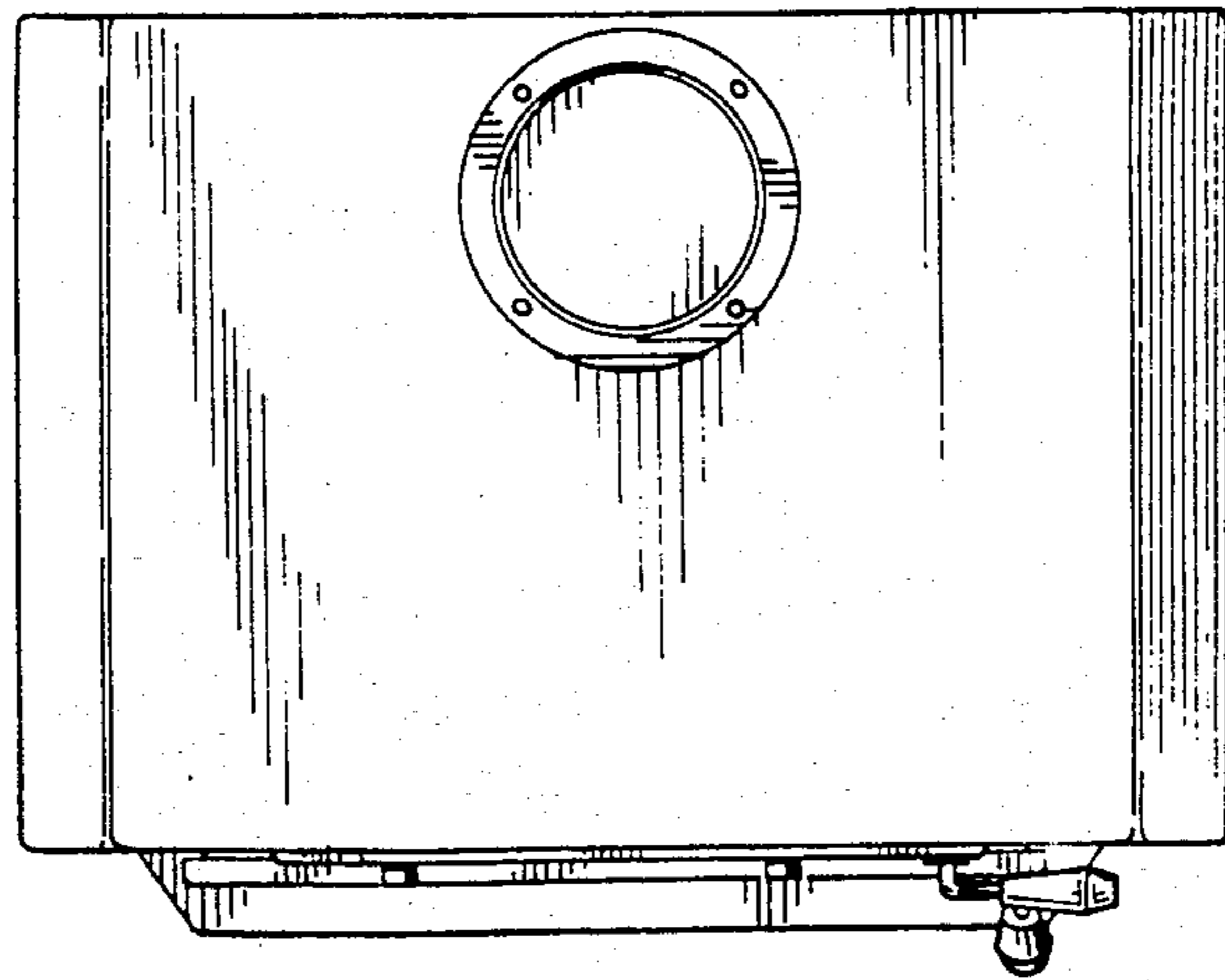


FIG. 2

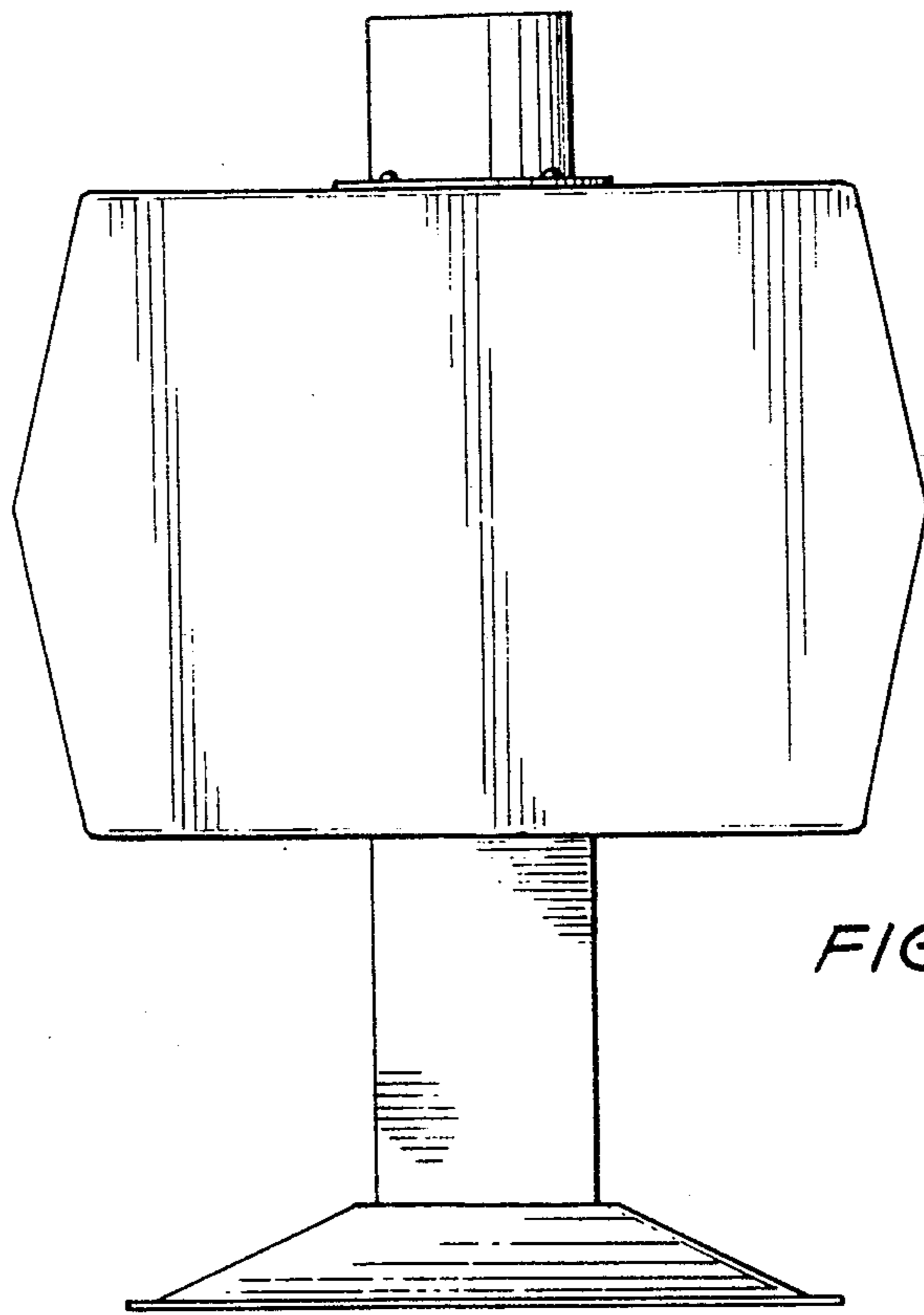


FIG. 3

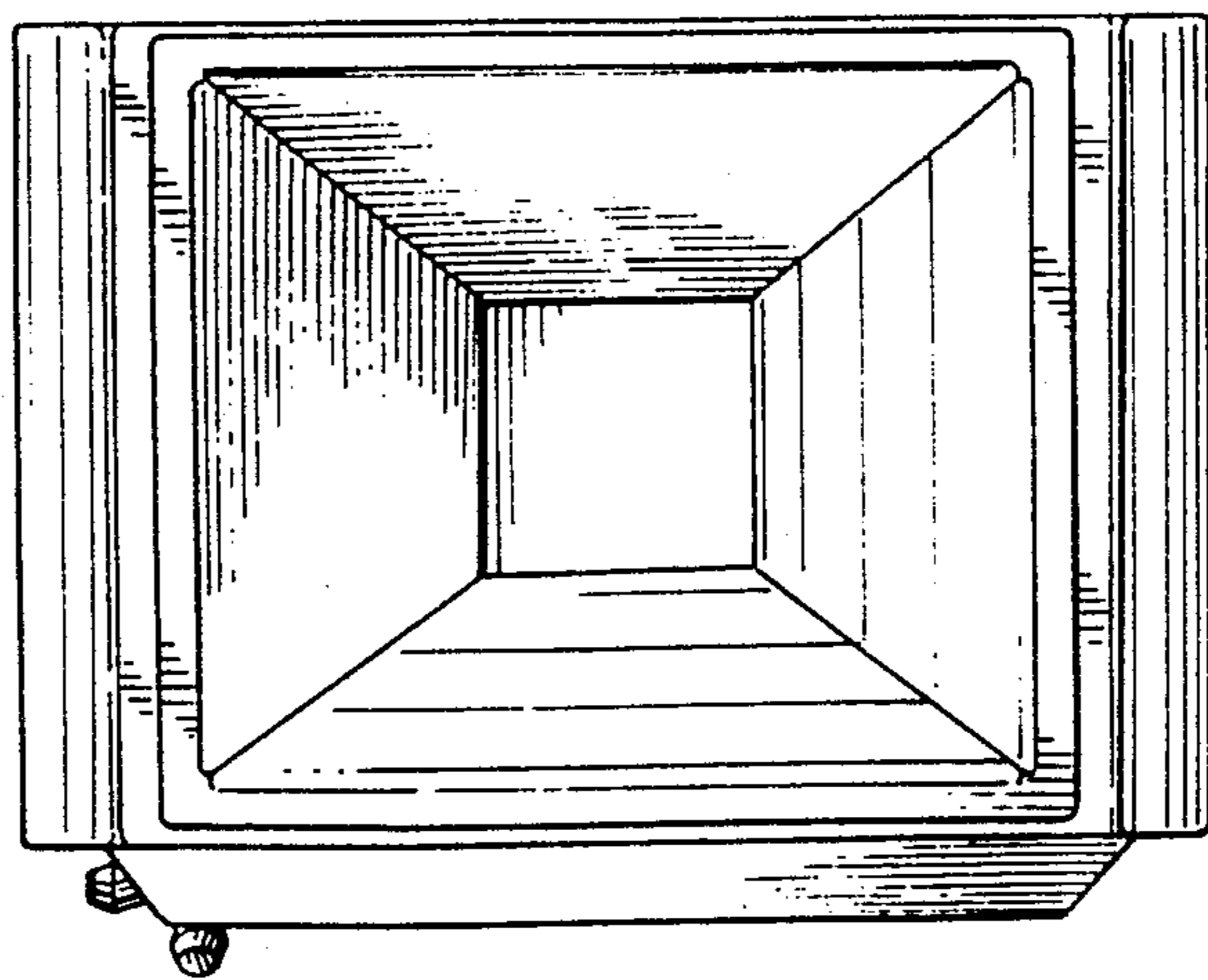


FIG. 4

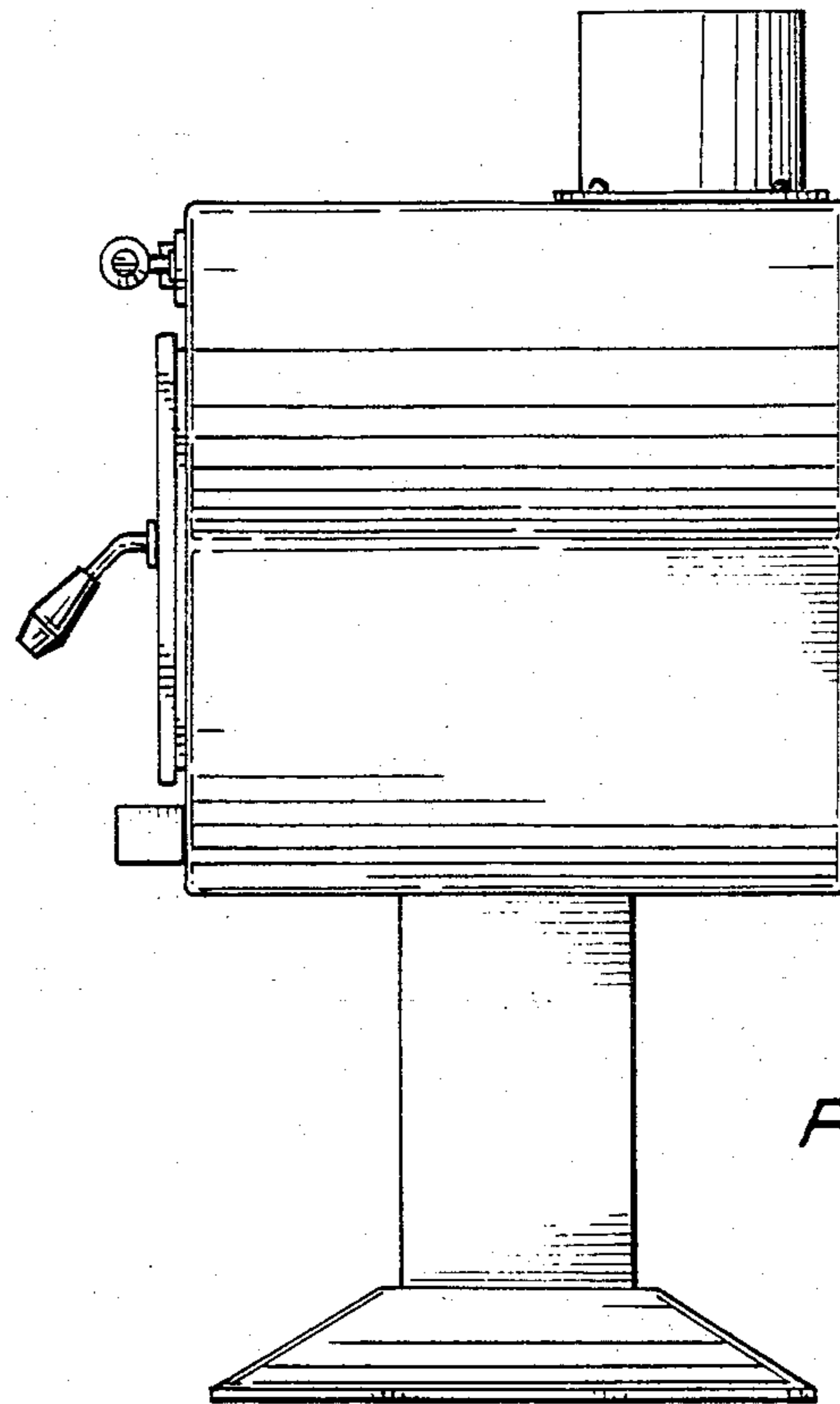


FIG. 5