

United States Patent [19]

Sakamoto et al.

[11] Patent Number: **Des. 291,346**

[45] Date of Patent: **** Aug. 11, 1987**

[54] FISHING REEL

[75] Inventors: **Masakazu Sakamoto; Teruhisa Numata**, both of Tokyo, Japan

[73] Assignee: **Ryobi Limited**, Hiroshima, Japan

[**] Term: **14 Years**

[21] Appl. No.: **645,922**

[22] Filed: **Aug. 30, 1984**

[30] Foreign Application Priority Data

Apr. 25, 1984 [JP] Japan 59-17179

[52] U.S. Cl. **D22/140**

[58] Field of Search **D22/140, 141;**
242/84.1 R, 84.1 R-84.1 J, 84.2 R-84.2 J, 84.21 R, 84.21 A

[56] References Cited

U.S. PATENT DOCUMENTS

D. 258,904 4/1981 Myojo D22/140
D. 266,184 9/1982 Iinuma et al. D22/140

Primary Examiner—A. Hugo Word
Attorney, Agent, or Firm—Frishauf, Holtz, Goodman & Woodward

[57] CLAIM

The ornamental design for a fishing reel, as shown and described.

DESCRIPTION

FIG. 1 is a front-left side perspective view of a fishing reel showing our new design;
FIG. 2 is a rear-left side perspective view thereof;
FIG. 3 is a front elevational view thereof;
FIG. 4 is a bottom plan view thereof; and
FIG. 5 is a left-side elevational view thereof.

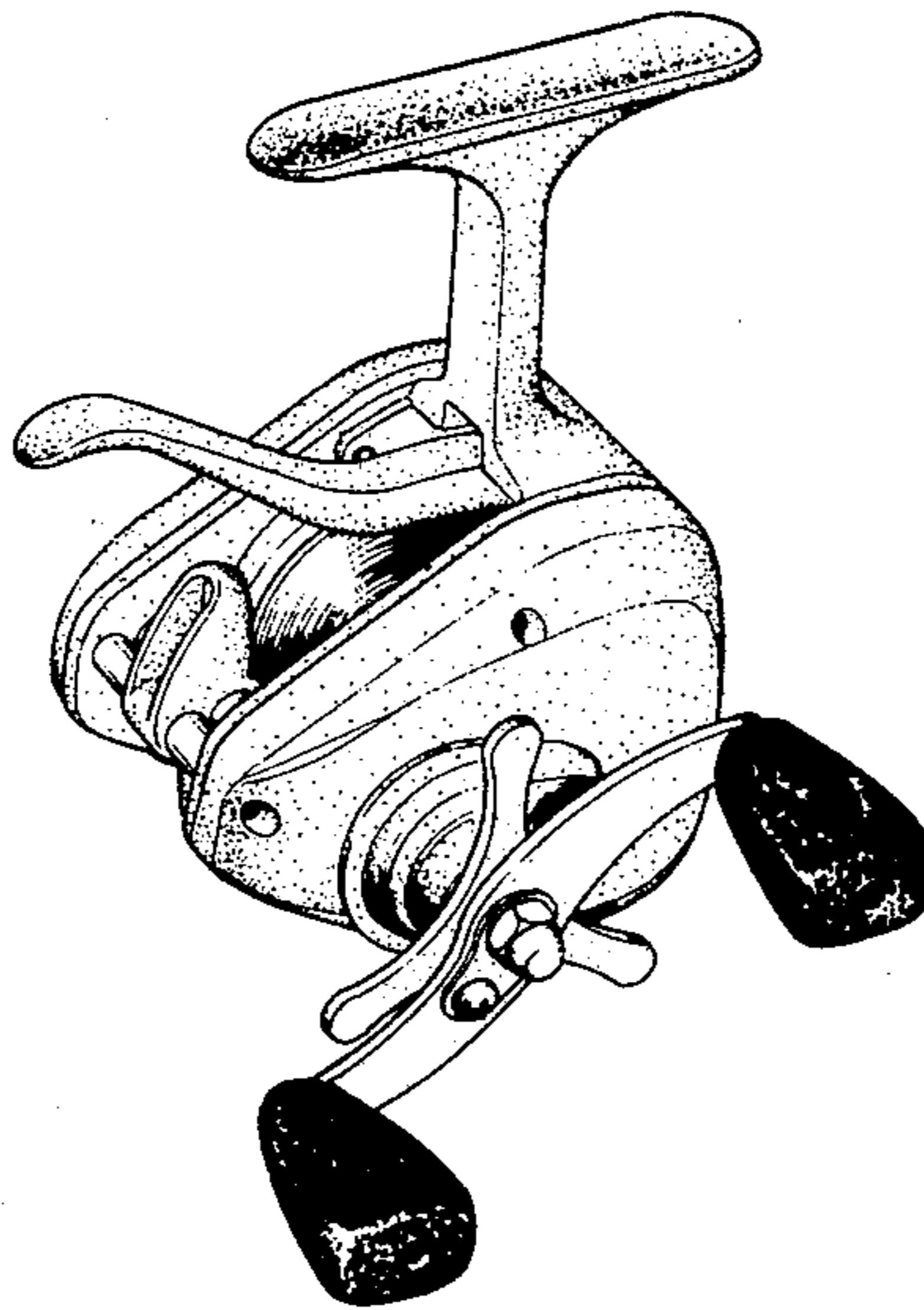


FIG. 1

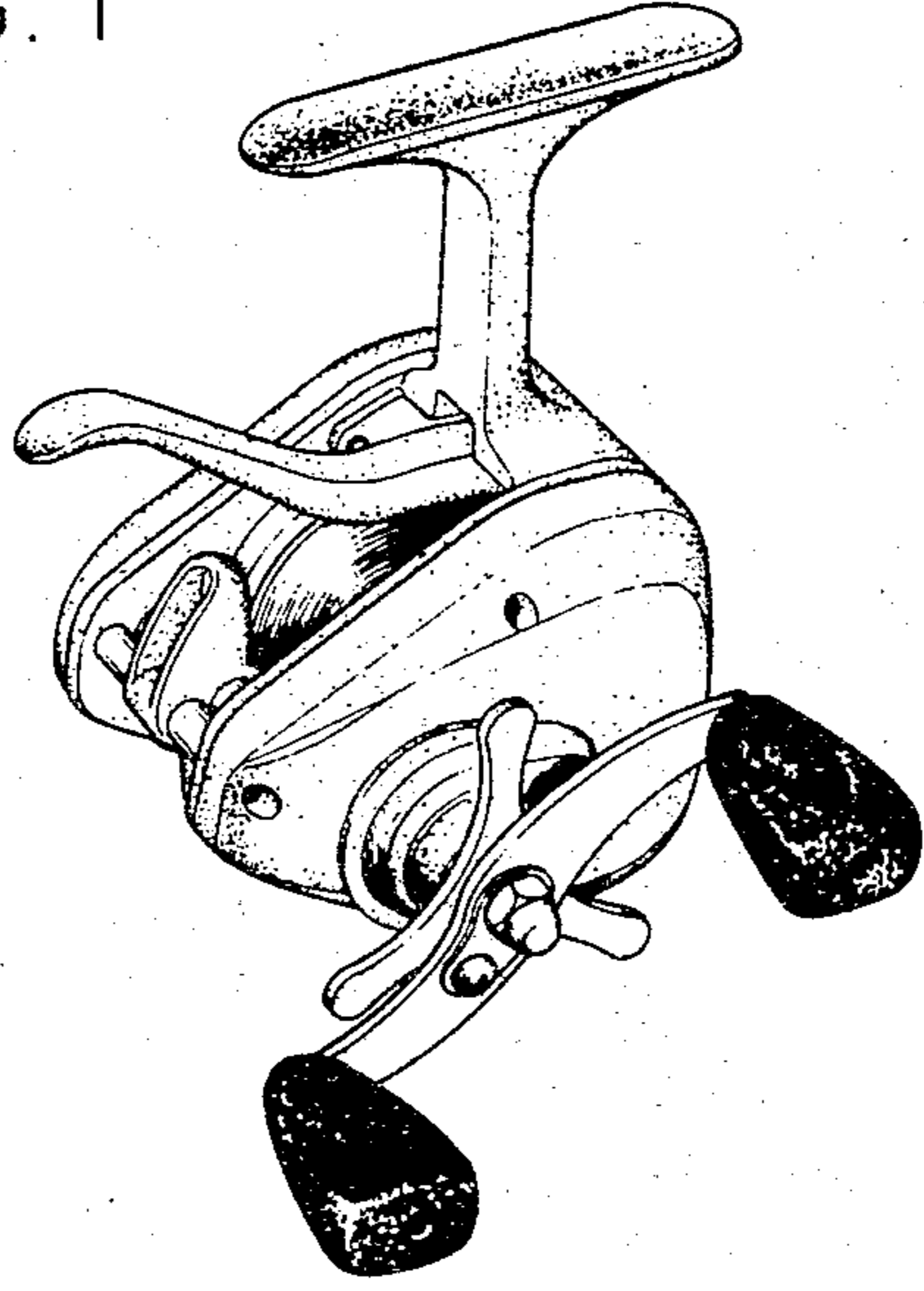


FIG. 2

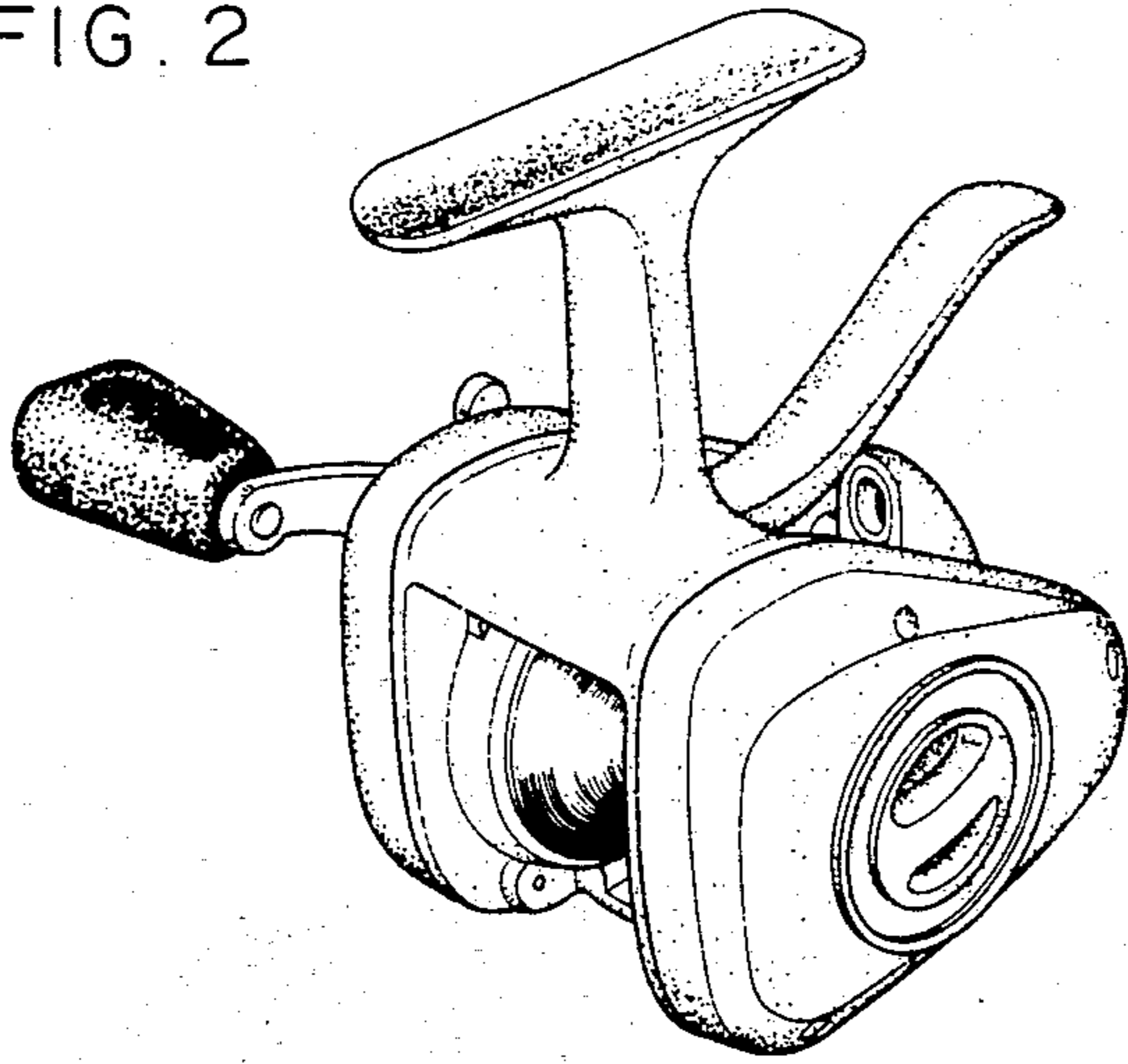


FIG. 3

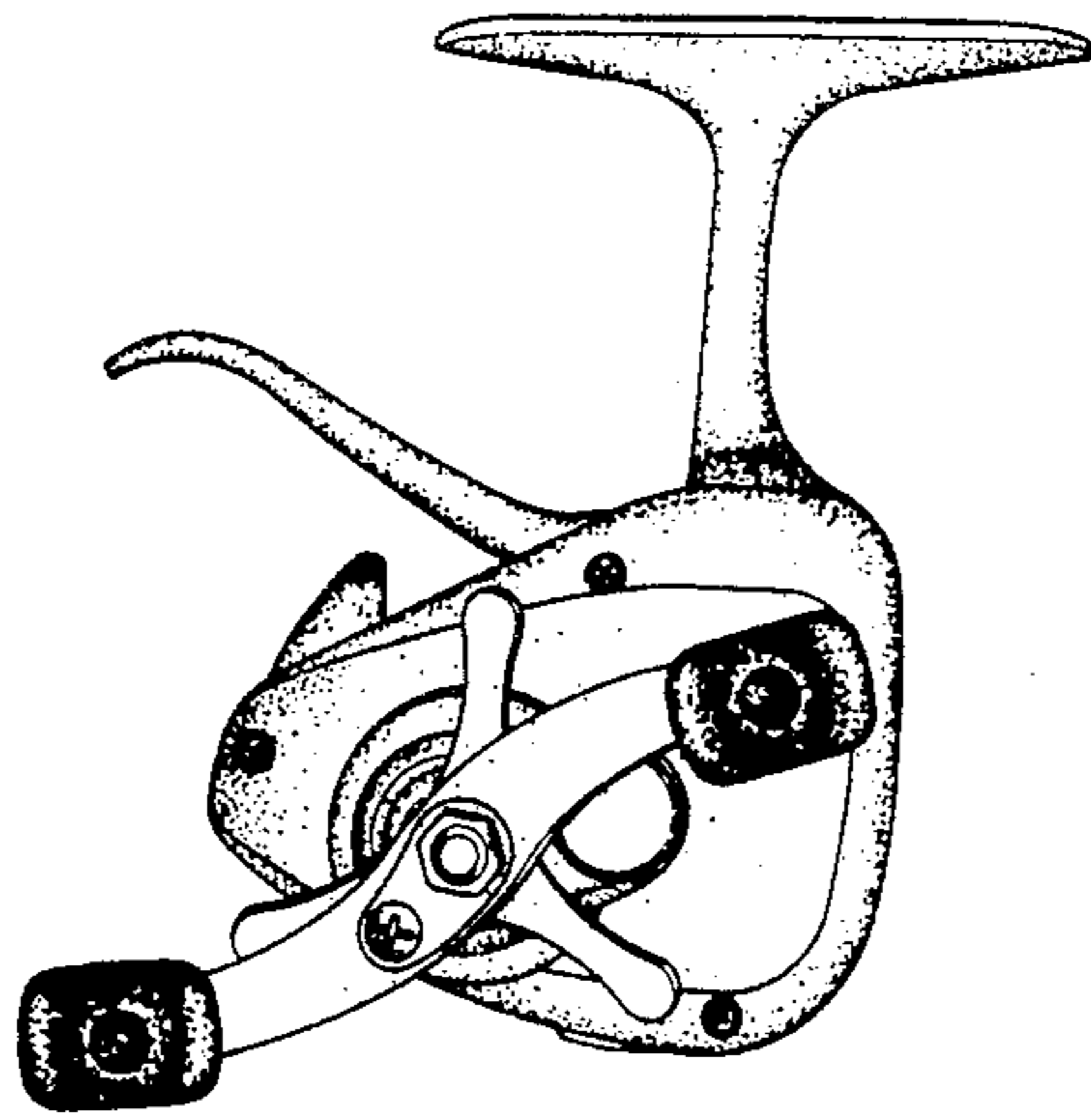


FIG. 4

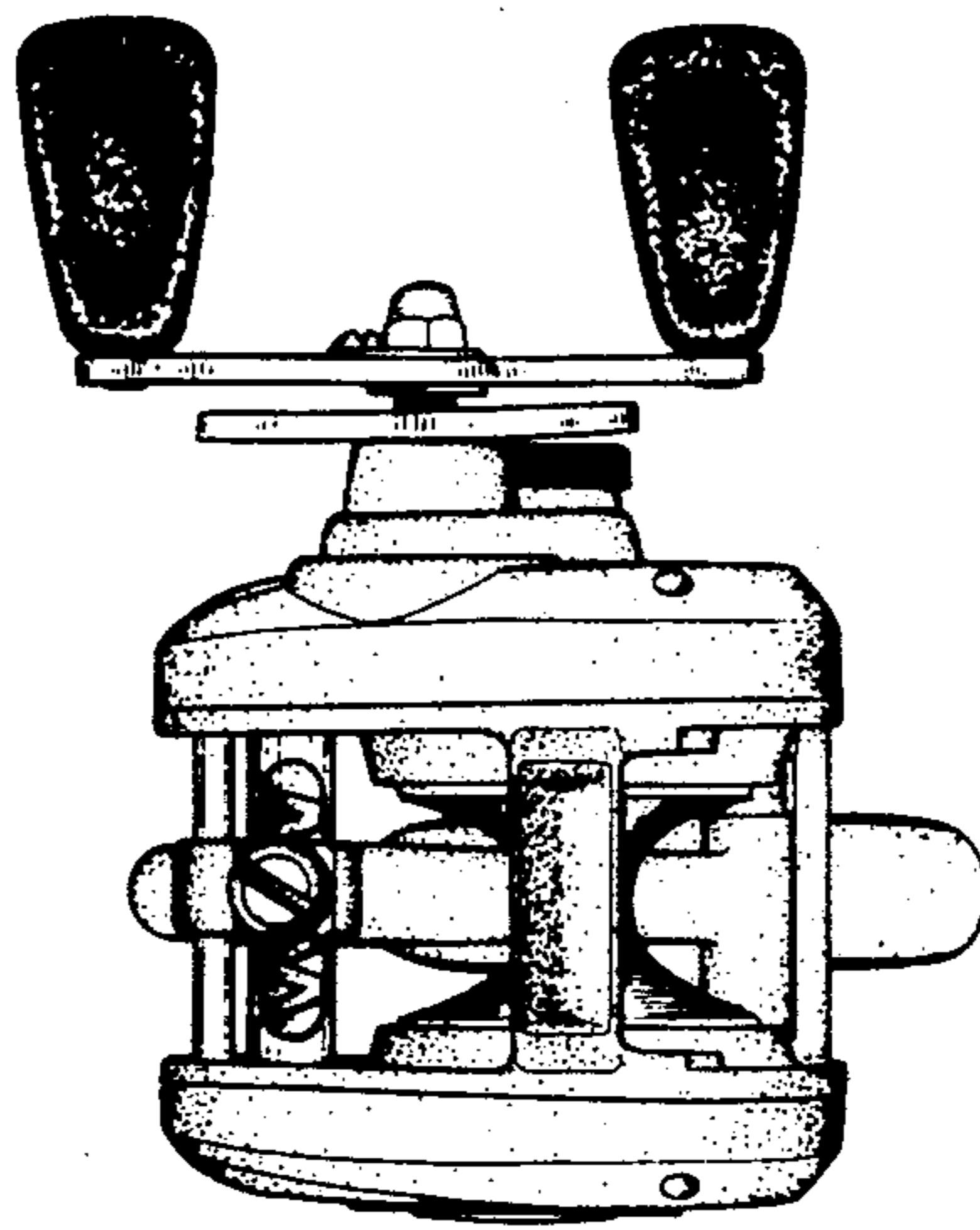


FIG. 5

