

[54] PUTTER HEAD

[76] Inventor: William B. Shearer, 2905 W. Main St., Muncie, Ind. 47305

[**] Term: 14 Years

[21] Appl. No.: 662,698

[22] Filed: Oct. 19, 1984

[52] U.S. Cl. D21/219

[58] Field of Search D21/217-219;
273/163 R, 164, 167-175

[56] References Cited

U.S. PATENT DOCUMENTS

- D. 228,930 10/1973 Leigh D21/219
- D. 230,292 2/1974 Gall D21/219

- D. 255,373 6/1980 Solheim D21/219
- D. 283,039 3/1986 Solheim D21/219

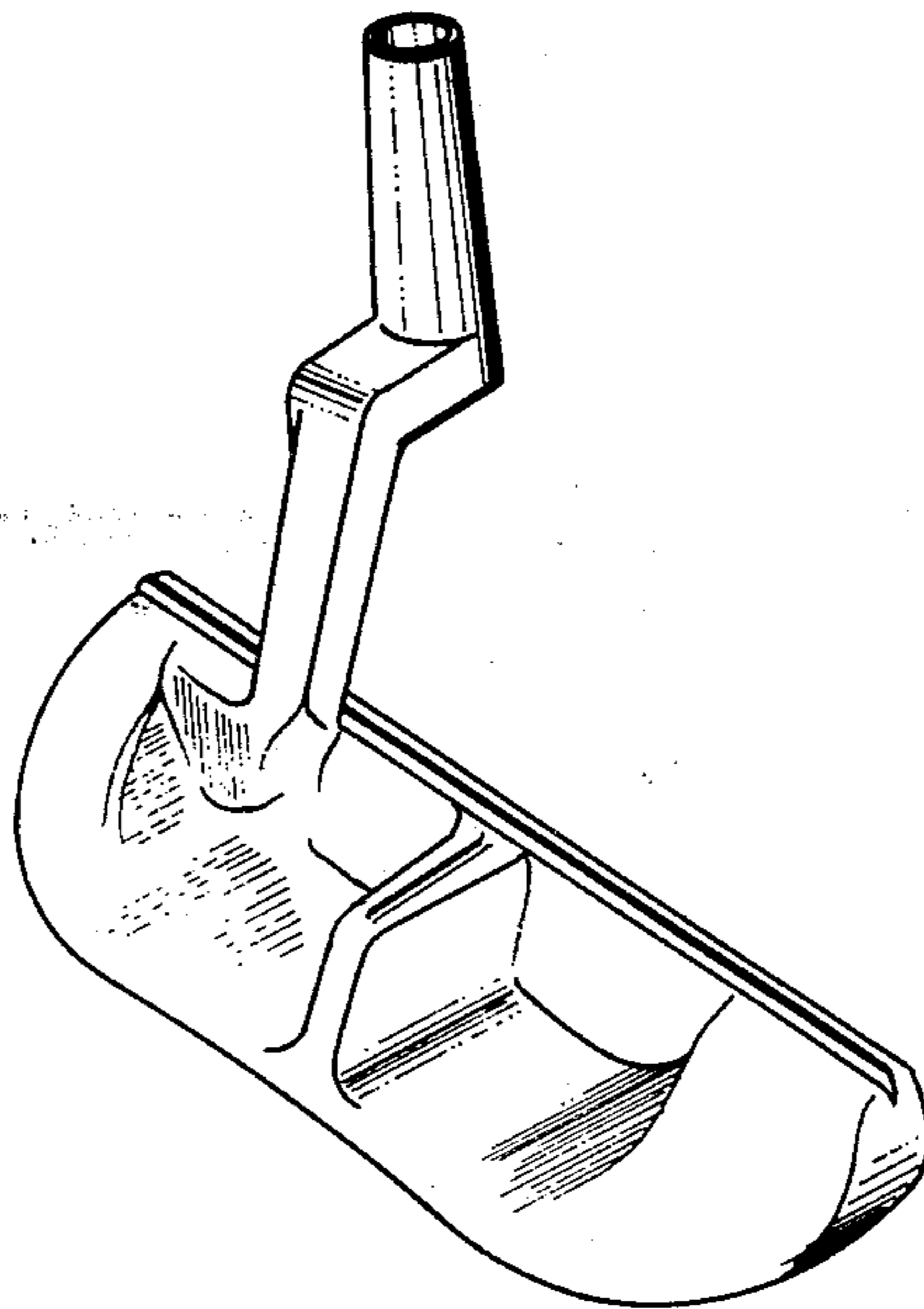
Primary Examiner—Melvin B. Feifer
Attorney, Agent, or Firm—J. David Haynes

[57] CLAIM

The ornamental design for a putter head, as shown.

DESCRIPTION

FIG. 1 is a right side view of the putter head;
FIG. 2 is a top view of the putter head;
FIG. 3 is a left side view of the putter head;
FIG. 4 is a bottom view of the putter head;
FIG. 5 is a right end view of the putter head;
FIG. 6 is a left end view of the putter head;
FIG. 7 is a perspective view of the putter head showing my new design.



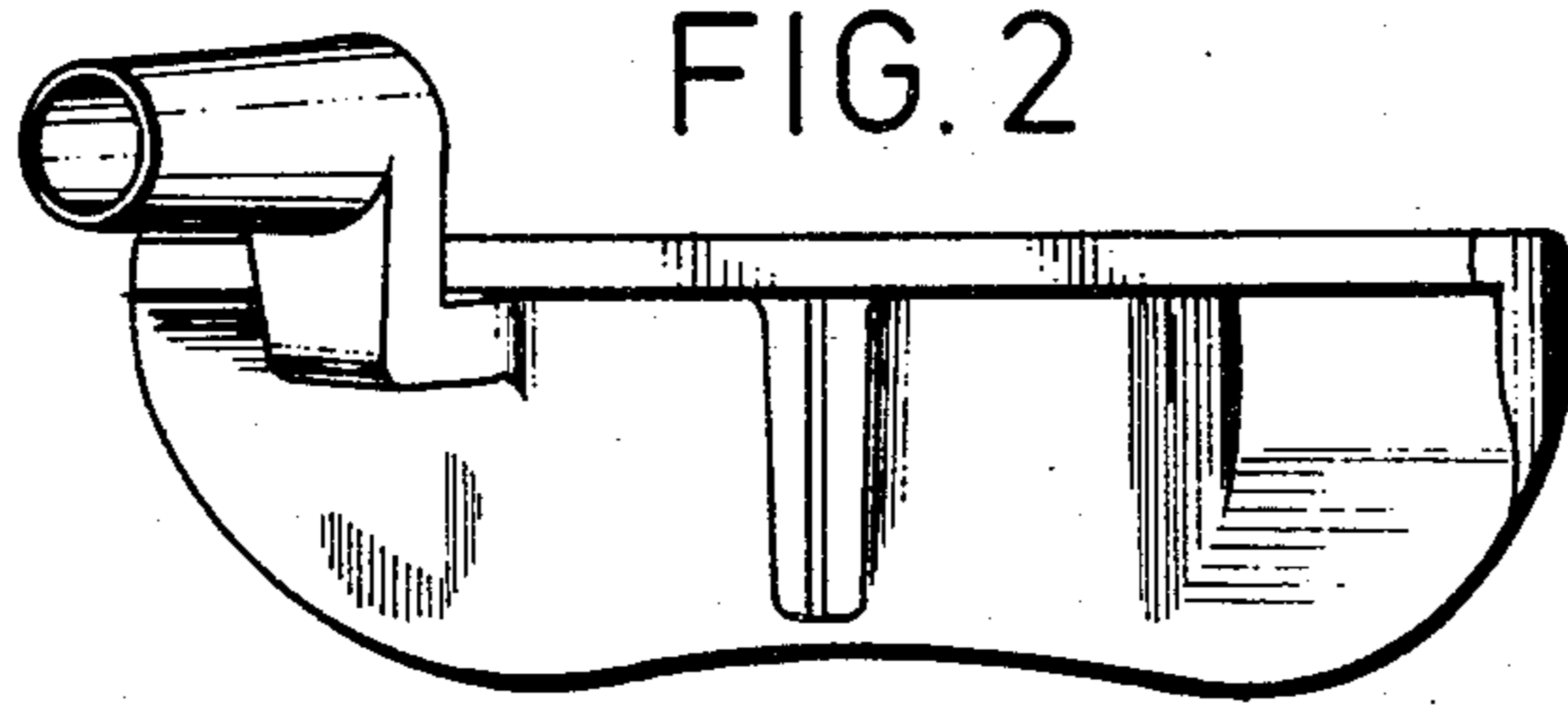


FIG. 2

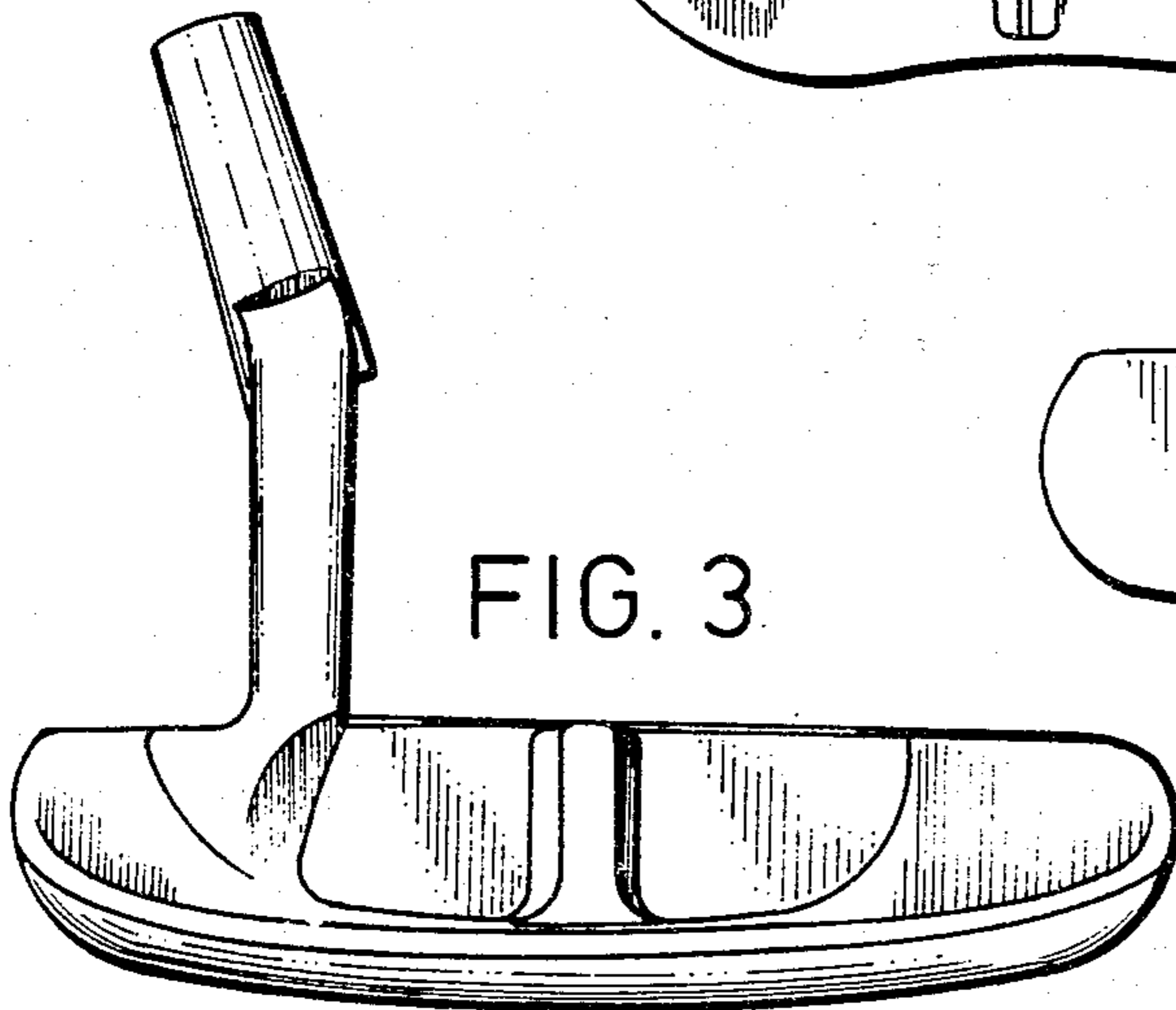


FIG. 3

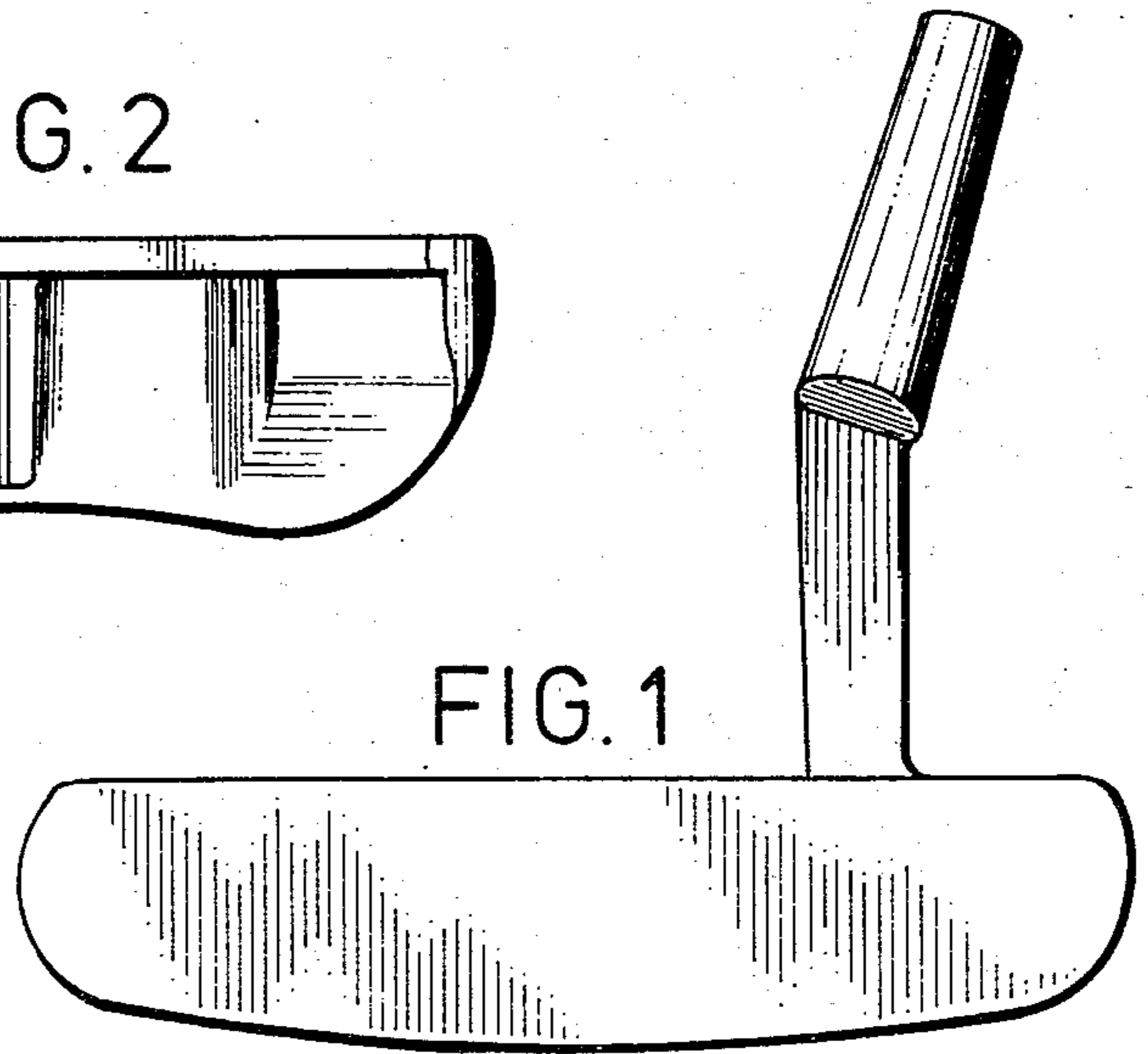


FIG. 1

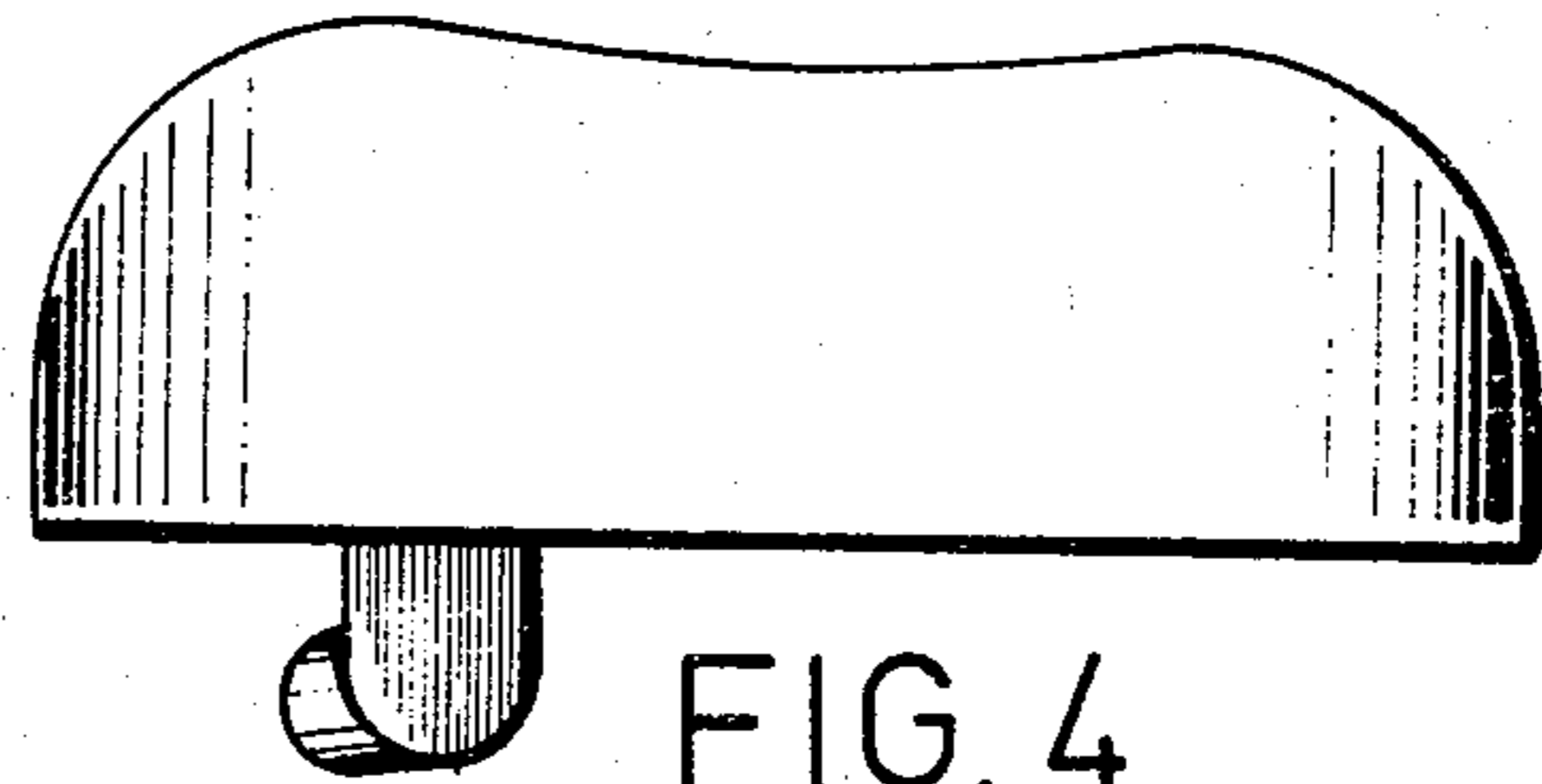


FIG. 4

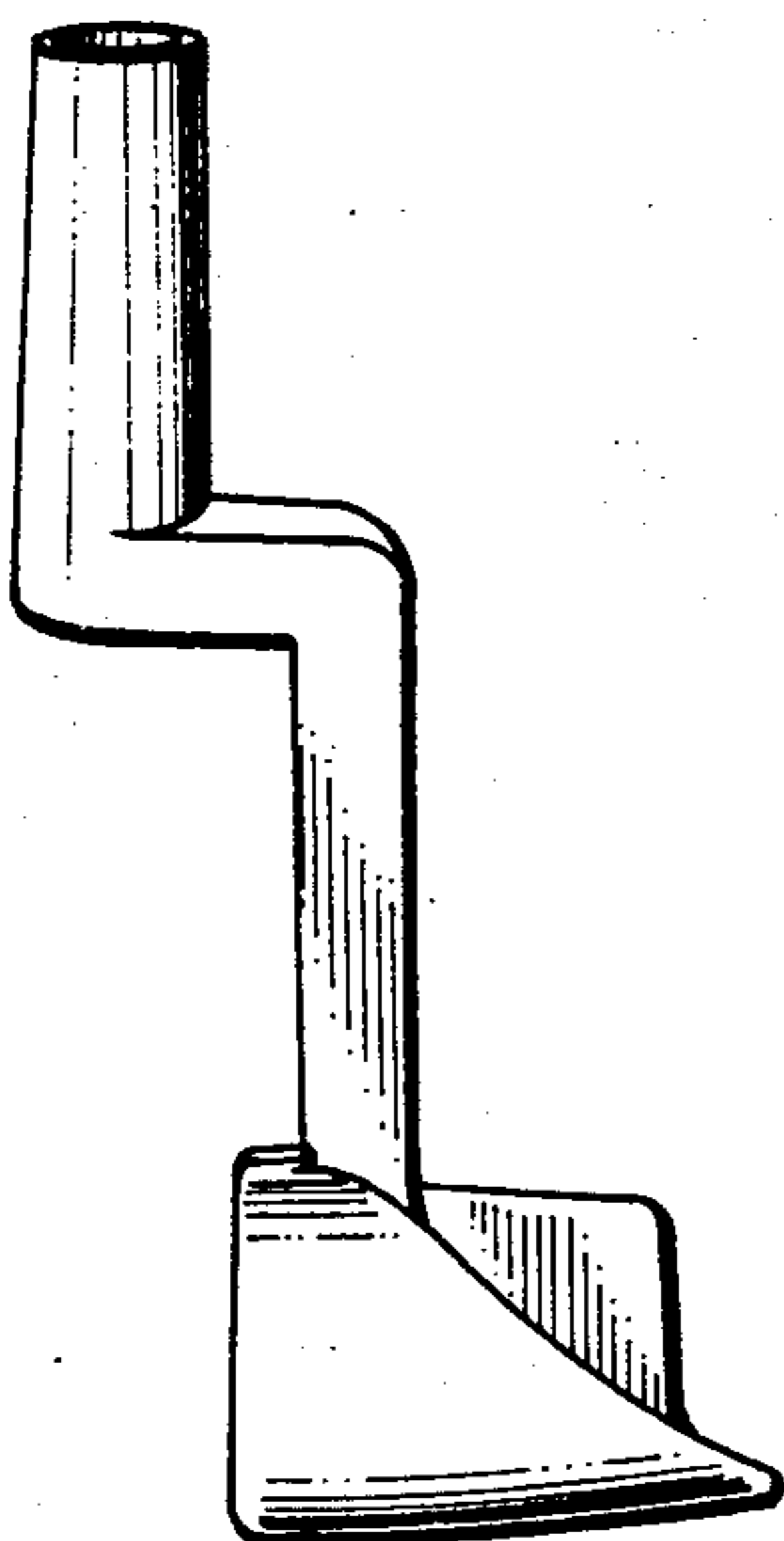


FIG. 5

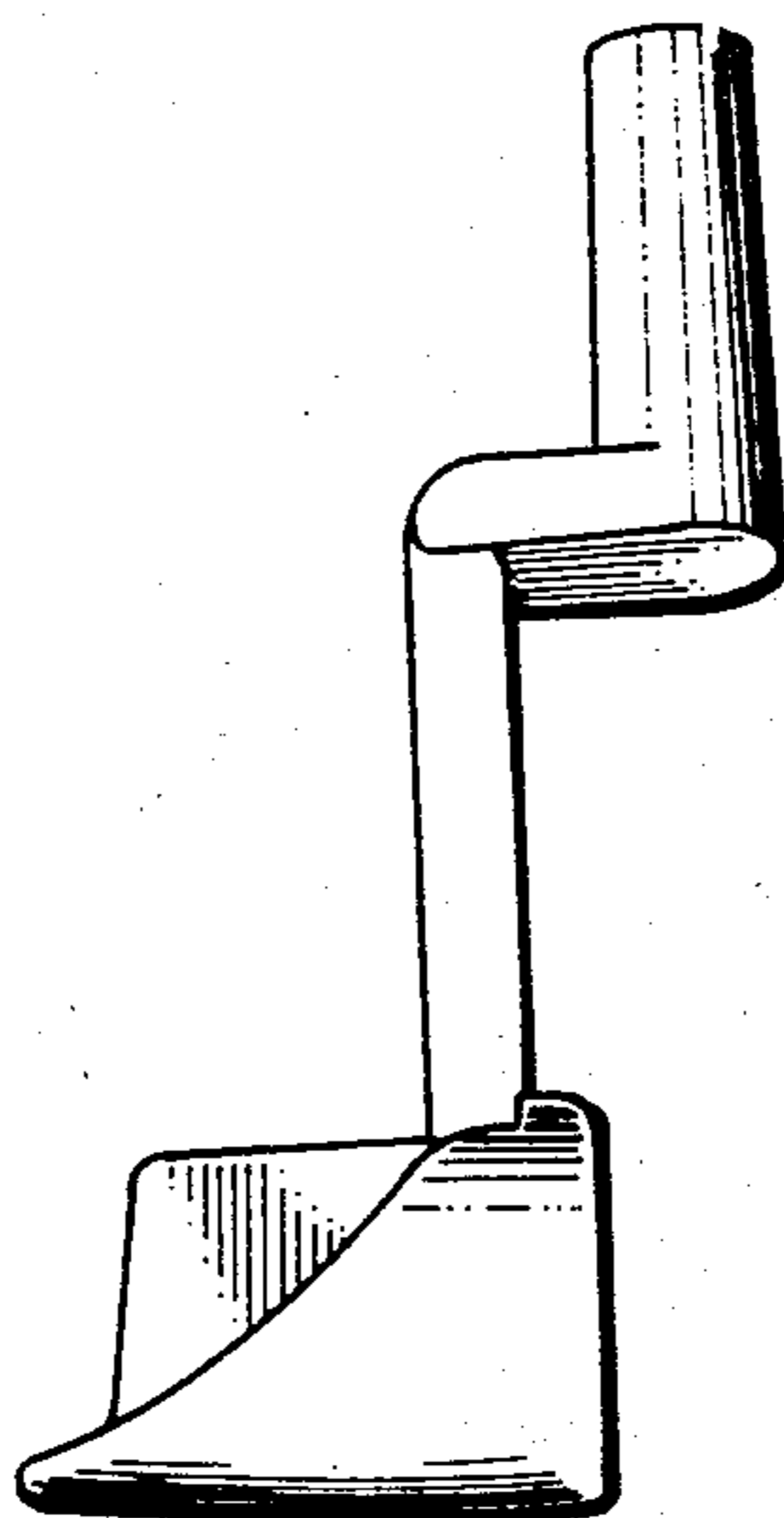


FIG. 6

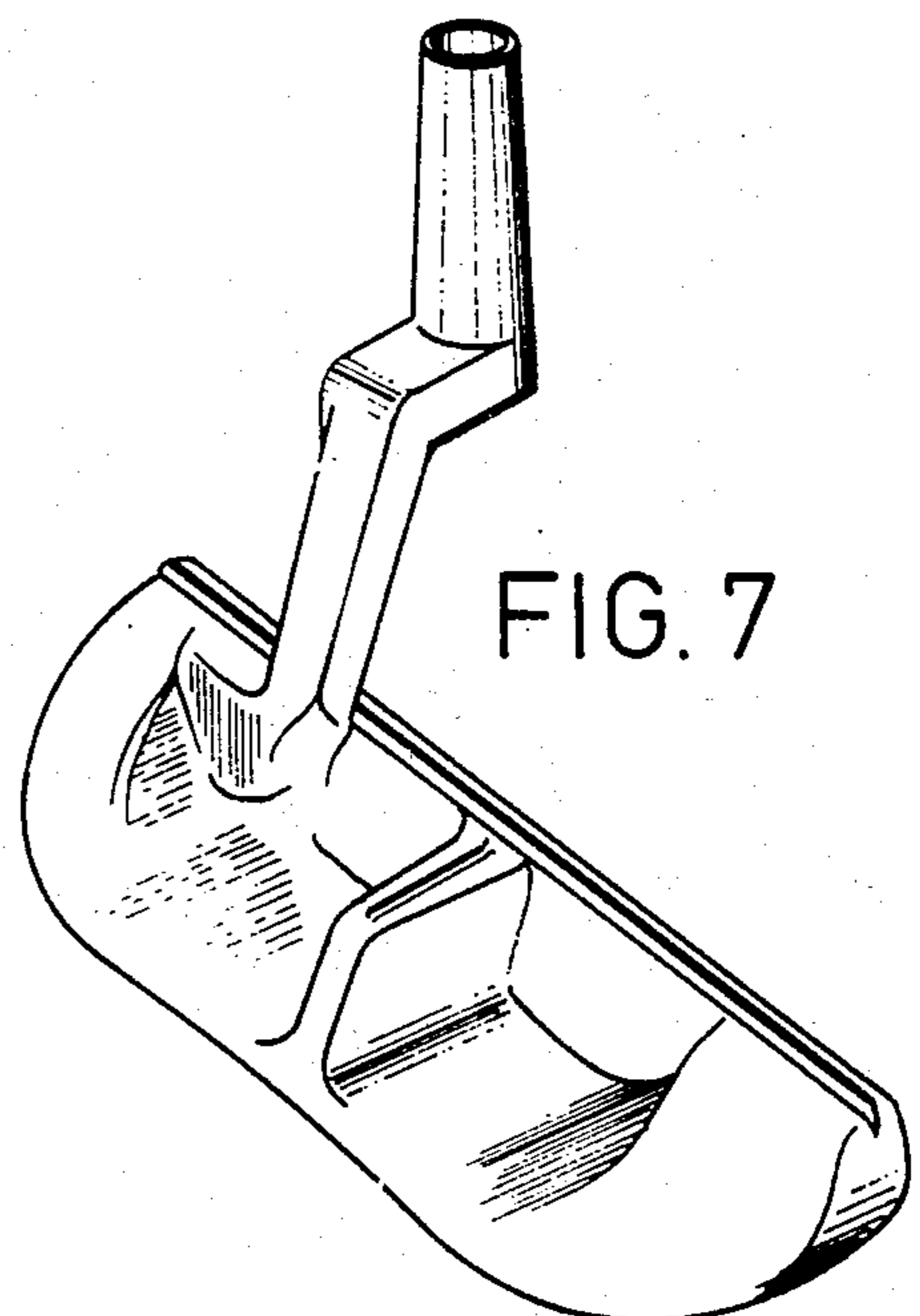


FIG. 7