

[54] GOLF BALL DISPENSER

[75] Inventors: Howard M. Turnidge, 7729 Vista Verde Way, Sacramento, Calif. 95828; Theodore Talvan, Redlands, Calif.

[73] Assignee: Howard M. Turnidge, Sacramento, Calif.

[**] Term: 14 Years

[21] Appl. No.: 656,256

[22] Filed: Sep. 28, 1984

[52] U.S. Cl. D21/208

[58] Field of Search D21/208, 234; 273/201

[56] References Cited

U.S. PATENT DOCUMENTS

D. 174,346 3/1955 Parker D21/208
4,441,717 4/1984 Willcox 273/201

OTHER PUBLICATIONS

Par Golf 1965 cat., p. 36, bottom, Automatic Tee.

Primary Examiner—Melvin B. Feifer

[57] CLAIM

The ornamental design for a golf ball dispenser, as shown.

DESCRIPTION

FIG. 1 is a perspective view of a golf ball dispenser showing our new design.

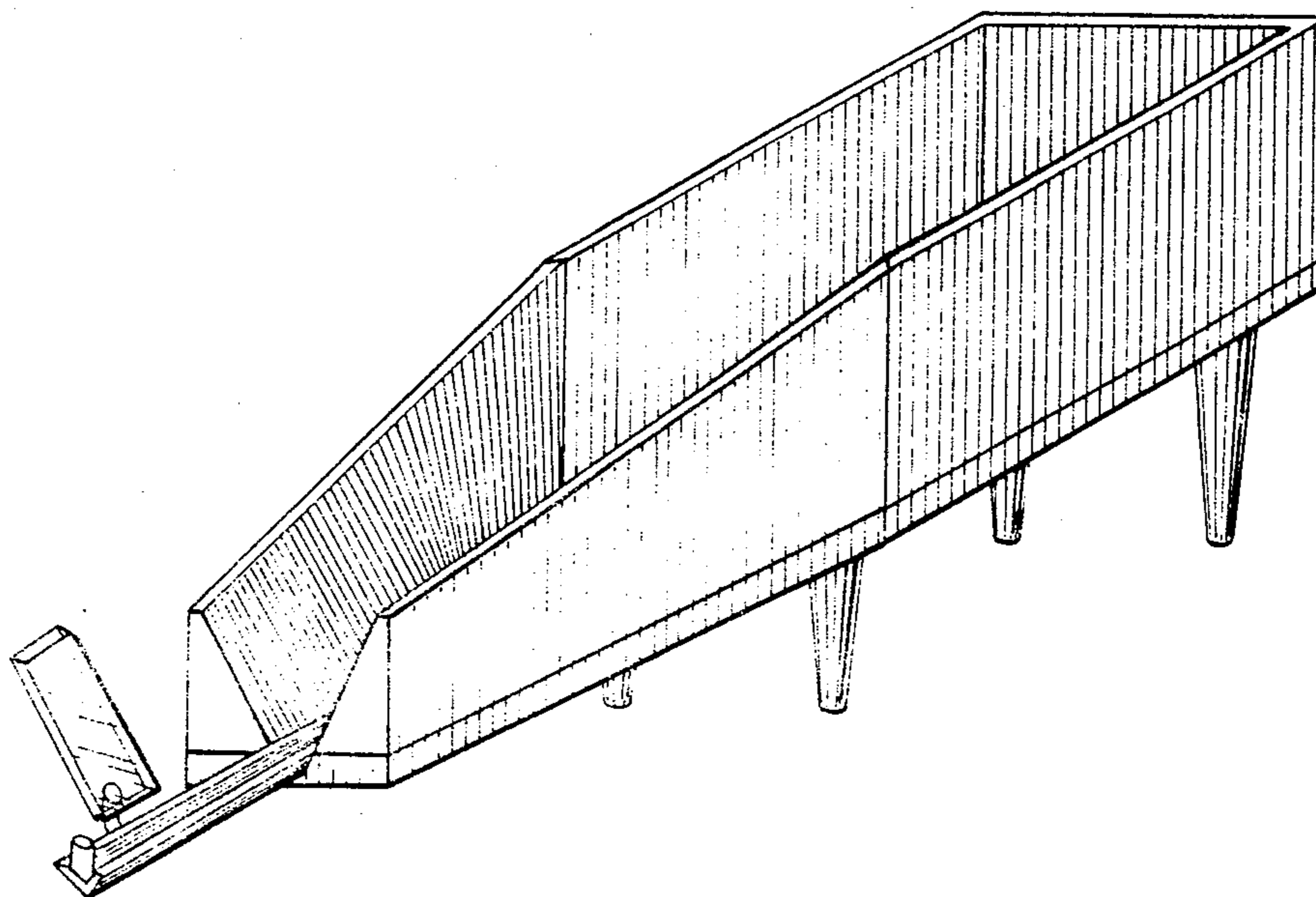
FIG. 2 is a top view.

FIG. 3 is a front end view.

FIG. 4 is a back view.

FIG. 5 is a side view.

FIG. 6 is the opposite side view.



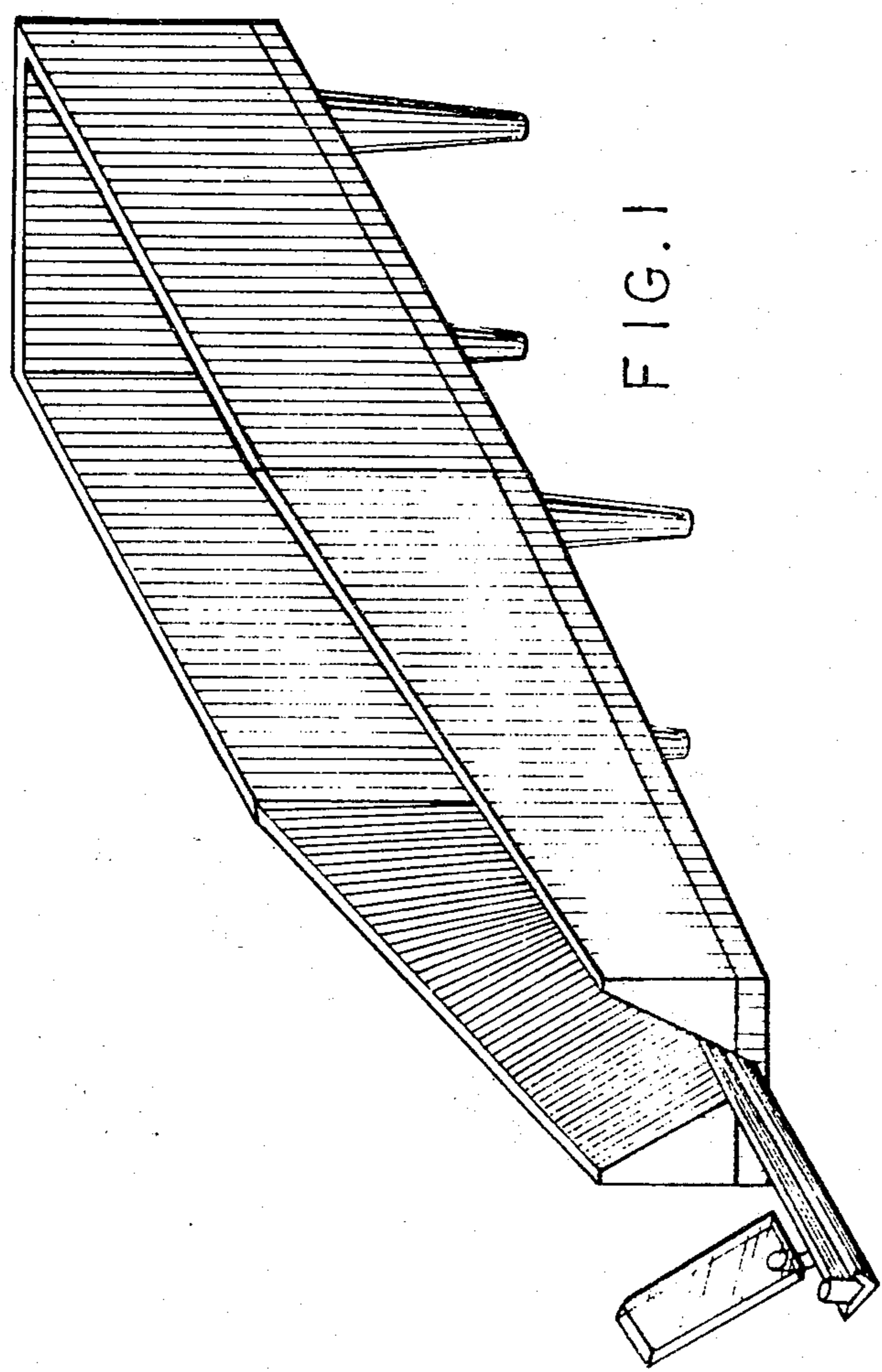


FIG. 1

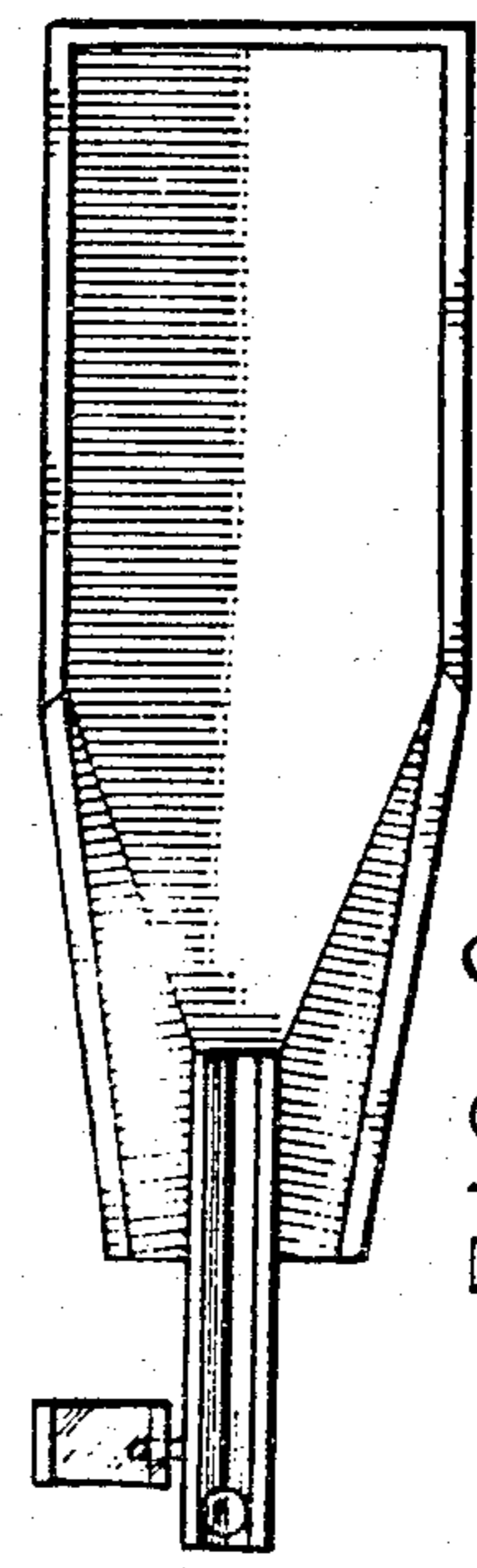


FIG. 2

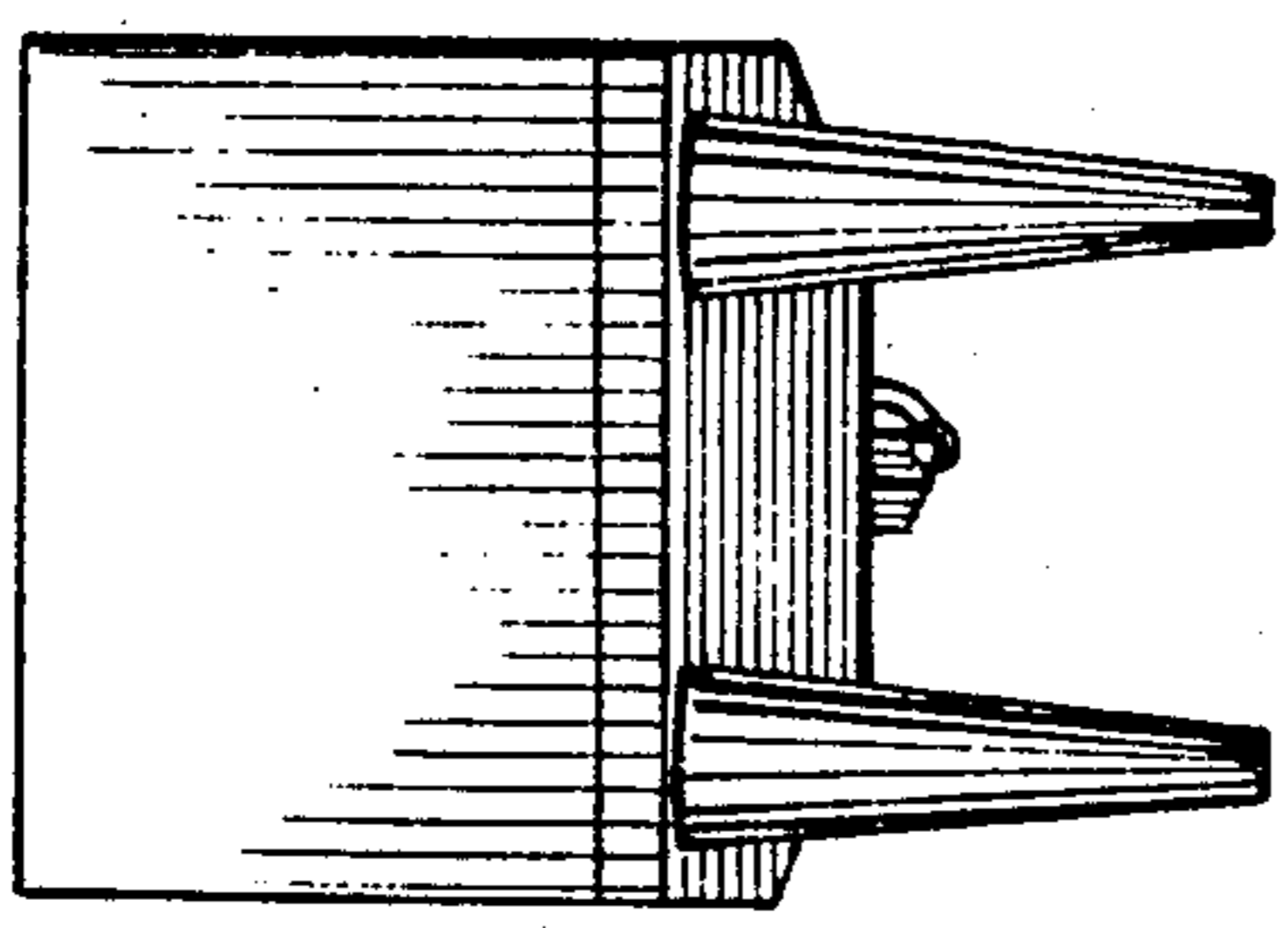


FIG. 4

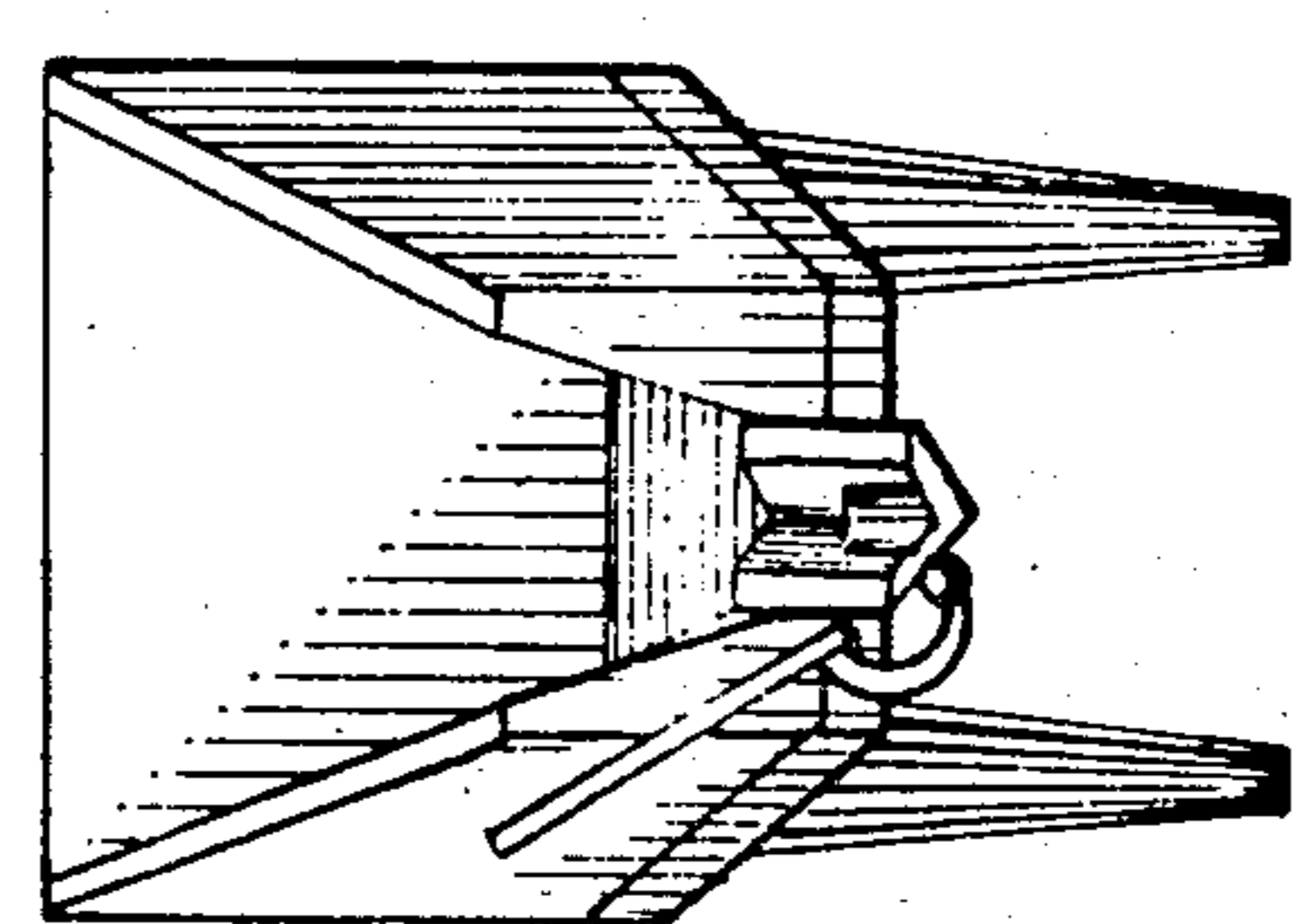


FIG. 3

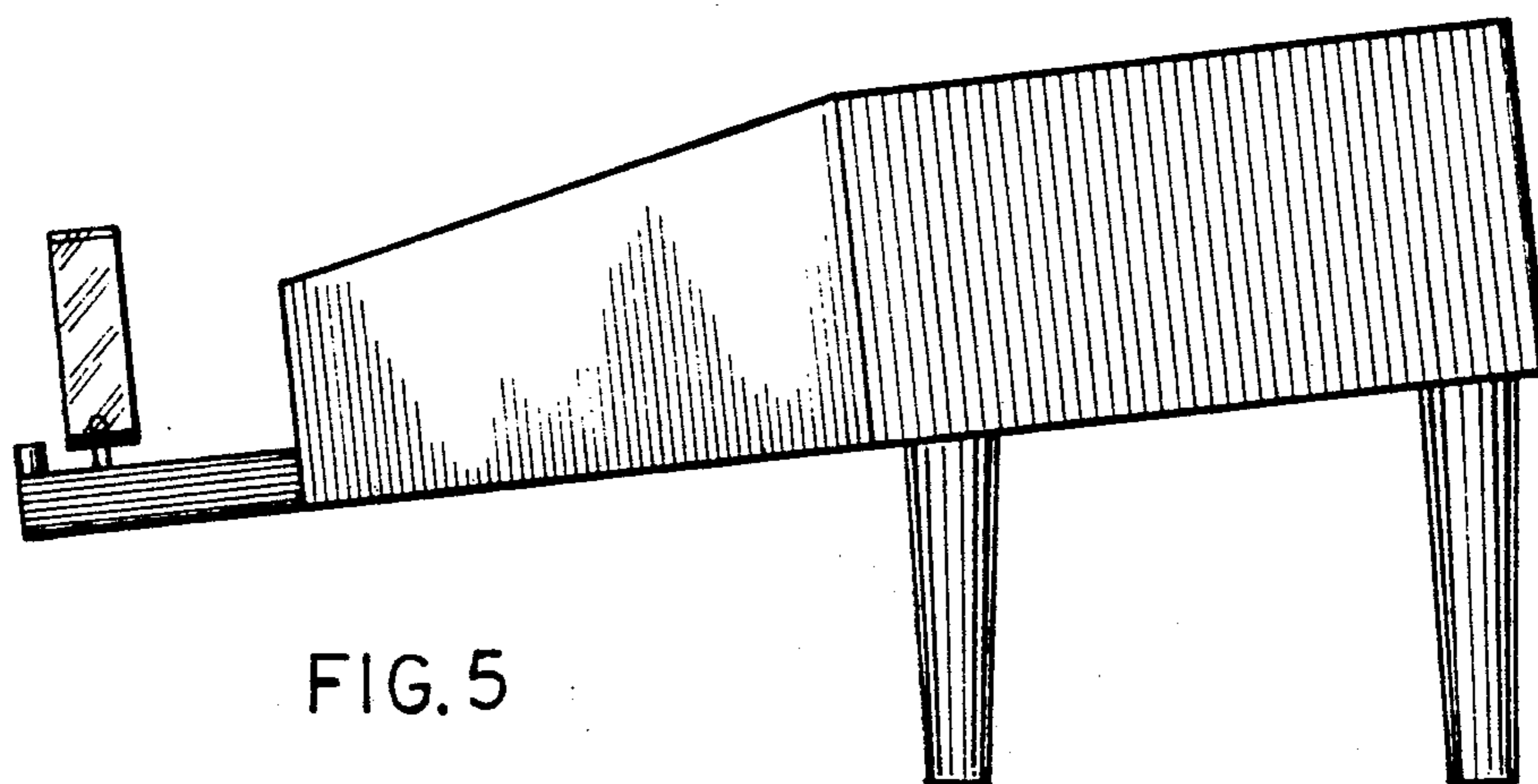


FIG. 5

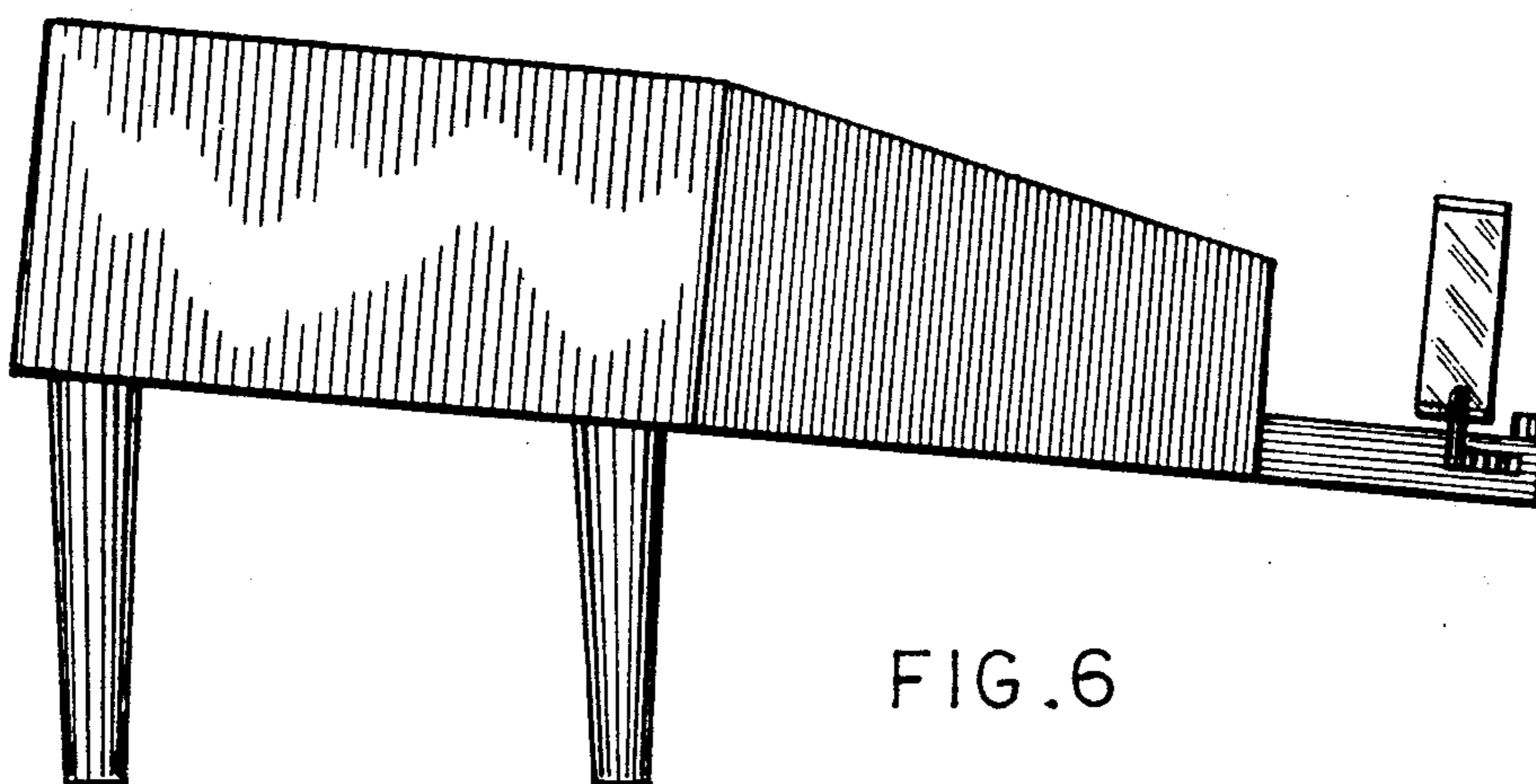


FIG. 6