

[54] SKID MOUNTED PUNCHING BAG

[76] Inventor: David B. Charles, 39 Pinewood Ct., Walnut Creek, Calif. 94596

[**] Term: 14 Years

[21] Appl. No.: 705,079

[22] Filed: Feb. 25, 1985

[52] U.S. Cl. D21/191; D21/199

[58] Field of Search D21/191-200; 272/78, 76, 77, 143, 146

[56] References Cited

U.S. PATENT DOCUMENTS

D. 265,333	7/1982	Lee	D21/199
2,620,188	12/1952	Malagio	272/78
3,510,131	5/1970	Gardner	272/78

4,512,569 4/1985 Aragona 272/78

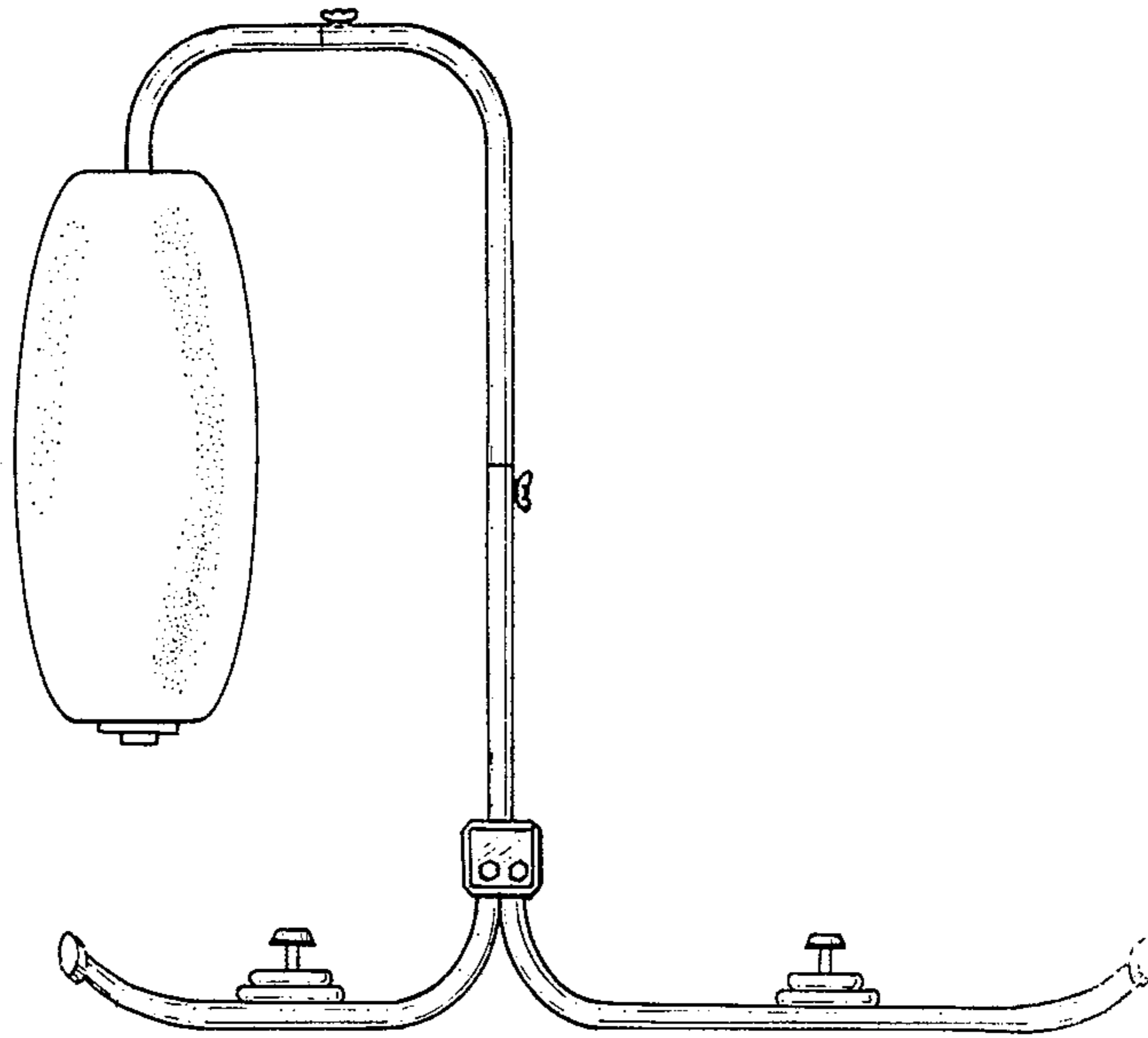
Primary Examiner—Charles A. Rademaker
Attorney, Agent, or Firm—Linval B. Castle

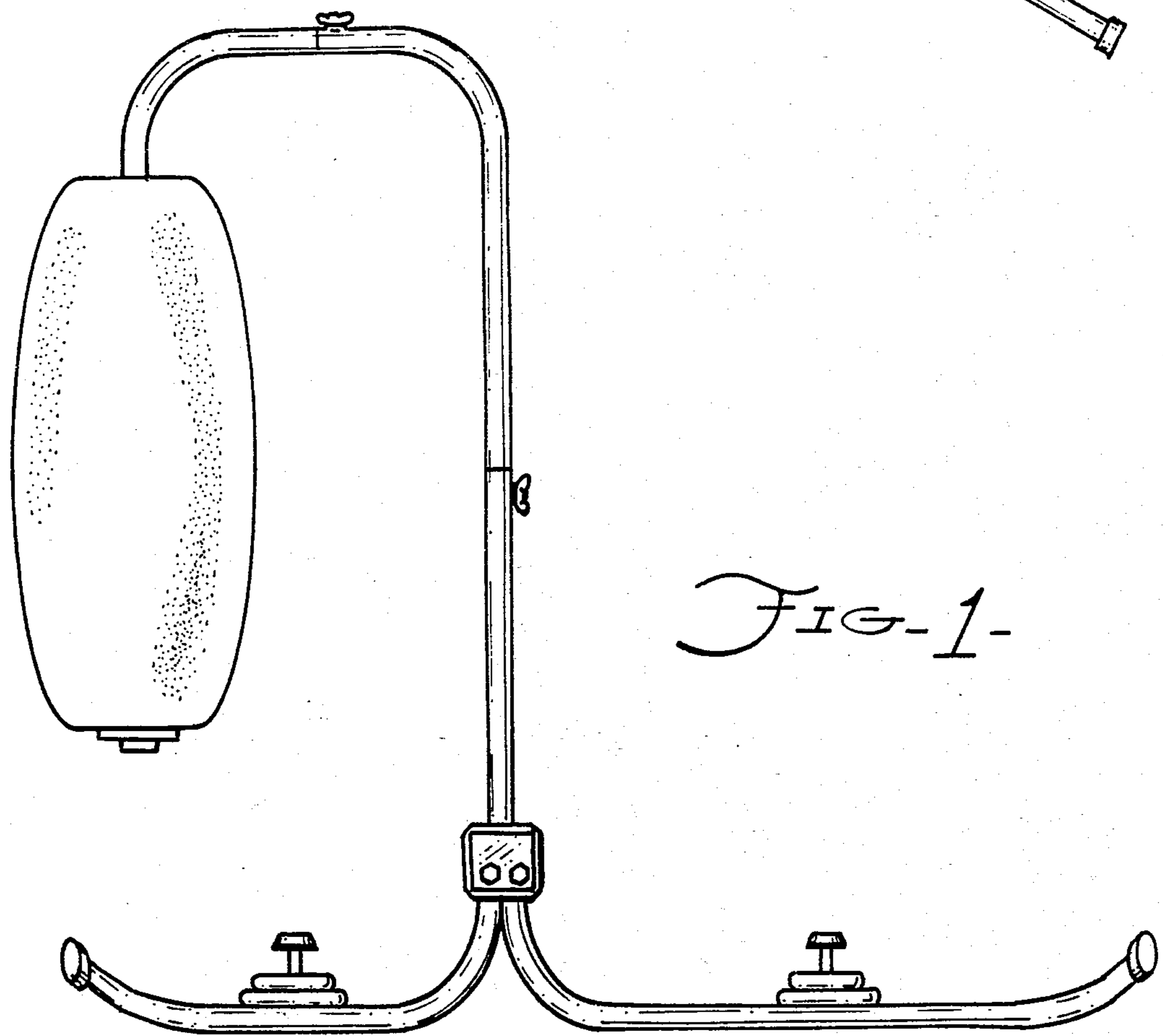
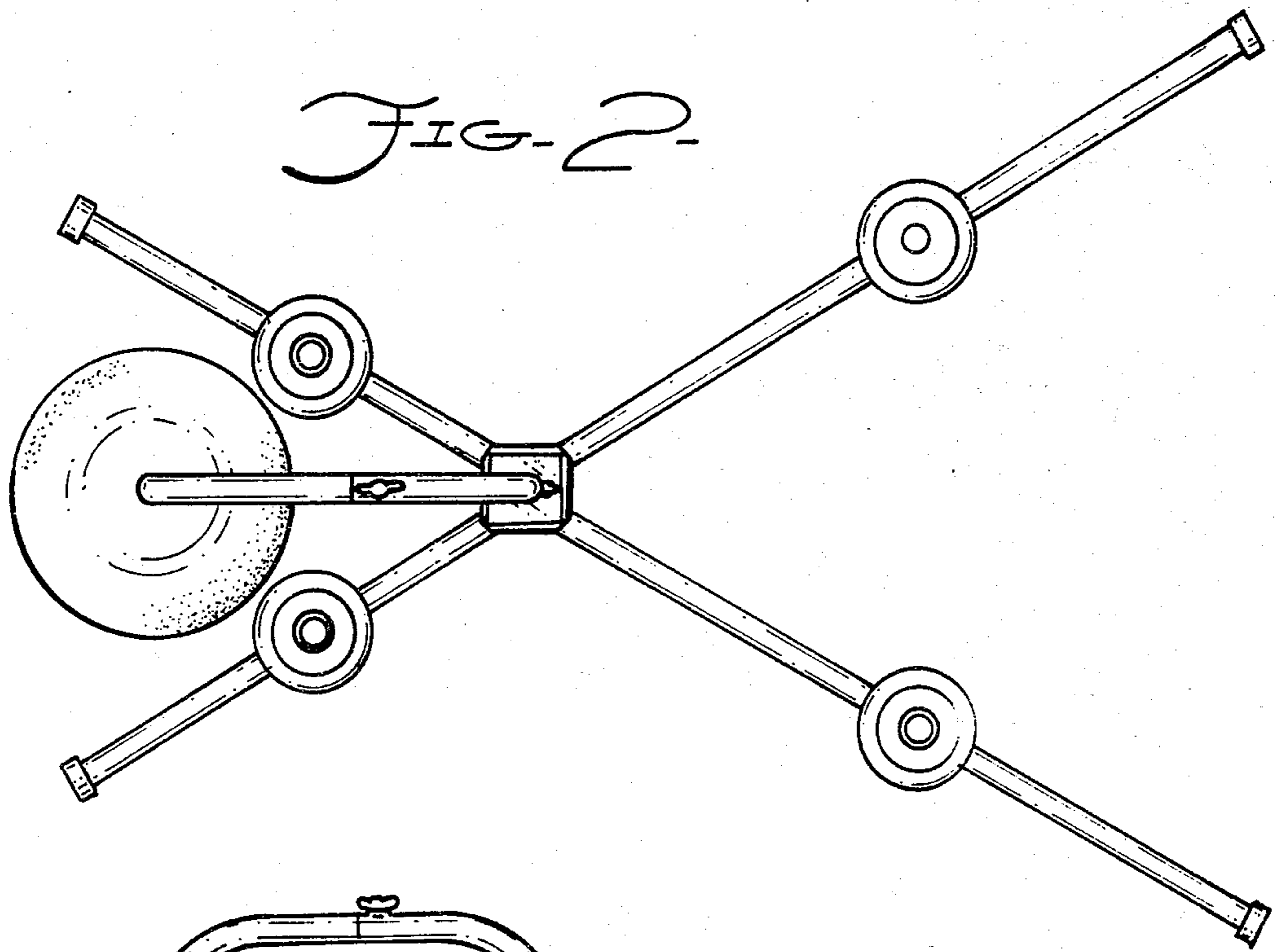
[57] CLAIM

The ornamental design for a skid mounted punching bag, as shown and described.

DESCRIPTION

FIG. 1 is a side elevational view of a skid mounted punching bag showing my new design; FIG. 2 is a top plan view thereof; FIG. 3 is a front elevational view thereof; FIG. 4 is a bottom plan view thereof; FIG. 5 is a rear elevational view thereof; and, FIG. 6 is a perspective view thereof shown on a slightly reduced scale.





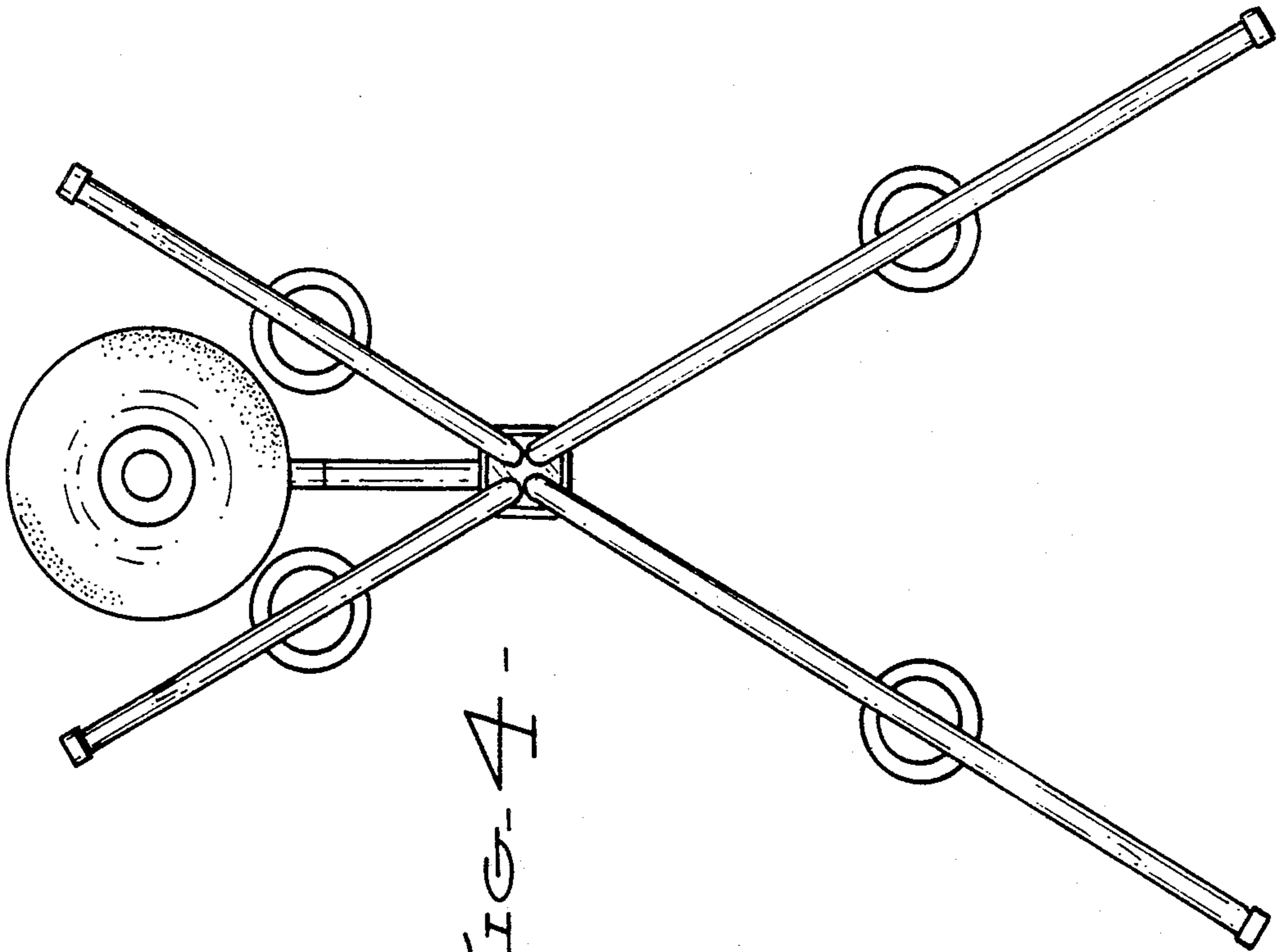


FIG-4-

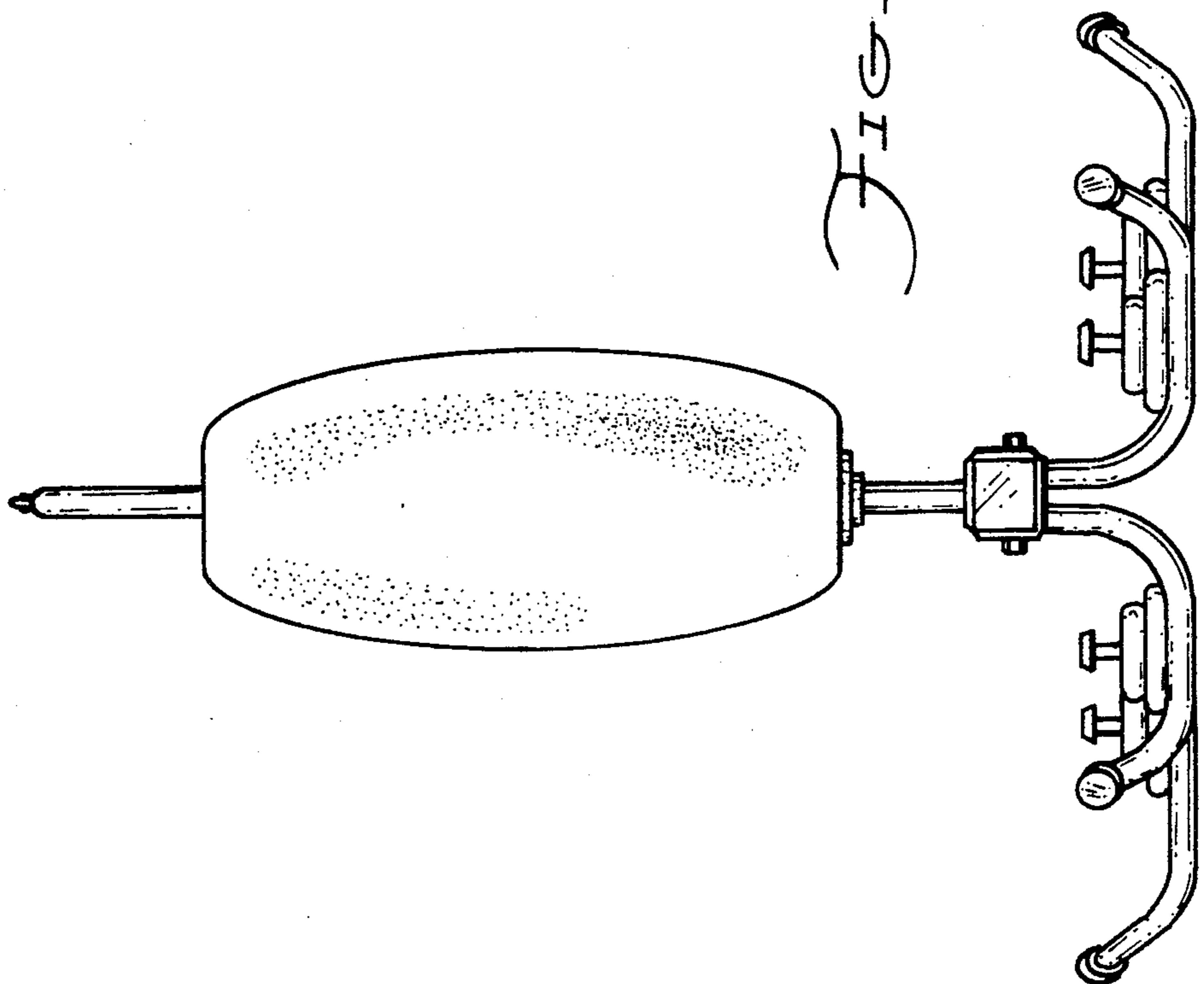


FIG-3-

FIG-6

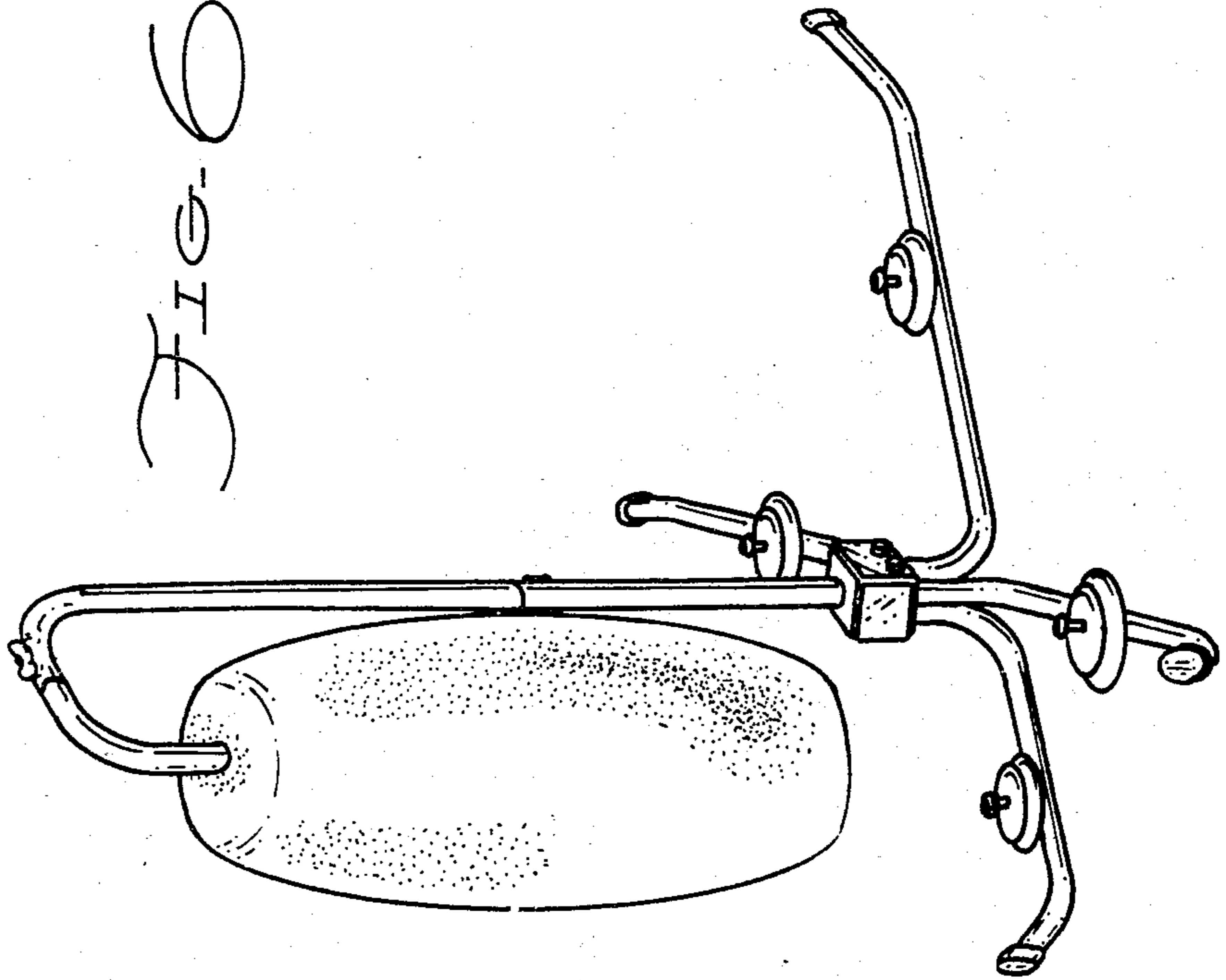


FIG-5

