

[54] **TOY FIREPLACE**

[75] **Inventor: Sven C. B. Thomsen, Naestved, Denmark**

[73] **Assignee: Interlego A.G., Baar, Switzerland**

[\*\*] **Term: 14 Years**

[21] **Appl. No.: 805,310**

[22] **Filed: Dec. 4, 1985**

[52] **U.S. Cl. .... D21/108**

[58] **Field of Search ..... D21/121, 122; D23/93, D23/94, 97, 106, 105; 126/4, 120, 121, 123, 126, 130, 135, 136; 446/481, 479, 480, 71, 85, 117, 120, 124**

[56] **References Cited**

**U.S. PATENT DOCUMENTS**

D. 78,680 5/1929 Yoham ..... D21/121

D. 220,181 3/1971 Derringer ..... D23/97  
D. 241,548 9/1976 Rheingold et al. .... D23/97  
D. 256,155 7/1980 Teeri ..... D23/97  
3,910,251 10/1975 Andrew ..... D23/97

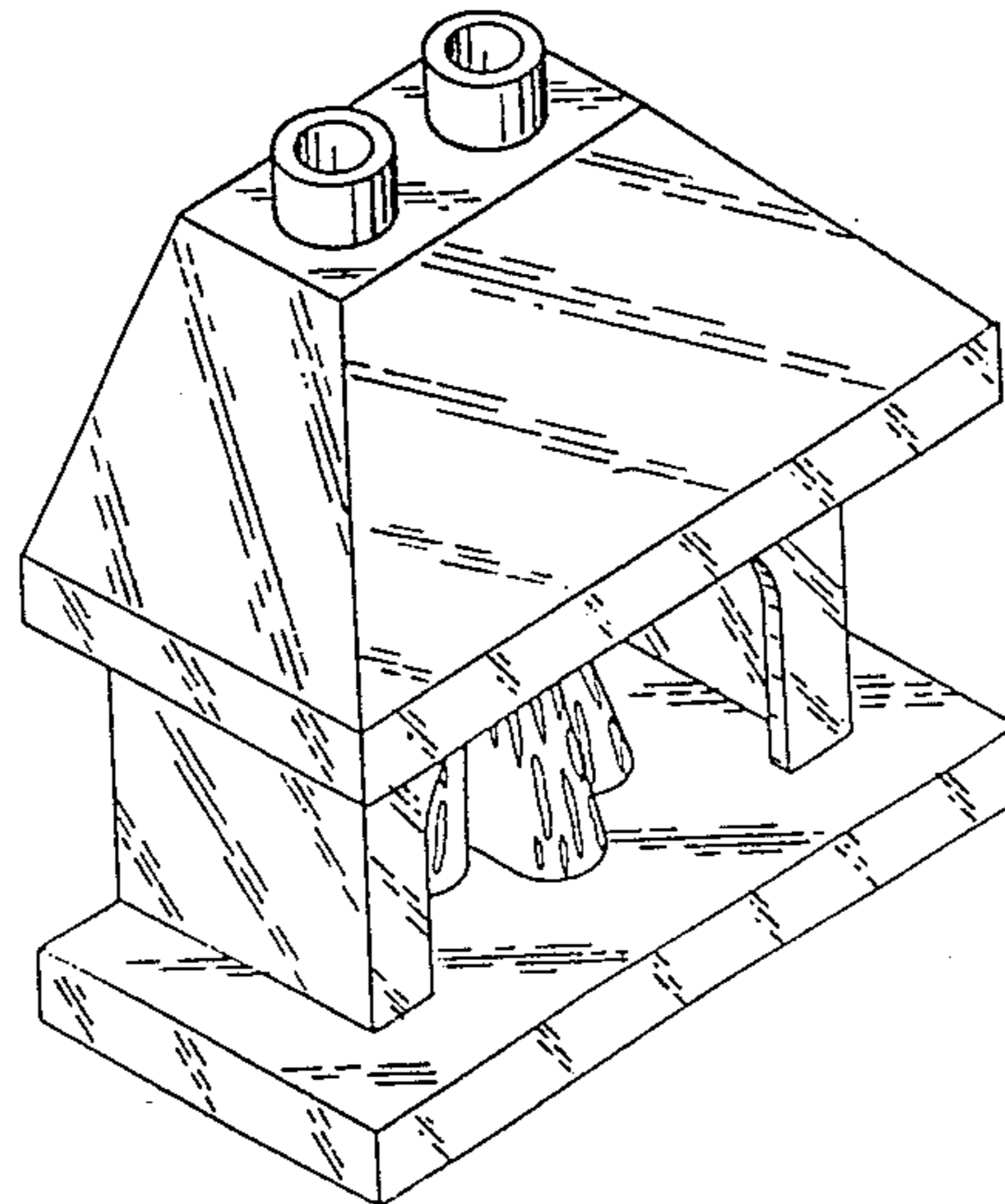
*Primary Examiner*—Charles A. Rademaker  
*Attorney, Agent, or Firm*—Kane, Dalsimer, Kane, Sullivan and Kurucz

[57] **CLAIM**

The ornamental design for a toy fireplace, as shown and described.

**DESCRIPTION**

FIG. 1 is a top perspective view of a toy fireplace showing my new design;  
FIG. 2 is a top plan view thereof;  
FIG. 3 is a front elevational view thereof;  
FIG. 4 is a side elevational view thereof;  
FIG. 5 is a rear elevational view thereof; and  
FIG. 6 is a bottom plan view thereof.



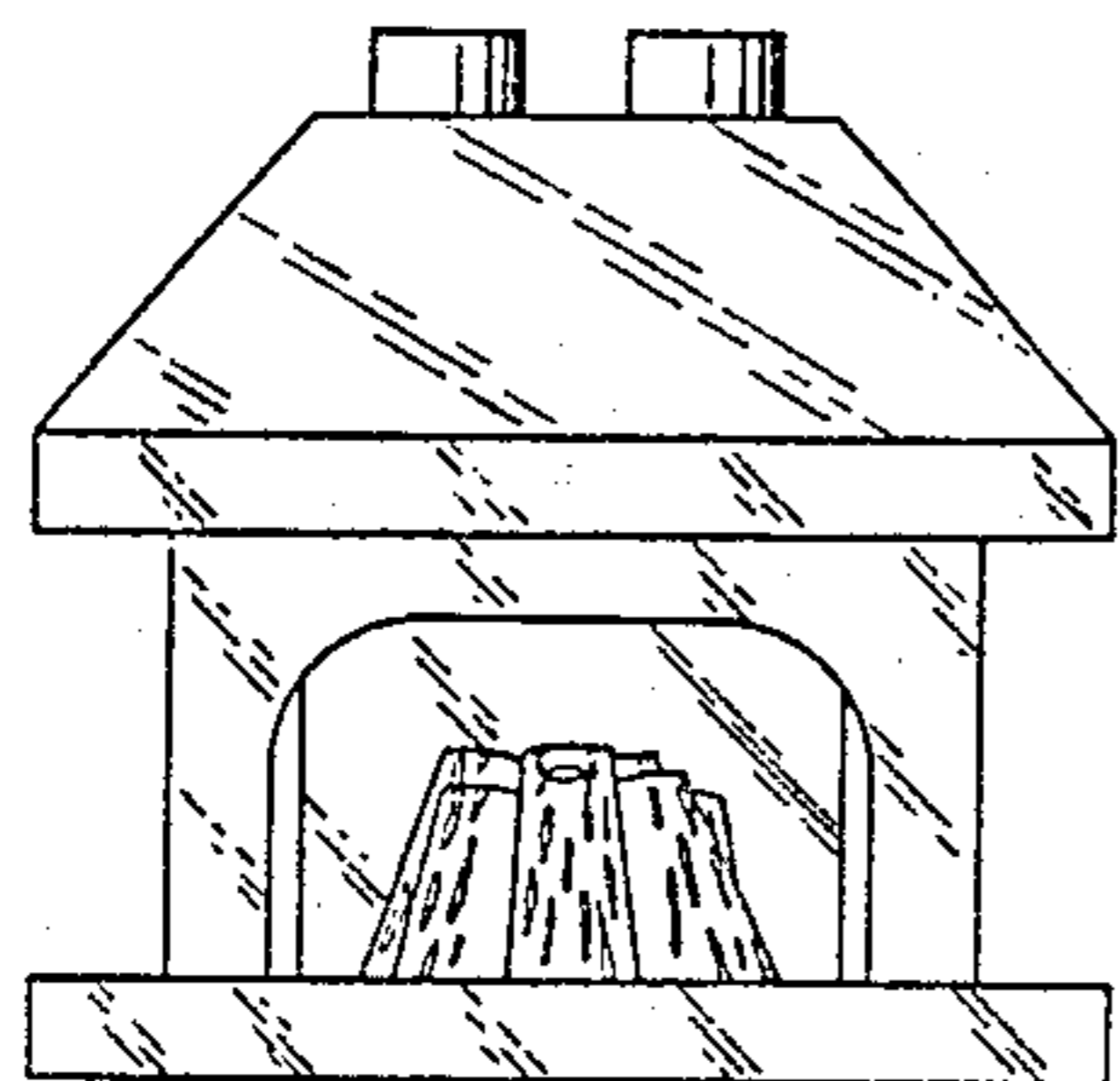


FIG. 3

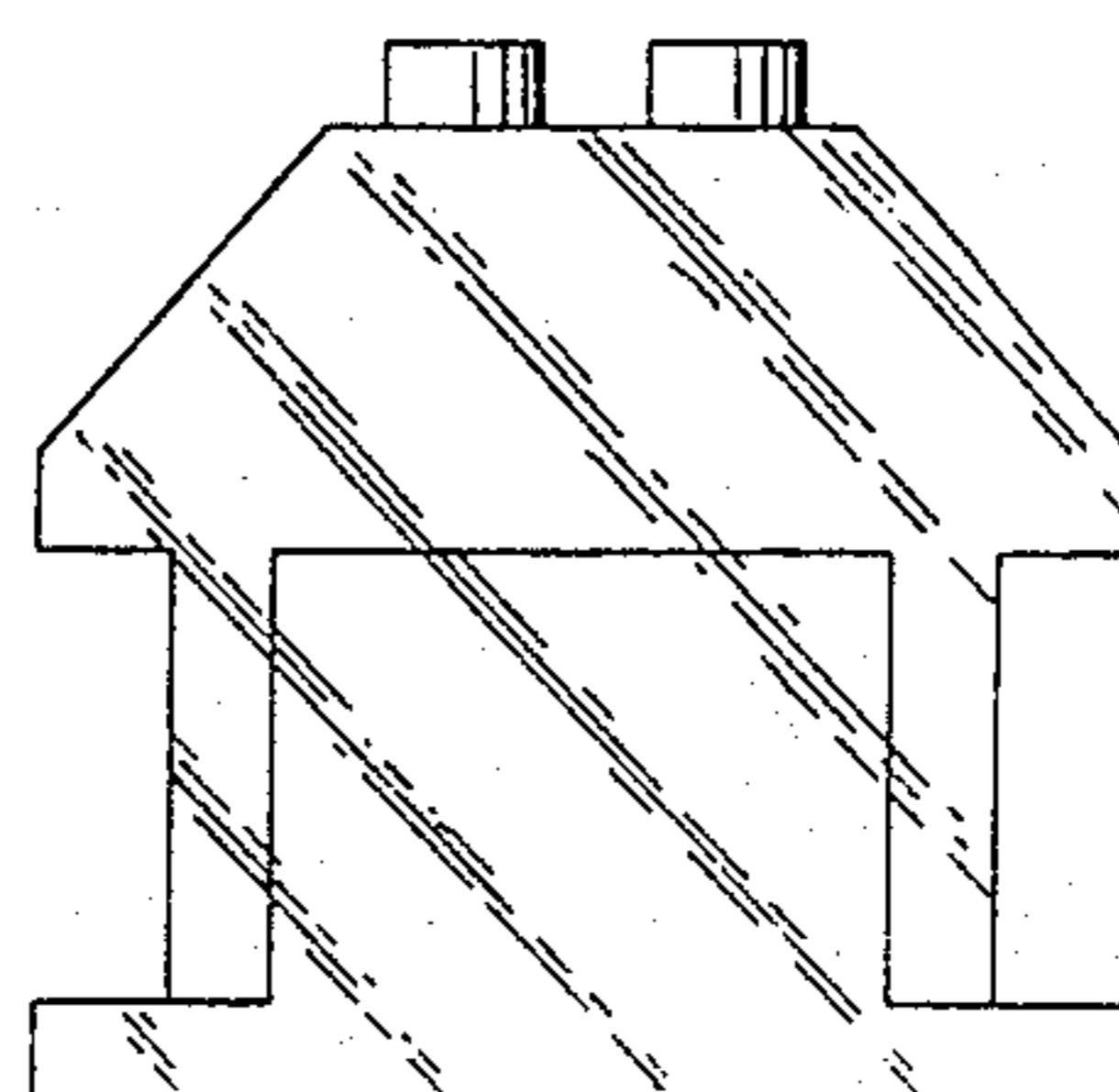


FIG. 5

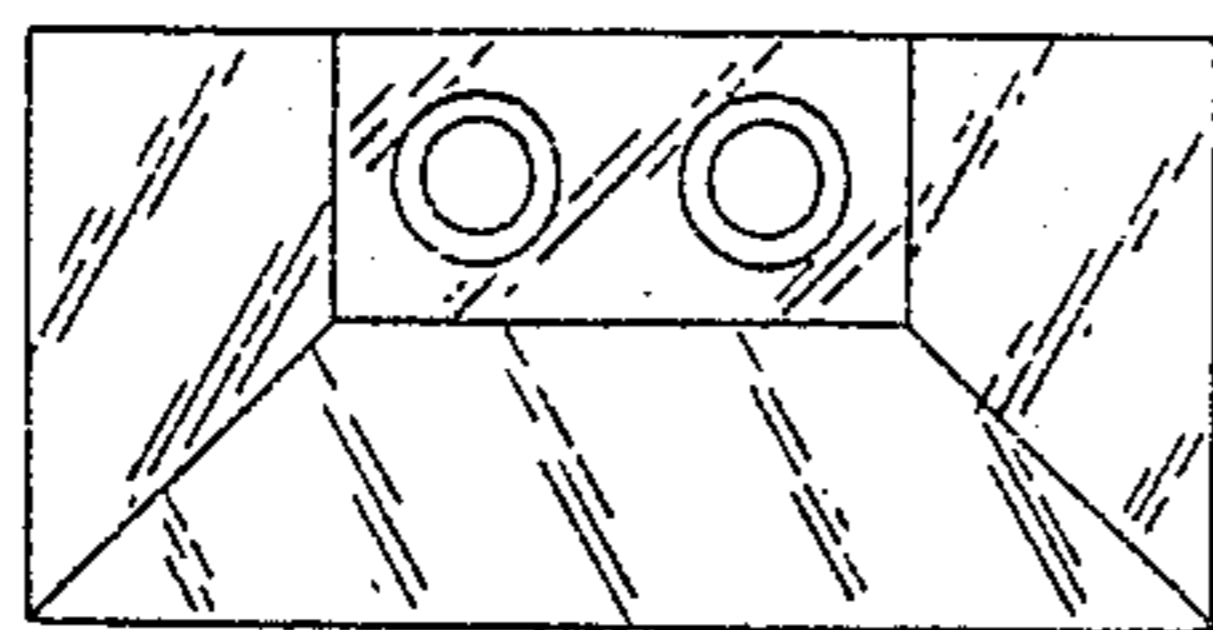


FIG. 2

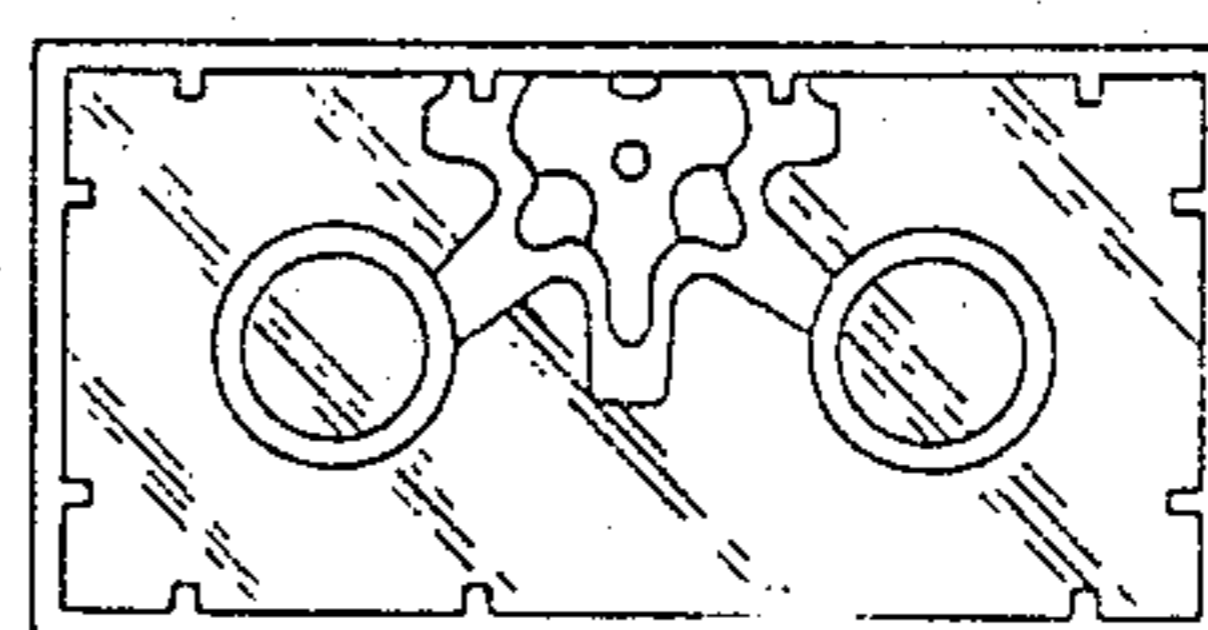


FIG. 6

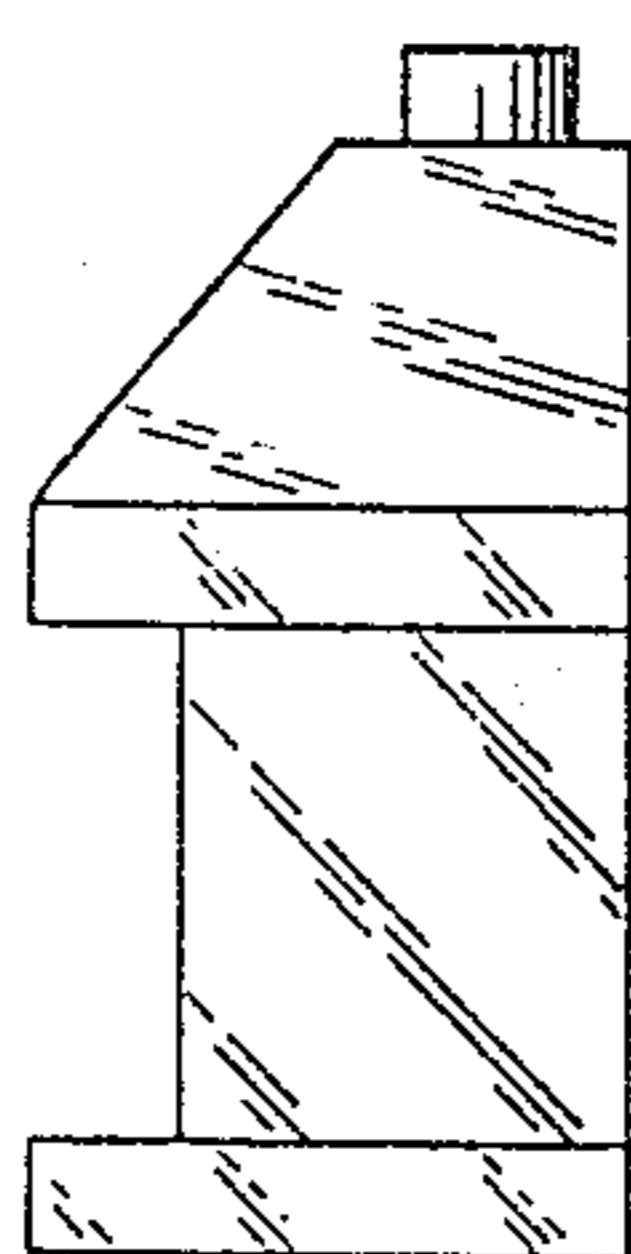


FIG. 4

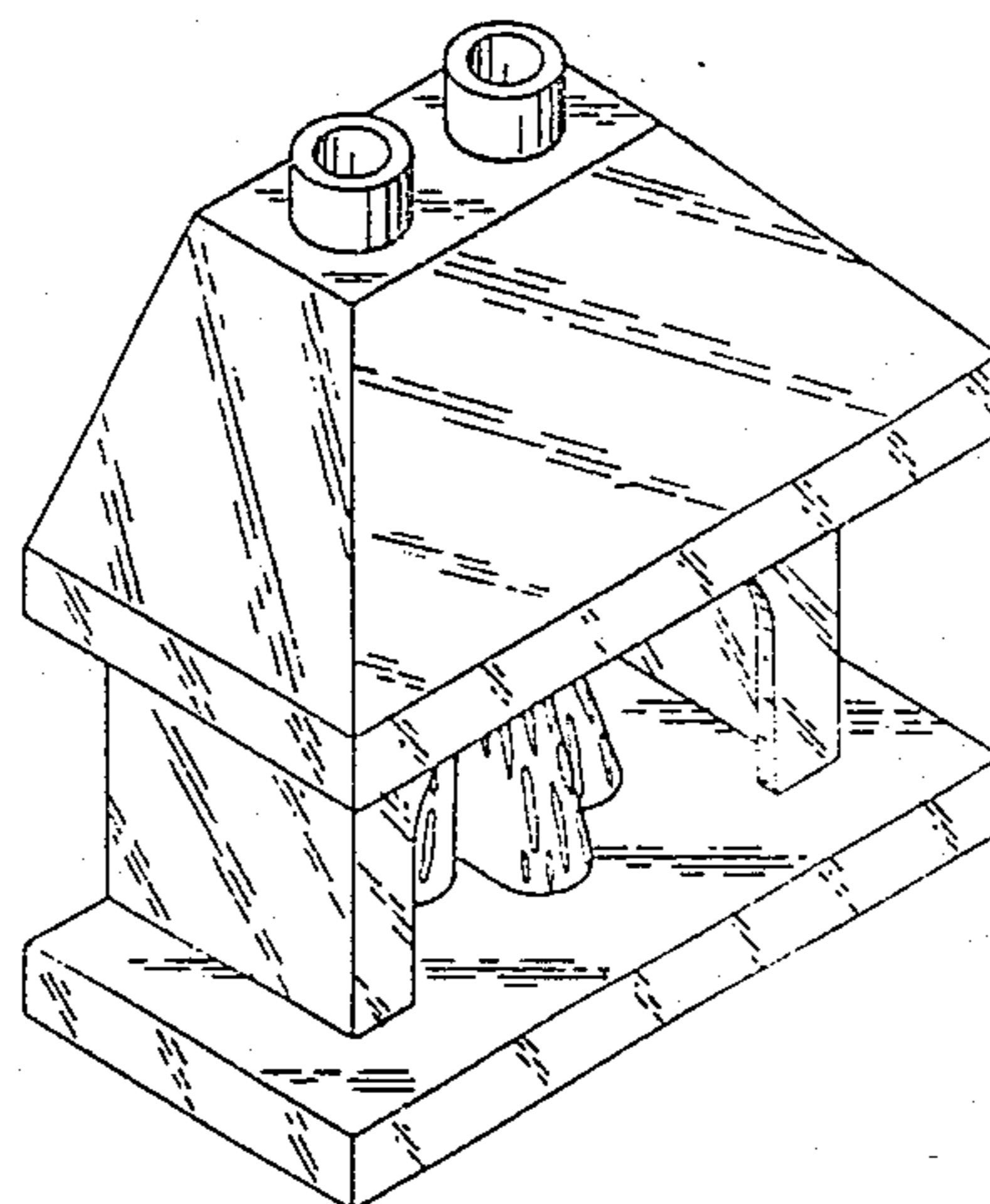


FIG. 1