

[54] STORAGE CASE FOR DISKETTES

[75] Inventors: **Craig D. Drake; Ross A. Jessen**, both of Muscatine, Iowa

[73] Assignee: **Ring King Visibles, Inc.**, Muscatine, Iowa

[**] Term: **14 Years**

[21] Appl. No.: **687,906**

[22] Filed: **Dec. 31, 1984**

[52] U.S. Cl. **D3/35; D3/78; D19/76**

[58] Field of Search **D3/30.1, 35, 74, 78; 206/444, 425, 387, 309-313; 312/294; D9/422, 420**

[56] **References Cited**
U.S. PATENT DOCUMENTS
 D. 267,911 2/1983 Long et al. D3/78

D. 280,041 8/1985 Long et al. D3/35
 D. 282,313 1/1986 Long et al. D3/35
 D. 287,068 12/1986 Long et al. D3/35
 D. 287,544 1/1987 Long et al. D3/35

Primary Examiner—George P. Word
Attorney, Agent, or Firm—Neuman, Williams Anderson & Olson

[57] **CLAIM**

The ornamental design for a storage case for diskettes, substantially as shown and described.

DESCRIPTION

FIG. 1 is a perspective view of a storage case for diskettes showing our new design, with the case closed; FIG. 2 is the same perspective view thereof with the case fully opened; FIG. 3 is a top plan view thereof; FIG. 4 is a right side elevational view thereof; FIG. 5 is a front elevational view thereof; and FIG. 6 is a rear elevational view thereof.

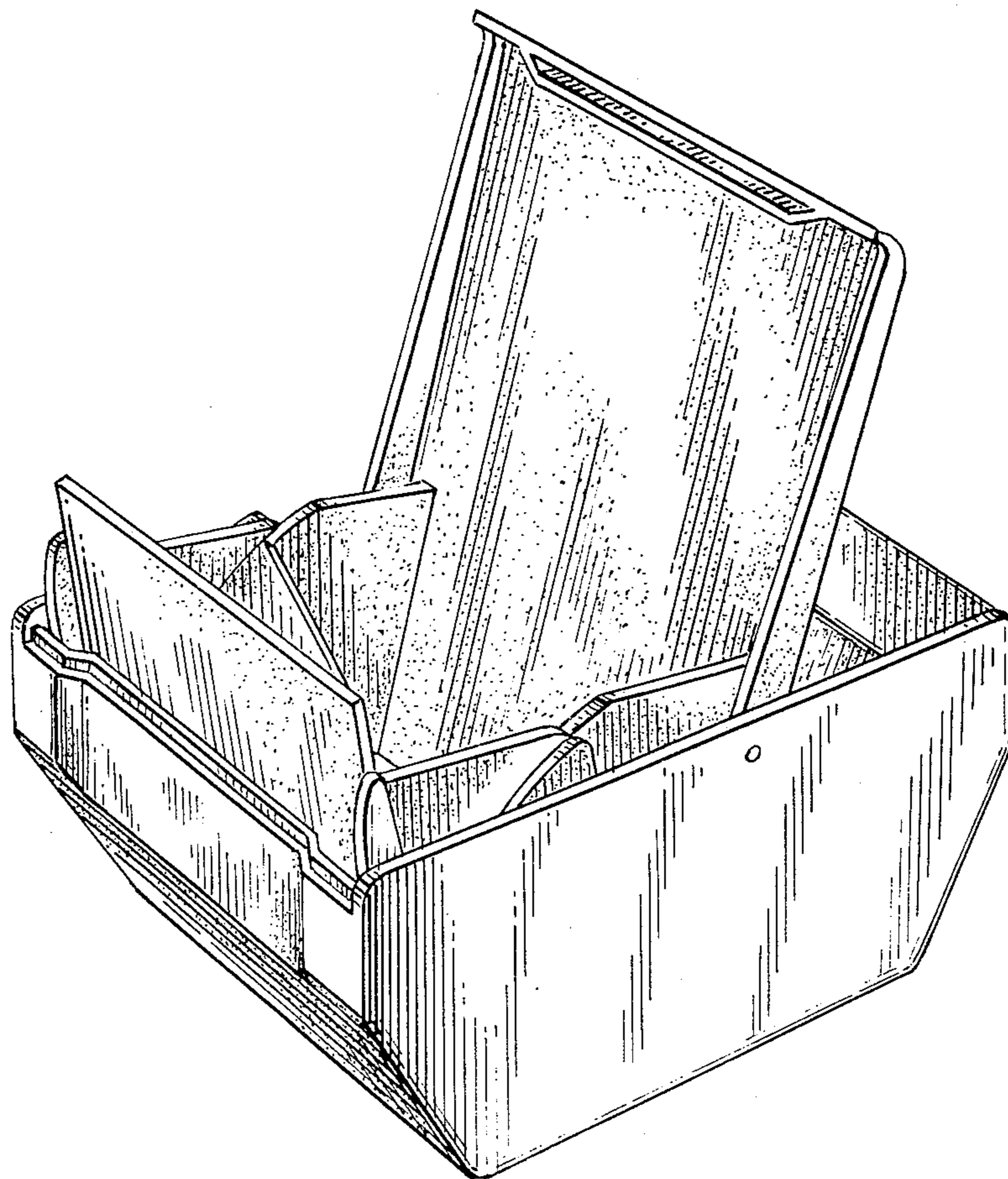


FIG. 1

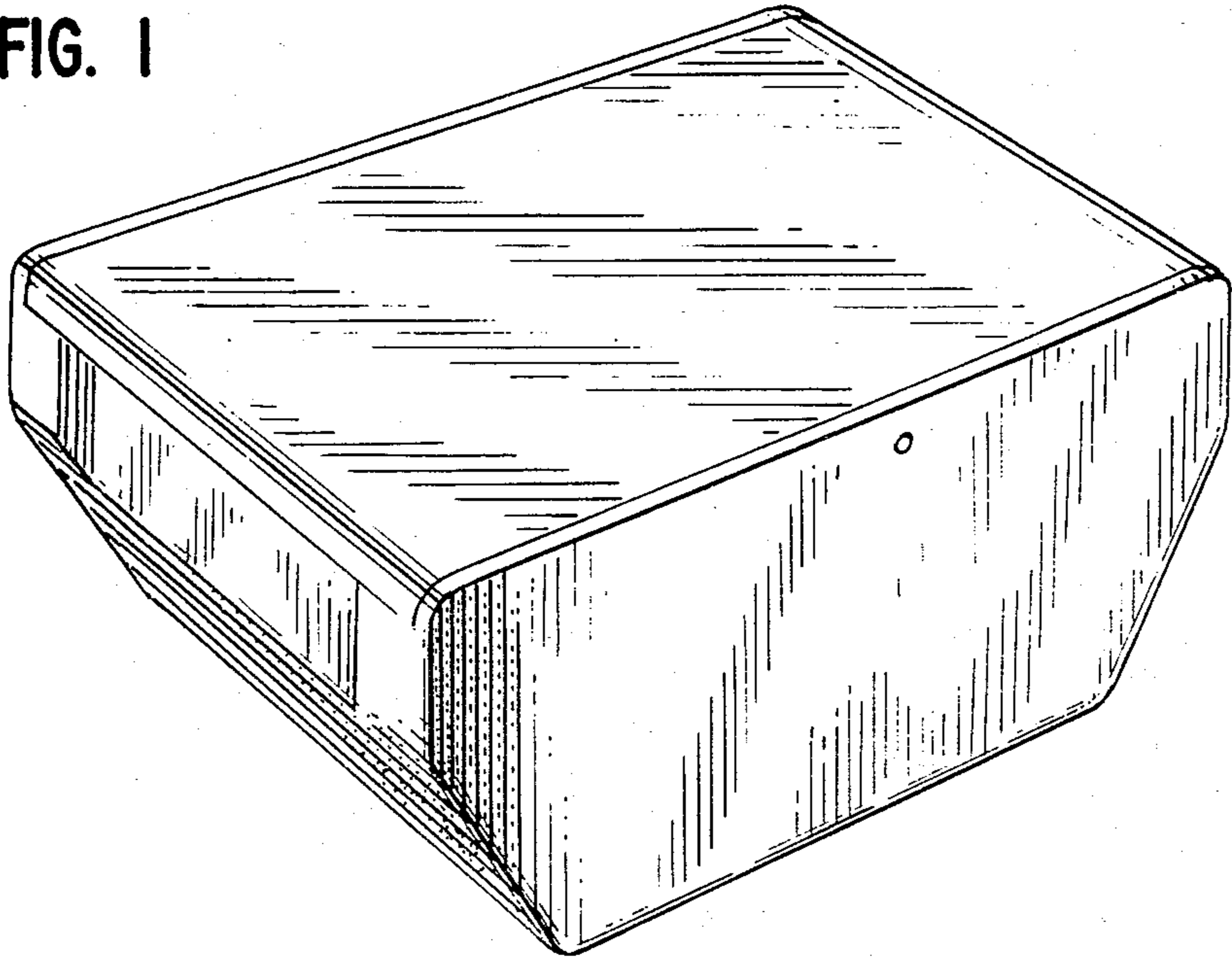


FIG. 2

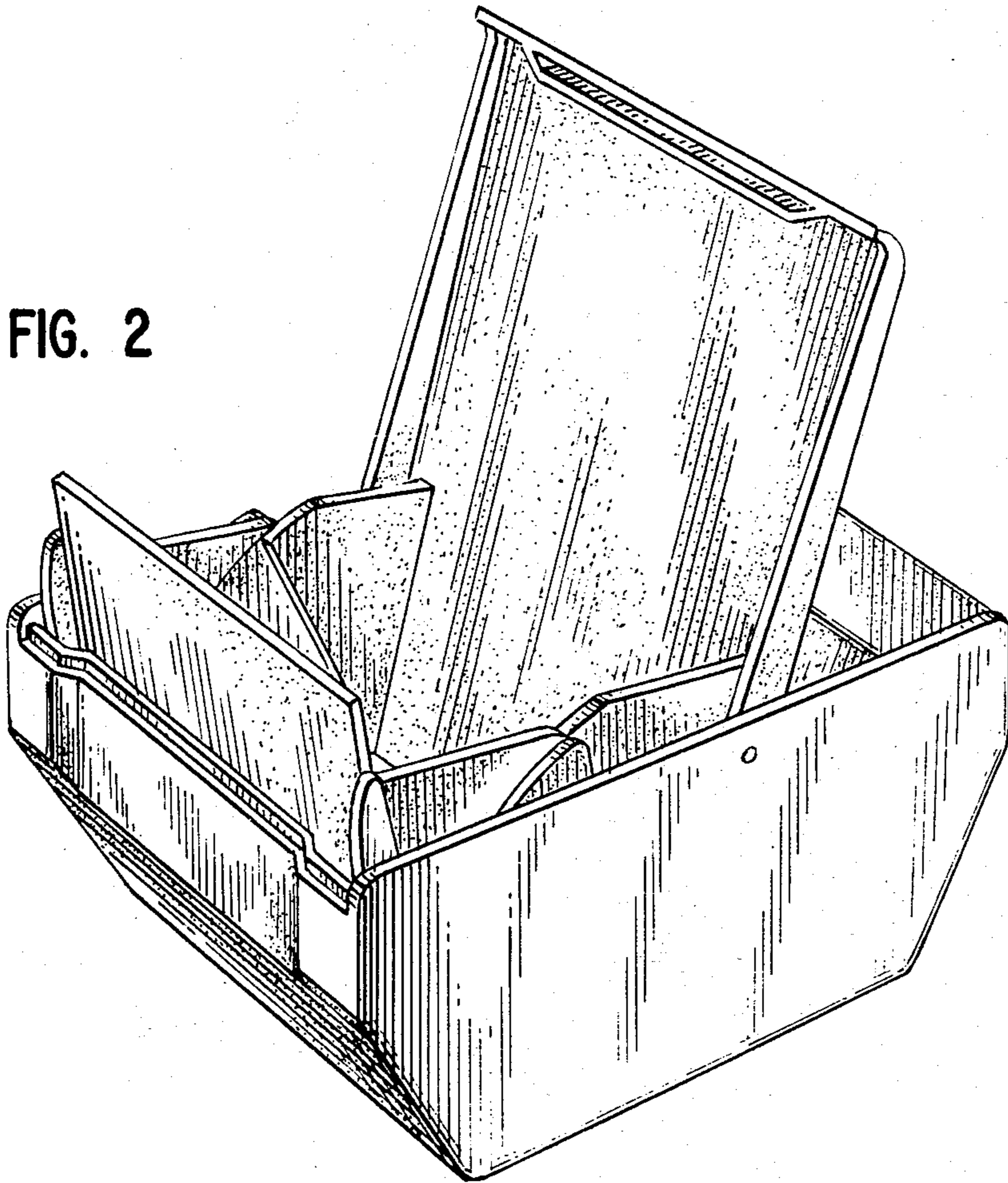


FIG. 3

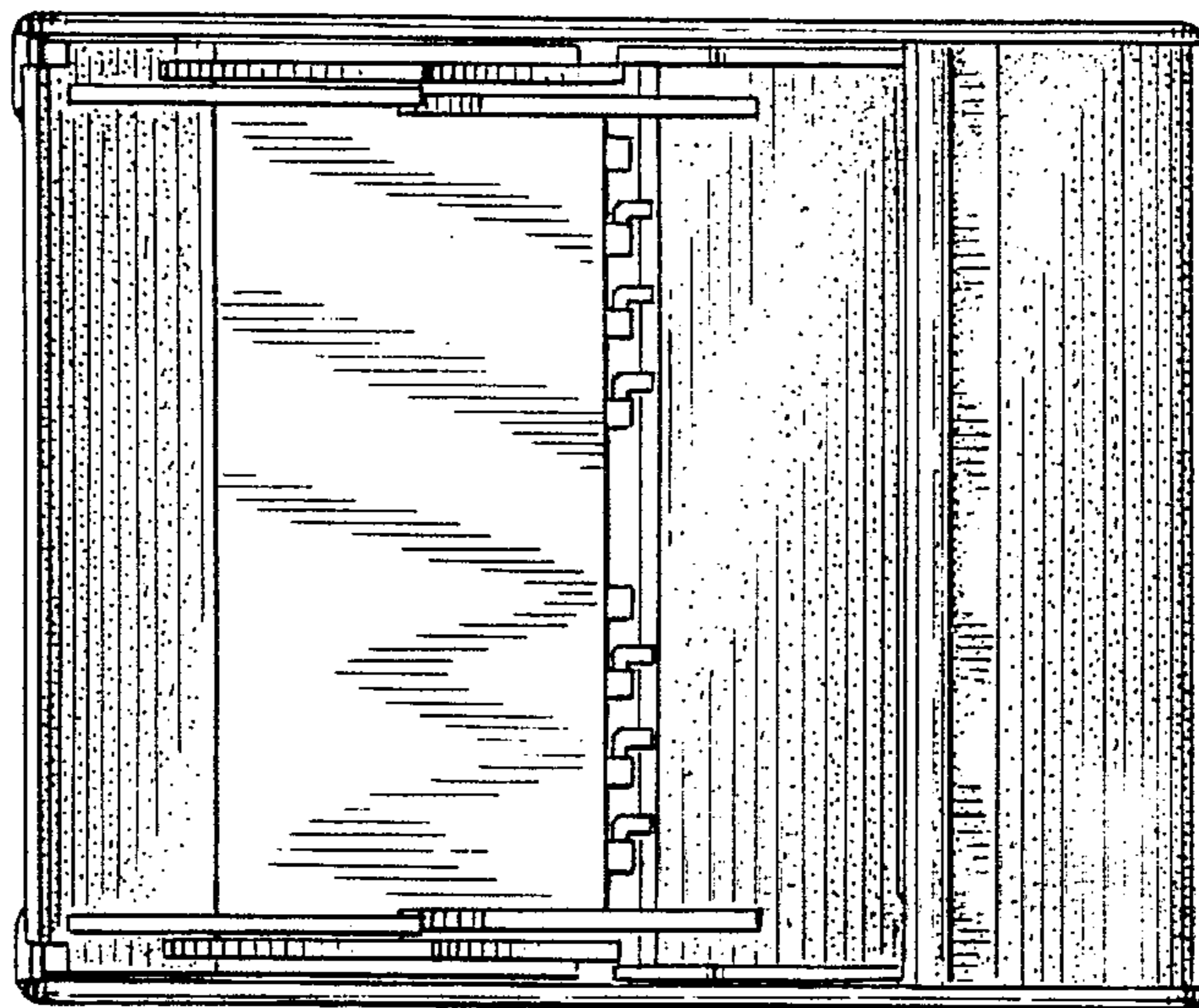


FIG. 4

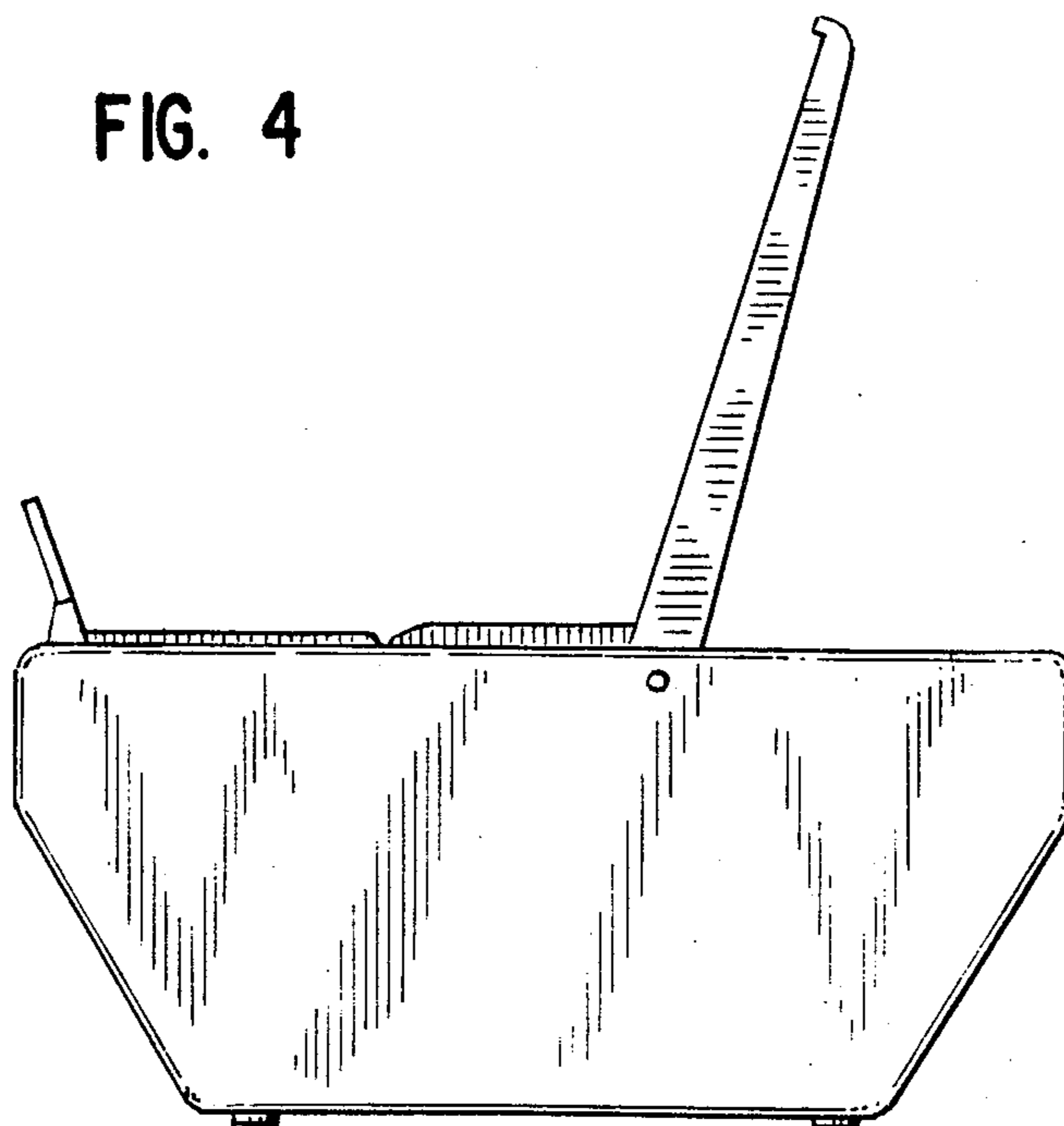


FIG. 5

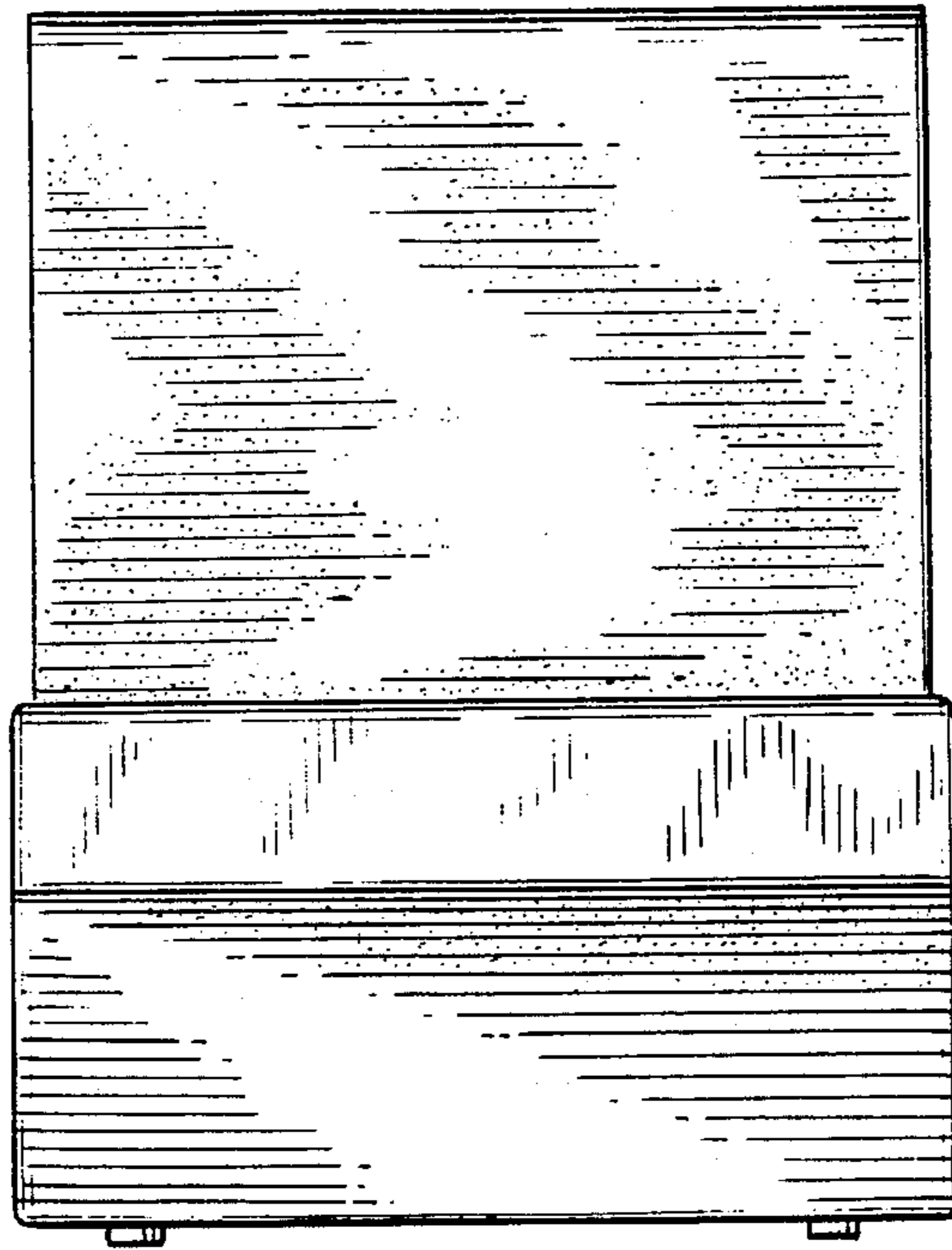
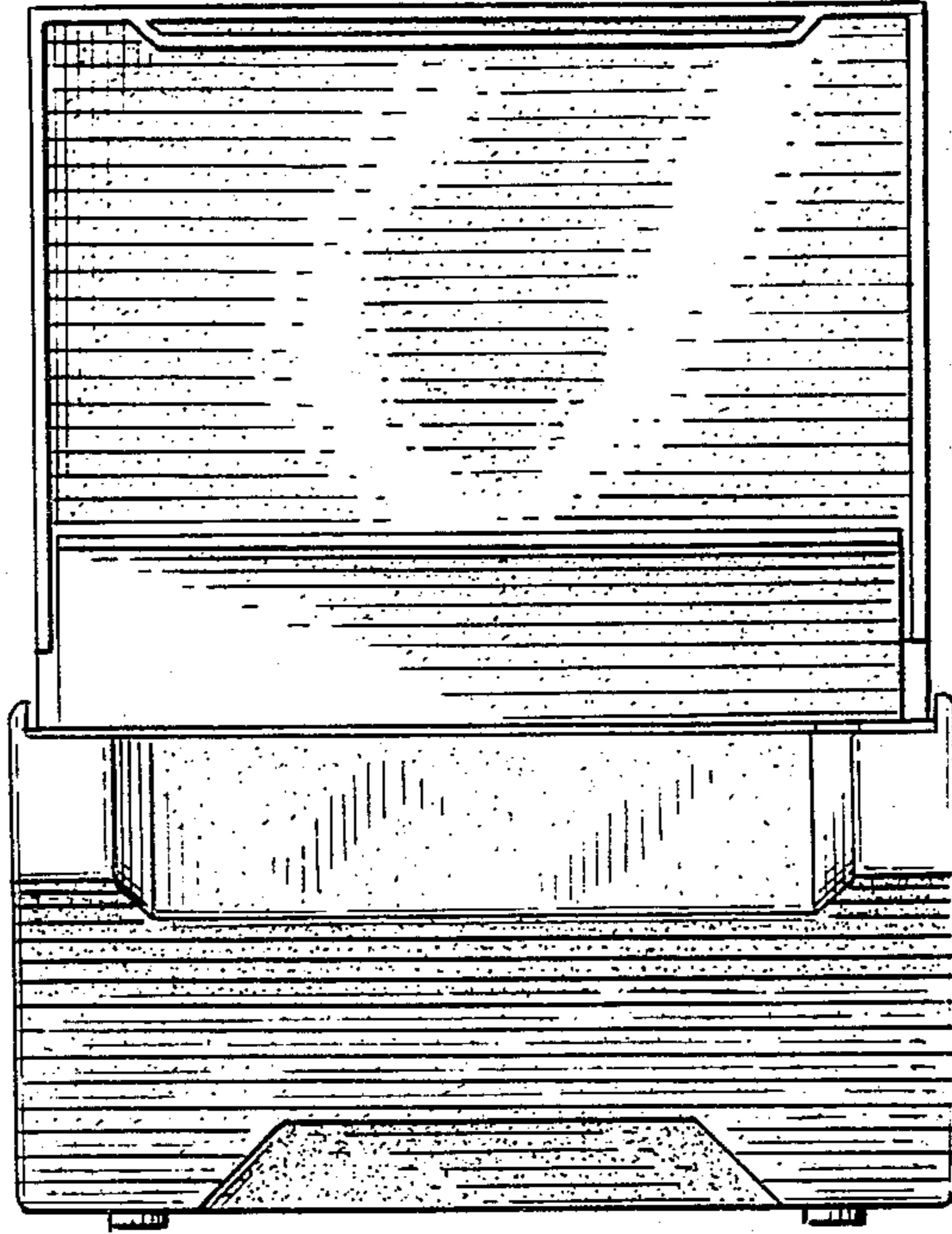


FIG. 6