

[54] WOOD LOG SHEAR

[76] Inventors: Carroll T. Tostenson, 4650 Sierra Madre Dr. - No. 468, Reno, Nev. 89502; Drusilla M. Tostenson, P.O. Box 153, Chilcoat, Calif. 96105

[**] Term: 14 Years

[21] Appl. No.: 748,093

[22] Filed: Jun. 24, 1985

[52] U.S. Cl. D15/129

[58] Field of Search D15/129, 127; 144/49, 144/193 A, 3 B, 3 K; 83/563, 564, 613, 639, 644, 821

[56] References Cited

U.S. PATENT DOCUMENTS

D. 138,899 9/1944 Hercik D15/129
4,054,075 10/1977 Dvorak 83/639

4,063,483 12/1977 Kawaguchi et al. 83/639
4,160,470 7/1979 Sigmund 144/193 A
4,249,443 2/1981 Jagers 83/639
4,476,760 10/1984 Block et al. 83/639
4,506,578 3/1985 Gaines et al. 83/639

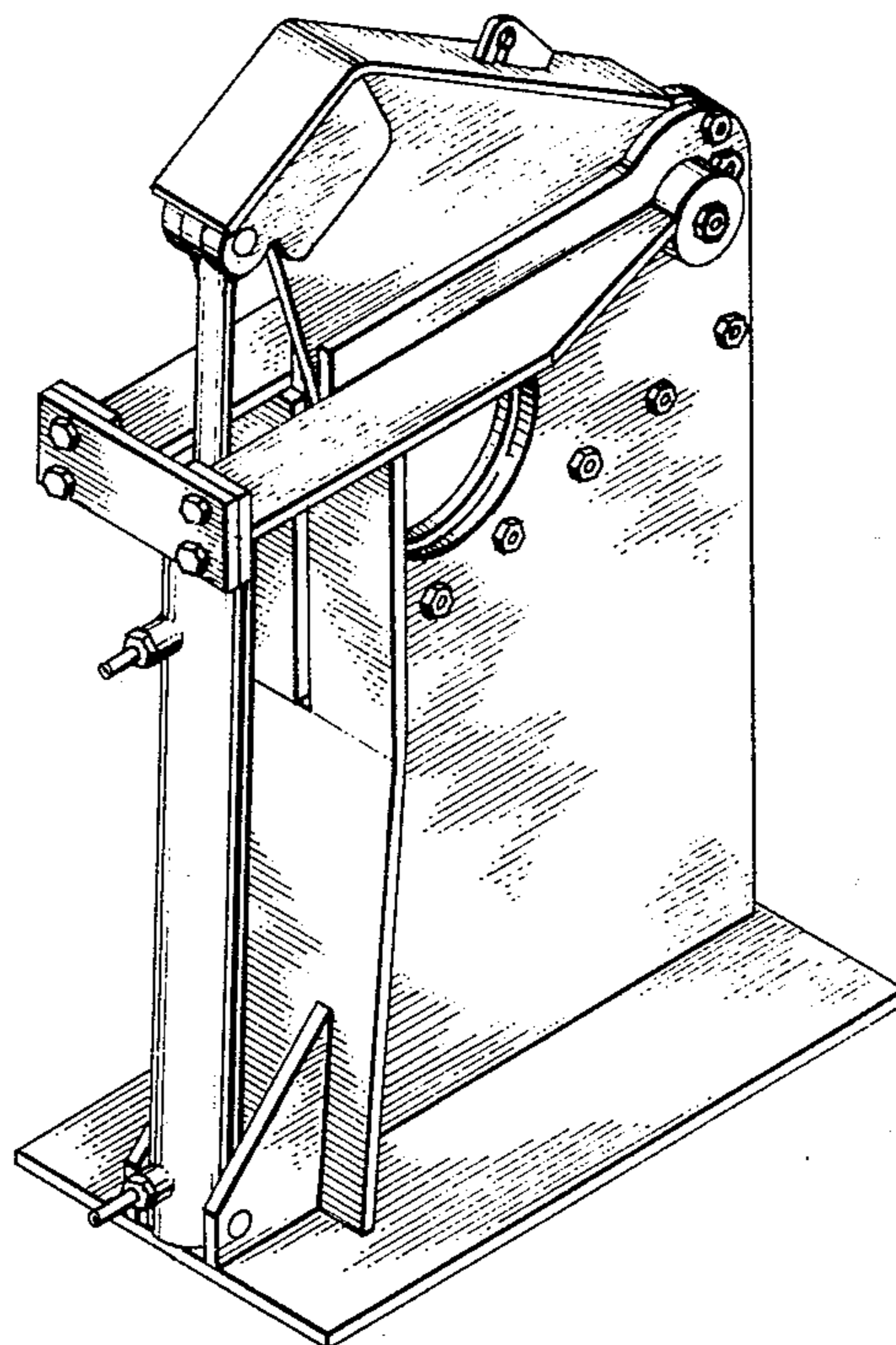
Primary Examiner—B. J. Bullock
Attorney, Agent, or Firm—Lothrop & West

[57] CLAIM

The ornamental design for a wood log shear, as shown and described.

DESCRIPTION

FIG. 1 is a perspective view of a wood log shear, showing our new design;
FIG. 2 is a front elevational view thereof;
FIG. 3 is a right end elevational view thereof;
FIG. 4 is a rear elevational view thereof;
FIG. 5 is a left end elevational view thereof;
FIG. 6 is a top plan view thereof, the bottom being unornamented.



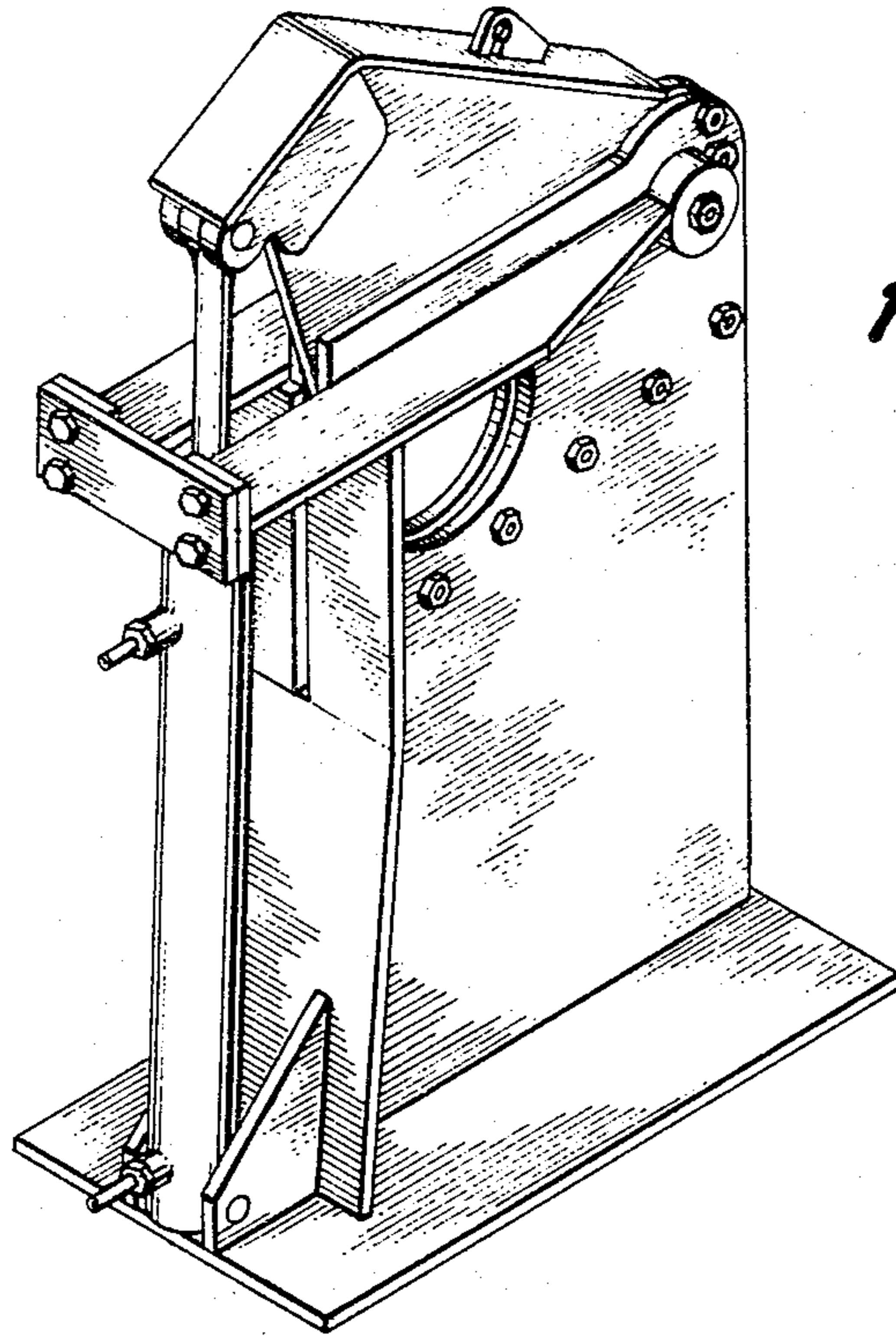


FIG. 1

FIG. 2

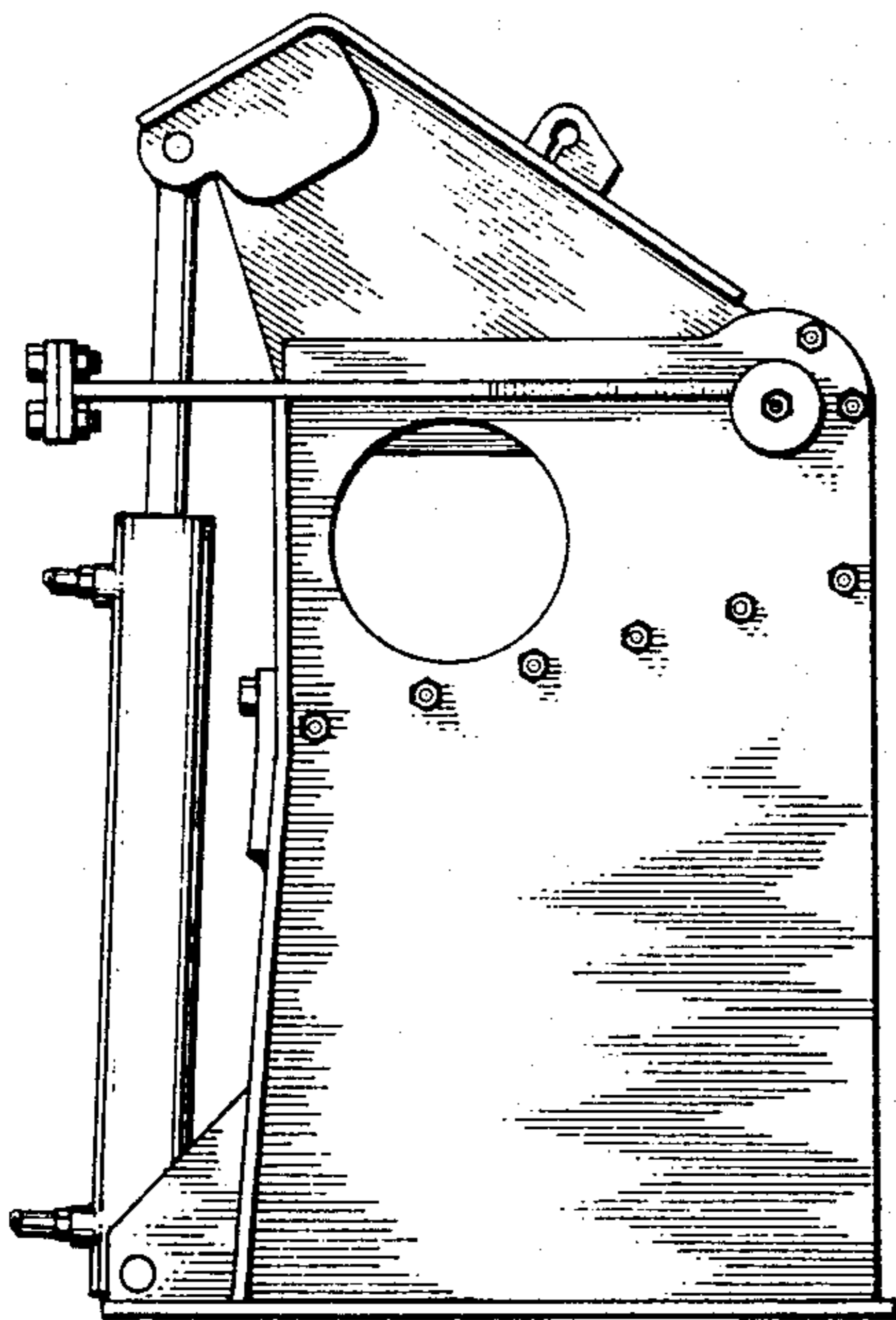
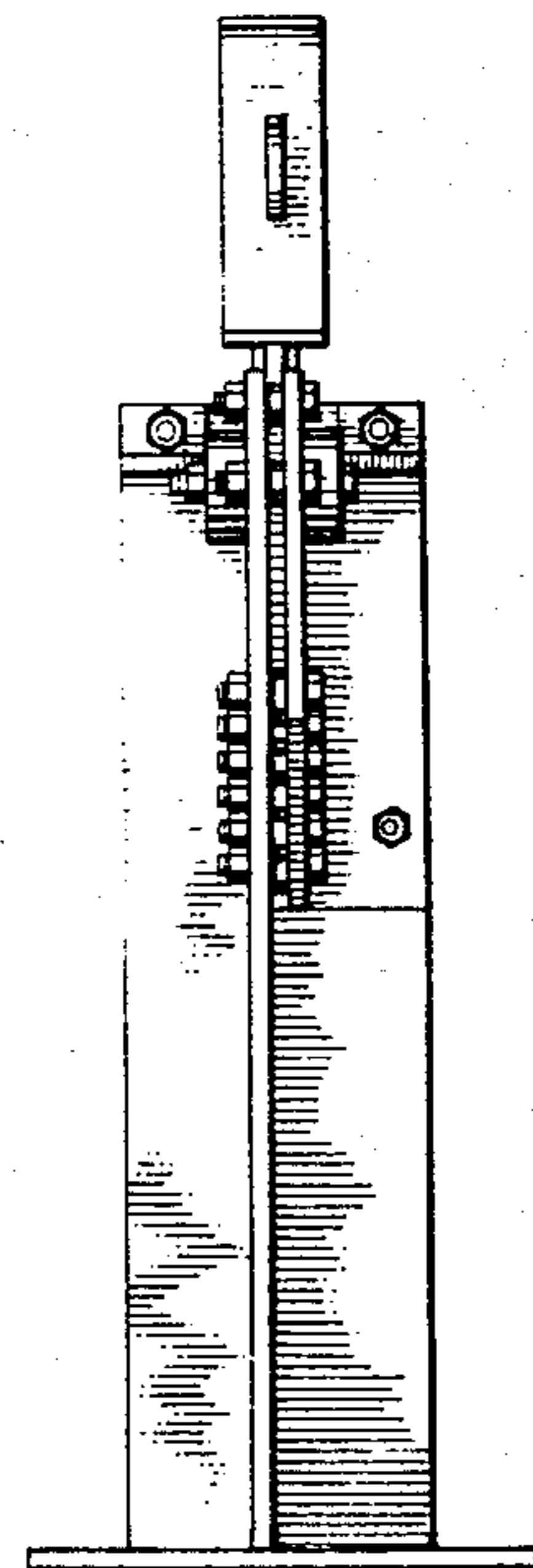


FIG. 3



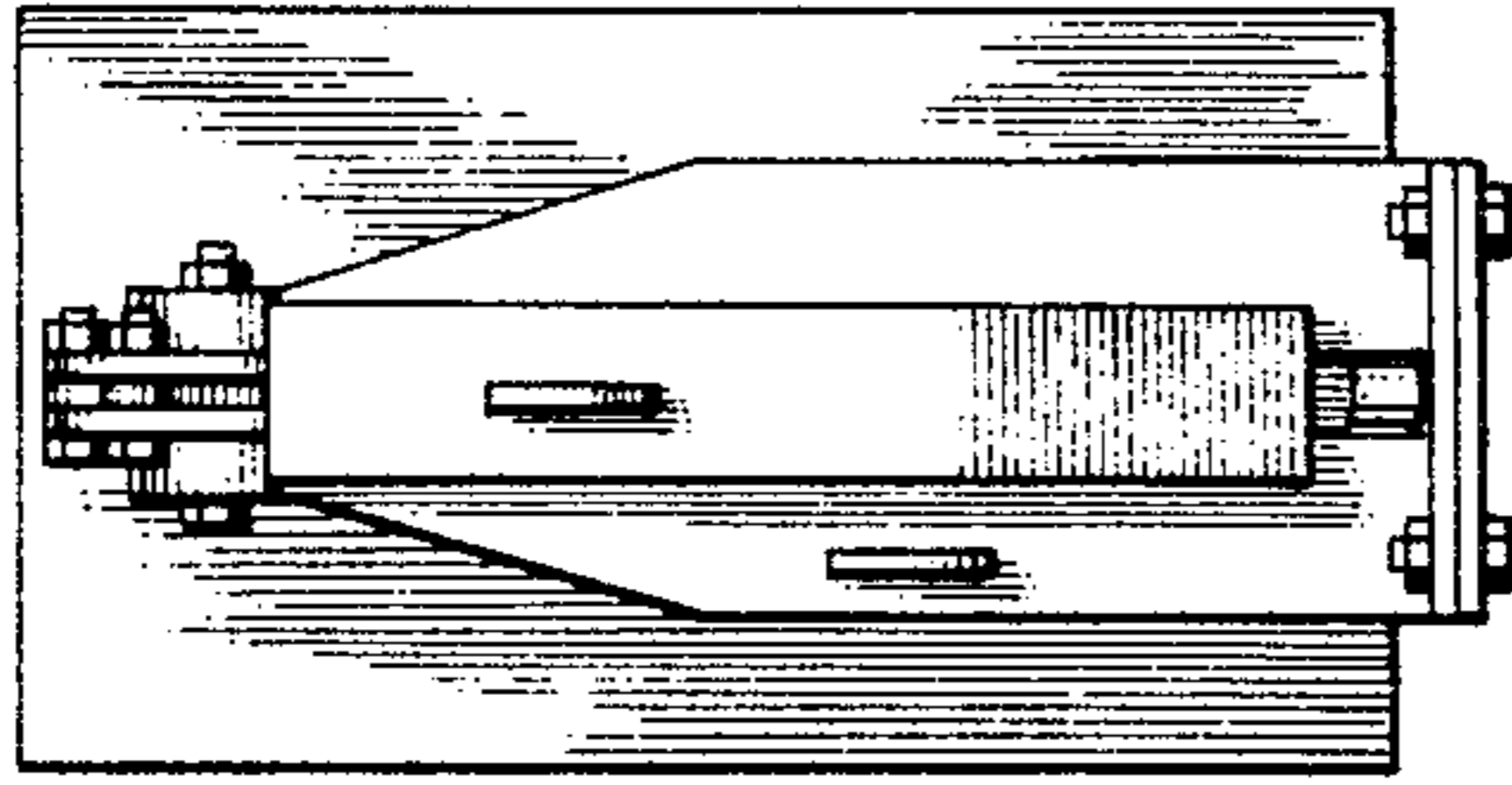


FIG-6

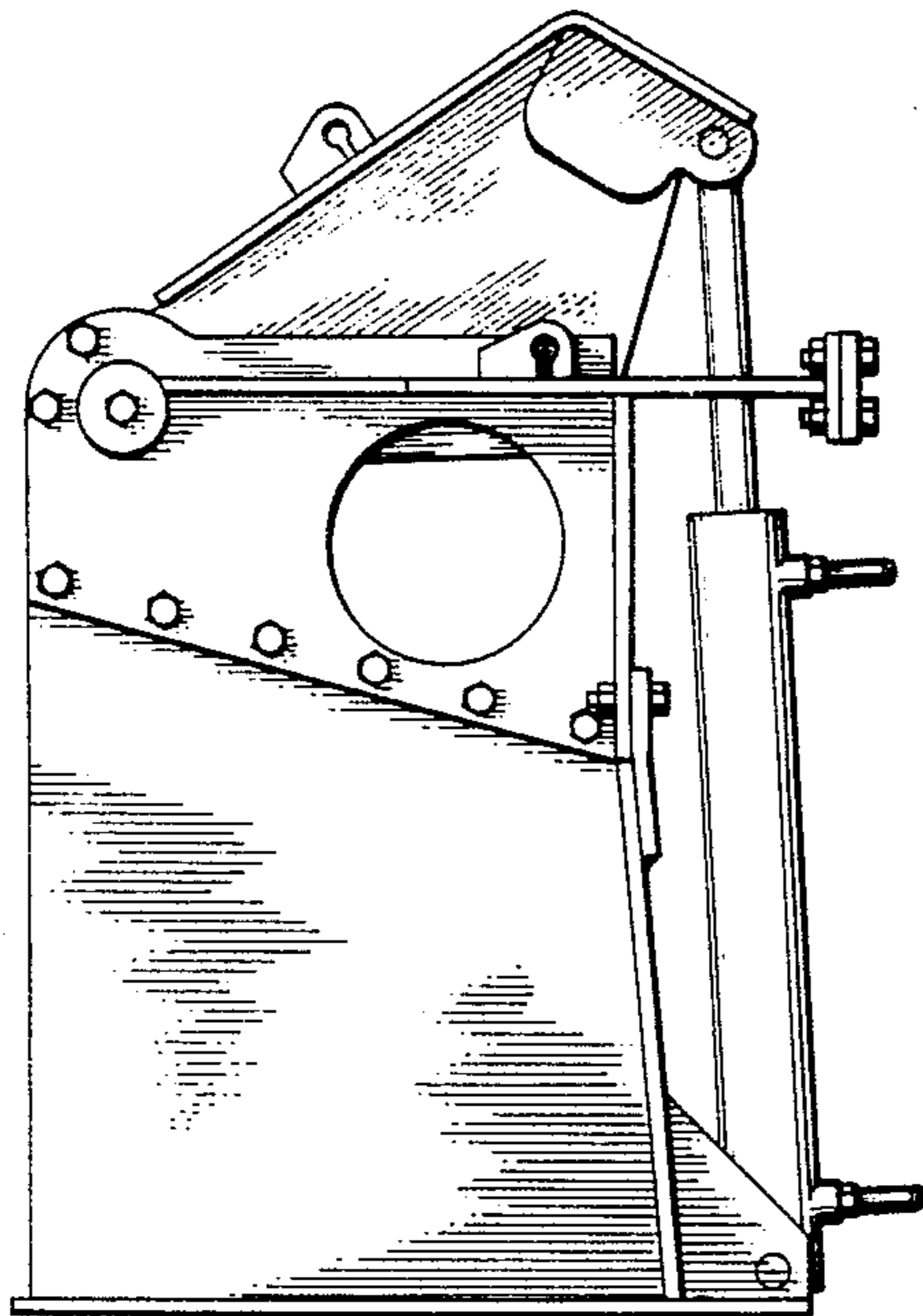


FIG-4

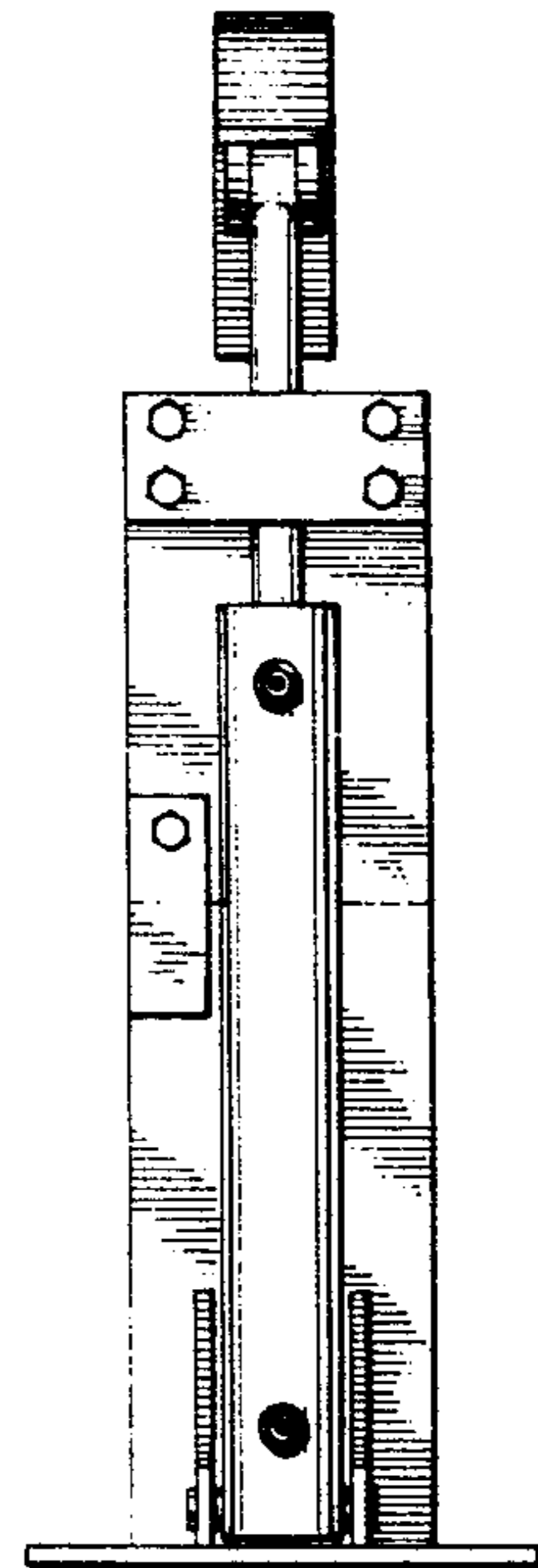


FIG-5