

[54] DIAPHRAGM PUMP

[76] Inventor: Cecil T. Hicks, 908 Cassandra Ave., Huntsville, Ala. 35802

[**] Term: 14 Years

[21] Appl. No.: 639,446

[22] Filed: Aug. 10, 1984

[52] U.S. Cl. D15/7

[58] Field of Search D15/7, 9; 417/393-394, 417/395-397, 423, 454, 535-537, 236-237; 418/70; 92/128, 98 R

[56] References Cited

U.S. PATENT DOCUMENTS

- D. 264,972 6/1982 McMillin et al. D15/7
- D. 275,858 10/1984 Wilden D15/7
- 3,791,768 2/1974 Wanner 417/395 X

Primary Examiner—Wallace R. Burke

Assistant Examiner—Brian N. Vinson
Attorney, Agent, or Firm—C. A. Phillips

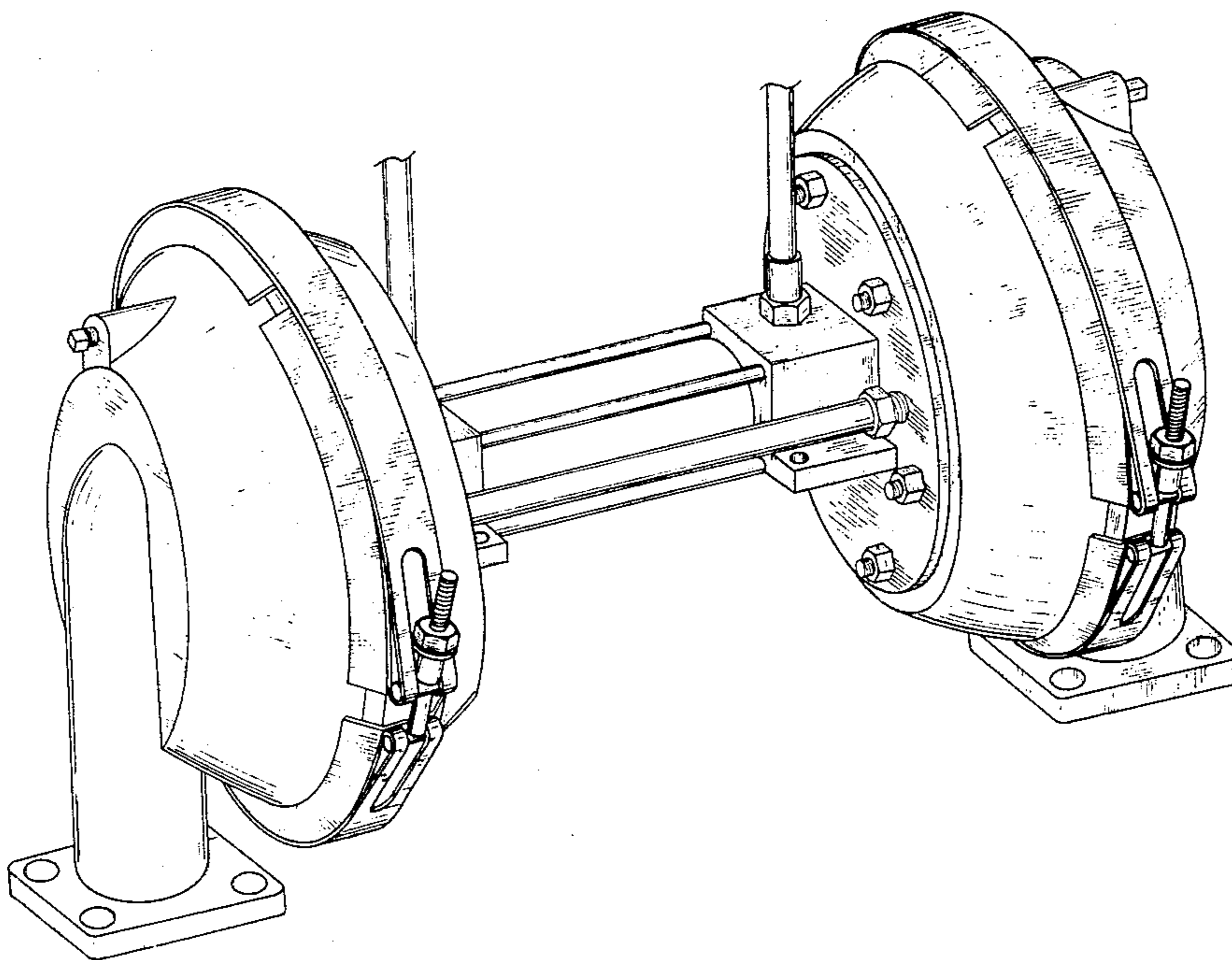
[57] CLAIM

The ornamental design for a diaphragm pump, substantially as shown and described.

DESCRIPTION

FIG. 1 is a top plan view of a diaphragm pump showing my new design;
 FIG. 2 is a bottom plan view thereof;
 FIG. 3 is a side elevational view thereof;
 FIG. 4 is an opposite side elevational view thereof;
 FIG. 5 is an end elevational view thereof, the opposite end being a mirror image;
 FIG. 6 is a top perspective view thereof.

The fluid hoses in FIGS. 3 and 4 are shown broken away to indicate indeterminate length, and the control lines in FIGS. 1, 2, and 3 are shown broken away for clarity of illustration.



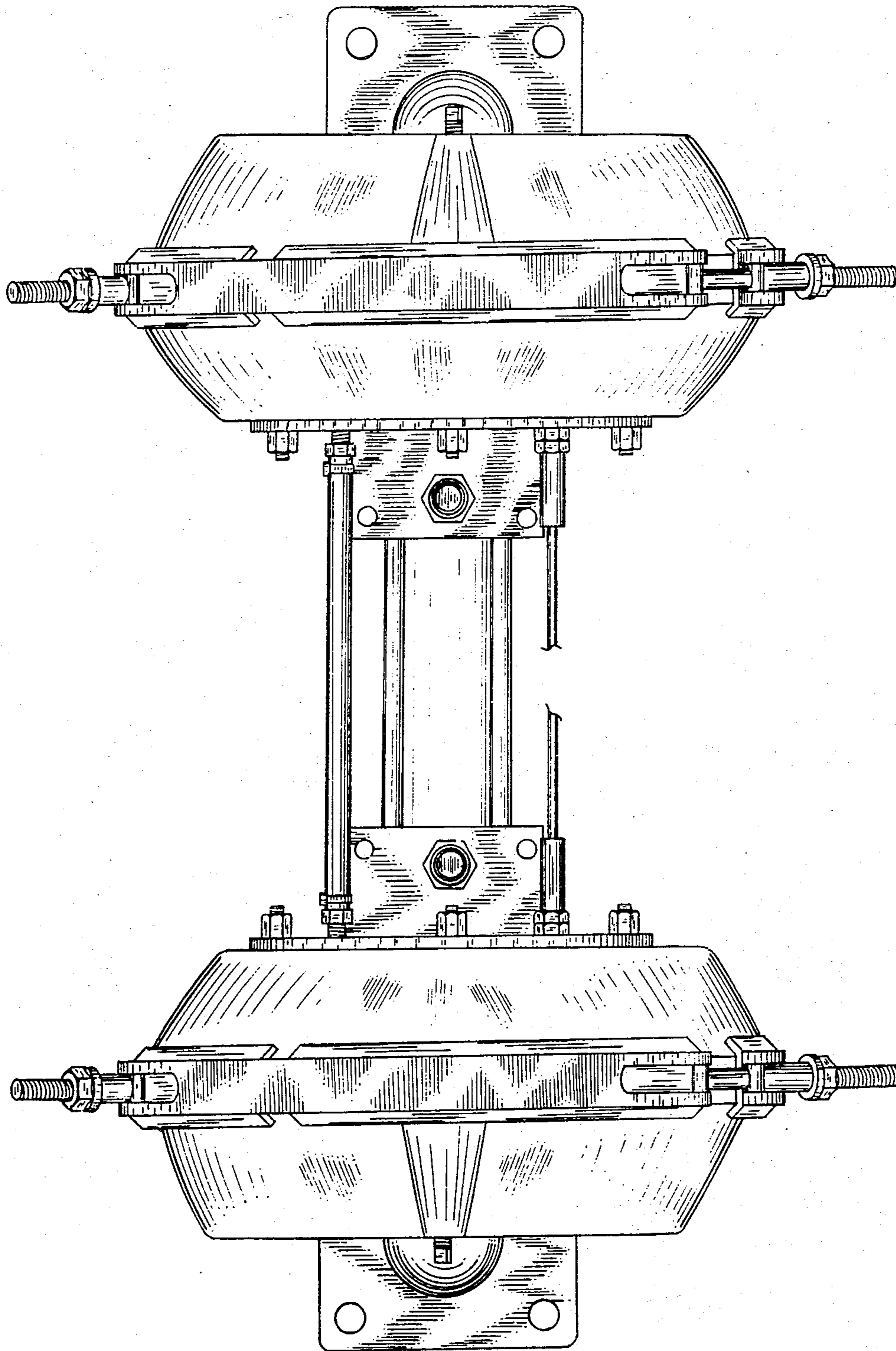


FIG. 1

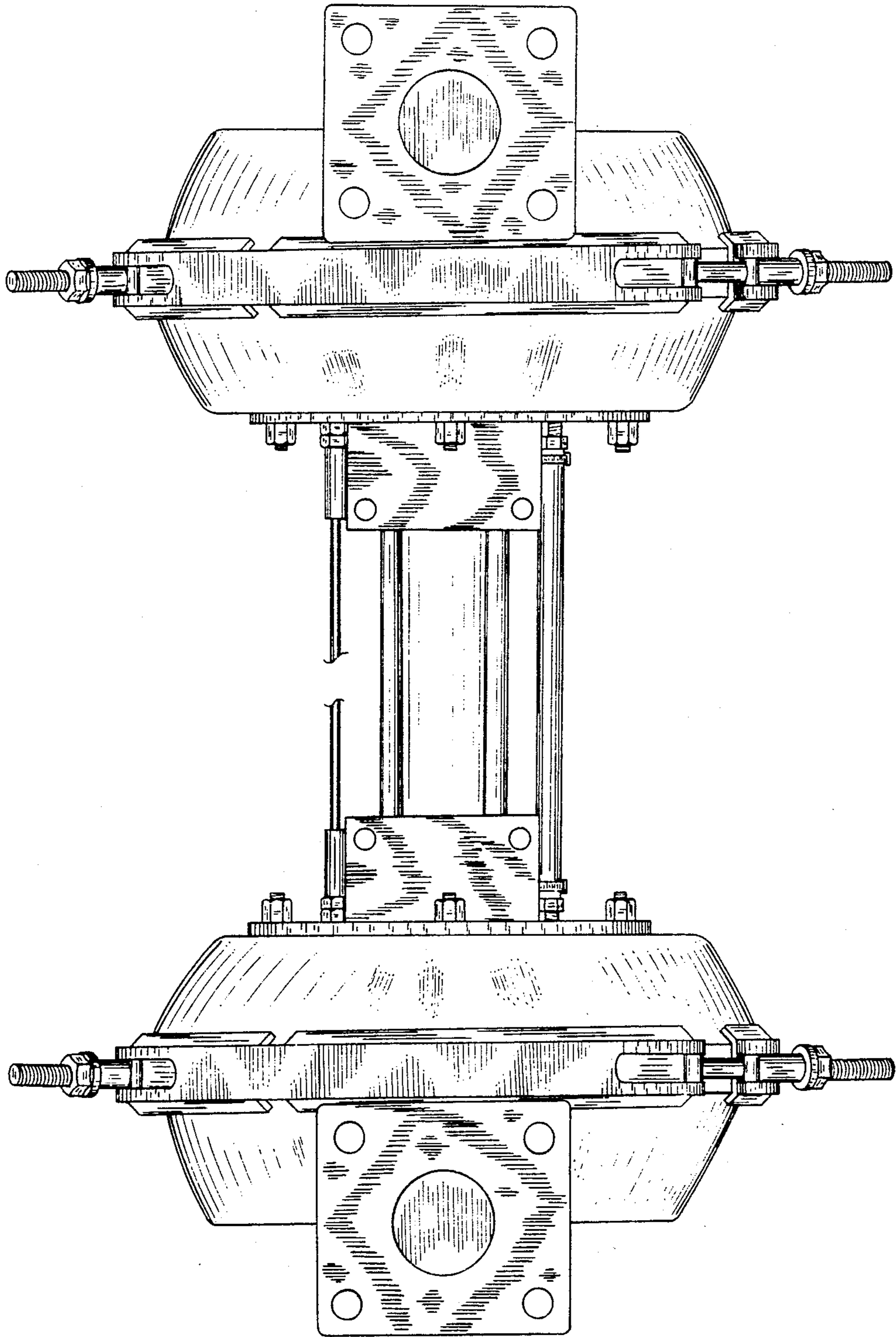


FIG. 2

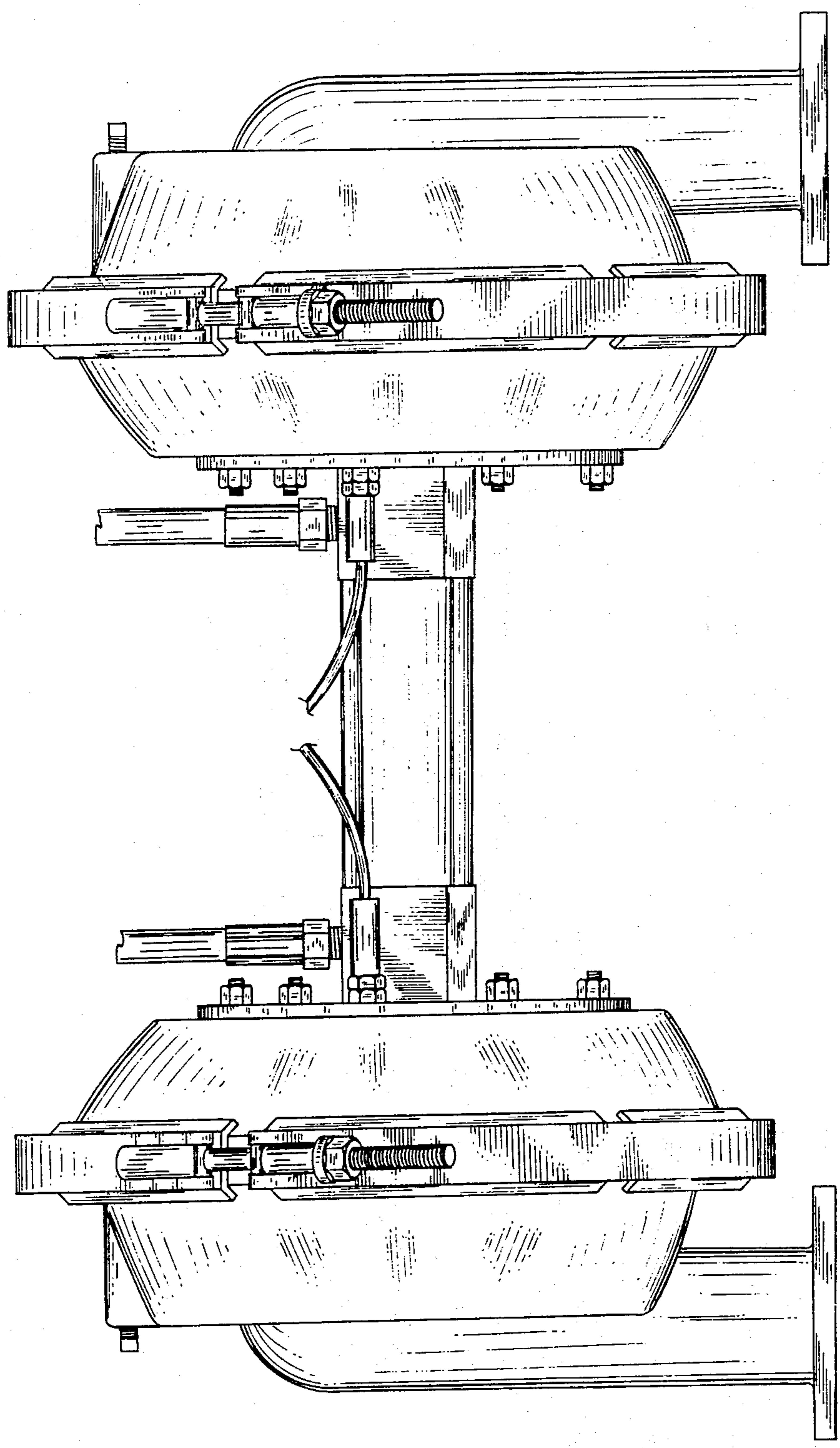


FIG. 3

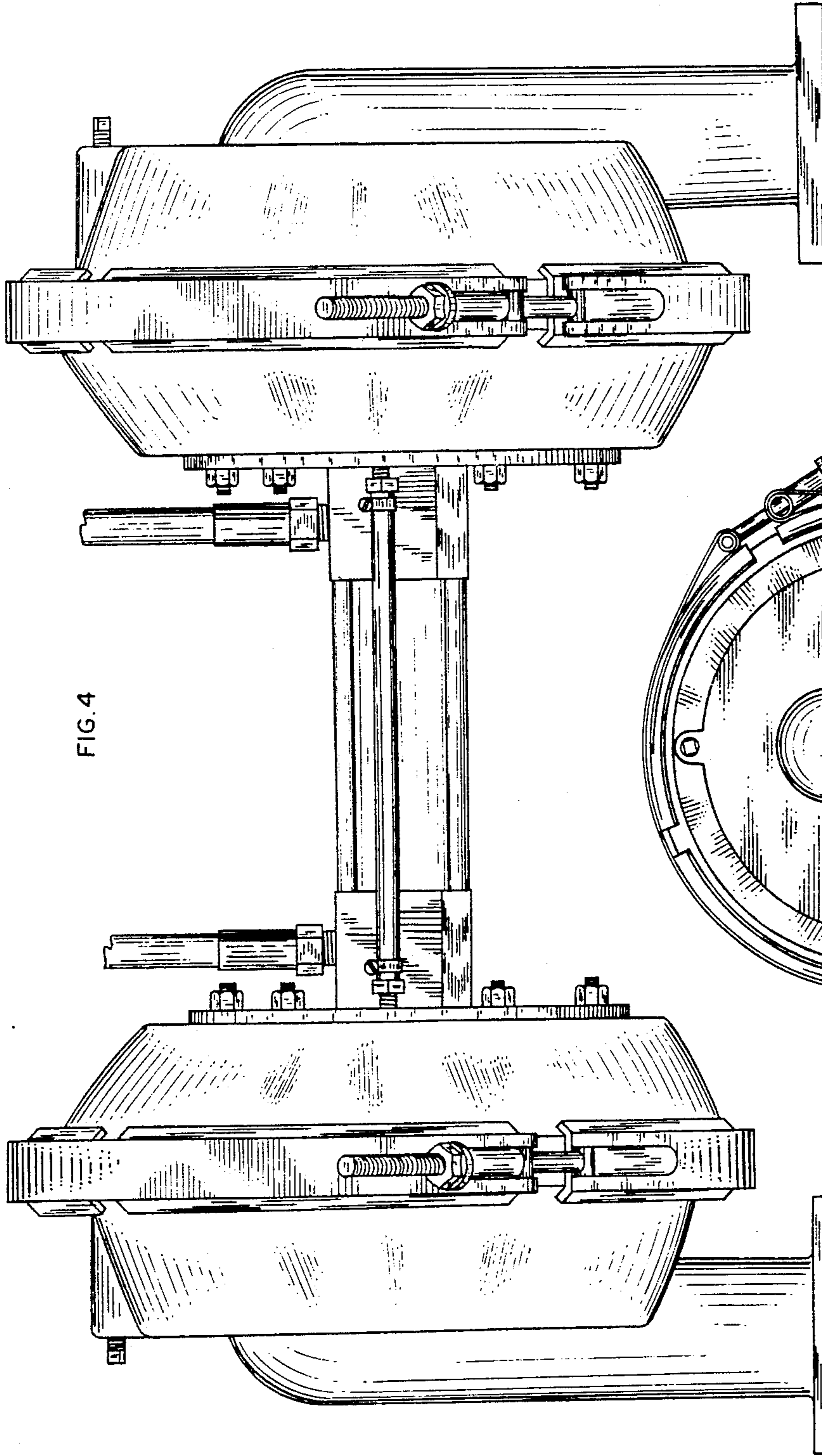


FIG. 4

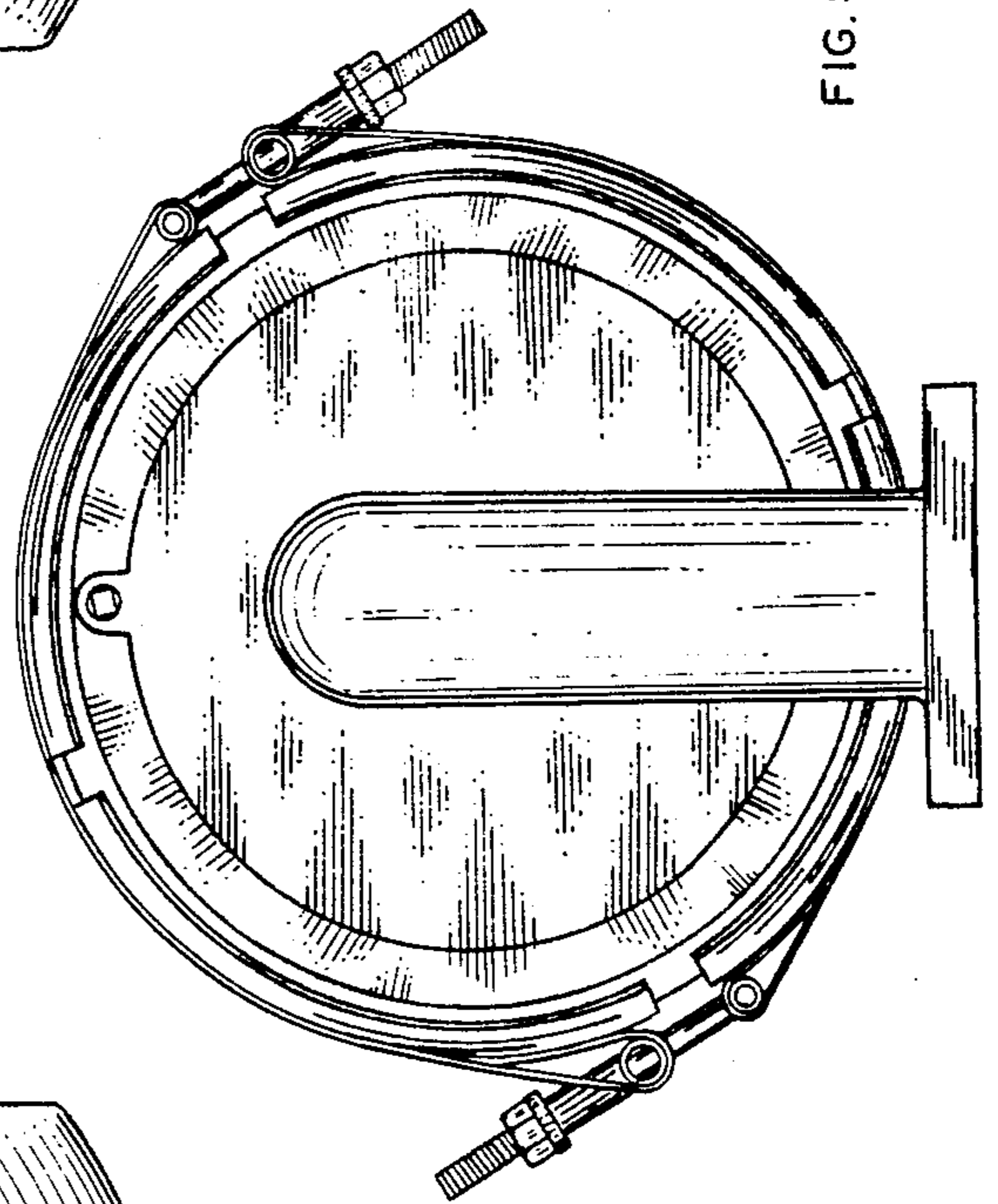


FIG. 5

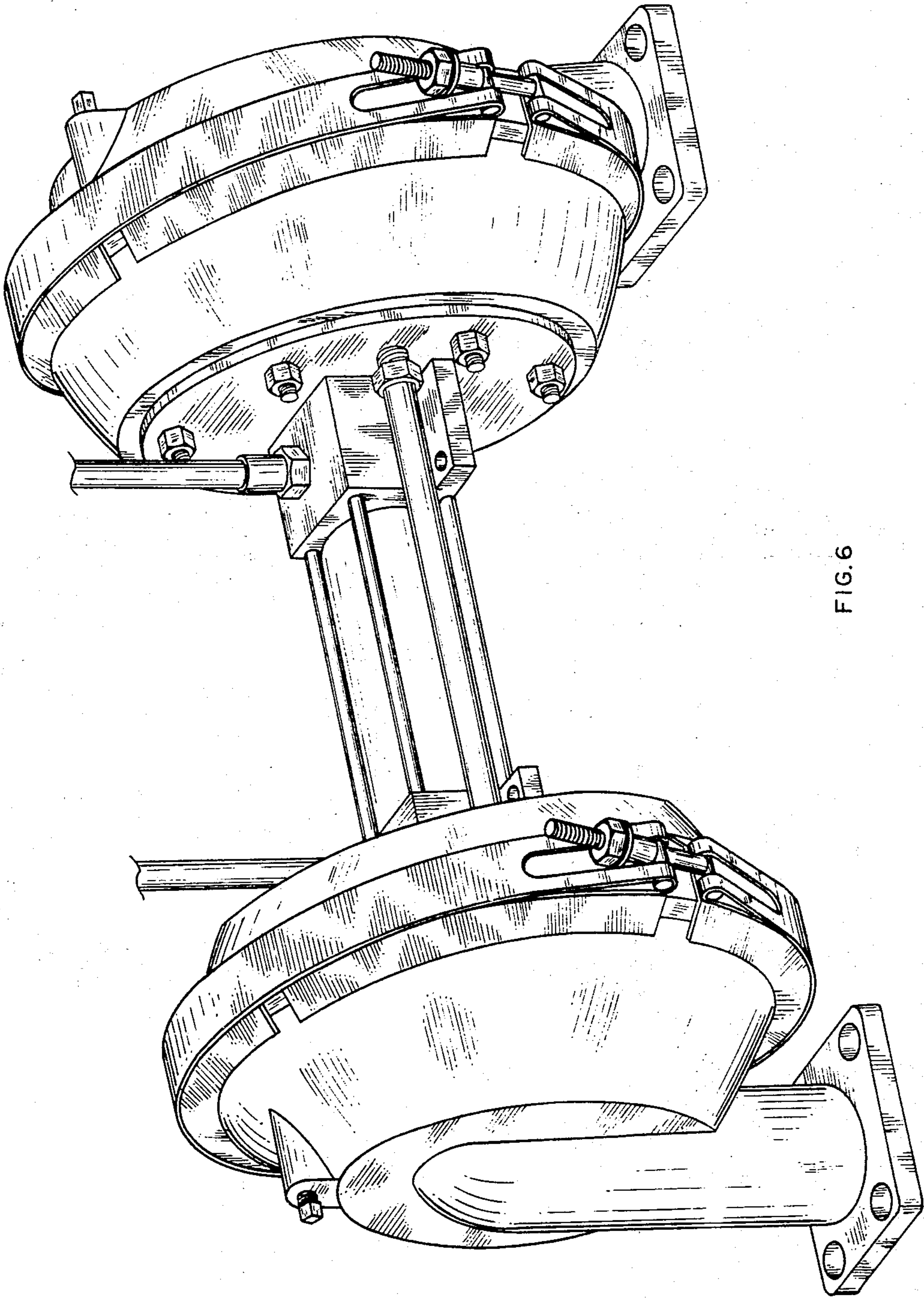


FIG. 6