

[54] **PEDESTAL FOR COMPUTER MONITORS**

[75] Inventors: **Douglas L. Johnston**, Portland; **Scott J. Peterson**, Beaverton; **John E. Bales**, Troutdale, all of Oreg.

[73] Assignee: **Comtek Industries, Inc.**, Portland, Oreg.

[**] Term: **14 Years**

[21] Appl. No.: **663,565**

[22] Filed: **Oct. 22, 1984**

[52] U.S. Cl. **D14/114**

[58] Field of Search **D14/100, 106, 113, 114, D14/77, 80, 81, 82, 84; 248/179, 178, 183, 184, 186, 371, 157, 158; D18/22, 23; 340/700, 711, 720; 358/248, 249, 254; 312/7.2; D6/449, 486**

[56] **References Cited**

U.S. PATENT DOCUMENTS

4,395,010 7/1983 Helgeland et al. 248/183 X

FOREIGN PATENT DOCUMENTS

508476 6/1955 Italy 248/158

OTHER PUBLICATIONS

Computer Design, 4-1981, p. 262, Tandberg Data CRT Data Terminal (top, left).

Primary Examiner—Susan J. Lucas
Attorney, Agent, or Firm—Chernoff, Vilhauer, McClung & Stenzel

[57] **CLAIM**

The ornamental design for a pedestal for computer monitors, as shown and described.

DESCRIPTION

FIG. 1 is a perspective view of a pedestal for computer monitors showing our new design;
FIG. 2 is a top plan view thereof;
FIG. 3 is a bottom plan view thereof;
FIG. 4 is a front elevational view thereof;
FIG. 5 is a rear elevational view thereof; and
FIG. 6 is a right side elevational view thereof, the left side being a mirror image thereof.

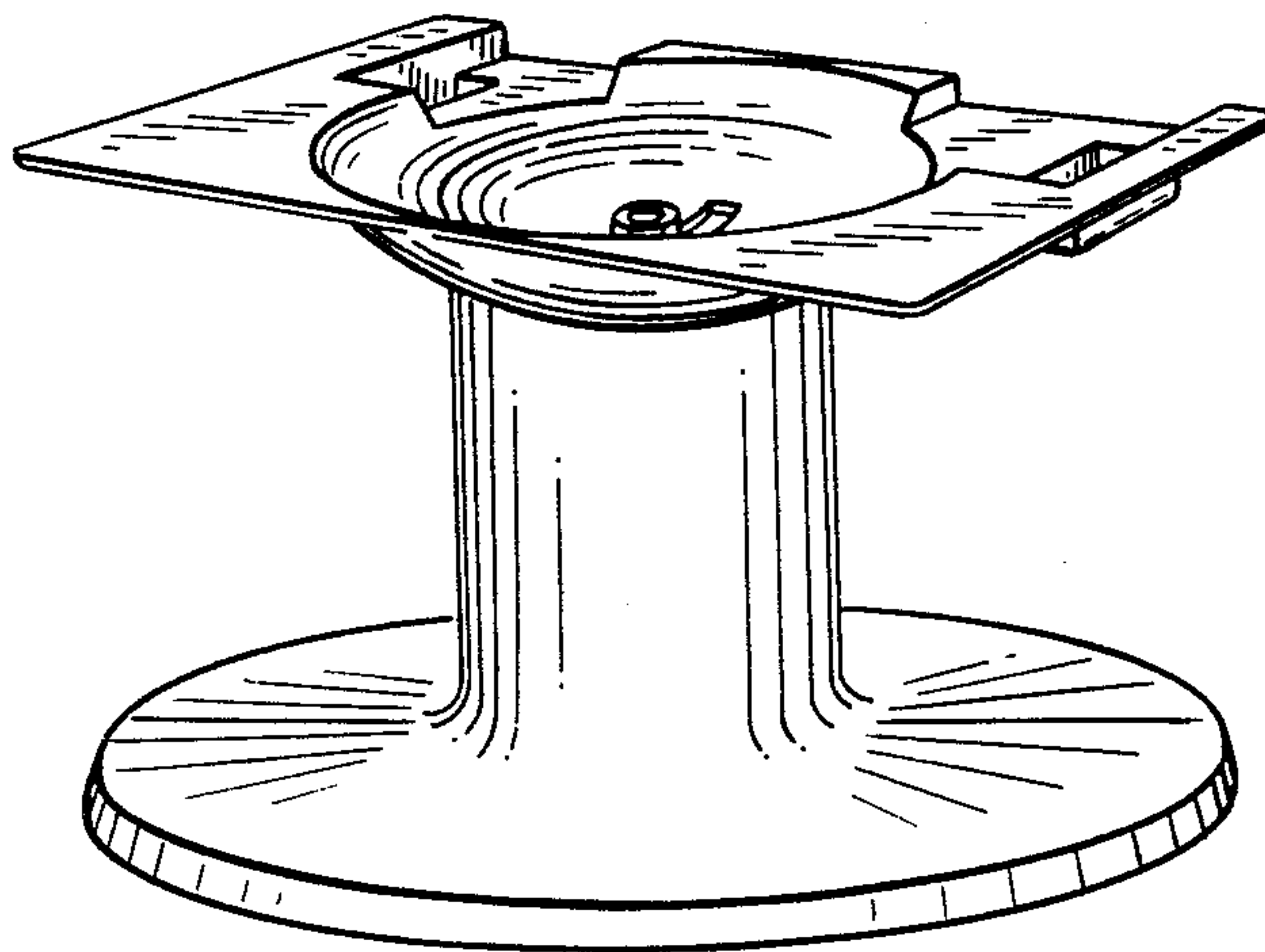


FIG. 1

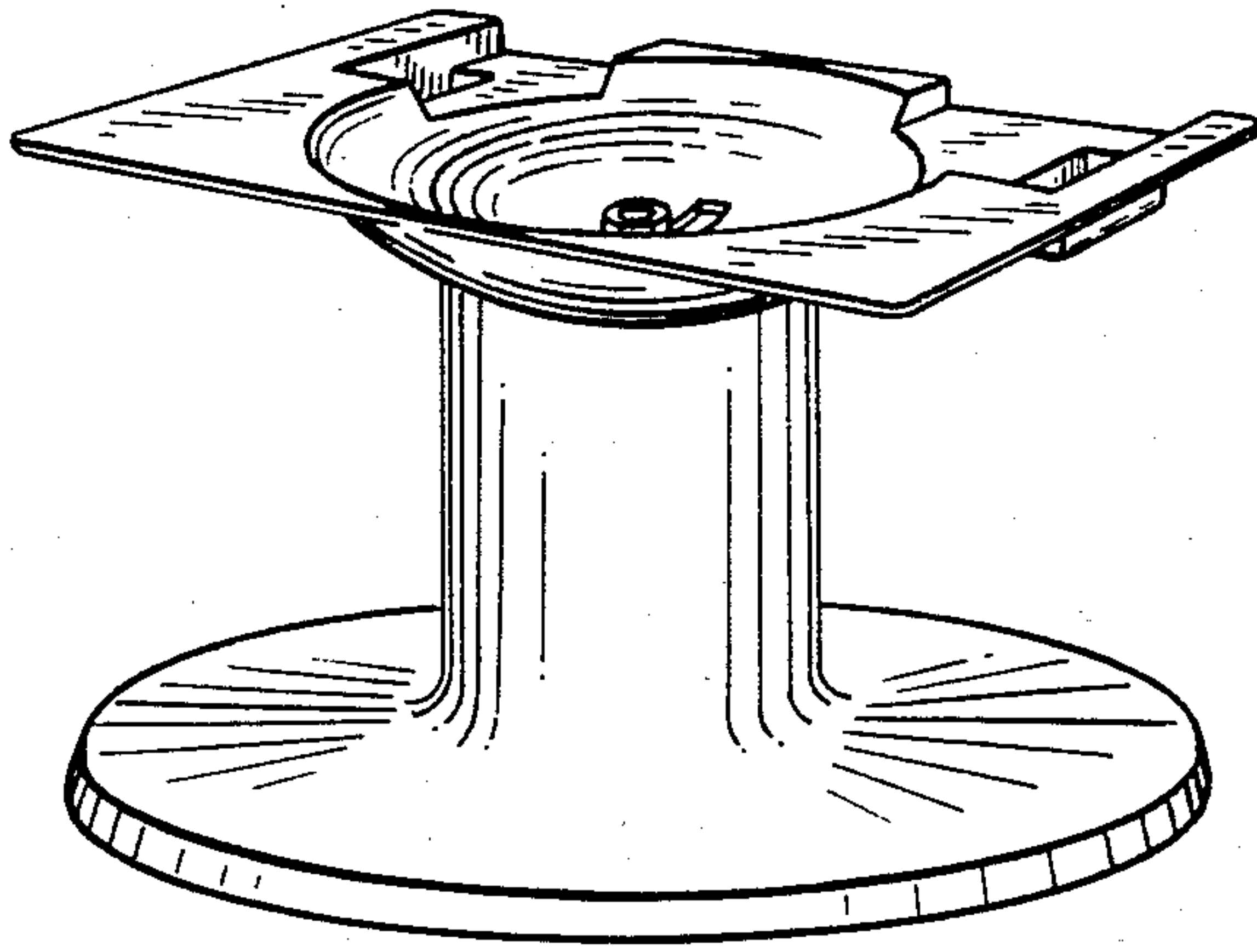


FIG. 2

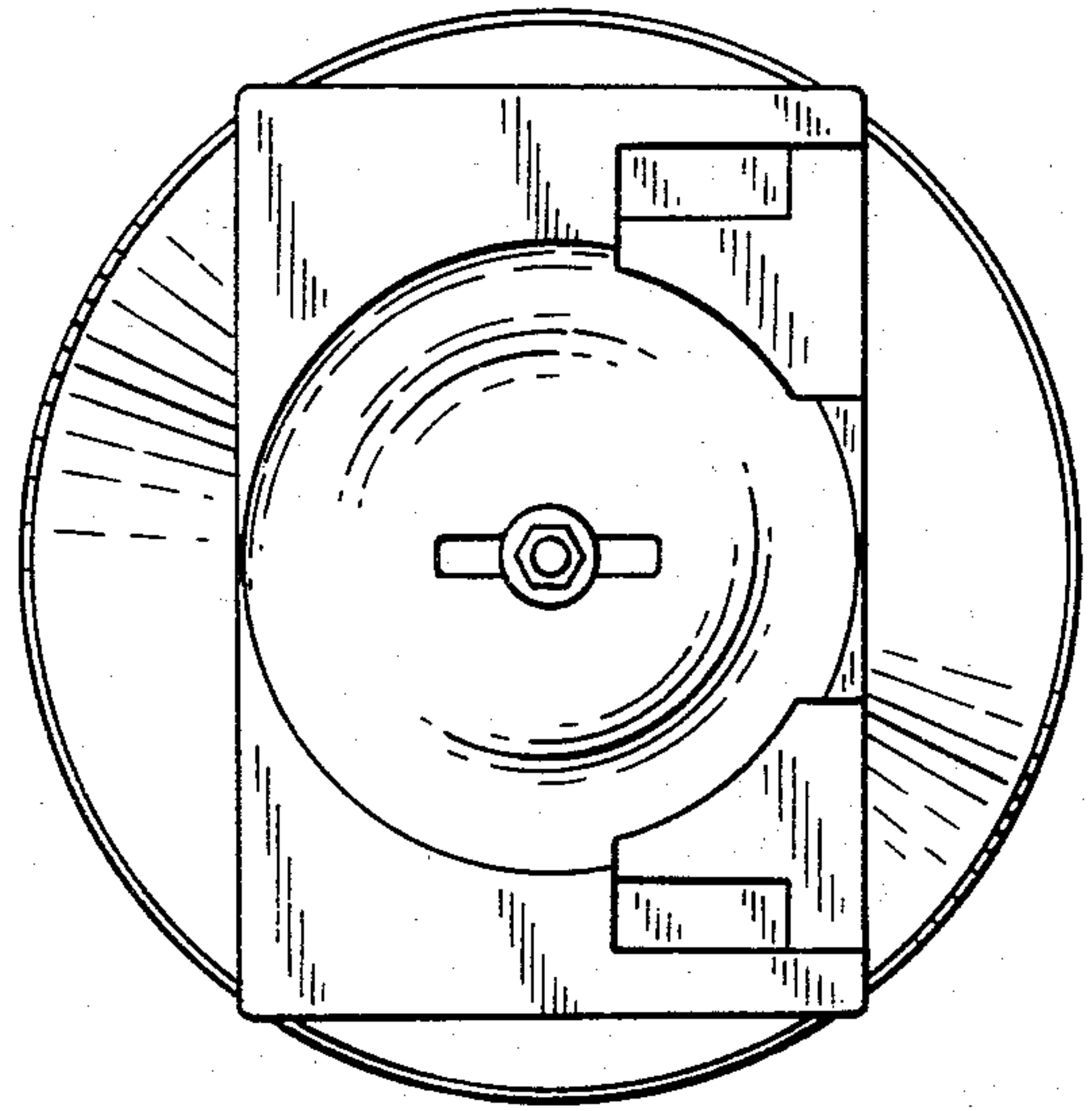


FIG. 3

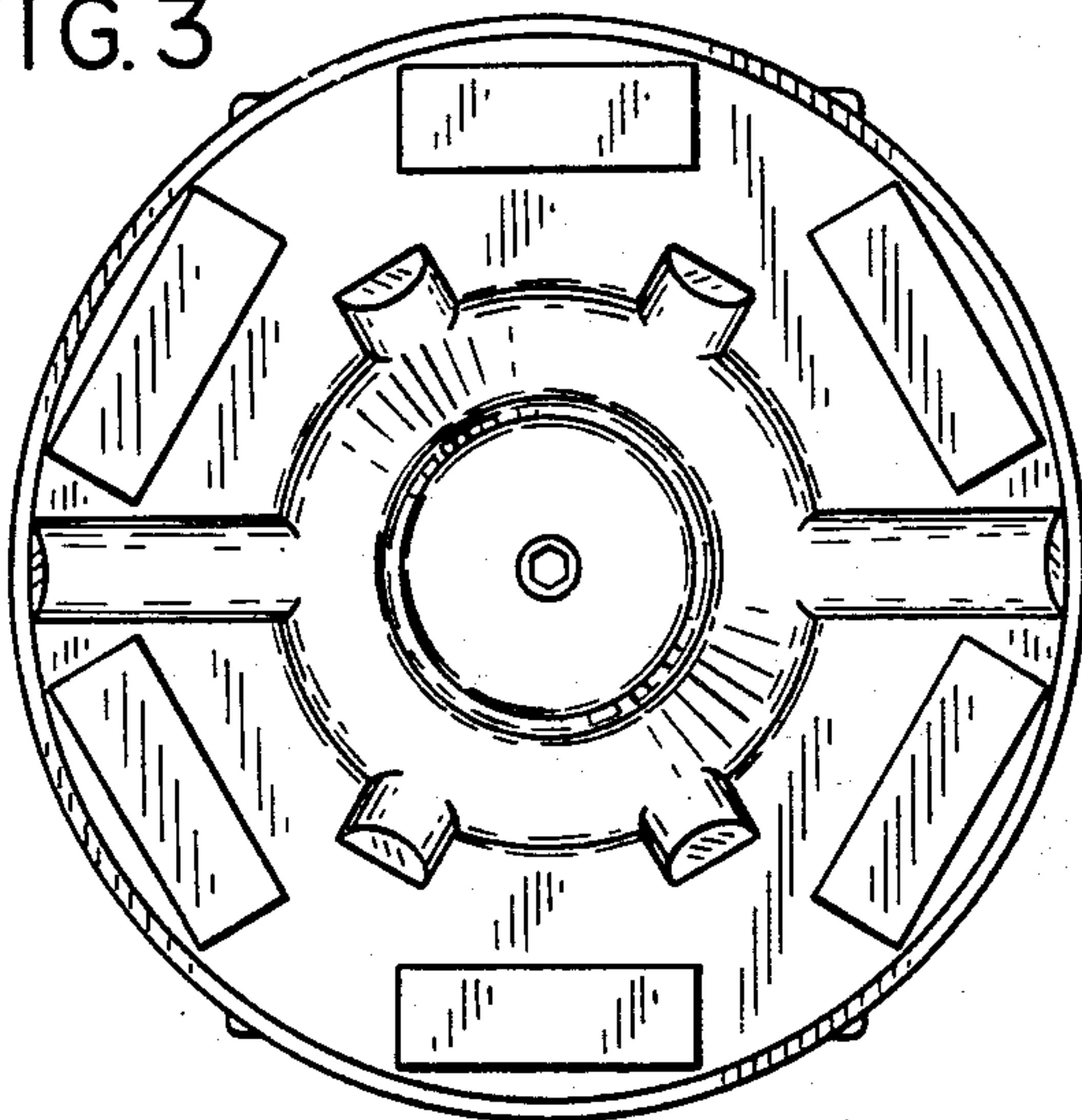


FIG. 4

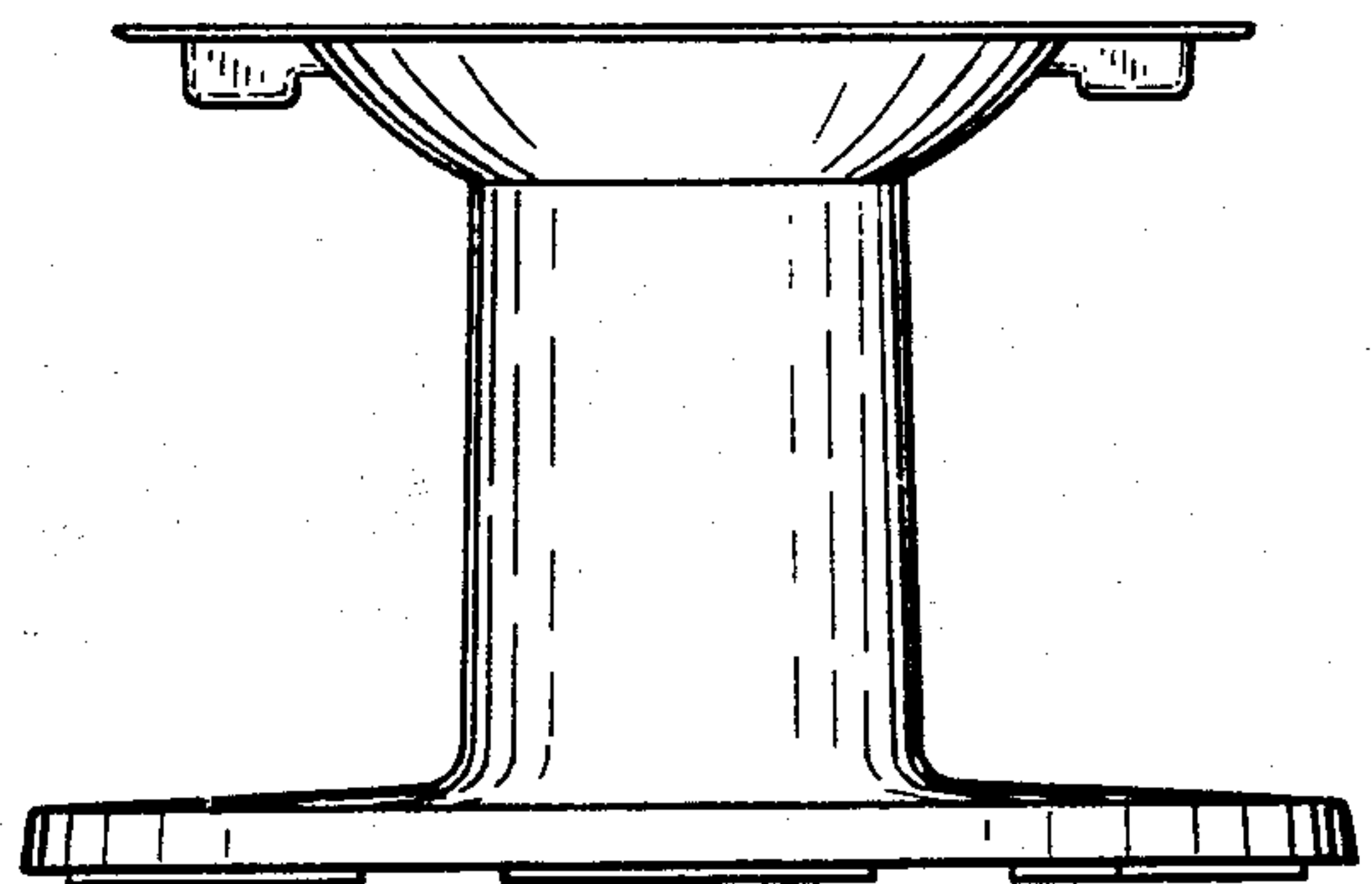


FIG. 5

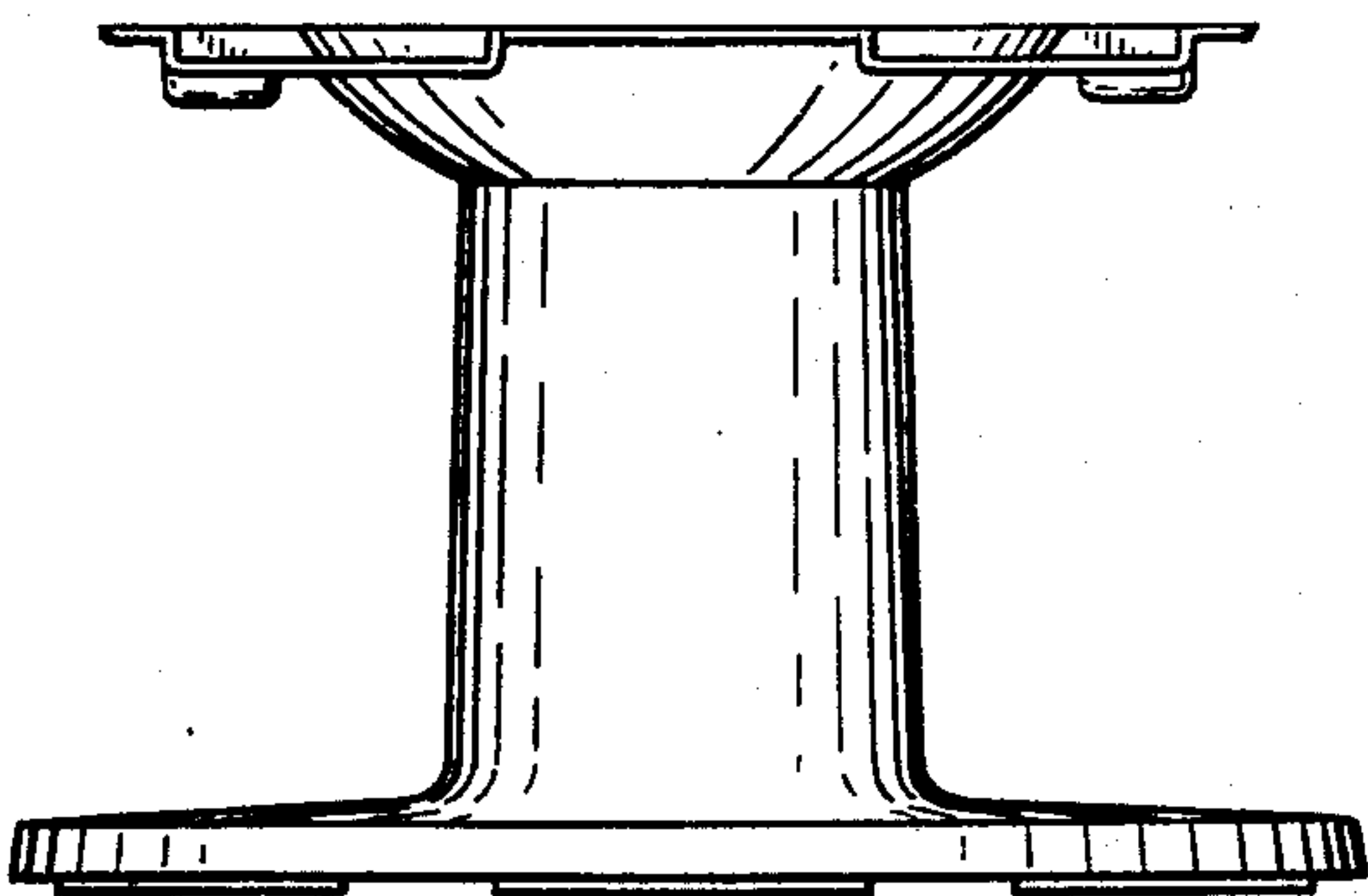


FIG. 6

