

[54] COMPUTER SECURITY BRACKET

[76] Inventors: Nelson R. Belford, 1140 Brighton St., Philadelphia, Pa. 19111; Paul Blackman, 7252 Hanford St., Philadelphia, Pa. 19149

[**] Term: 14 Years

[21] Appl. No.: 618,067

[22] Filed: Jun. 7, 1984

[52] U.S. Cl. D14/114; D8/349; D8/380

[58] Field of Search D14/107, 114; D8/349, D8/354, 356, 373, 380; D18/11, 12, 18, 22, 7, 1; 340/700; 248/500, 503, 551, 553, 680, 681; 70/58; 211/4

[56] References Cited

U.S. PATENT DOCUMENTS

- D. 244,748 6/1977 Canterbury D8/380
- D. 267,775 2/1983 Holcombe D8/354 X

- 3,101,230 8/1963 Bausch et al. 248/500 X
- 3,410,122 11/1968 Moses 248/553 X
- 3,965,705 6/1976 Nadler 70/58
- 4,079,604 3/1978 Anderegg 70/58
- 4,453,692 6/1984 LeDoux et al. 70/58 X
- 4,471,409 9/1984 Dittrich D14/114 X

Primary Examiner—Susan J. Lucas
Attorney, Agent, or Firm—Robert K. Youtie

[57] CLAIM

The ornamental design for a computer security bracket, as shown and described.

DESCRIPTION

FIG. 1 is a top perspective view of a computer security bracket showing our new design, the computer being shown in broken lines for illustrative purposes only; FIG. 2 is a front elevational view thereof; FIG. 3 is a rear elevational view thereof; FIG. 4 is a top plan view thereof; FIG. 5 is a bottom plan view thereof; FIG. 6 is a right hand side elevational view thereof, the left side being mirror image.

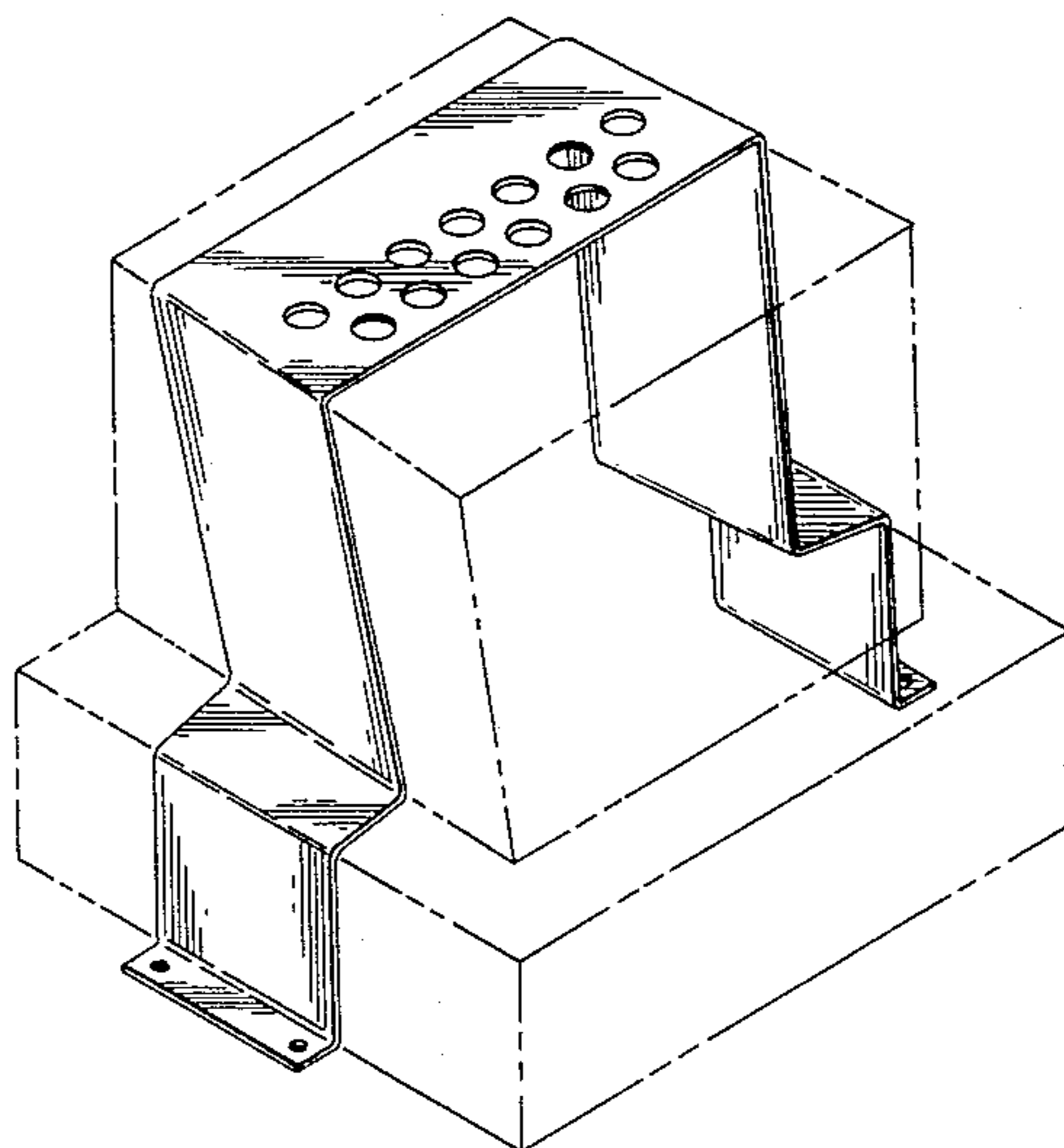


FIG. 1

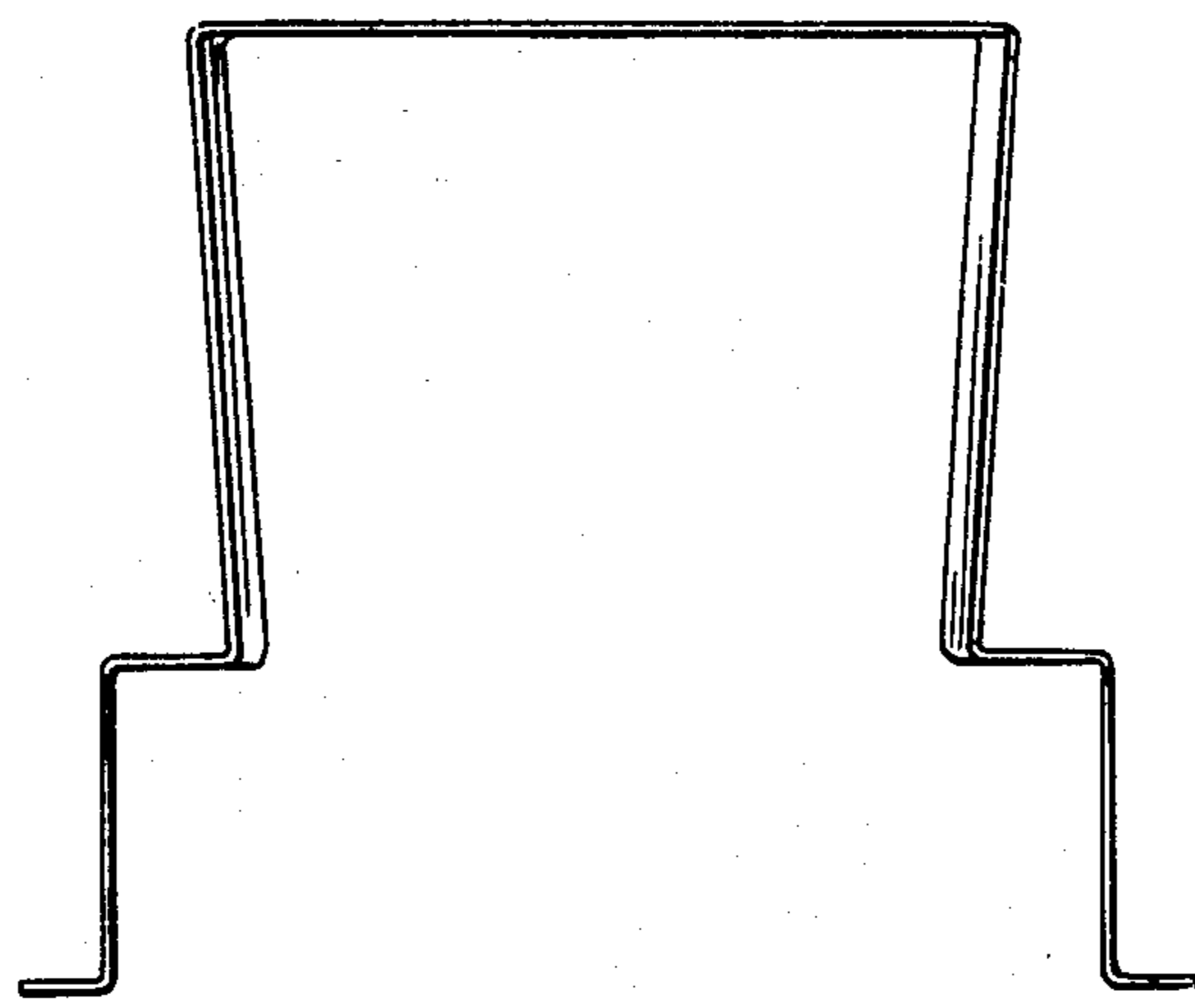
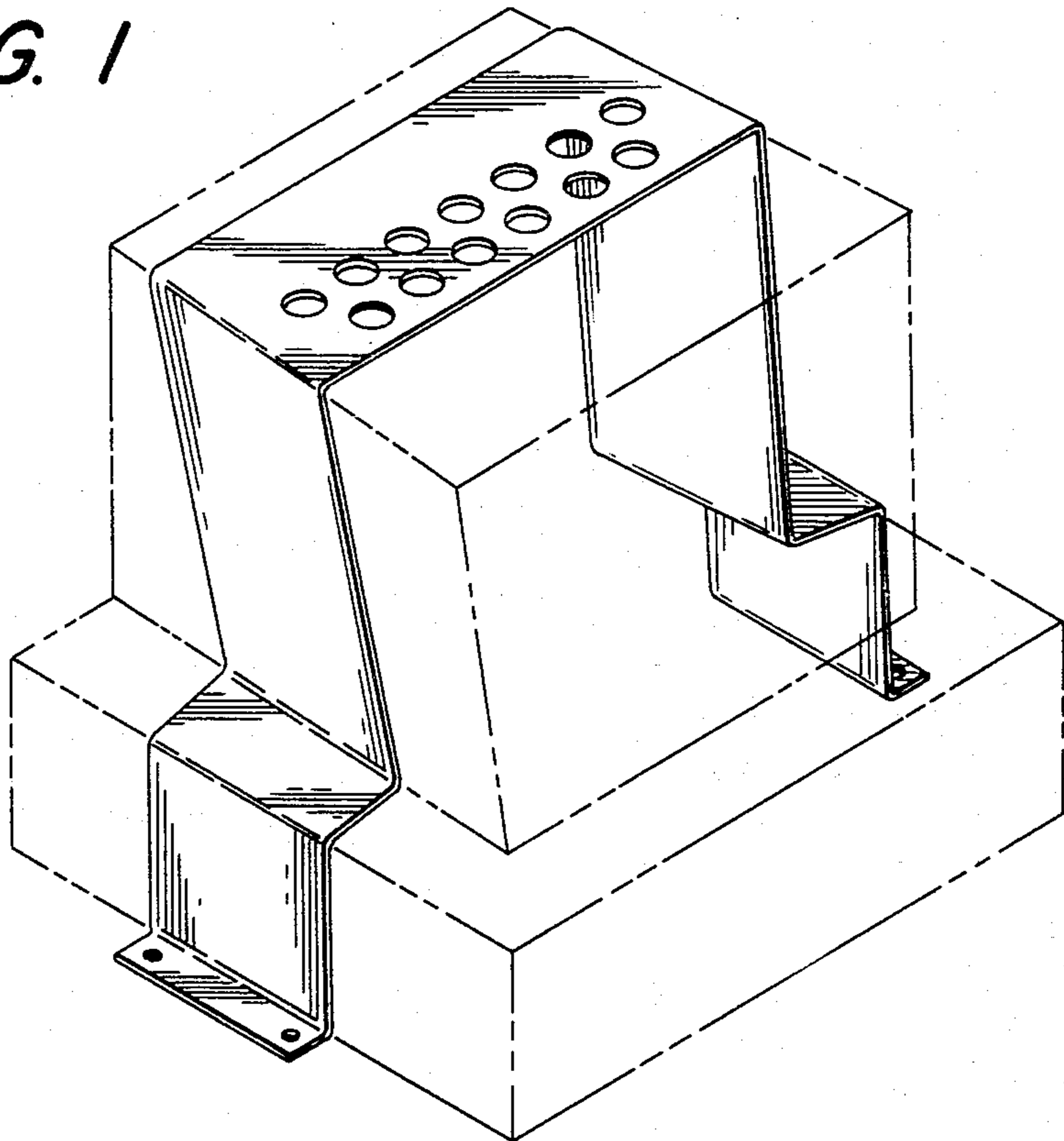


FIG. 2

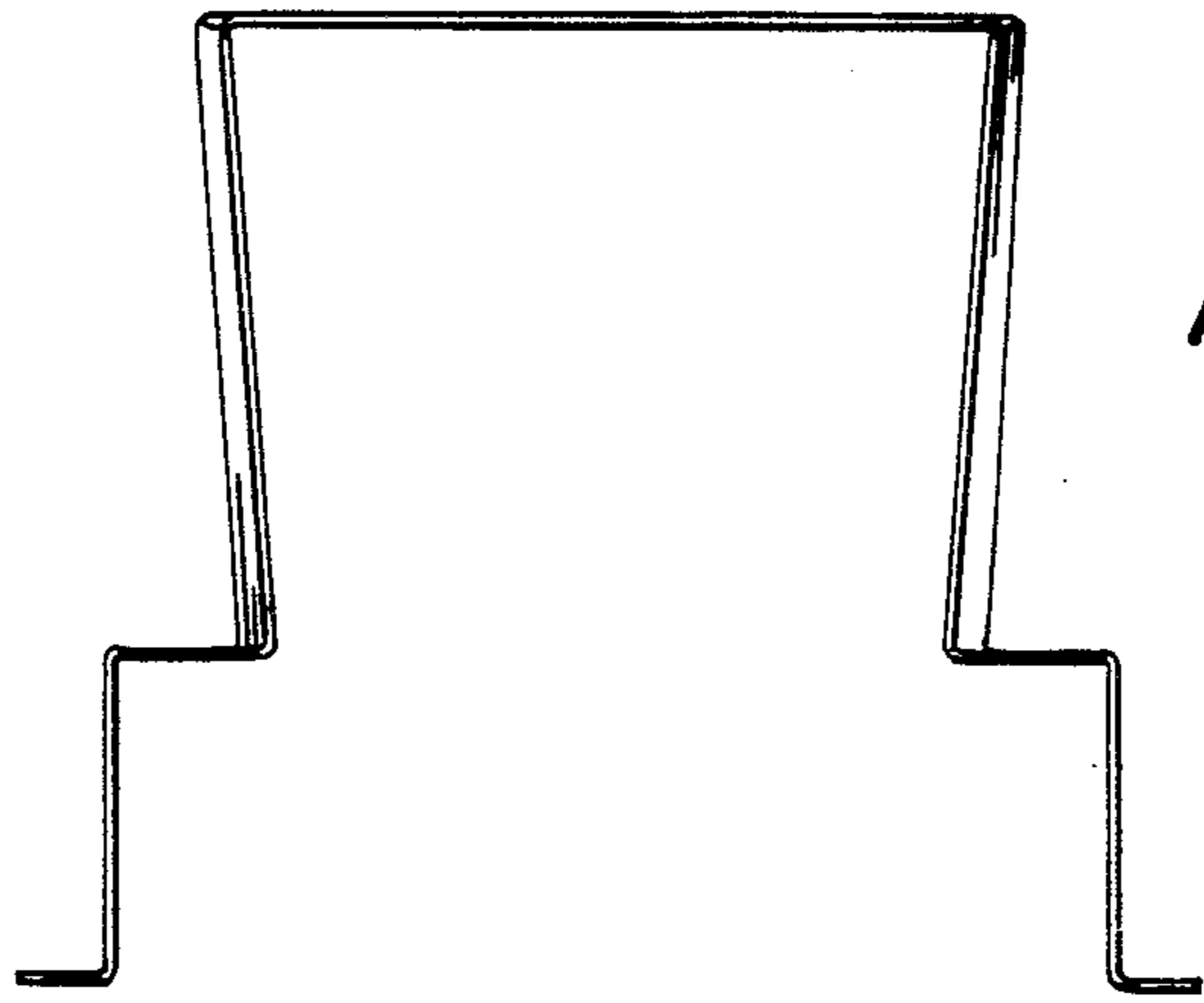


FIG. 3

FIG. 4

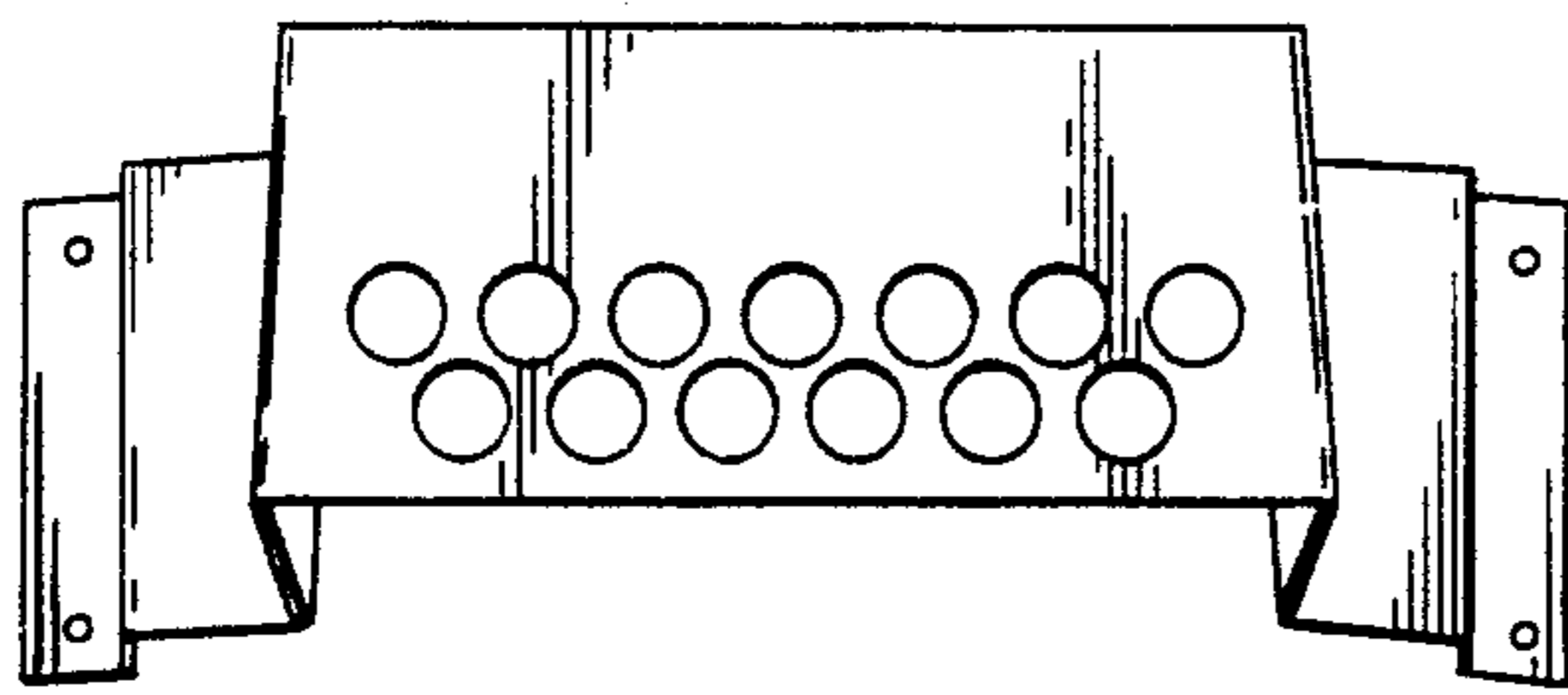


FIG. 6

FIG. 5

