

[54] ELECTRICAL CONNECTOR PLUG

[75] Inventors: Jonathan M. Wood, Lilburn, Ga.; Robert R. Gibson, Eufaula, Ala.

[73] Assignee: Techsonic Industries, Inc., Eufaula, Ala.

[**] Term: 14 Years

[21] Appl. No.: 657,152

[22] Filed: Oct. 3, 1984

[52] U.S. Cl. D13/28; D13/24

[58] Field of Search D13/11, 24-31; 339/186, 108 R, 14 R, 28, 32 R, 113 R, 196 M, 196 R, 196 A, 196 L, 107; 337/197, 198

[56] References Cited

U.S. PATENT DOCUMENTS

D. 186,600	11/1959	Schinske	D13/26
D. 222,263	10/1971	De Sio	D13/24
1,755,166	4/1930	Cannon	D13/27 X
3,046,515	7/1962	Appleton	339/14 R

3,109,690 11/1963 Stevens, Jr. 339/28
3,484,735 12/1969 Fanelli 339/14 R

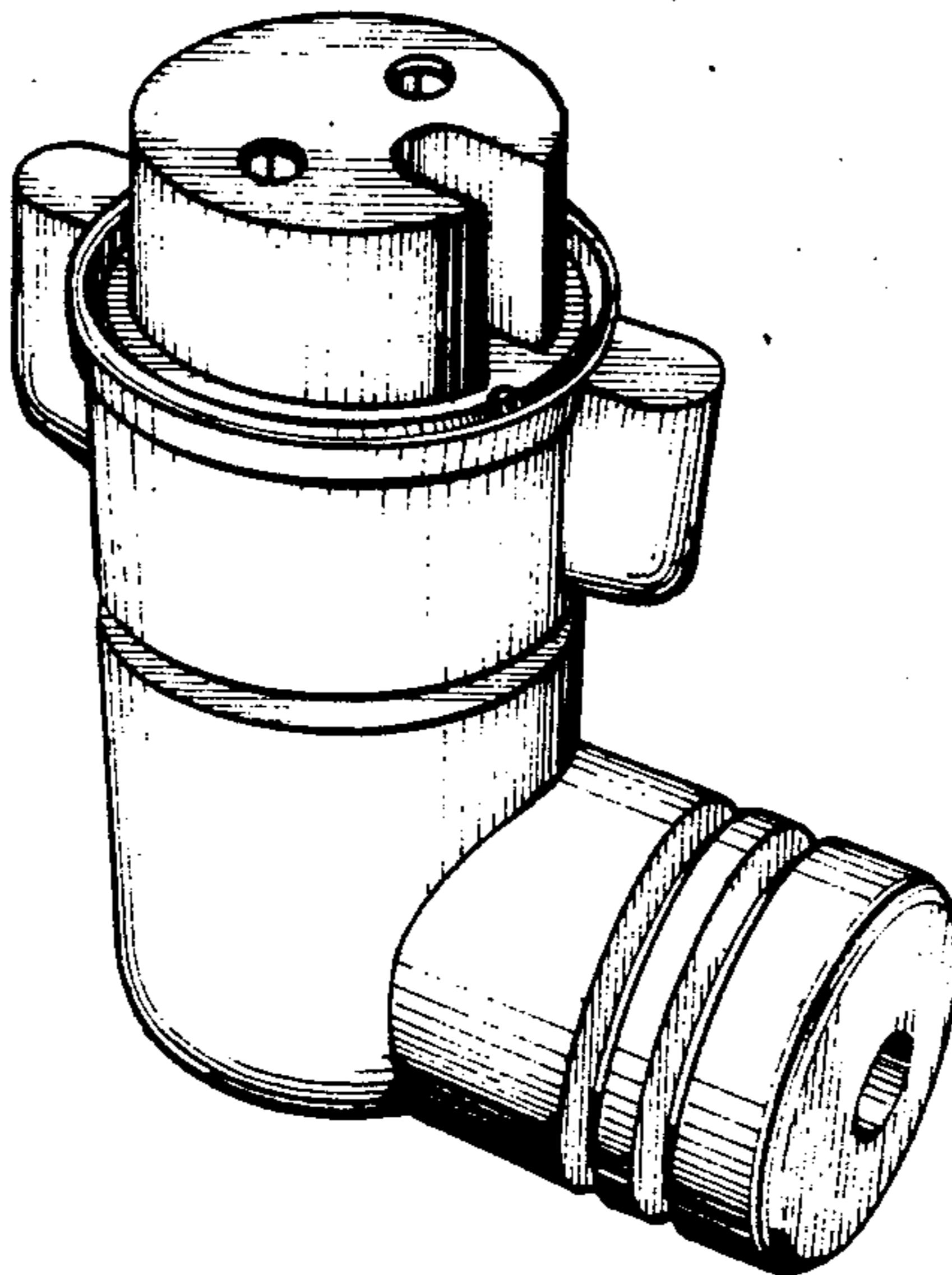
Primary Examiner—Susan J. Lucas
Assistant Examiner—C. E. Heflin
Attorney, Agent, or Firm—Jones & Askew

[57] CLAIM

The ornamental design for our electrical connector plug, substantially as shown and described.

DESCRIPTION

FIG. 1 is a perspective view of the electrical connector plug showing our new design;
FIG. 2 is a front elevation view thereof shown on a reduced scale;
FIG. 3 is a rear elevation view thereof shown on a reduced scale;
FIG. 4 is a left side elevation view thereof shown on a reduced scale, the right side being a mirror image;
FIG. 5 is a top plan view thereof shown on a reduced scale; and
FIG. 6 is a bottom plan view thereof shown on a reduced scale.



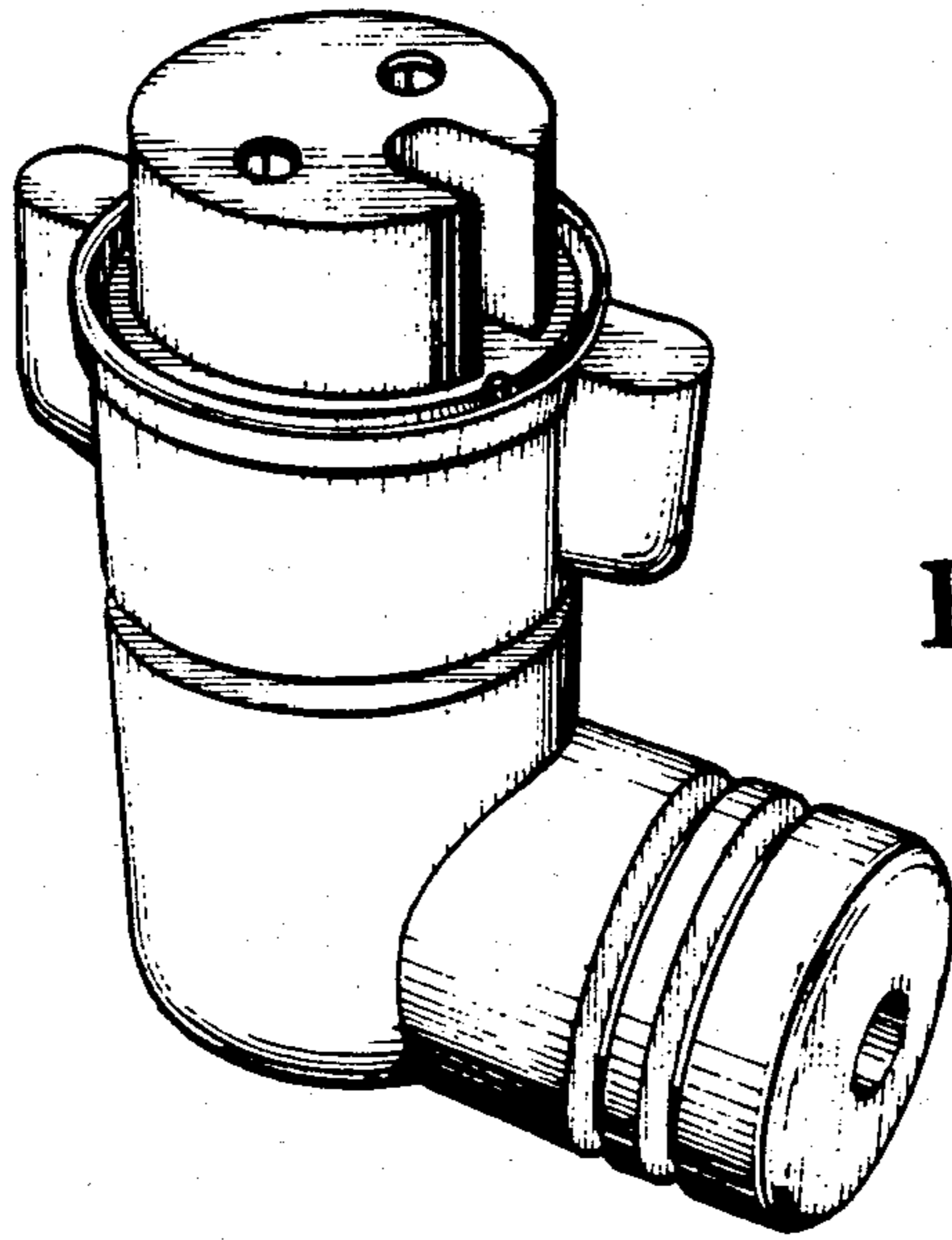


Fig 1

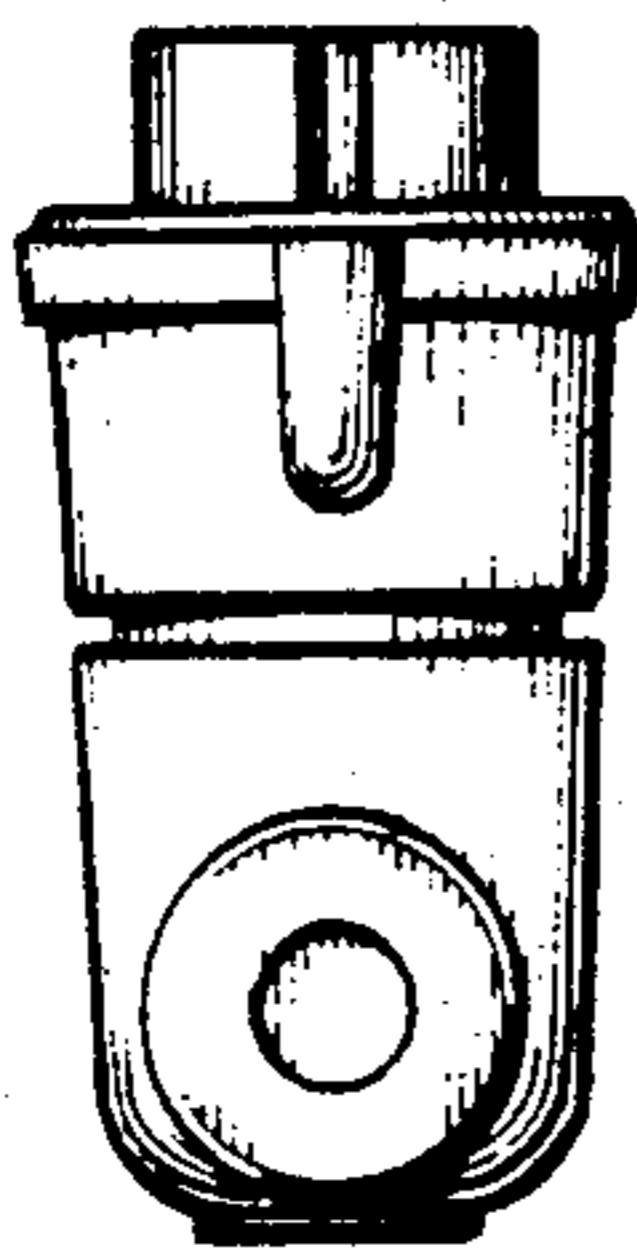


Fig. 2

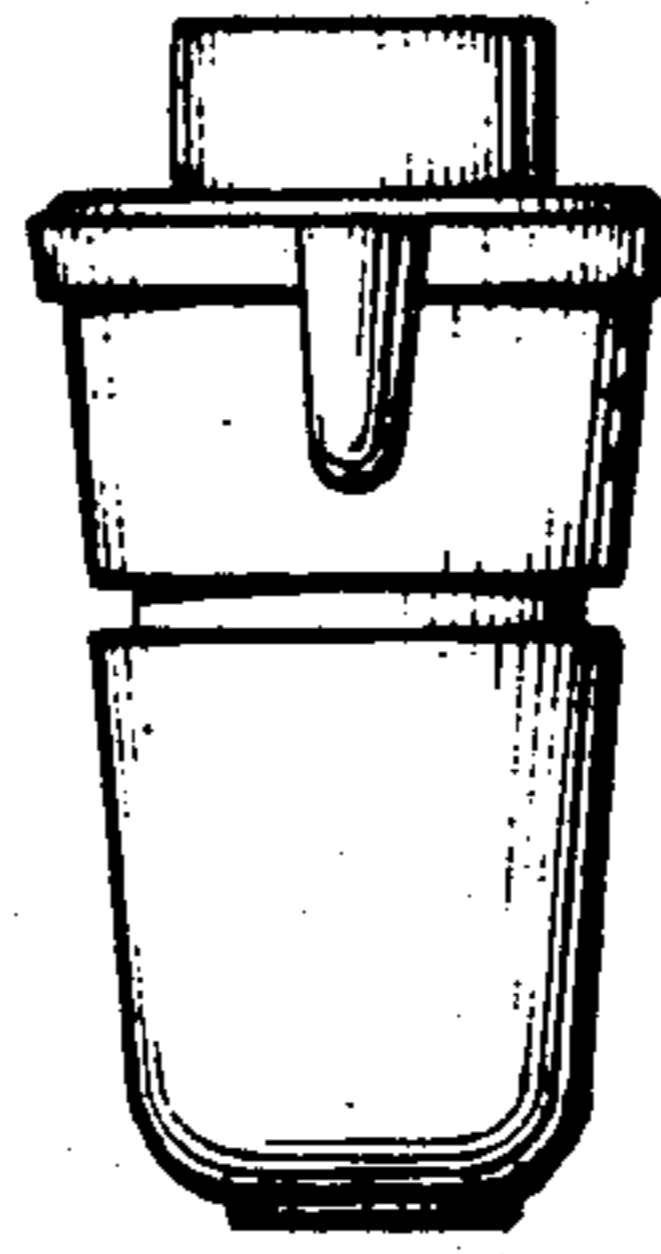


Fig. 3

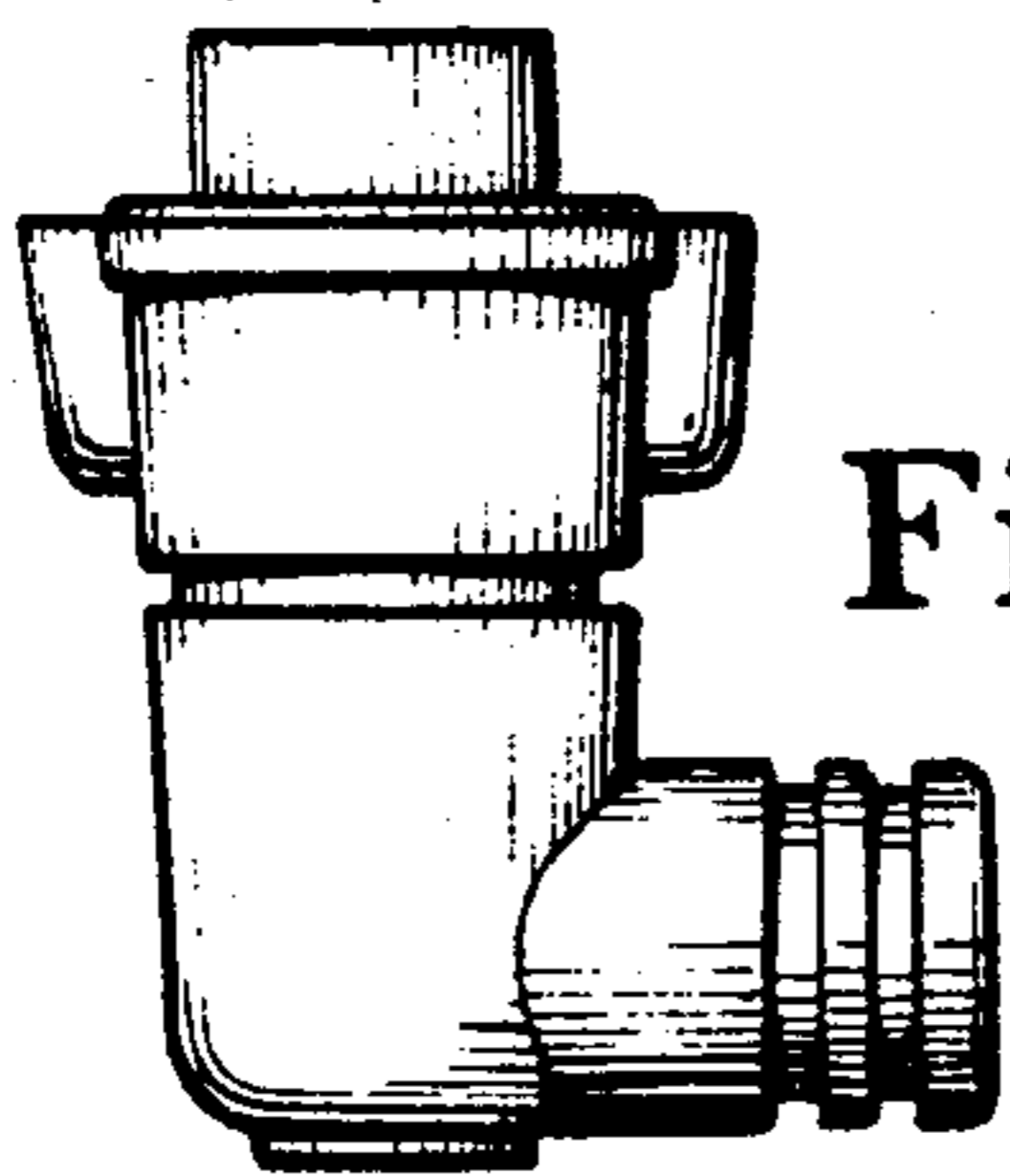


Fig. 4

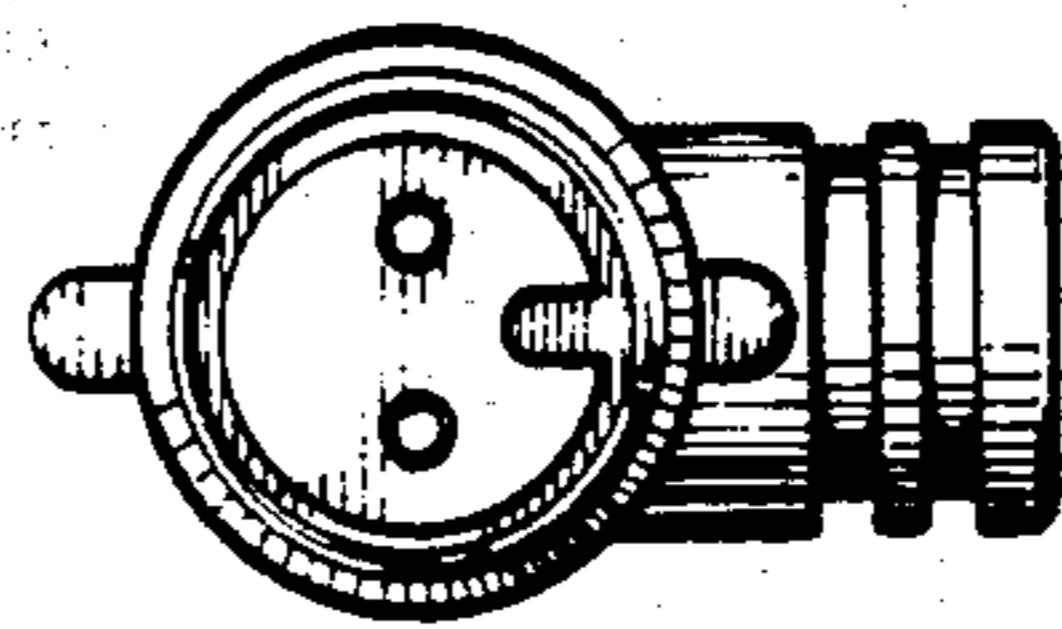


Fig. 5

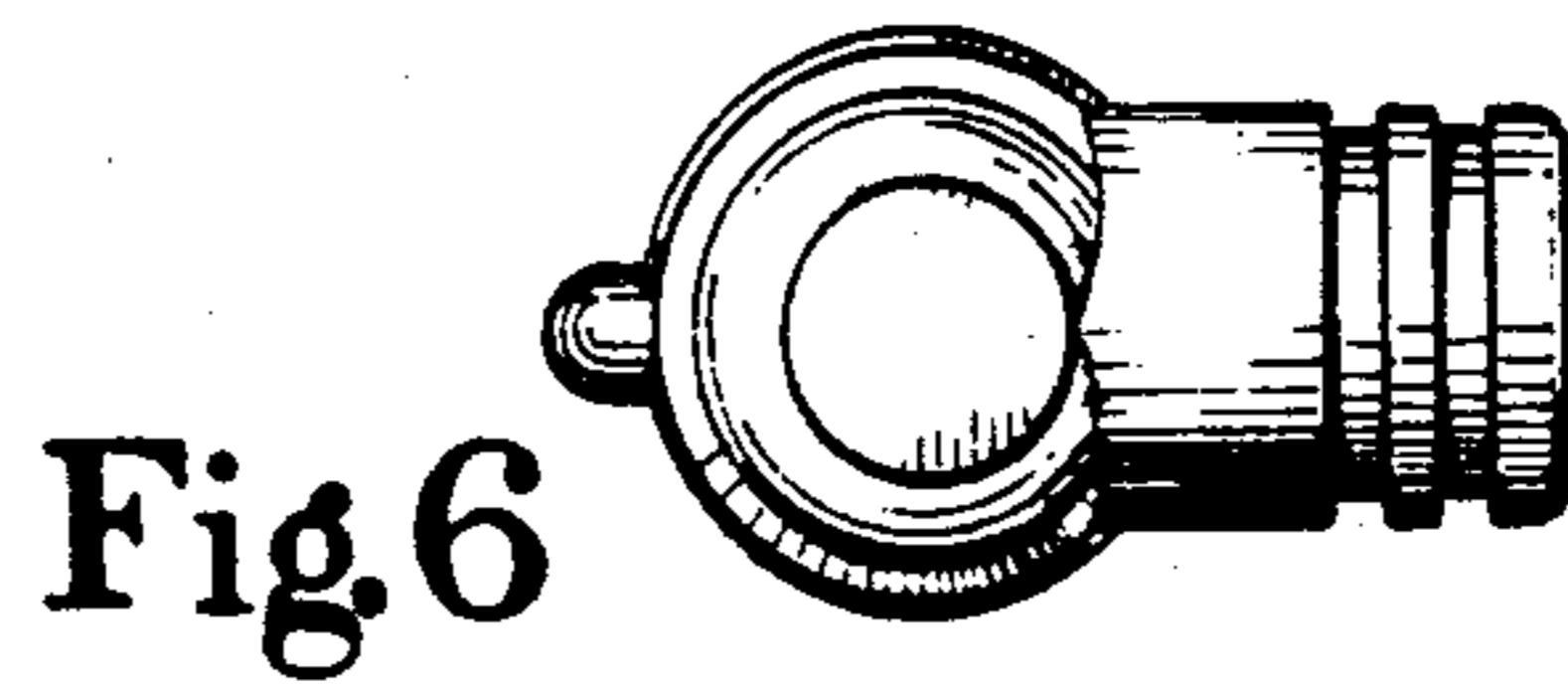


Fig. 6