

[54] WINDSHIELD VISOR FOR TRUCKS

[76] Inventor: Allan W. Lund, 2641 - 118th Ave. NW., Minneapolis, Minn. 55433

[**] Term: 14 Years

[21] Appl. No.: 528,981

[22] Filed: Sep. 2, 1983

[52] U.S. Cl. D12/191

[58] Field of Search D12/191; 296/95 R, 97 A

[56] References Cited

U.S. PATENT DOCUMENTS

D. 239,705 4/1976 Lund D12/191

D. 273,672 5/1984 Lund D12/191

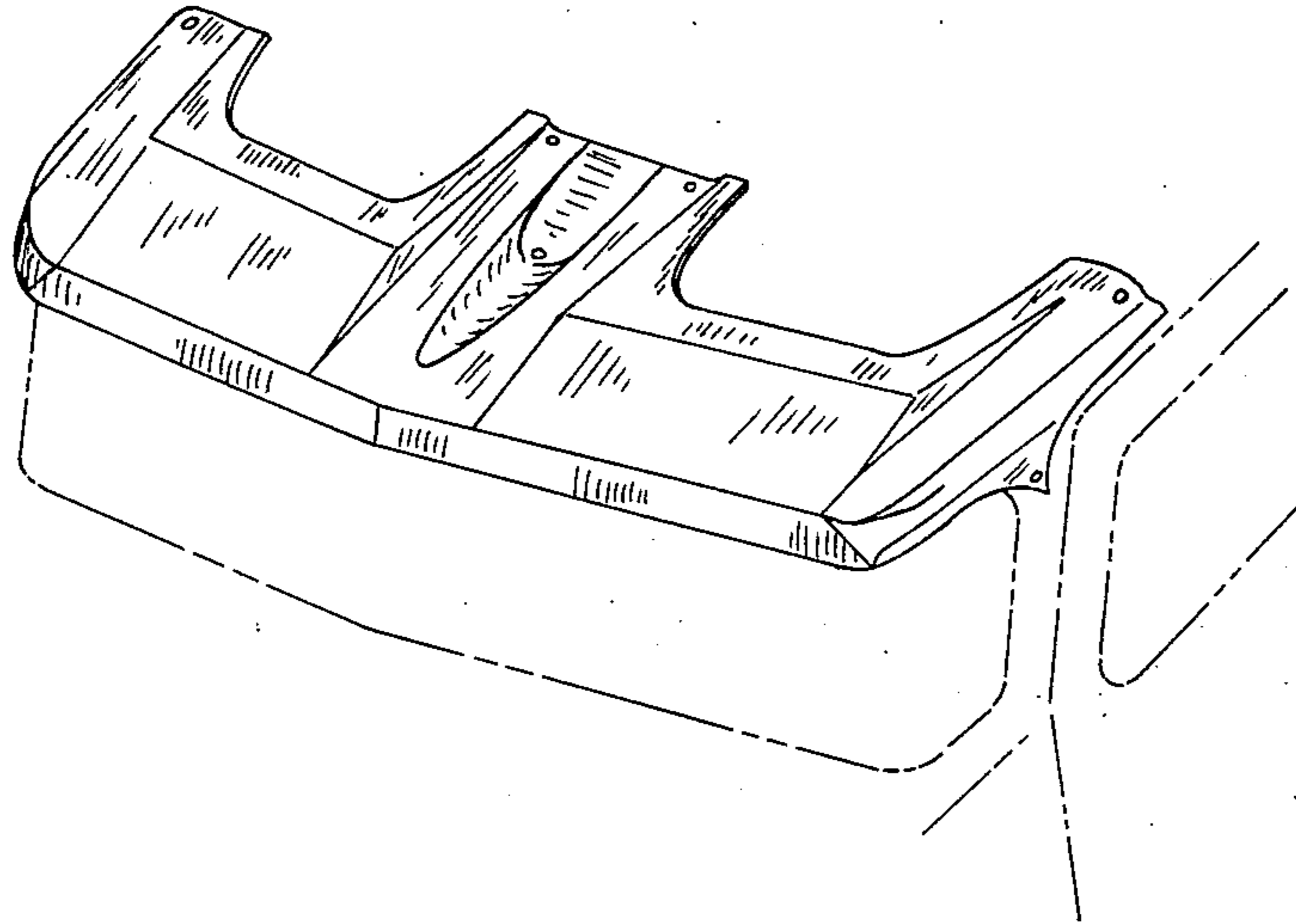
Primary Examiner—James M. Gandy
Attorney, Agent, or Firm—J. R. Cwayna

[57] CLAIM

The ornamental design for a windshield visor for trucks, as shown and described.

DESCRIPTION

FIG. 1 is a perspective view of a windshield visor for trucks showing my new design, it being understood that the broken lines are for illustrative purposes only; FIG. 2 is a top plan view thereof; FIG. 3 is a front elevation view thereof; FIG. 4 is an elevation view taken from one end thereof; FIG. 5 is an elevation view taken from the opposite end thereof; FIG. 6 is a bottom plan view thereof; FIG. 7 is a rear elevation view thereof; FIG. 8 is a vertical section view taken substantially along line 8—8 of FIG. 7; and, FIG. 9 is a vertical section view taken substantially along line 9—9 of FIG. 7.



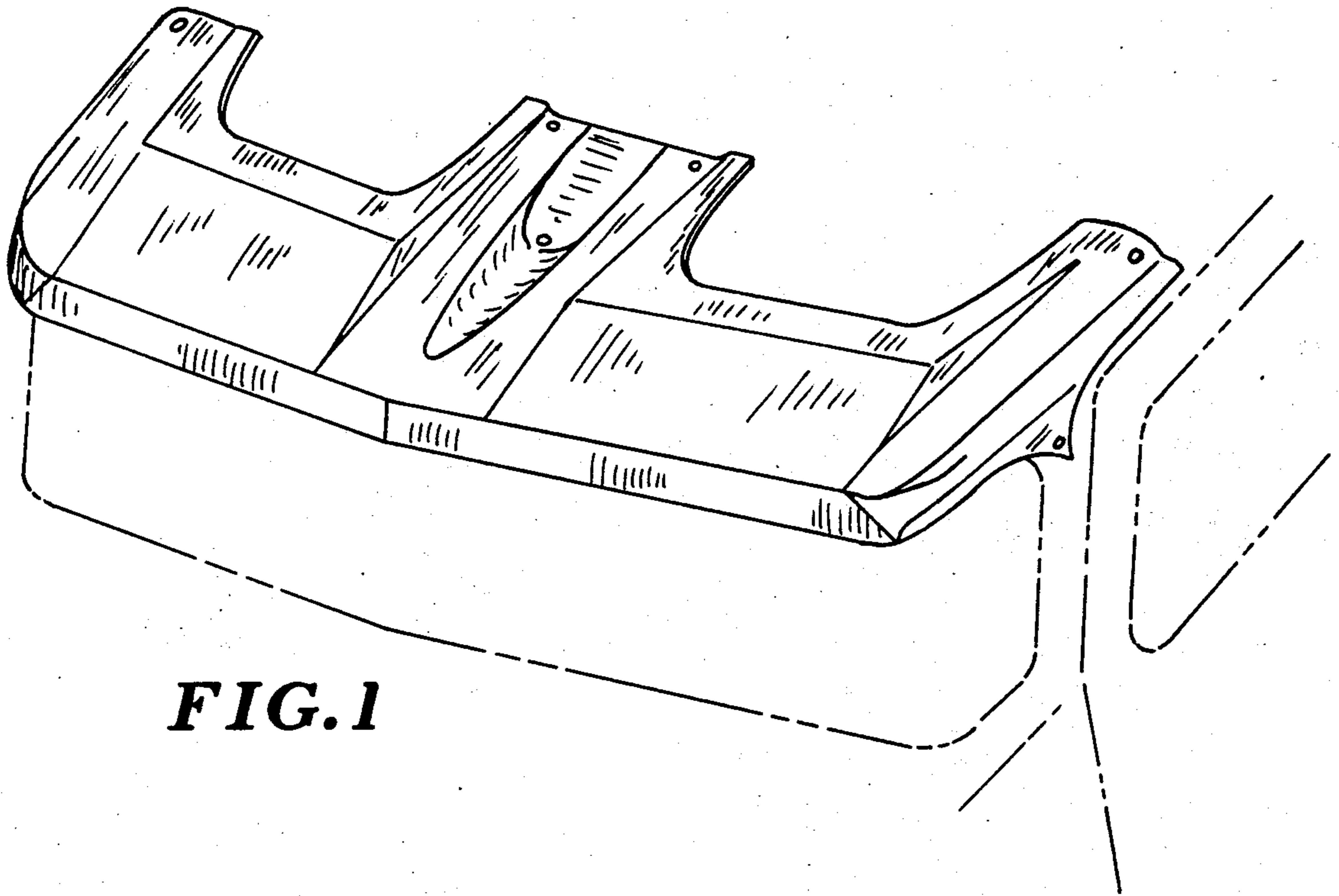


FIG. 1

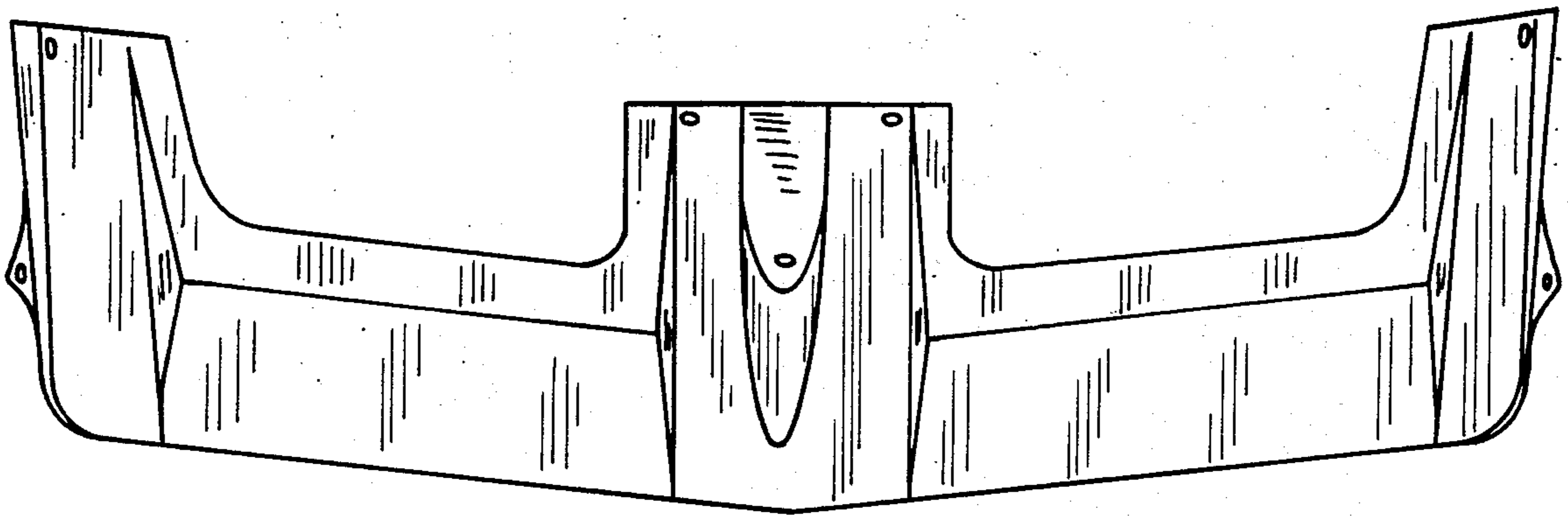


FIG. 2

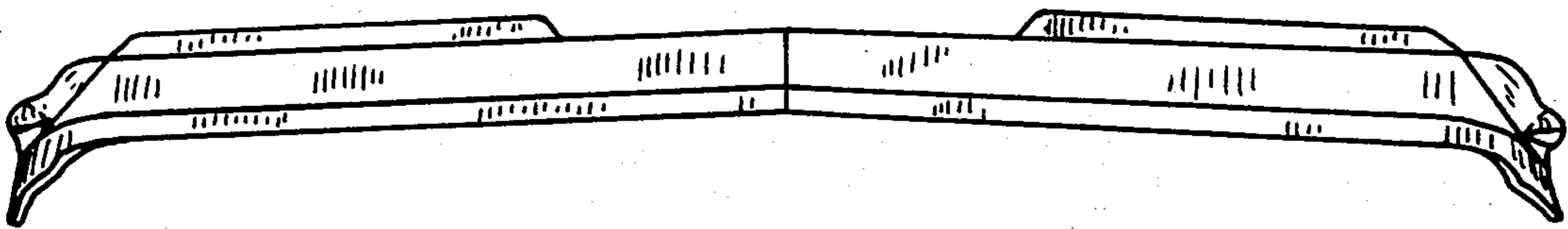


FIG. 3

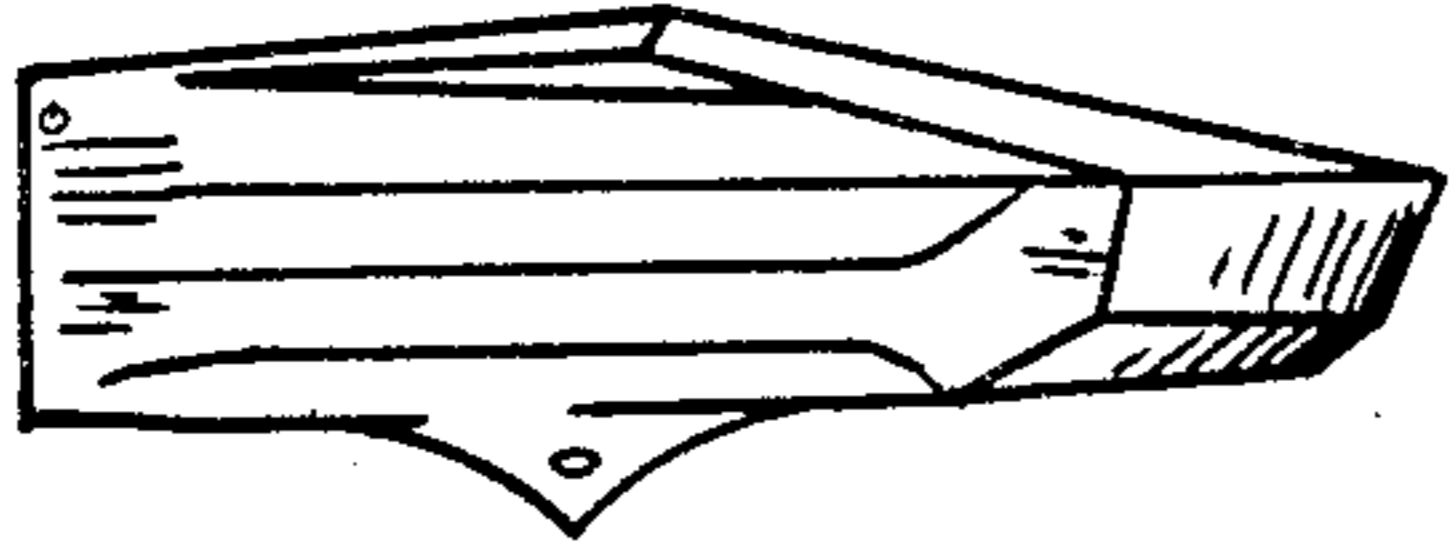


FIG. 4

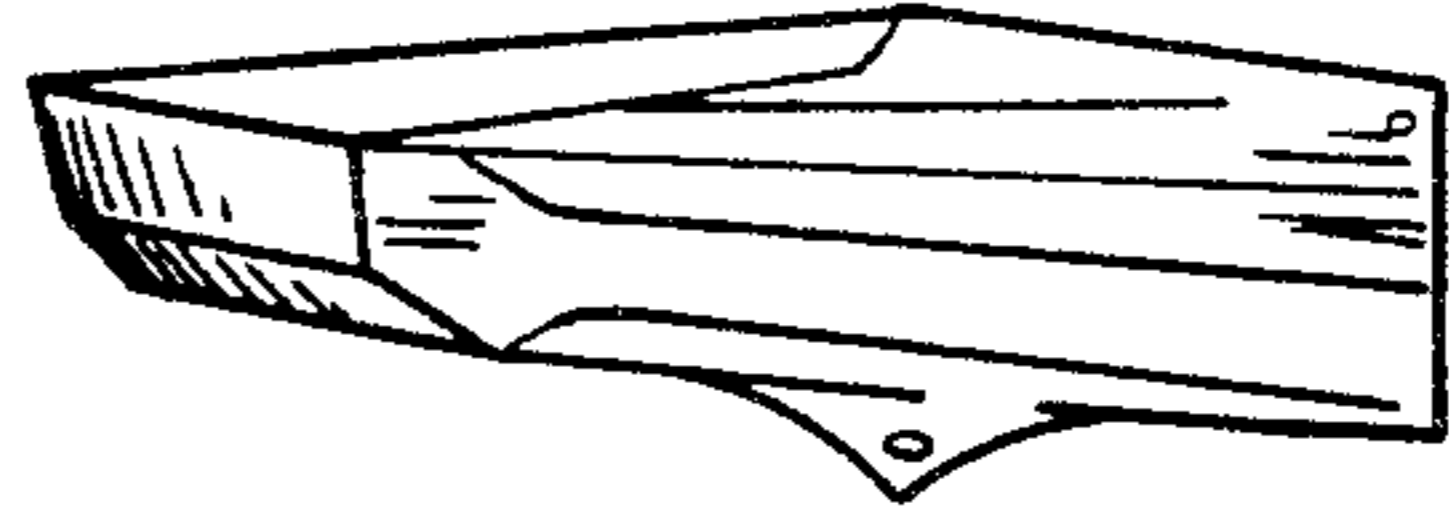


FIG. 5

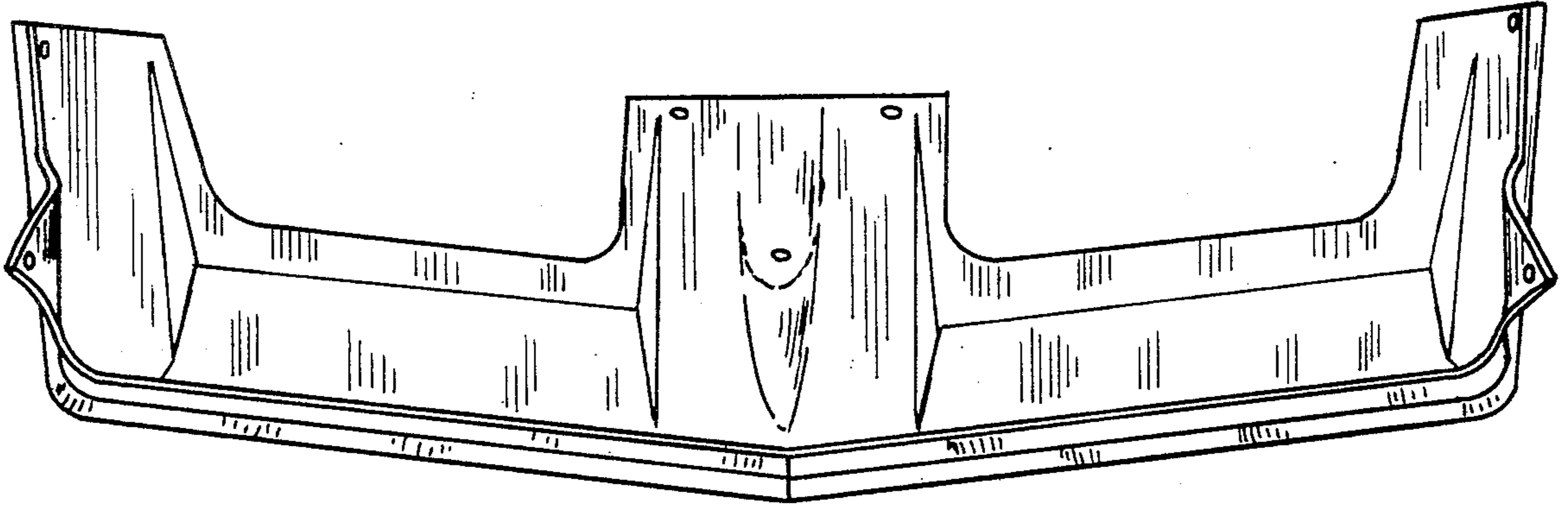


FIG. 6

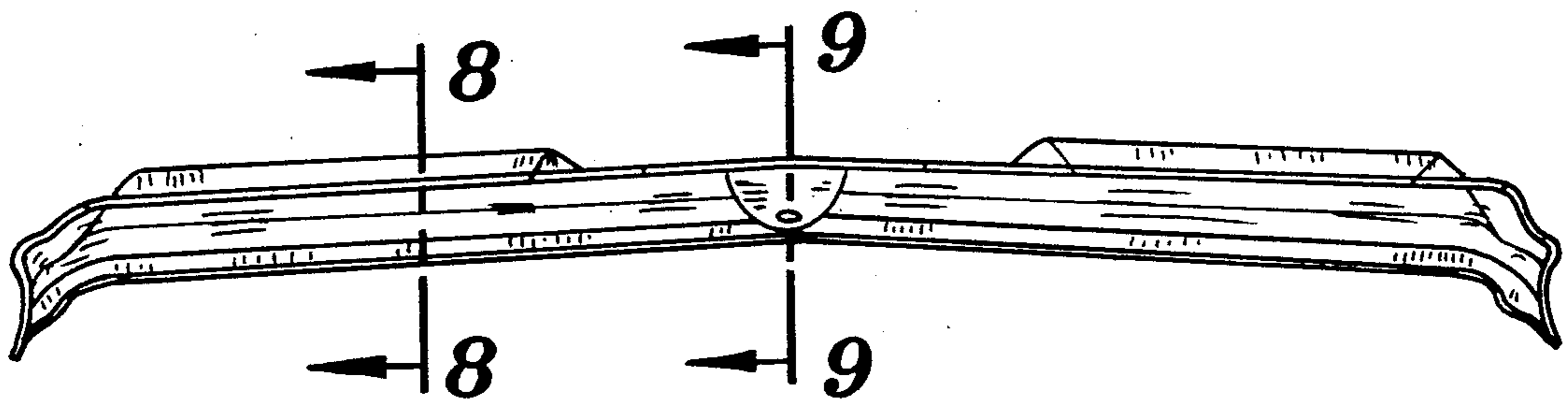


FIG. 7



FIG. 8

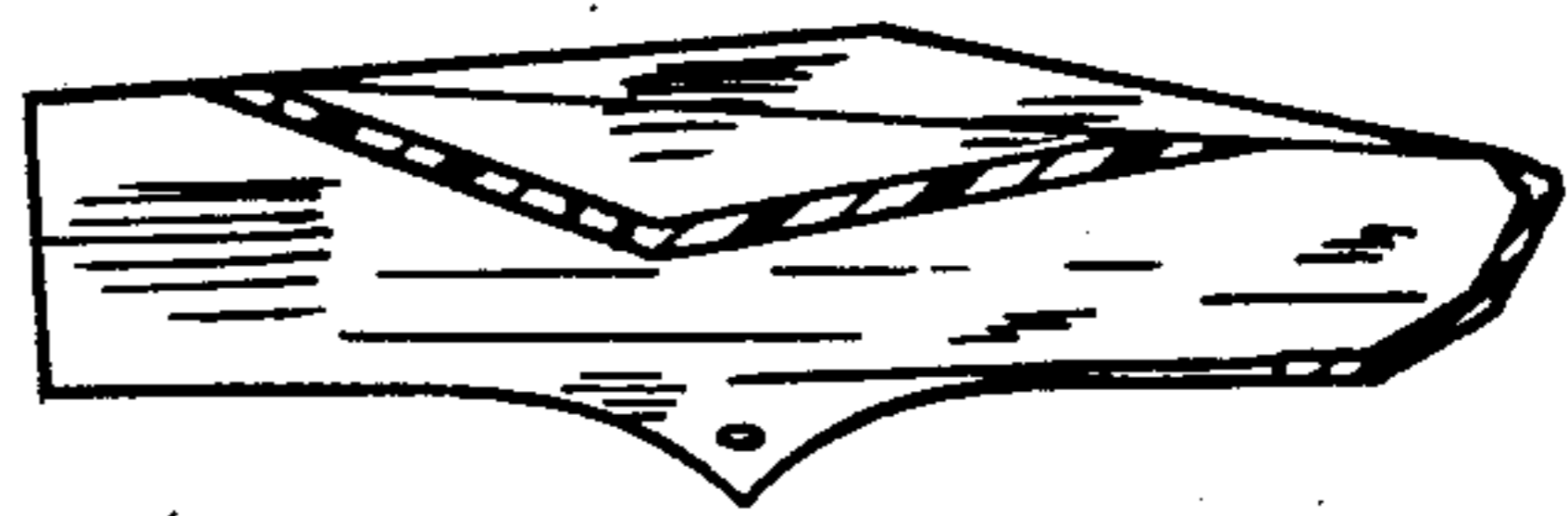


FIG. 9

Disclaimer

Des. 291,295.— *Allan W. Lund*, Minneapolis, Minn. WINDSHIELD VISOR FOR TRUCKS. Patent dated August 11, 1987. Disclaimer filed Jun. 8, 1989, by the assignee, Lund Industries Inc.

The term of this patent subsequent to February 17, 2001, has been disclaimed.
[*Official Gazette August 8, 1989*]