

[54] CHILD'S BICYCLE

[75] Inventors: C. L. Voytko, Johnstown; Joel C. Cunard, Bedford, both of Pa.

[73] Assignee: Hedstrom Corporation, Bedford, Pa.

[**] Term: 14 Years

[21] Appl. No.: 778,417

[22] Filed: Sep. 20, 1985

[52] U.S. Cl. D12/111

[58] Field of Search D12/111; D21/81; 280/281 R, 281 B

[56] References Cited

U.S. PATENT DOCUMENTS

- D. 149,322 4/1948 Trnka D12/111
- D. 281,615 12/1985 Barbato et al. D21/81

OTHER PUBLICATIONS

1974 Rollfast Bicycles Catalog, p. 15, Model A8 Bicycle, top left side of page.

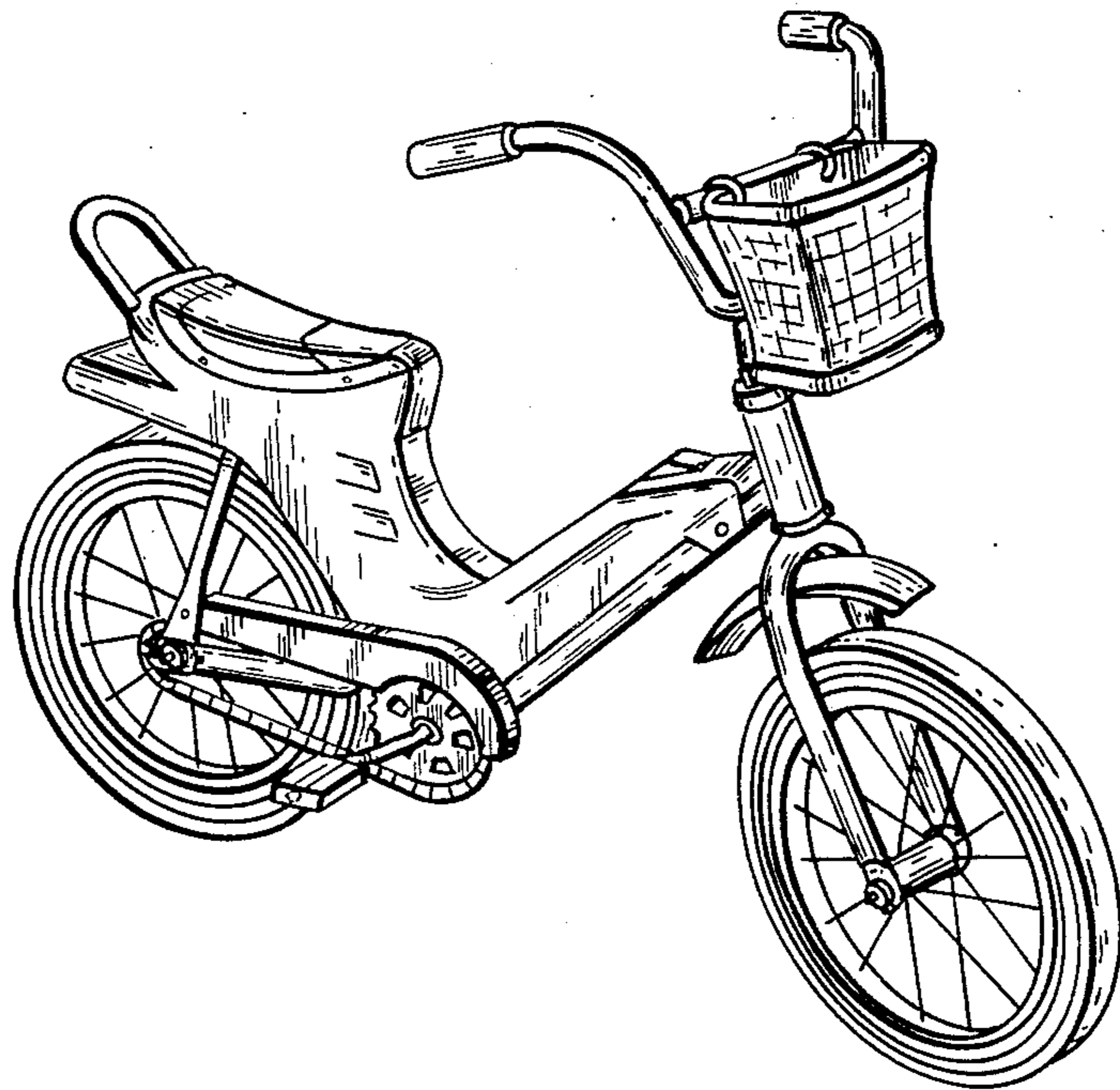
Primary Examiner—James M. Gandy
Attorney, Agent, or Firm—Cesari and McKenna

[57] CLAIM

The ornamental design for a child's bicycle, as shown.

DESCRIPTION

FIG. 1 is a right front quarter isometric view of a child's bicycle showing the new design;
 FIG. 2 is a front elevational view thereof;
 FIG. 3 is a left side elevational view thereof;
 FIG. 4 is a rear elevational view thereof;
 FIG. 5 is a top plan view thereof; and
 FIG. 6 is a bottom plan view thereof.



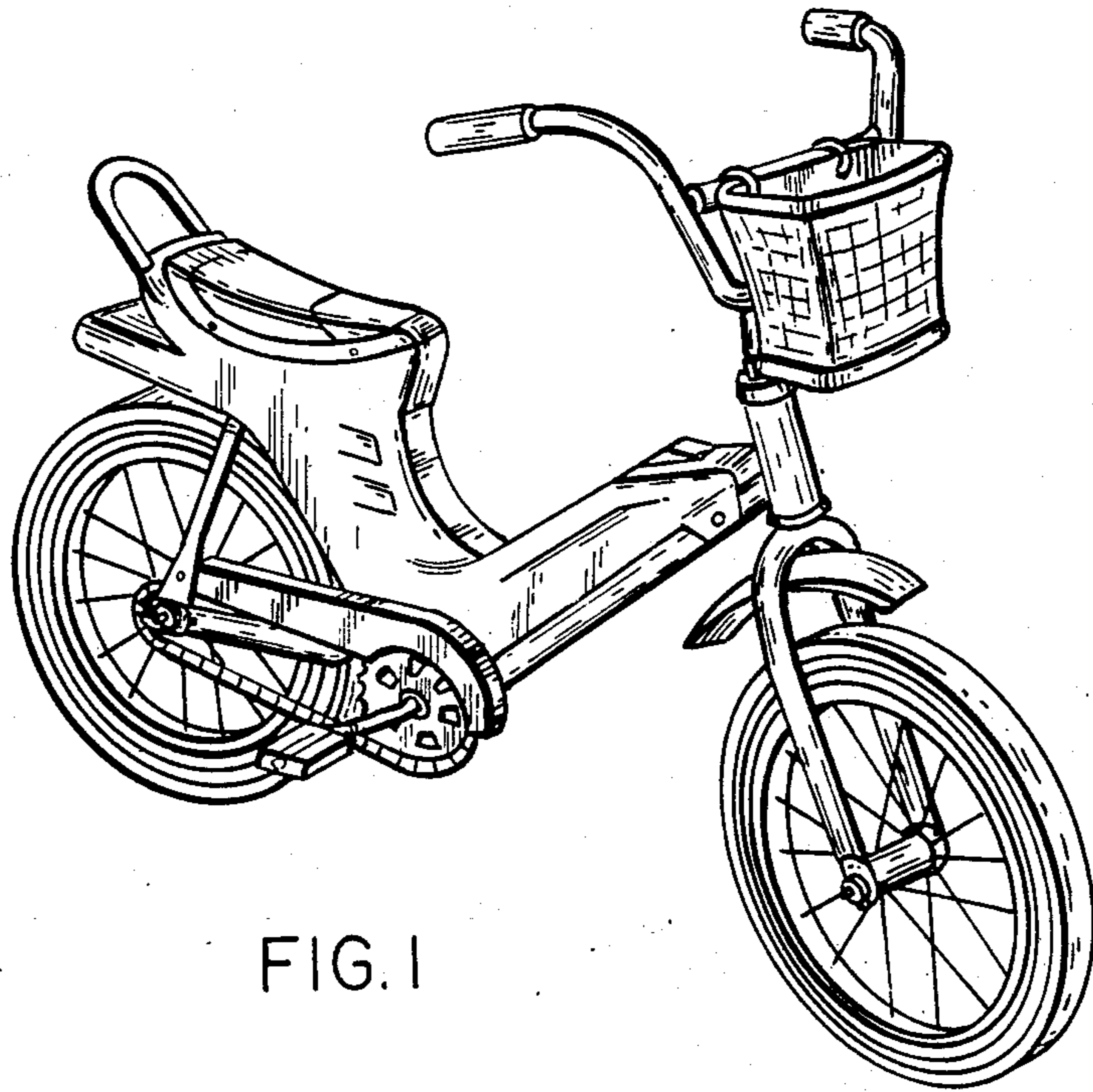


FIG. 1

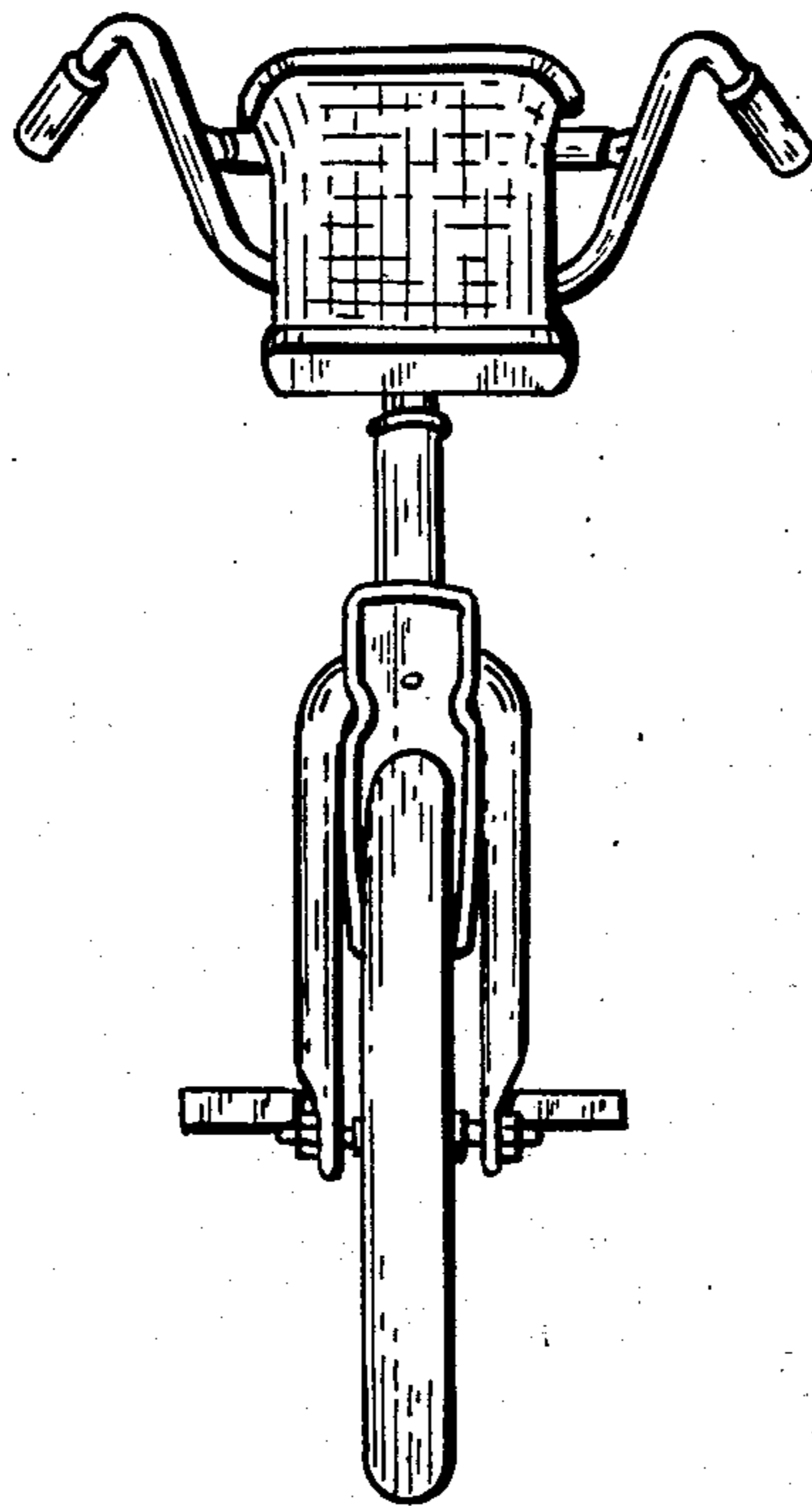


FIG. 2

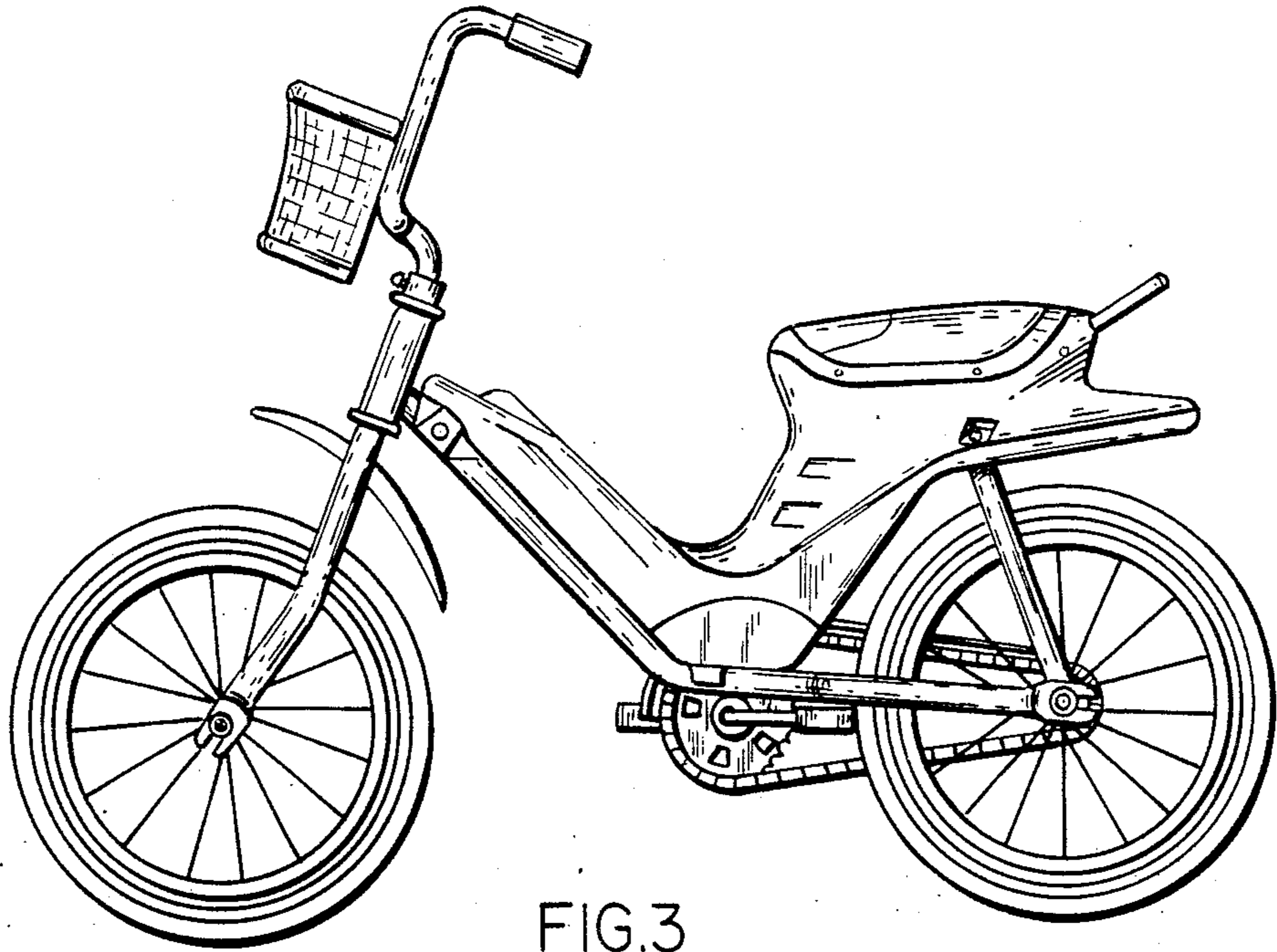


FIG. 3

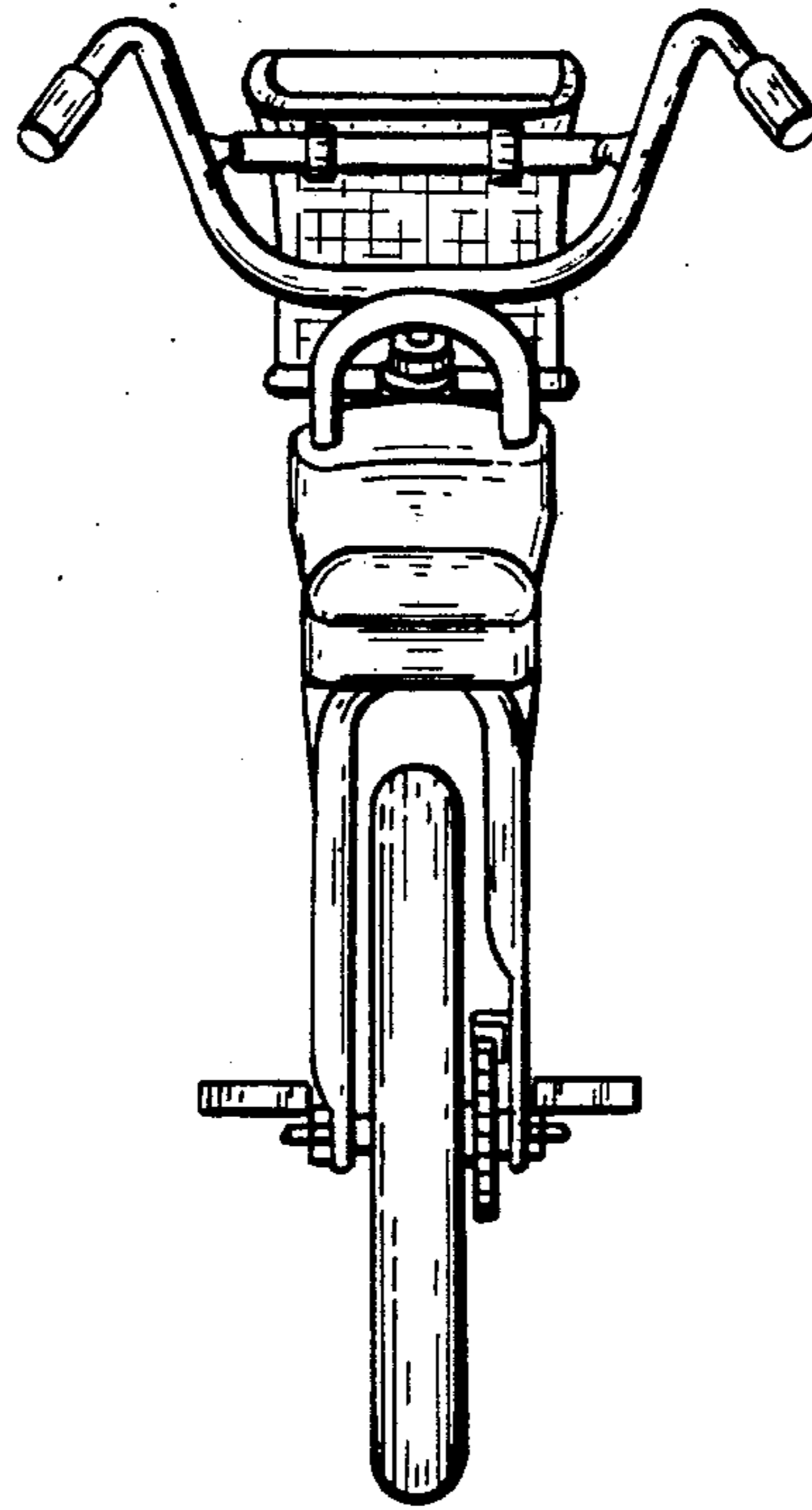


FIG. 4

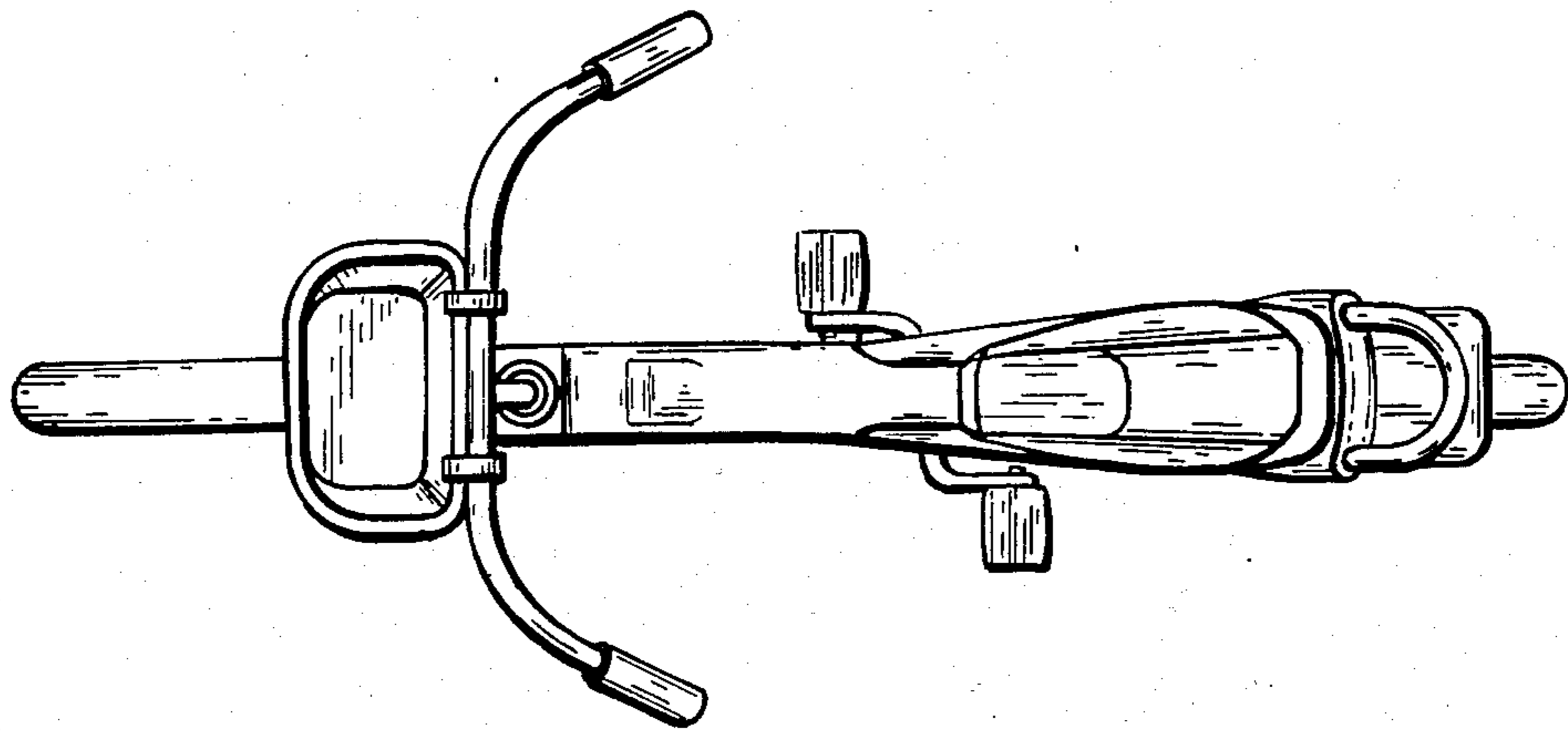


FIG. 5

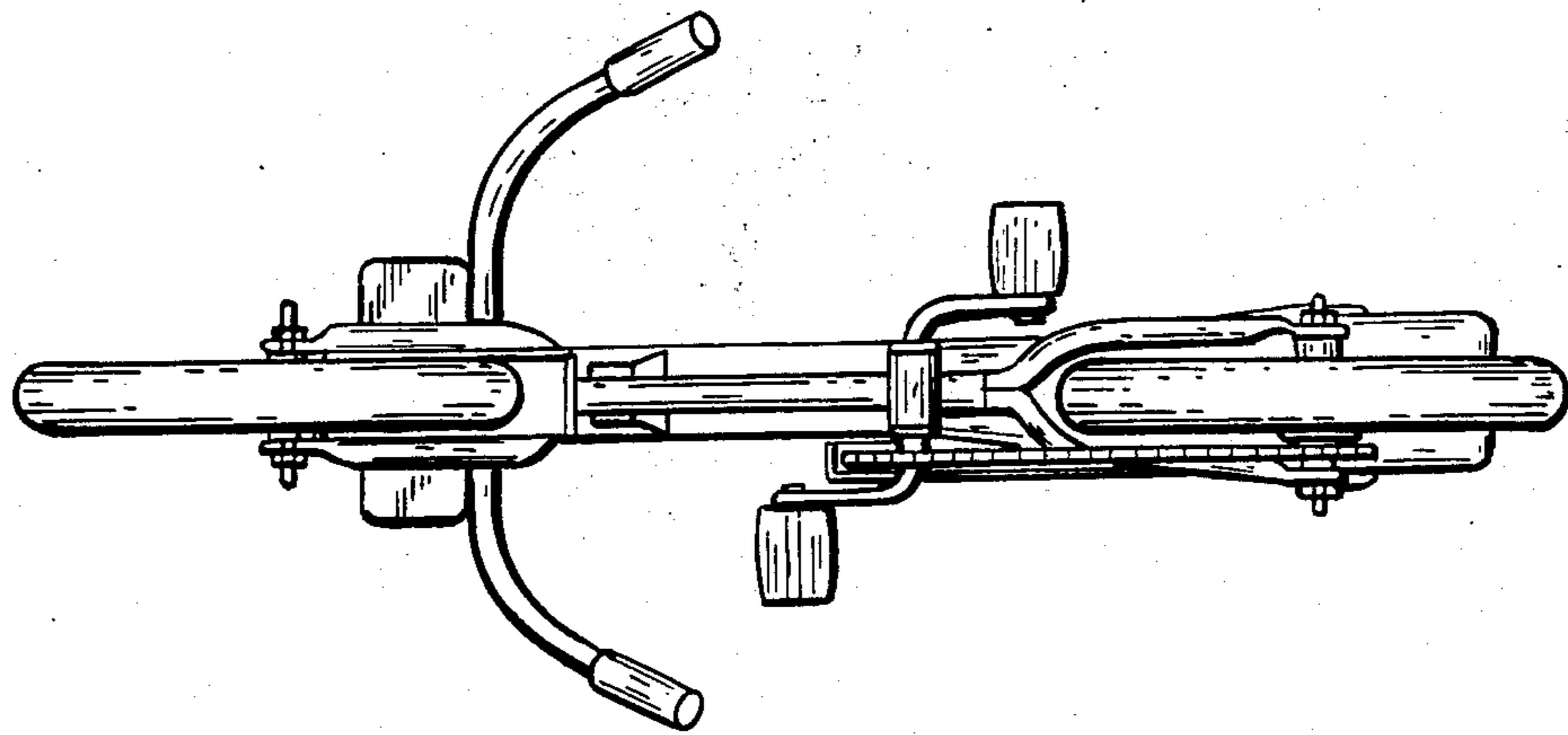


FIG. 6