

[54] FUEL CONTAINER OR THE LIKE

[75] Inventor: Steven P. Belletire, Oak Park, Ill.

[73] Assignee: Attwood Corporation, Lowell, Mich.

[\*\*] Term: 14 Years

[21] Appl. No.: 729,407

[22] Filed: May 1, 1985

[52] U.S. Cl. .... D9/376

[58] Field of Search ..... D9/374, 376, 378;  
215/1 R, 1 C; 220/1 B, 1 R

[56] References Cited

U.S. PATENT DOCUMENTS

D. 194,633	2/1963	Platte	.....	D9/374
D. 222,434	10/1971	Finkel	.....	D9/374
D. 223,356	4/1972	Sharp	.....	D9/374 X
D. 258,937	4/1981	Kneer	.....	D9/376
D. 261,362	10/1981	Epperson	.....	D9/376
D. 271,113	10/1983	Birkeland	.....	D9/376 X
D. 279,549	7/1985	Elmburg	.....	D9/376
D. 282,957	3/1986	Carlson	.....	D9/374 X

OTHER PUBLICATIONS

1984-84 Attwood Product Catalog, p. 56.

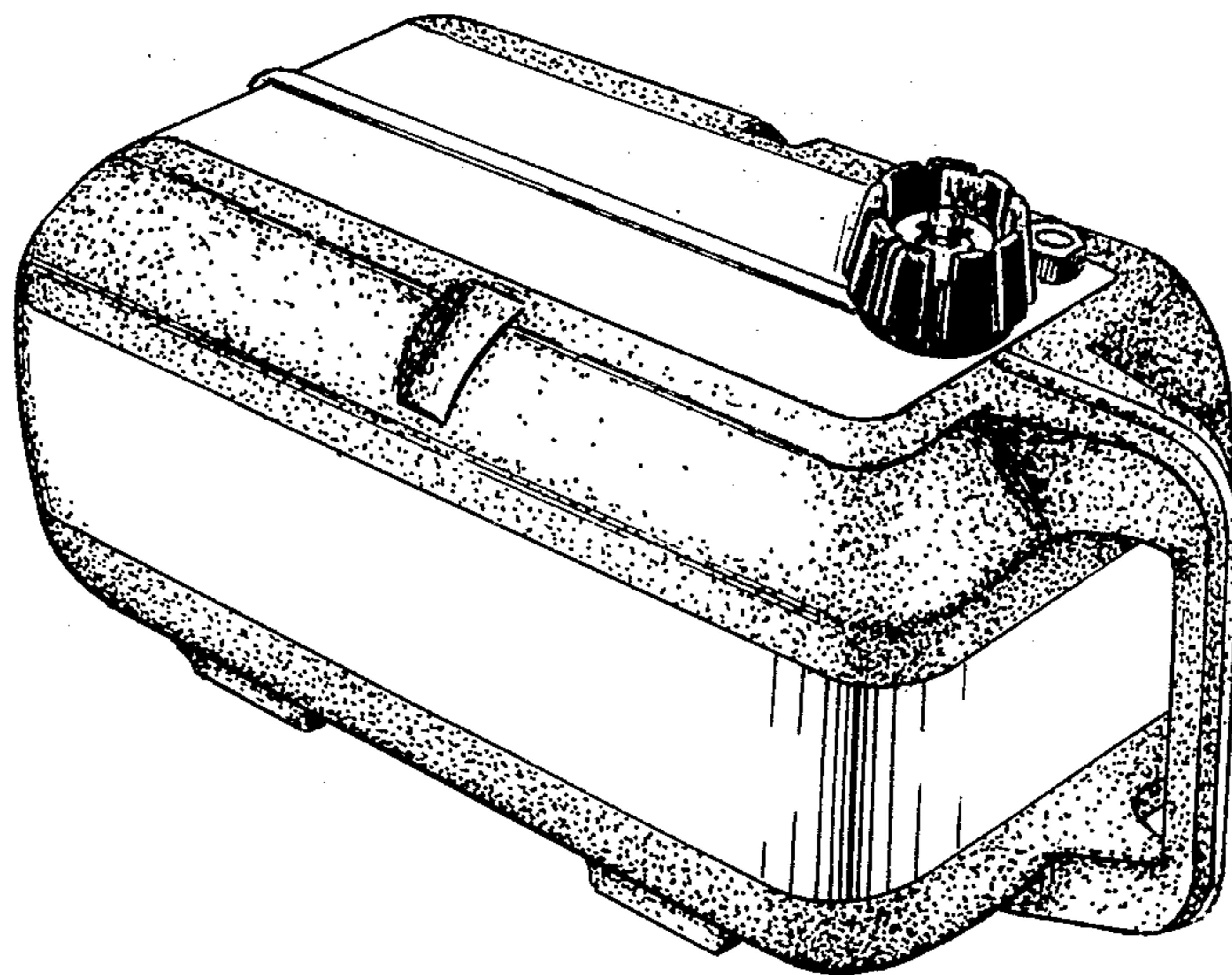
Primary Examiner—Robert C. Spangler  
Attorney, Agent, or Firm—Price, Heneveld, Cooper,  
DeWitt & Litton

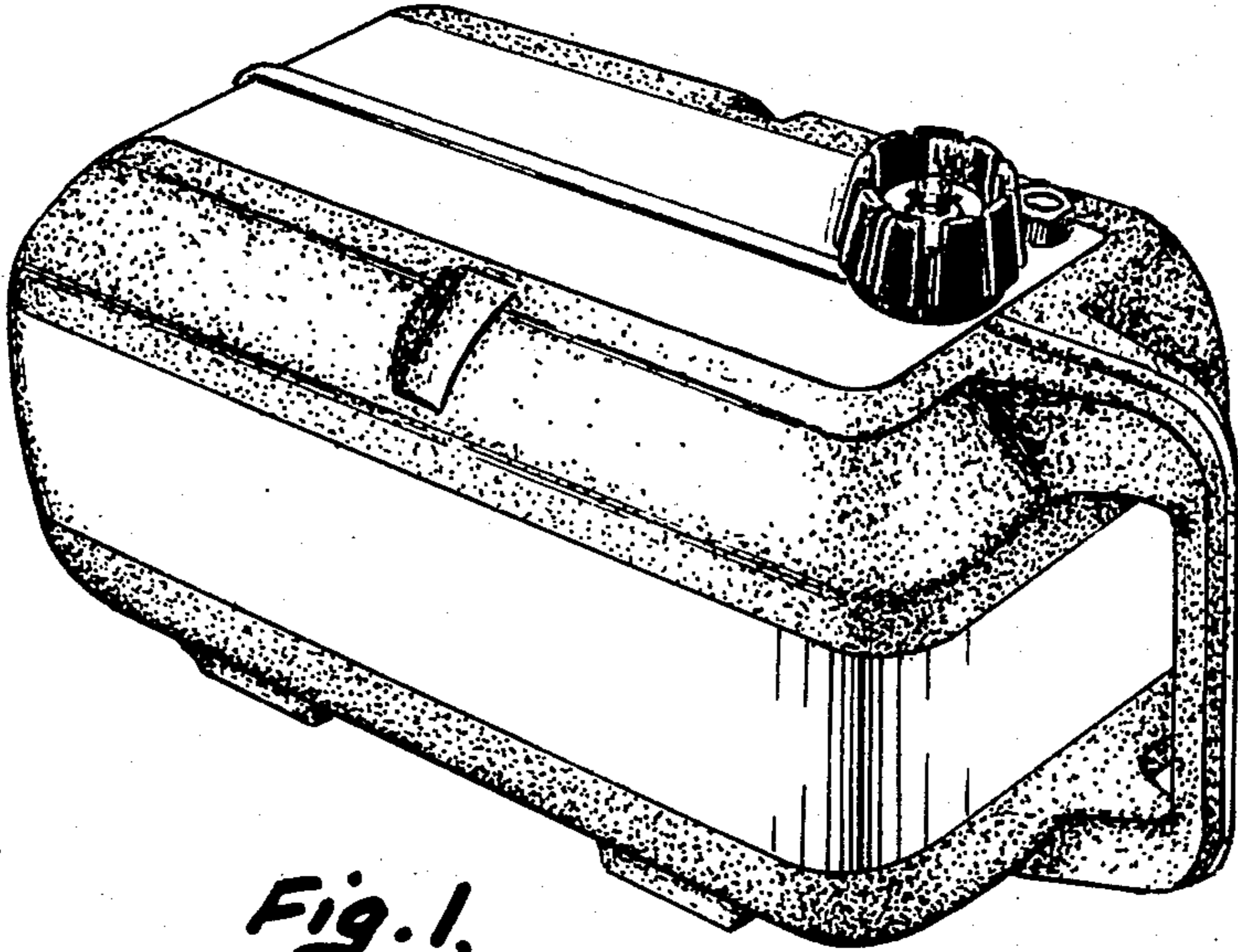
[57] CLAIM

The ornamental design for a fuel container or the like,  
substantially as shown and described.

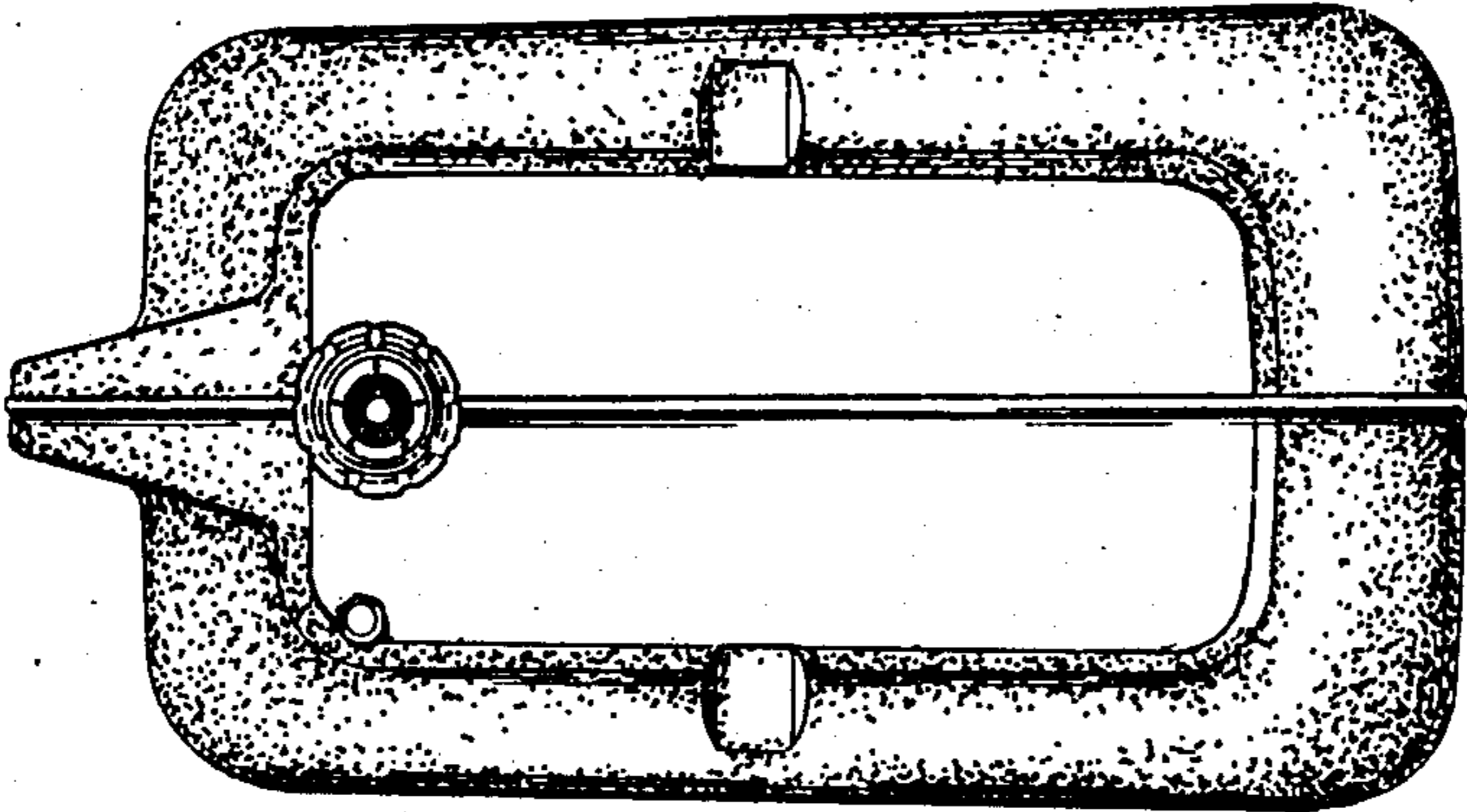
DESCRIPTION

FIG. 1 is a side elevational perspective view of a fuel container or the like showing my new design;  
 FIG. 2 is a top plan view thereof;  
 FIG. 3 is a bottom plan view thereof;  
 FIG. 4 is a side elevational view of one of the sides thereof;  
 FIG. 5 is a side elevational view of the other side thereof;  
 FIG. 6 is an end elevational view of the end thereof which includes the handle;  
 FIG. 7 is an end elevational view of the other end thereof opposite the handle.

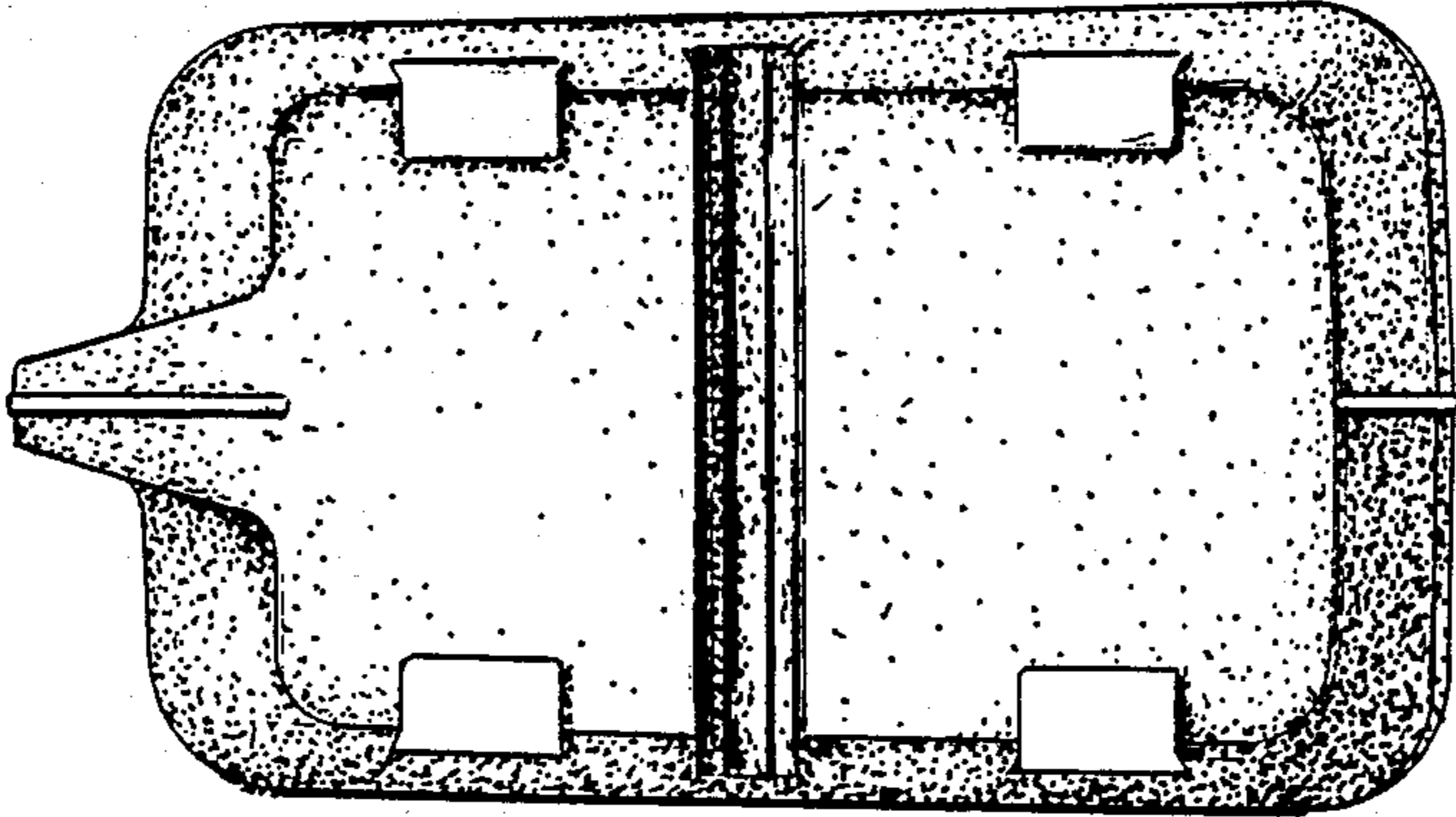




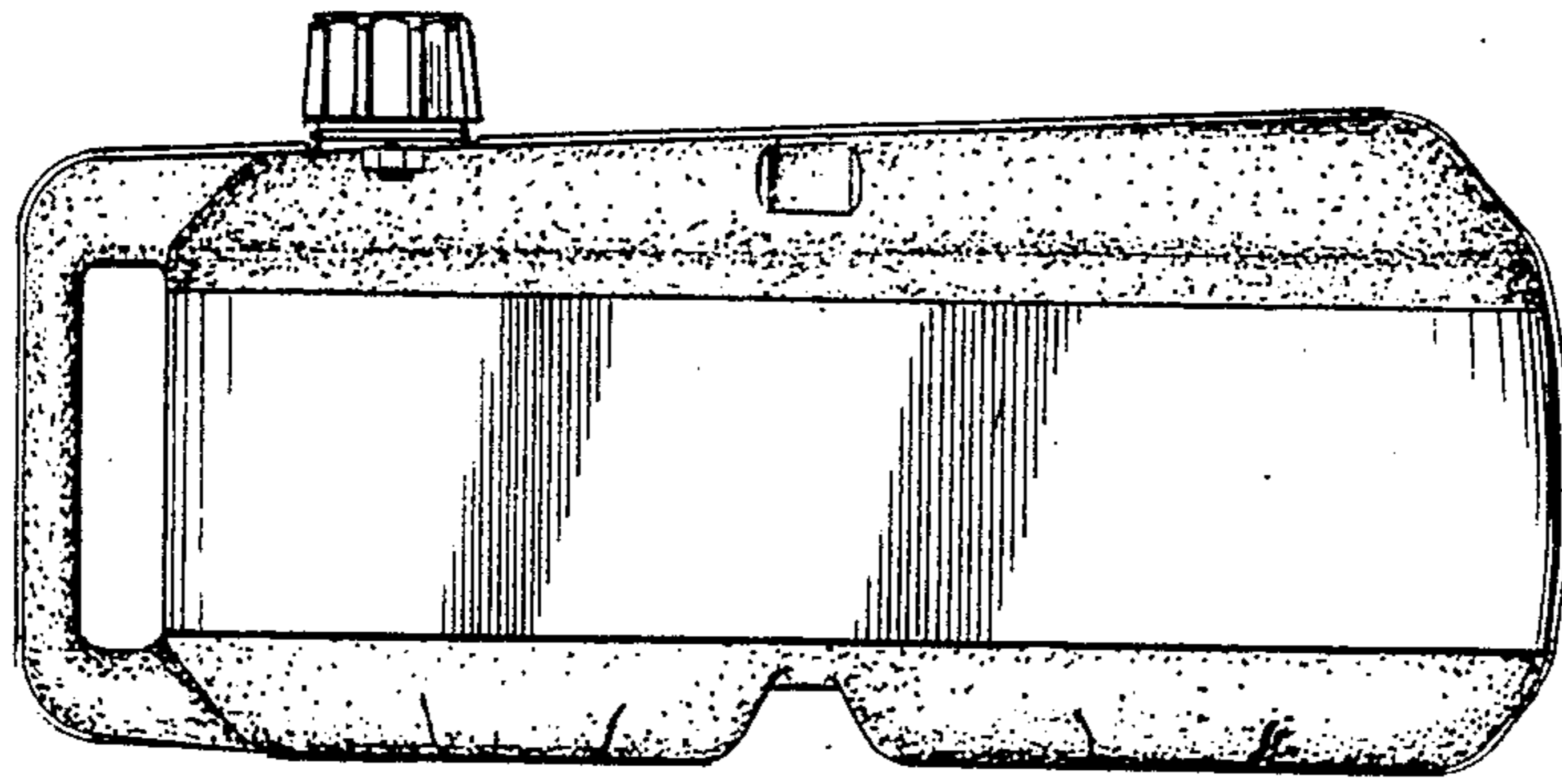
*Fig. 1.*



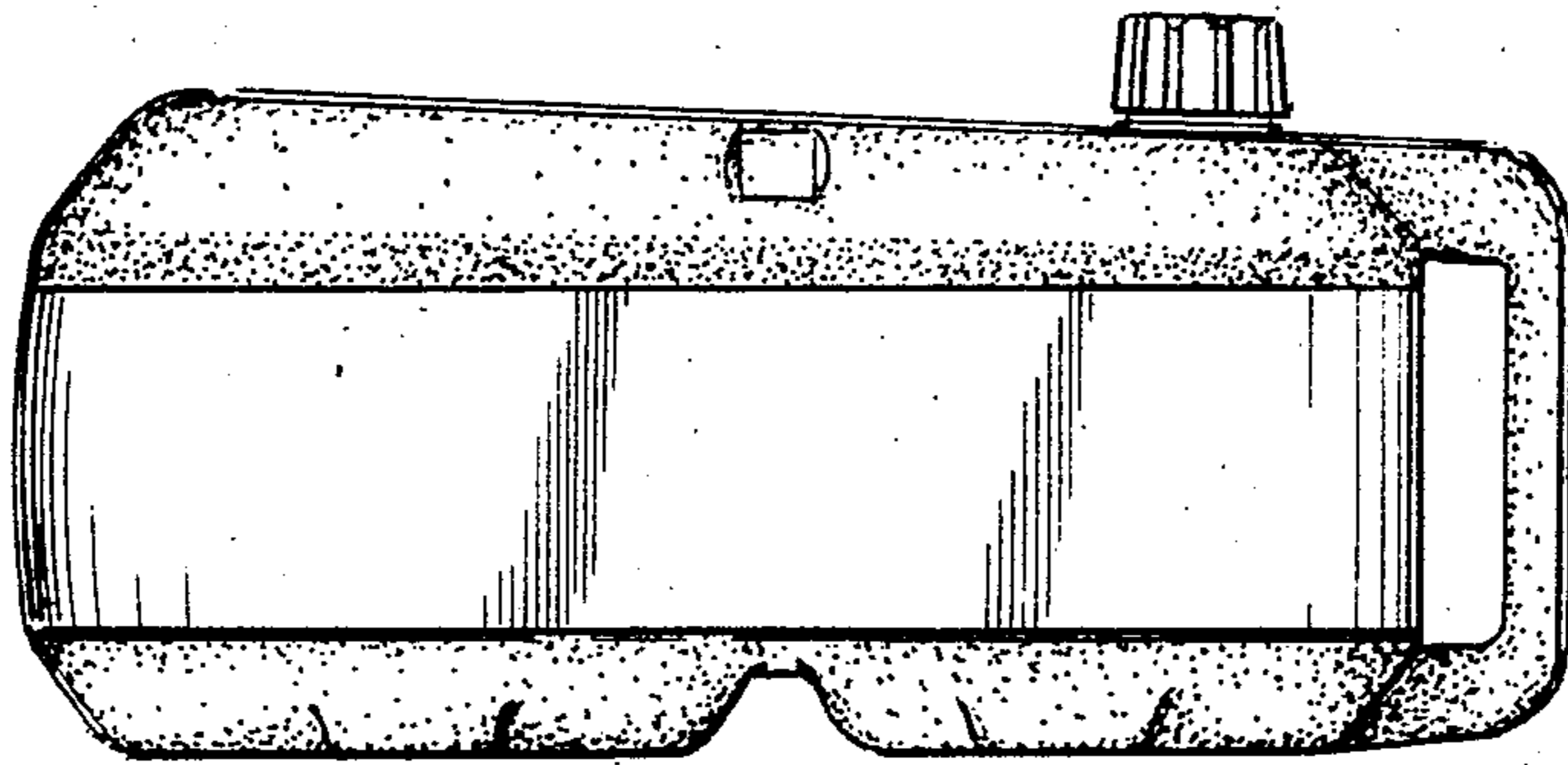
*Fig. 2.*



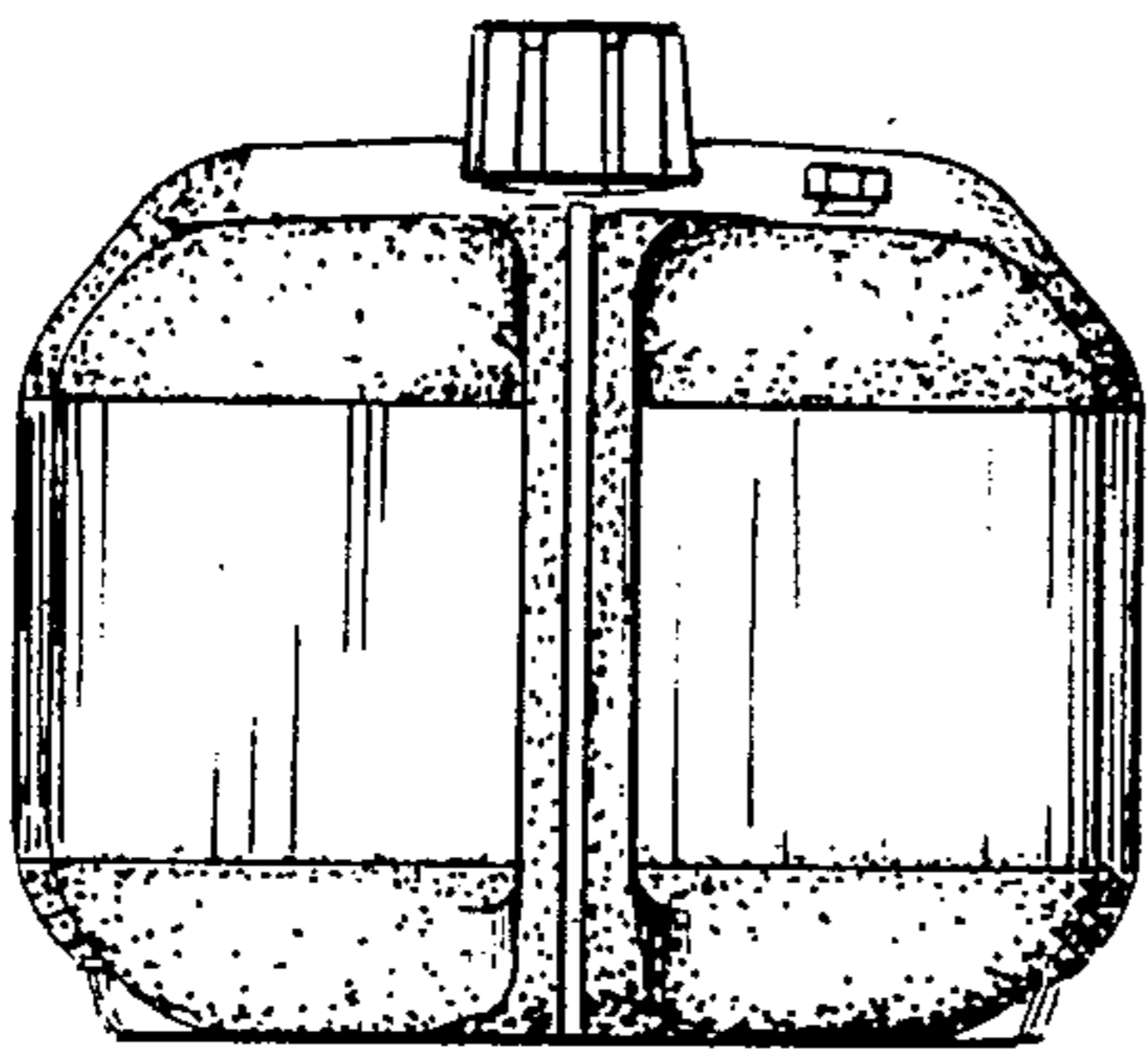
*Fig. 3.*



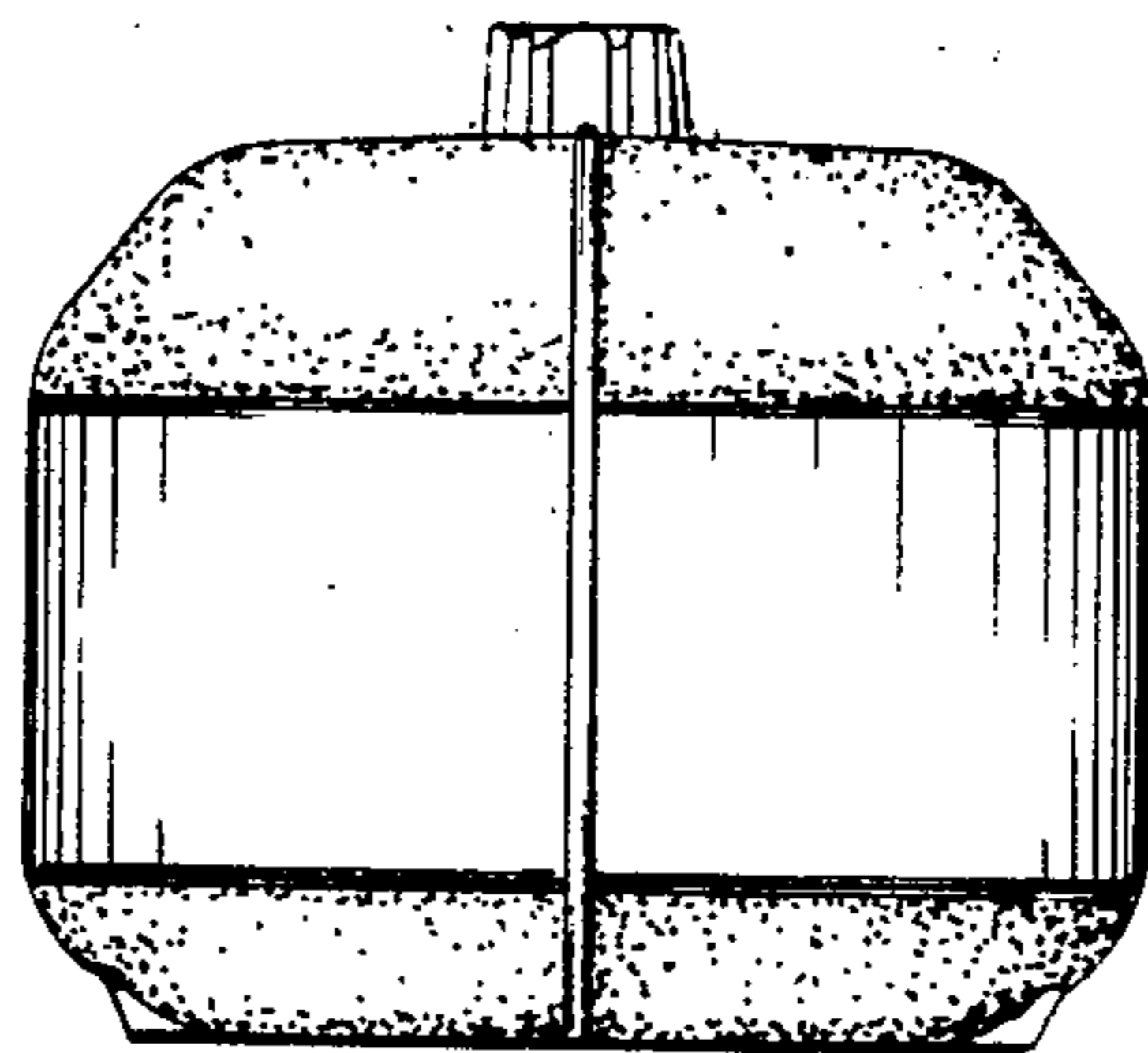
*Fig. 4.*



*Fig. 5.*



*Fig. 6.*



*Fig. 7.*