

[54] **PRINTED CIRCUIT BOARD STAND-OFF**  
 [75] Inventor: **Royce W. Hill, Flippin, Ark.**  
 [73] Assignee: **Micro Plastics, Inc., Flippin, Ark.**  
 [\*\*] Term: **14 Years**  
 [21] Appl. No.: **704,519**  
 [22] Filed: **Feb. 22, 1985**  
 [52] U.S. Cl. .... **D8/354; 174/138 D**  
 [58] Field of Search ..... **D8/349, 354; D13/24, D13/99; 24/305; 174/138 D**

1271400 4/1972 United Kingdom ..... 174/138 D

**OTHER PUBLICATIONS**

Richco Plastic Co. catalog, p. 30, Plastic Push Rivets, Model PR-1.

*Primary Examiner*—Wallace R. Burke  
*Assistant Examiner*—Horace B. Fay  
*Attorney, Agent, or Firm*—Stephen D. Carver

[57] **CLAIM**

The ornamental design for a printed circuit board stand-off, as shown and described.

[56] **References Cited**

**U.S. PATENT DOCUMENTS**

D. 278,143	3/1985	Hill	.....	D13/99
D. 278,330	4/1985	Hill	.....	D13/24
2,442,754	6/1948	Beam	.....	174/138 D
2,936,015	5/1960	Rapafa	.....	174/138 D
3,195,266	7/1965	Onanian	.....	174/138 D
3,651,734	3/1972	McSherry	.....	174/138 D
3,777,052	12/1973	Fegen	.....	174/138 D
3,811,154	5/1974	Lindemann et al.	.....	24/73 P
3,852,849	12/1974	Pestka	.....	24/73 P
4,297,769	11/1981	Coules	.....	174/138 D

**FOREIGN PATENT DOCUMENTS**

2024211	1/1972	Fed. Rep. of Germany	.....	24/305
2457228	6/1976	Fed. Rep. of Germany	...	174/138 D

**DESCRIPTION**

FIG. 1 is an isometric view of a printed circuit board stand-off showing my new design;  
 FIG. 2 is a front elevational view thereof, the rear view being a mirror image;  
 FIG. 3 is a top plan view thereof, the bottom plan view being a mirror image;  
 FIG. 4 is a side elevational view thereof, the side opposite being a mirror image;  
 FIG. 5 is a sectional view taken along line 5—5 of FIG. 4;  
 FIG. 6 is a sectional view taken along line 6—6 of FIG. 2; and  
 FIG. 7 is a sectional view taken along line 7—7 of FIG. 1.

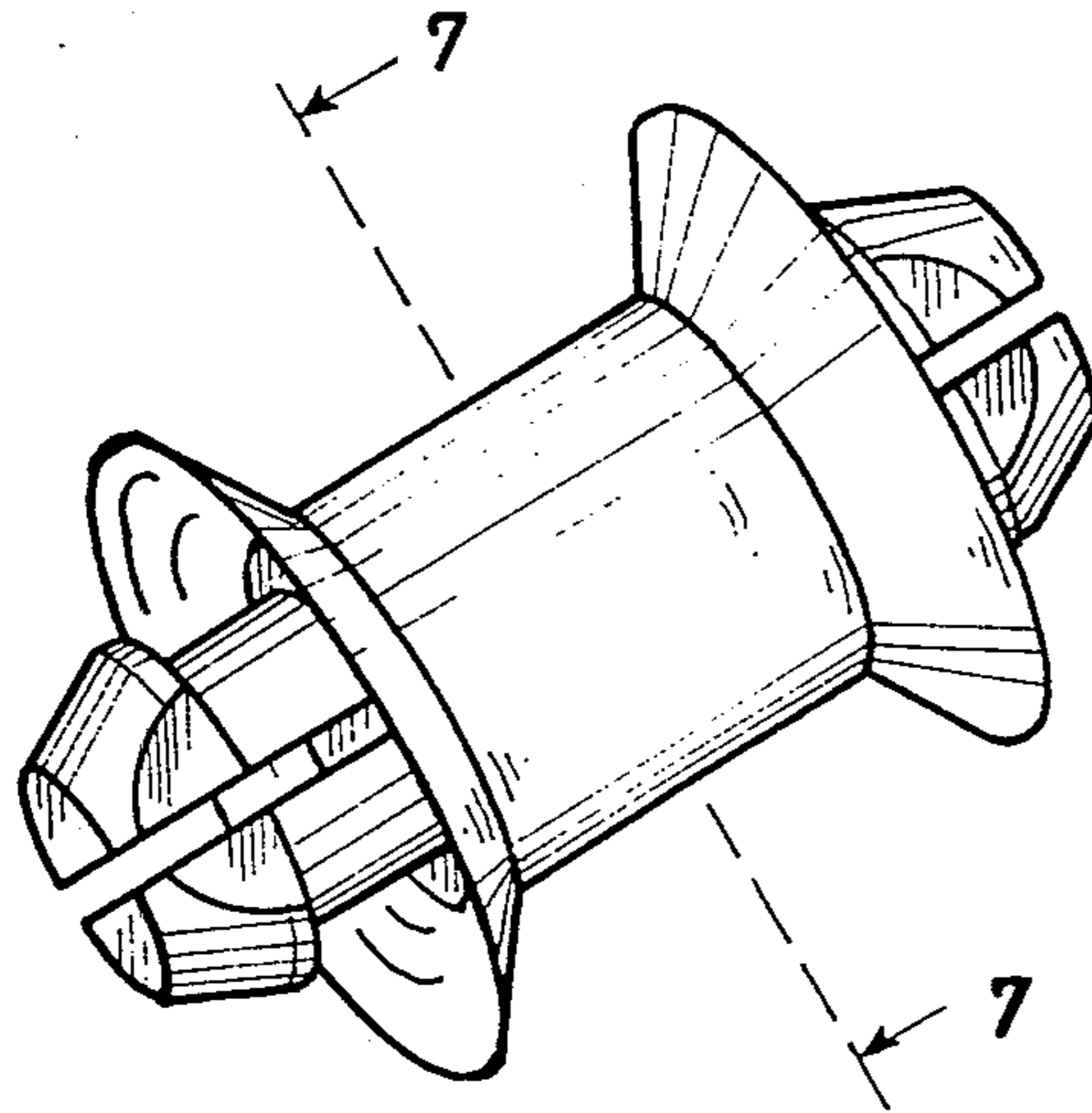


FIG. 1

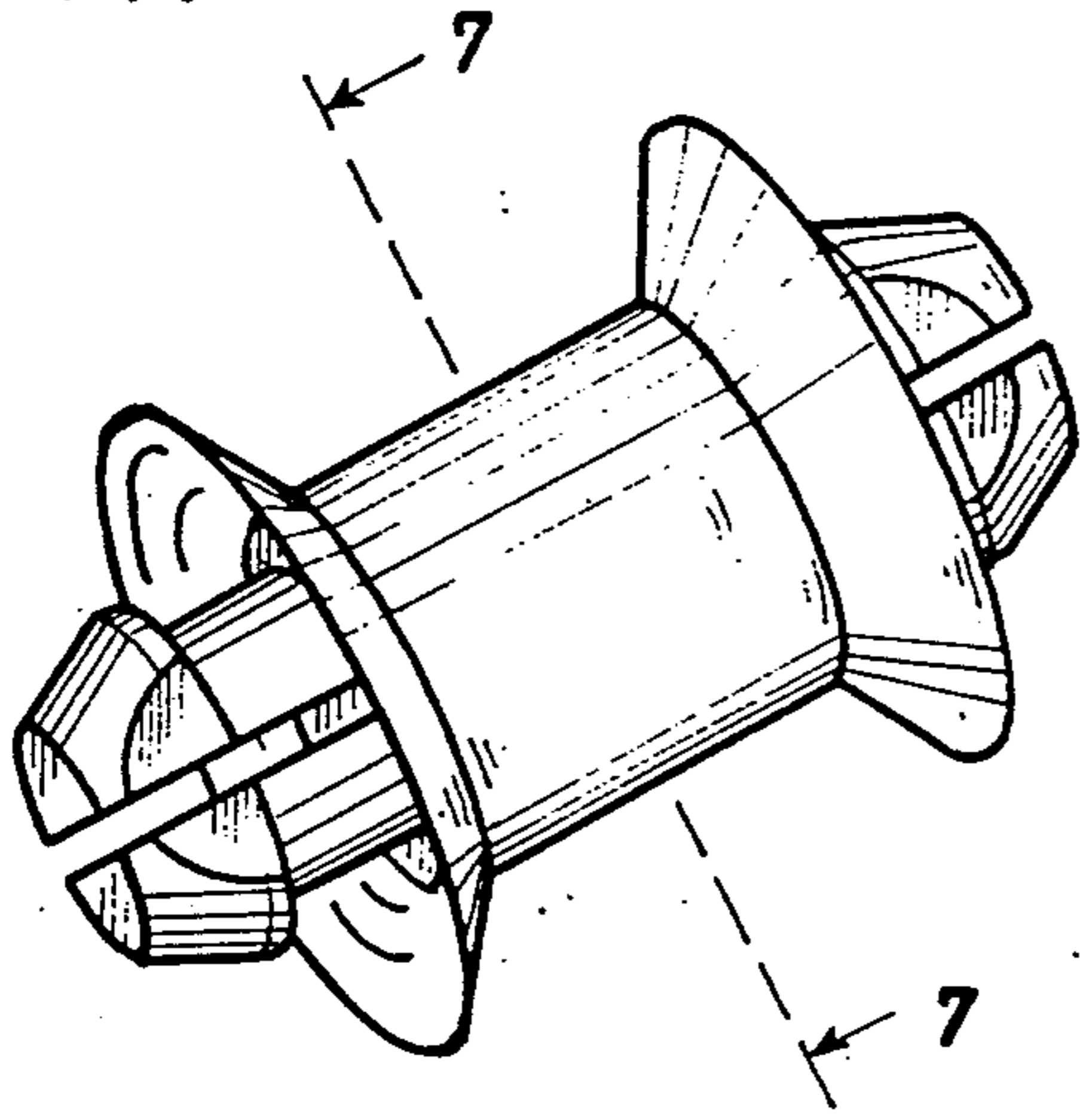


FIG. 2

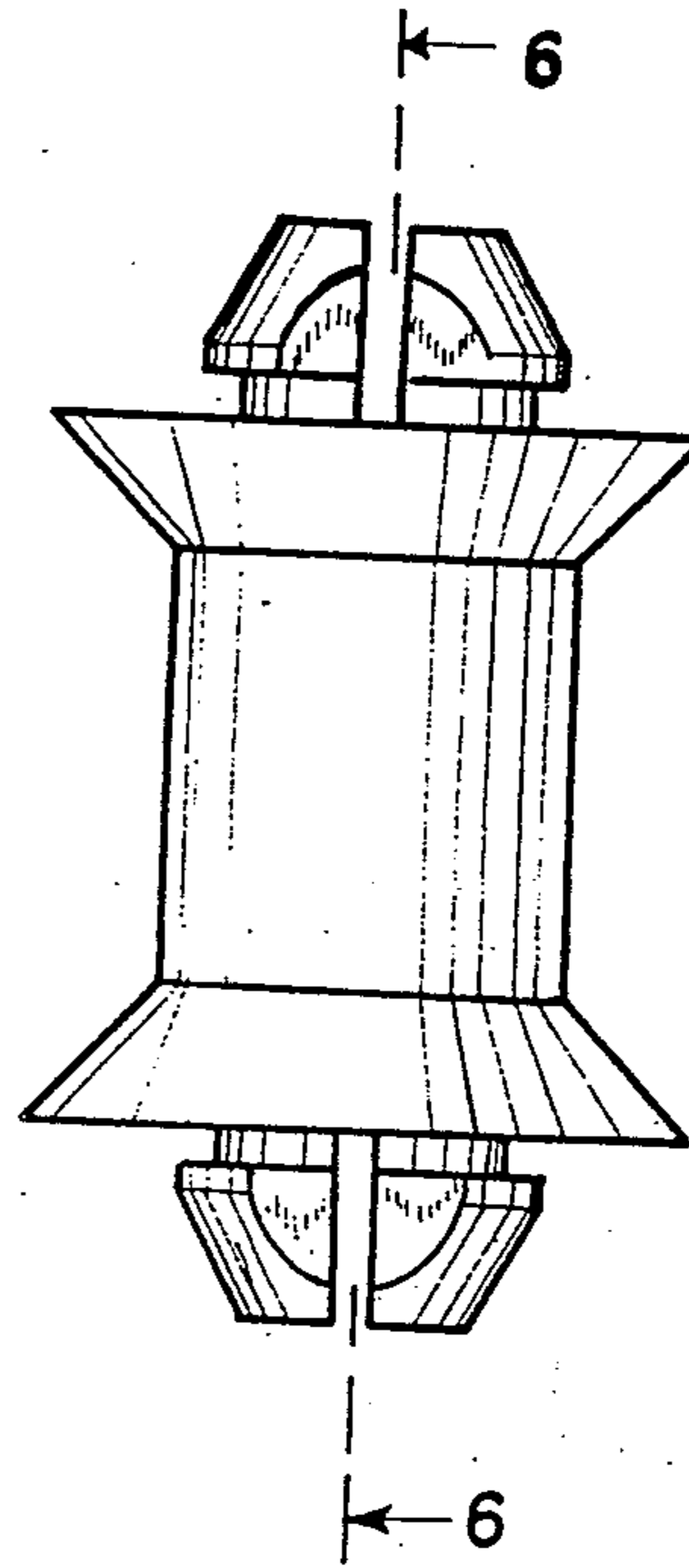


FIG. 3

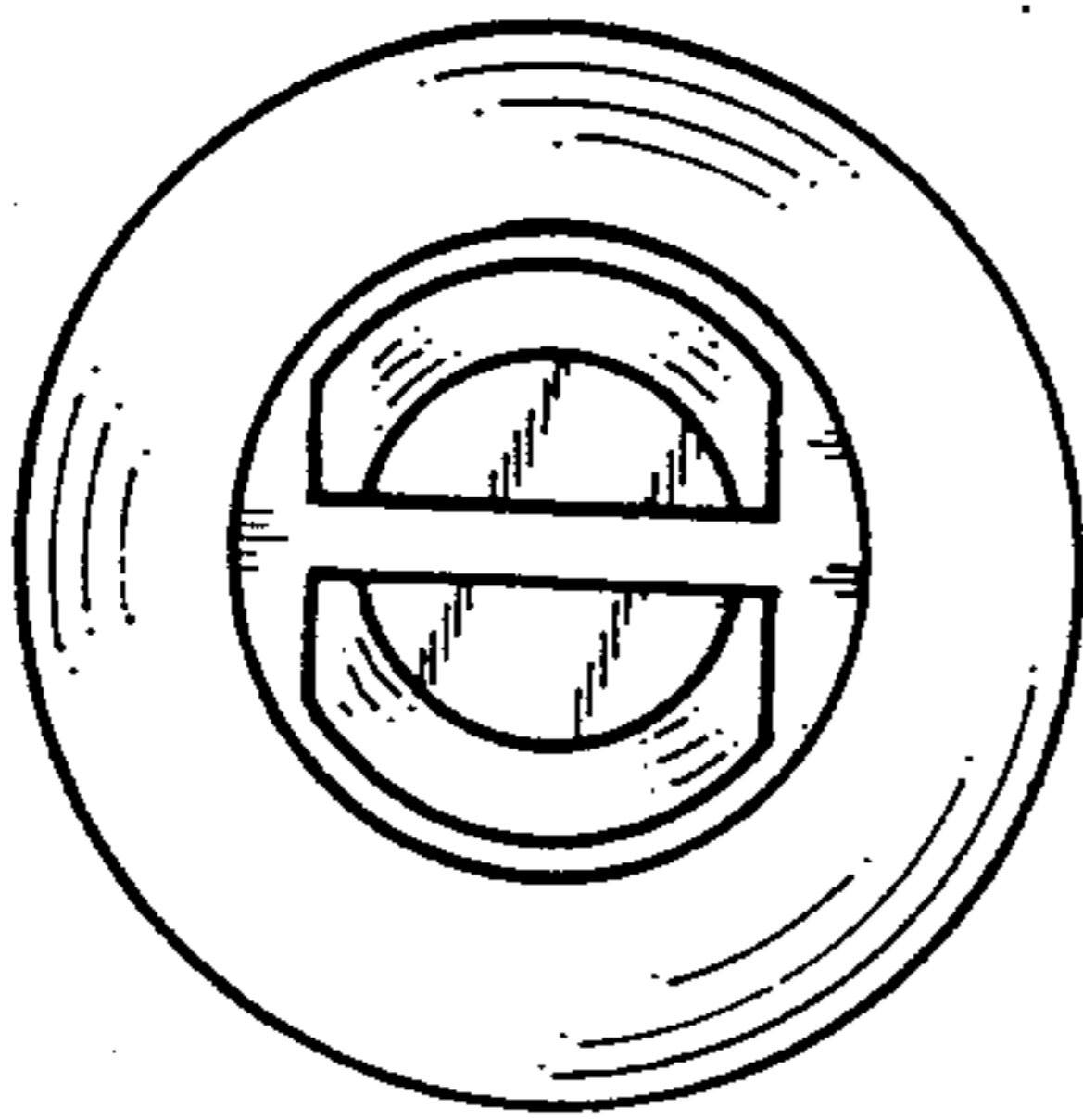
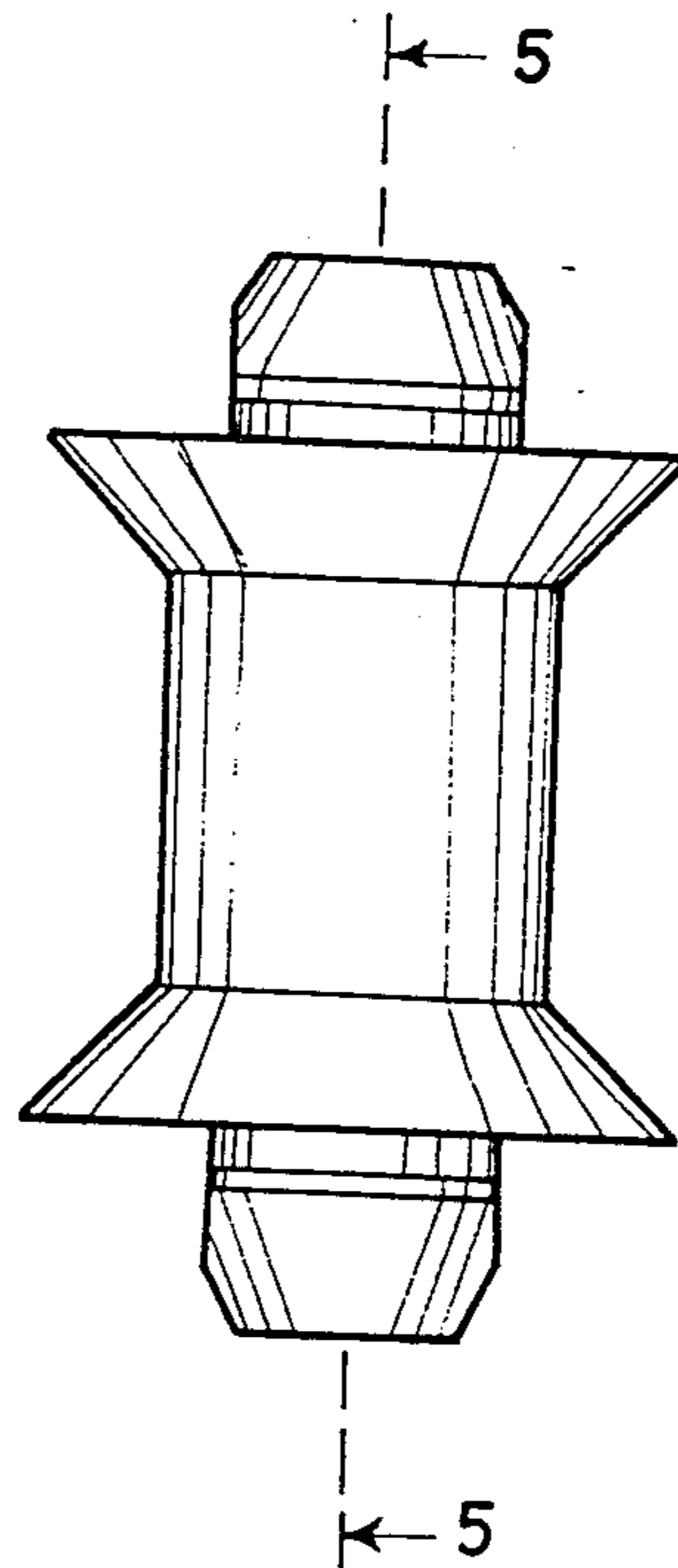
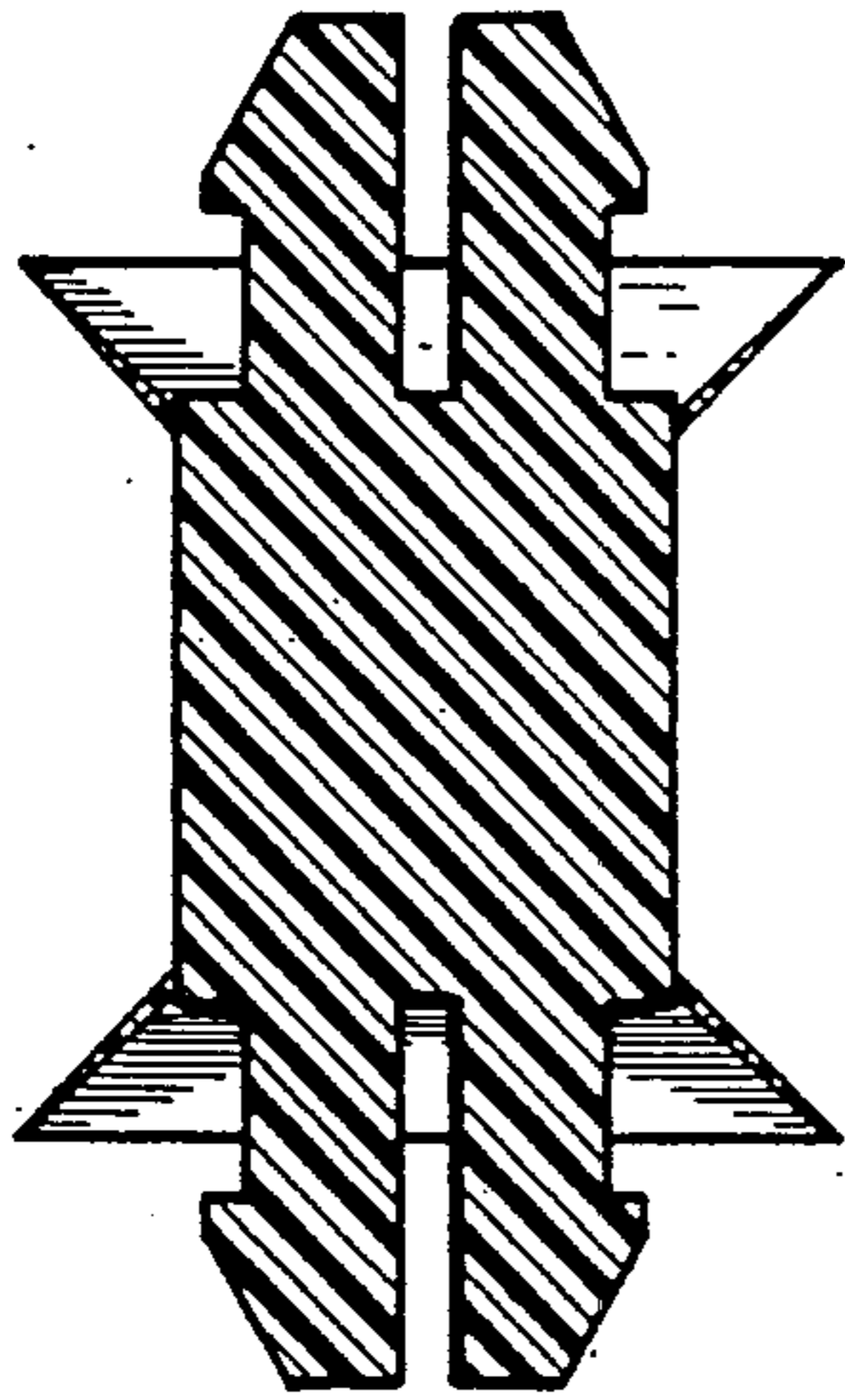


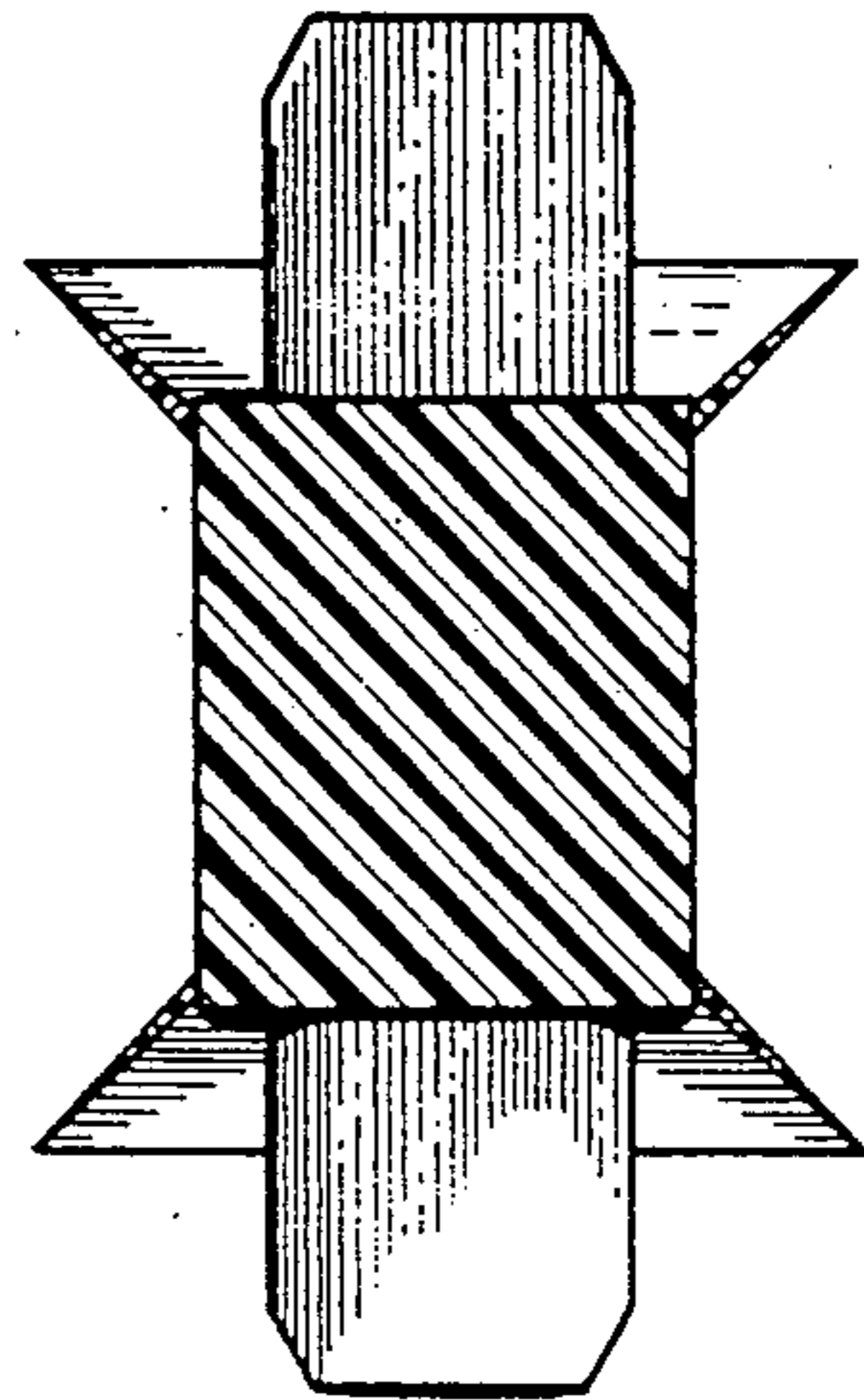
FIG. 4



*FIG. 5*



*FIG. 6*



*FIG. 7*

