

[54] ANVIL DEVIL HOLDER

3,075,416 1/1963 Stuhldreher 72/481

[75] Inventor: Robert J. Garner, Grover City, Calif.

[73] Assignee: G.E. Forge & Tool Works, Arroyo Grande, Calif.

[**] Term: 14 Years

[21] Appl. No.: 631,300

[22] Filed: Jul. 16, 1984

[52] U.S. Cl. D8/46; D8/71

[58] Field of Search D8/71-74, D8/46; 29/283; 72/476, 481, 479

[56] References Cited

U.S. PATENT DOCUMENTS

956,023	4/1910	Bailley	72/481
1,080,238	12/1913	Stake	72/481
3,043,167	7/1962	Robbins	72/481
3,044,527	7/1962	Fulton	72/481

OTHER PUBLICATIONS

Milwaukee Tool & Equipment Co. Cat. 176; p. 5; Stakeholder No. 671130 (first col.; 2nd down).

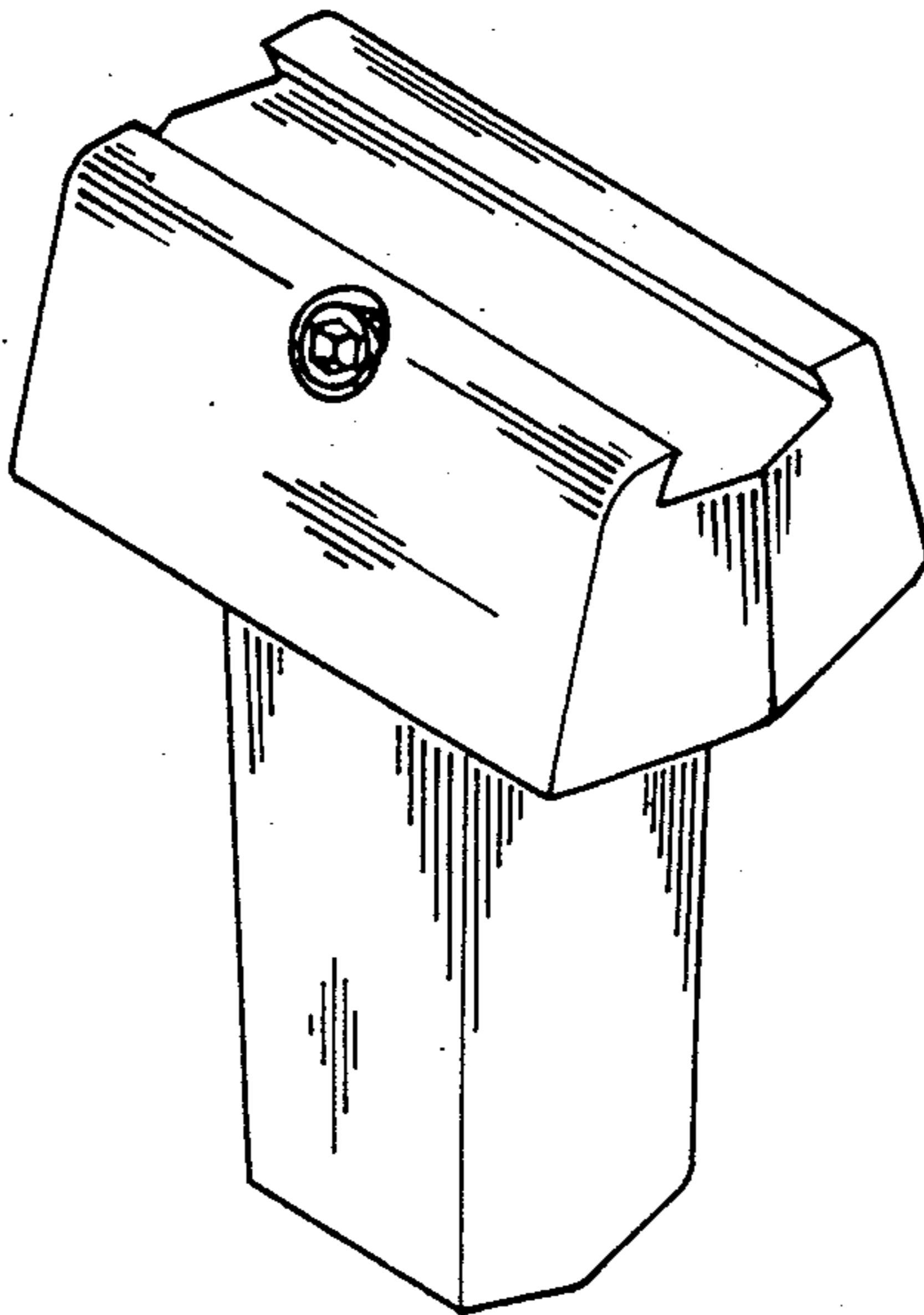
Primary Examiner—B. J. Bullock
Attorney, Agent, or Firm—Daniel C. McKown

[57] CLAIM

The ornamental design for an anvil devil holder, substantially as shown.

DESCRIPTION

FIG. 1 is a top, left and front perspective view of an anvil devil holder showing my new design; FIG. 2 is a front elevational view thereof; FIG. 3 is a rear elevational view thereof; FIG. 4 is a left side elevational view thereof; FIG. 5 is a right side elevational view thereof; FIG. 6 is a top plan view thereof; FIG. 7 is a bottom plan view thereof.



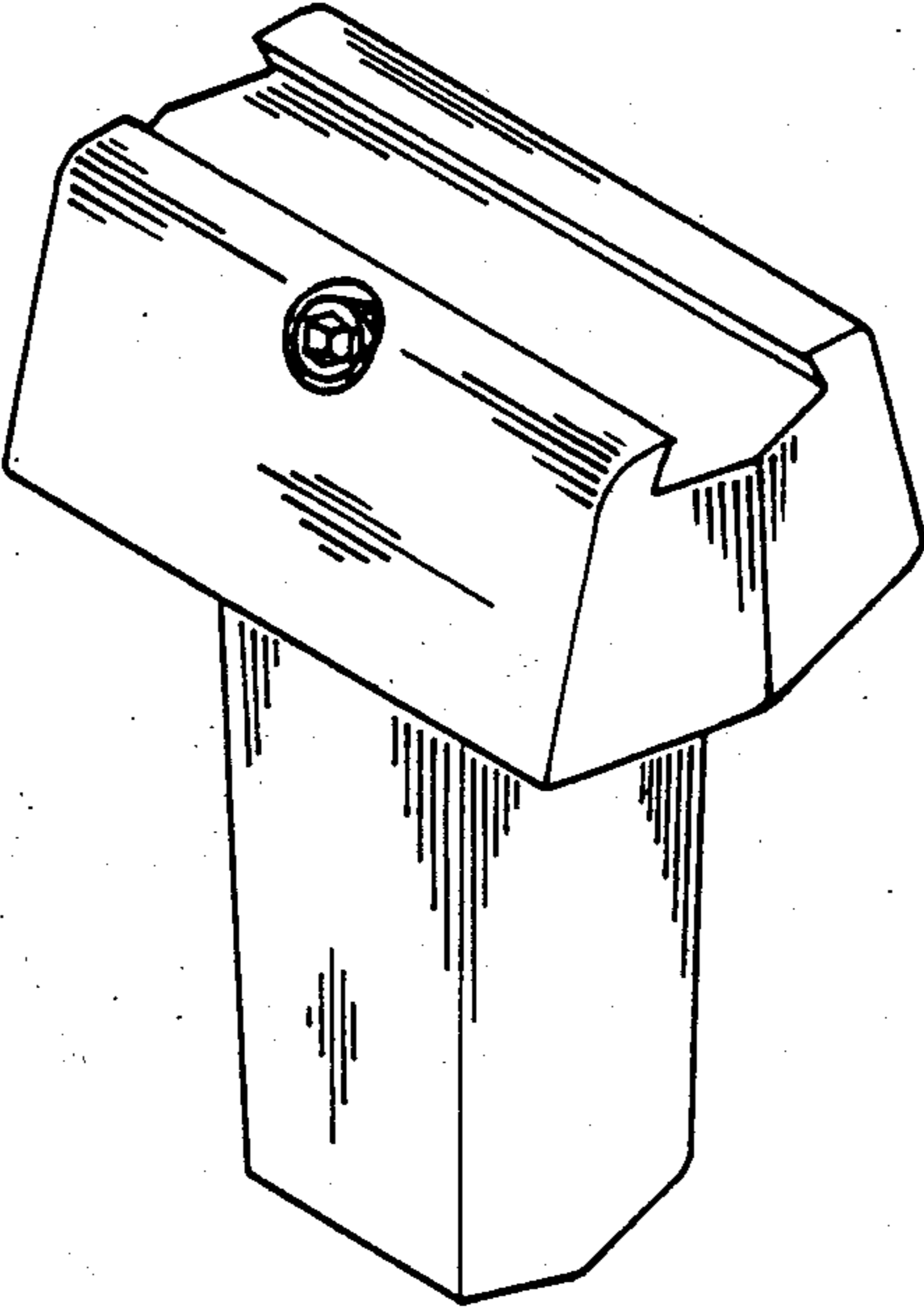


FIG. 1

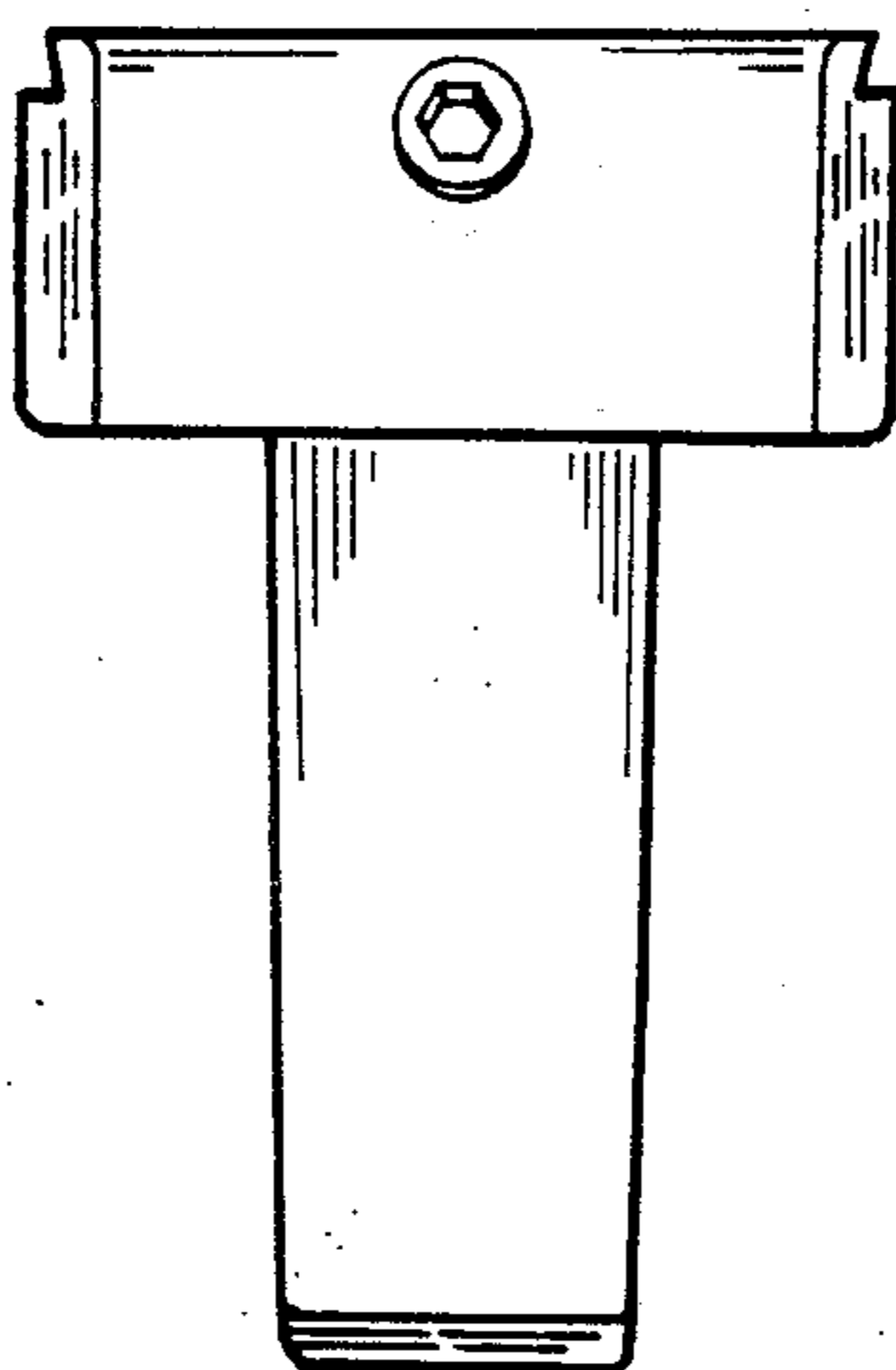


FIG. 2

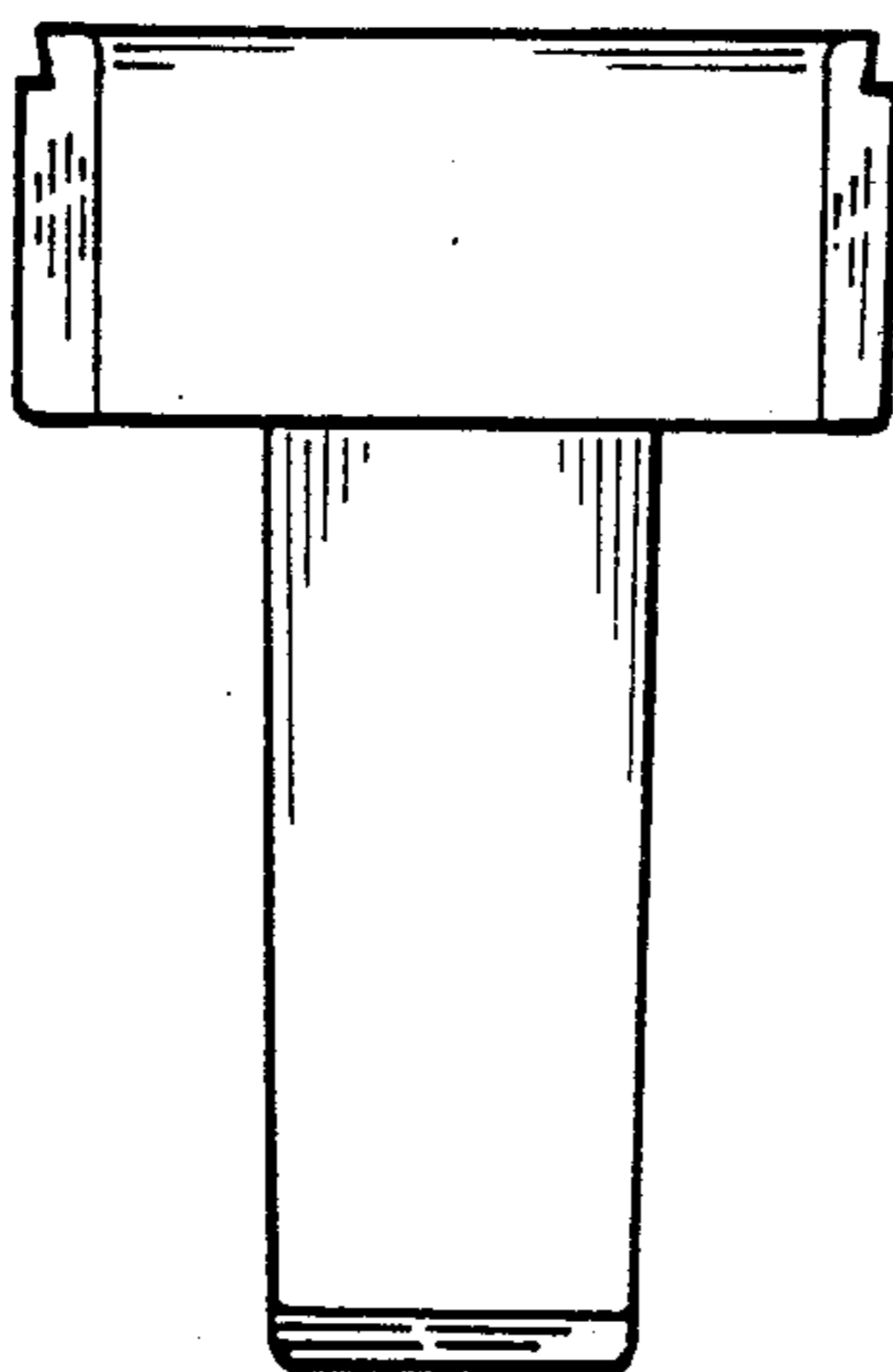


FIG. 3

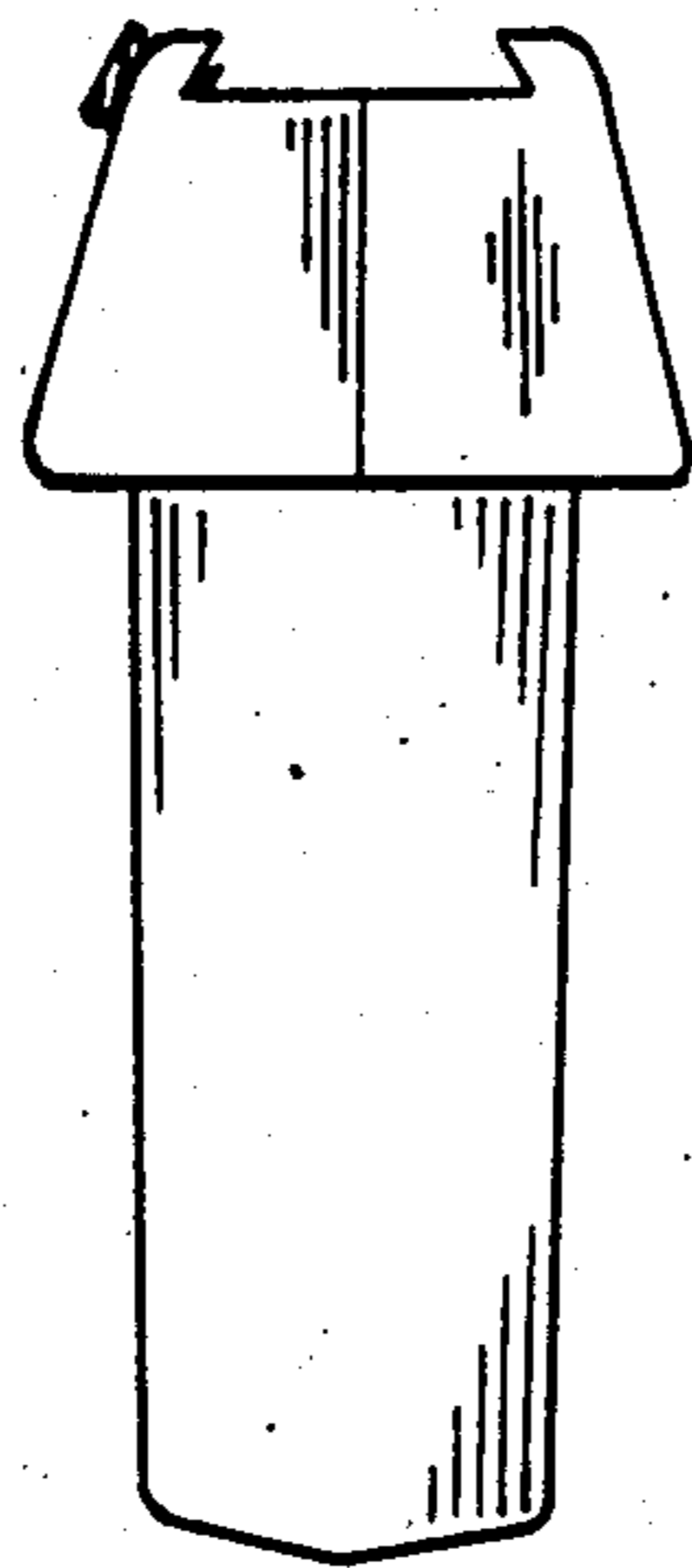


FIG. 4

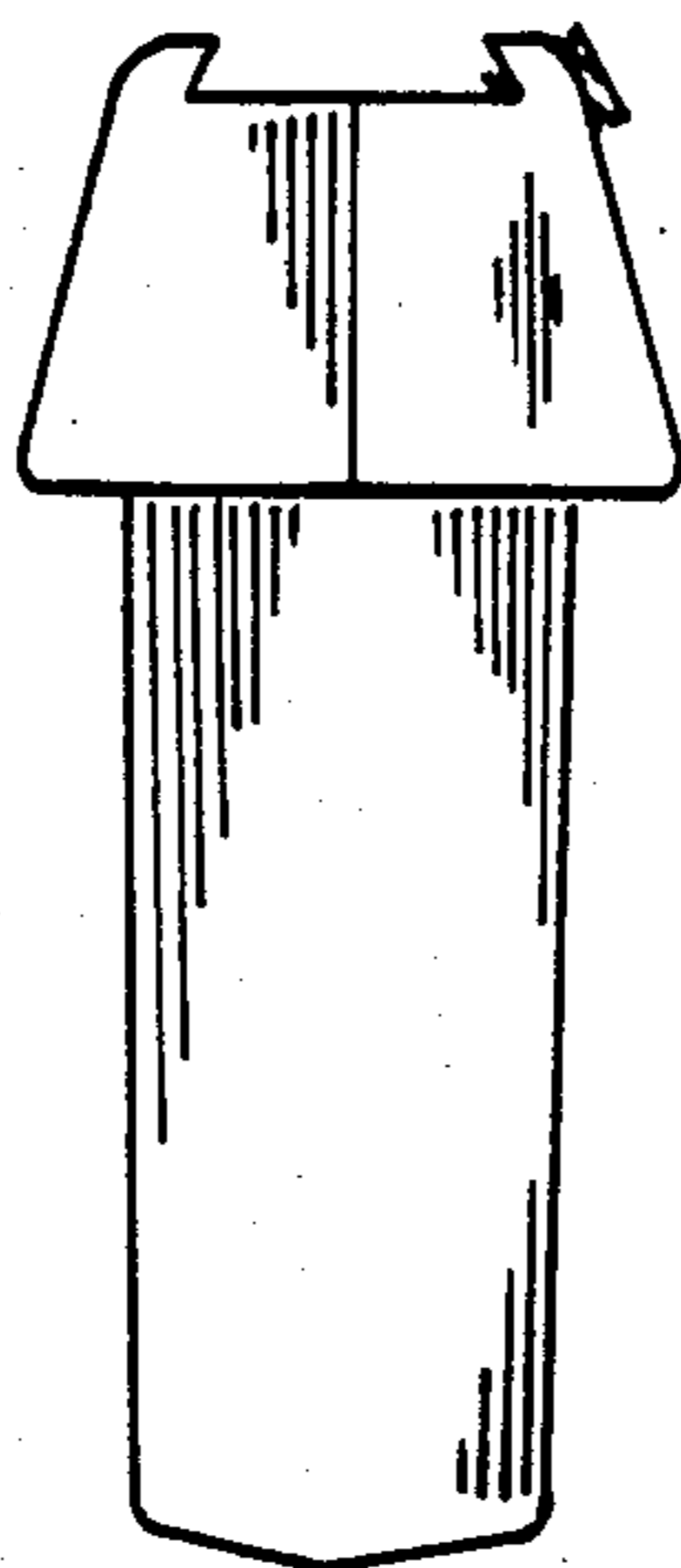


FIG. 5

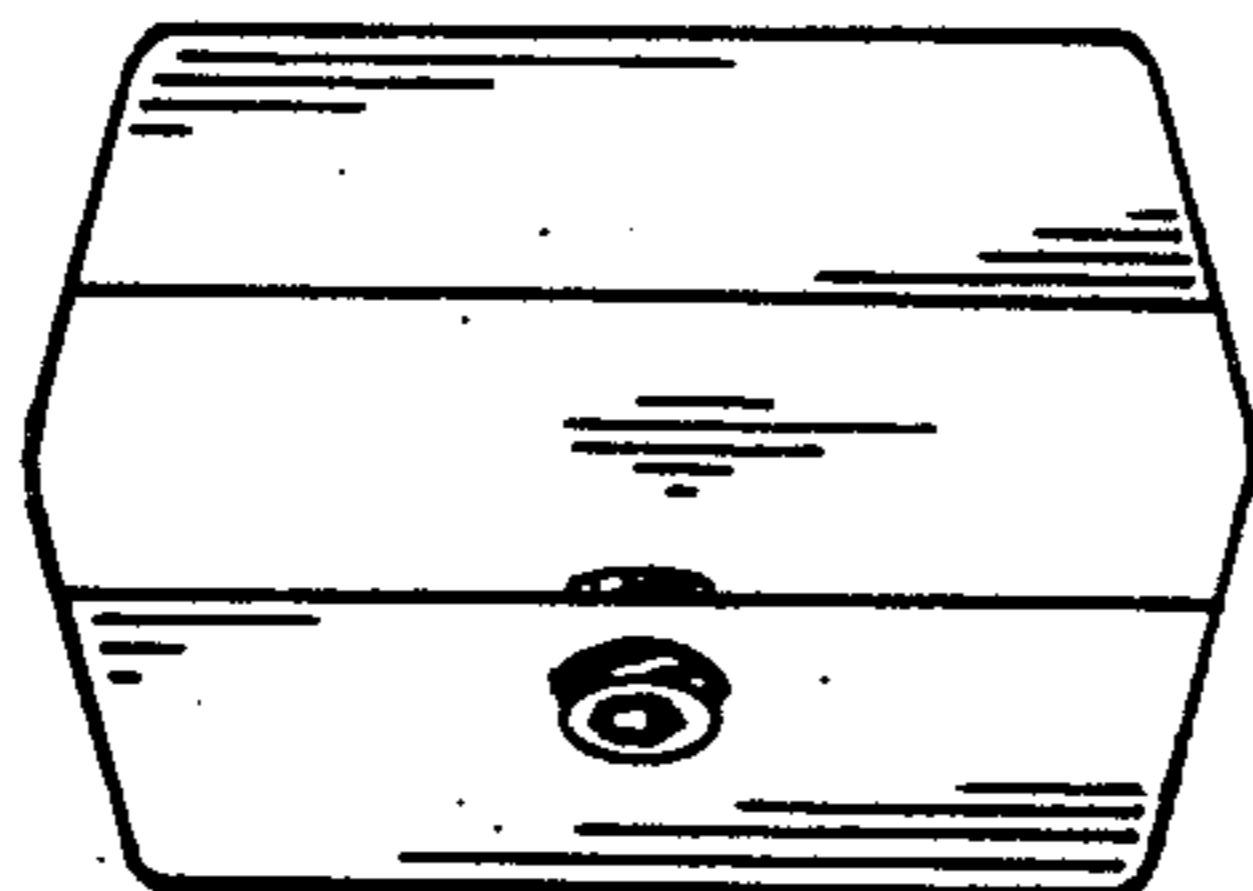


FIG. 6

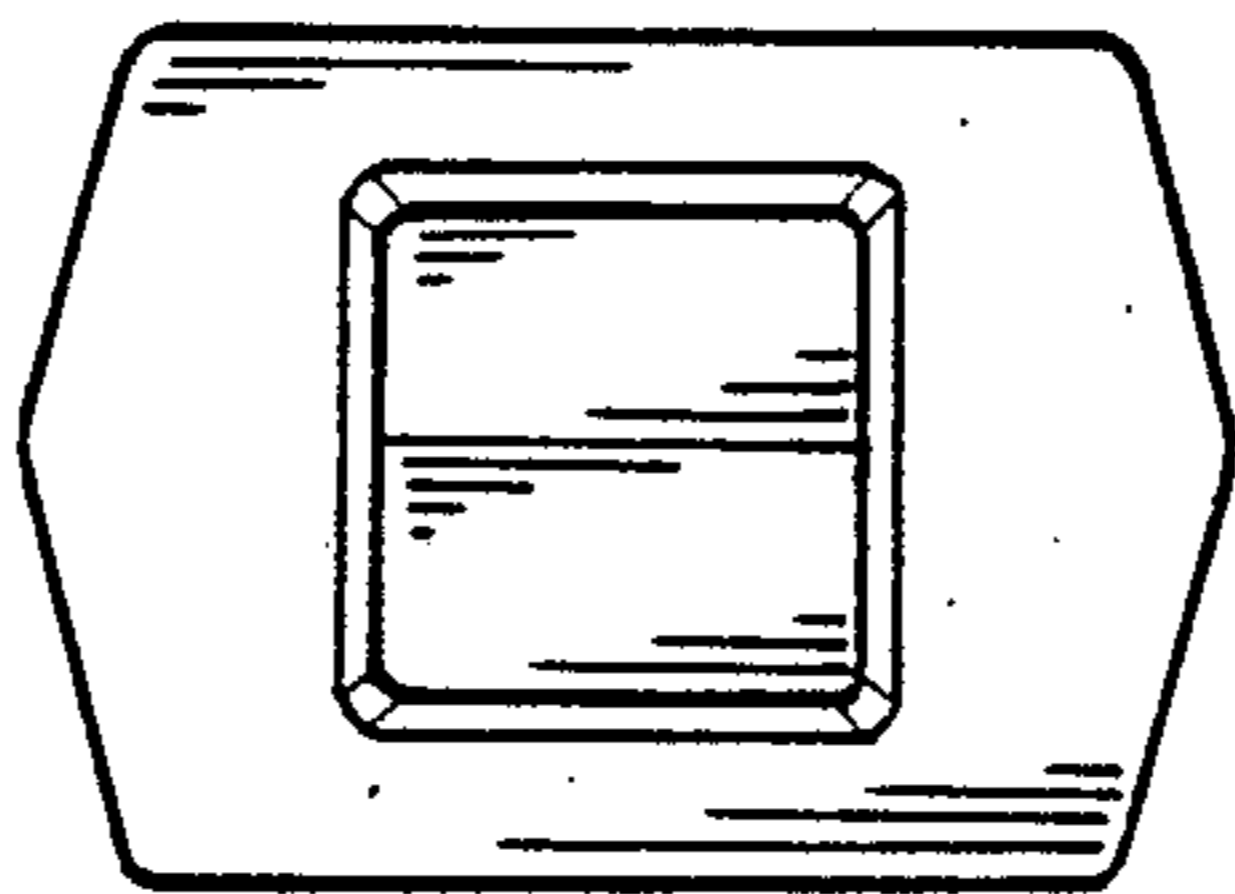


FIG. 7