

[54] COMBINED SNOW SHOVEL AND PUSHER

3,369,835 2/1968 Marino ..... 294/54.5

[75] Inventor: Mike Vosbikian, Medford, N.J.

Primary Examiner—Wallace R. Burke

Assistant Examiner—Brian N. Vinson

[73] Assignee: Hardware & Industrial Tool Co., Inc.,  
Cinnaminson, N.J.

Attorney, Agent, or Firm—Steele, Gould & Fried

[\*\*] Term: 14 Years

[57] CLAIM

[21] Appl. No.: 688,732

The ornamental design for a combined snow shovel and  
pusher, as shown and described.

[22] Filed: Jan. 4, 1985

DESCRIPTION

[52] U.S. Cl. .... D8/10

[58] Field of Search ..... D8/1, 7, 10; 294/49,  
294/54.5; D7/50, 99, 104

FIG. 1 is a perspective view of a combined snow shovel  
and pusher showing my new design, the broken-line  
showing of the portion of a handle being for illustrative  
purposes only, and forming no part of the claimed de-  
sign;

[56] References Cited

U.S. PATENT DOCUMENTS

|           |         |          |       |          |   |
|-----------|---------|----------|-------|----------|---|
| 84,797    | 12/1868 | Connolly | ..... | D8/10    | X |
| 355,648   | 1/1887  | Hudson   | ..... | 294/54.5 |   |
| 543,910   | 8/1895  | Torr     | ..... | 294/54.5 |   |
| 1,319,306 | 10/1919 | Rogers   | ..... | 294/54.5 | X |
| 1,930,000 | 10/1933 | Bulger   | ..... | 294/54.5 | X |

FIG. 2 is a front elevational view thereof;

FIG. 3 is a rear elevational view thereof;

FIG. 4 is a top plan view thereof;

FIG. 5 is a bottom plan view thereof; and

FIG. 6 is a left side elevational view thereof, the right  
side being a mirror image thereof.

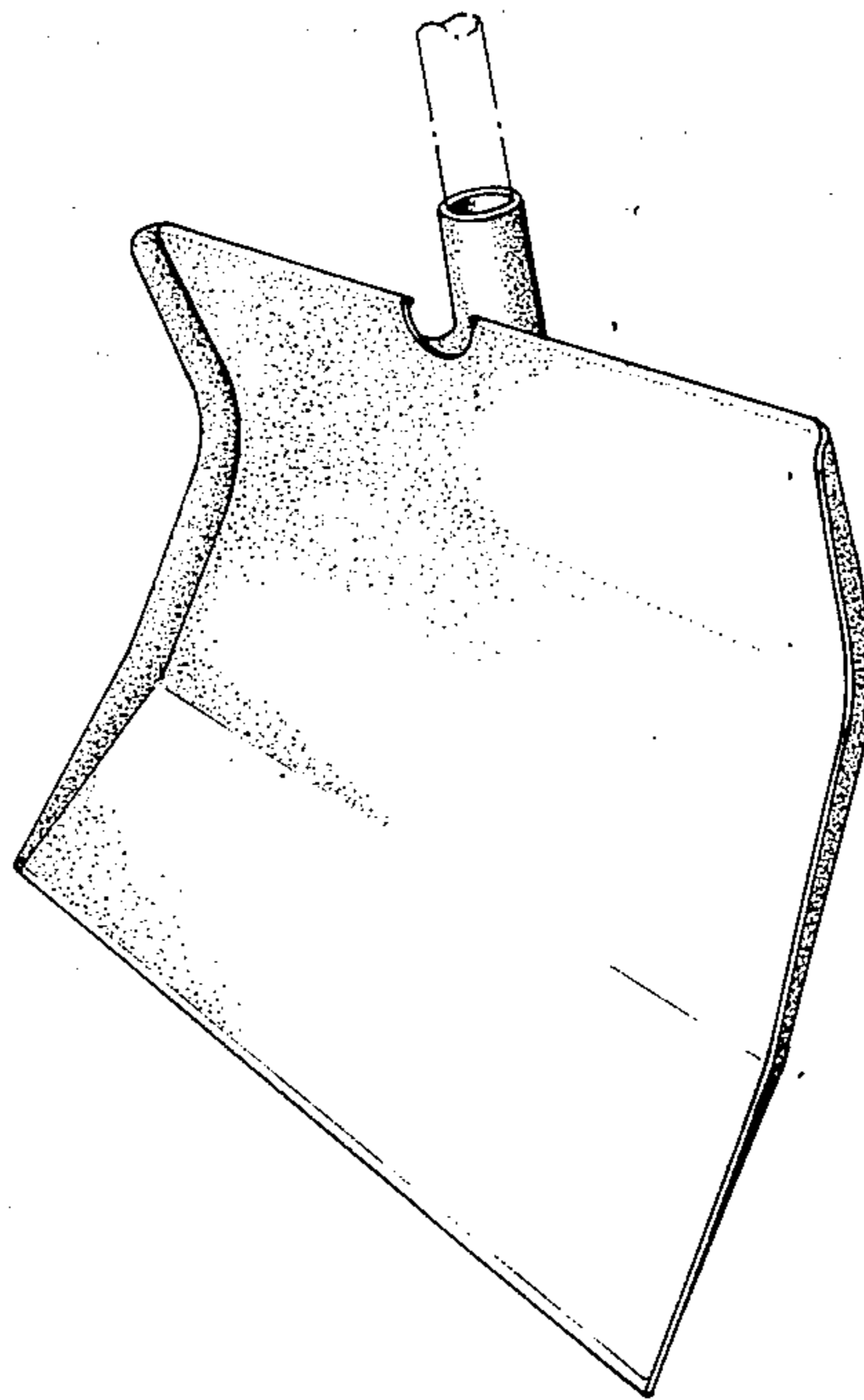


FIG. 1

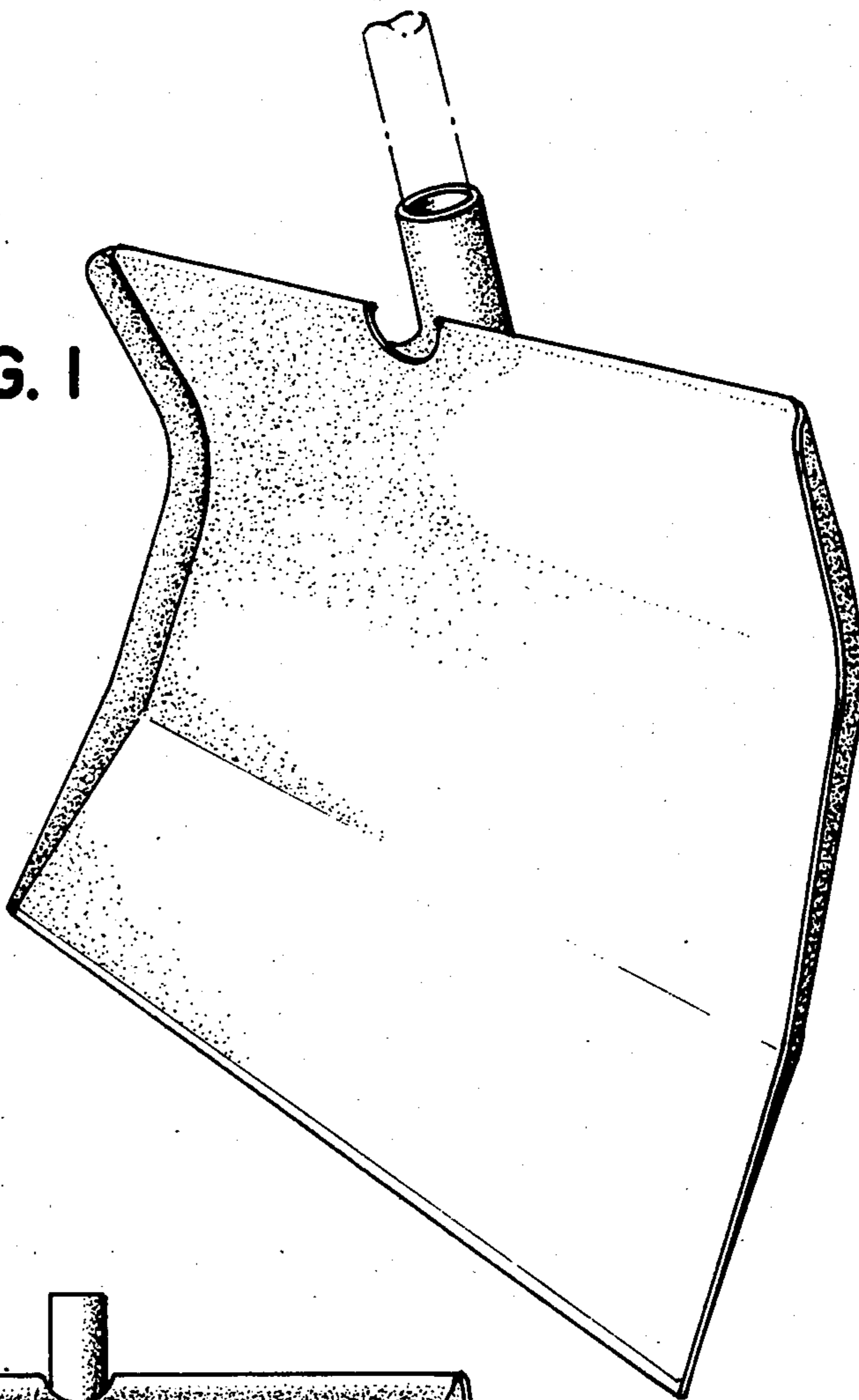


FIG. 2

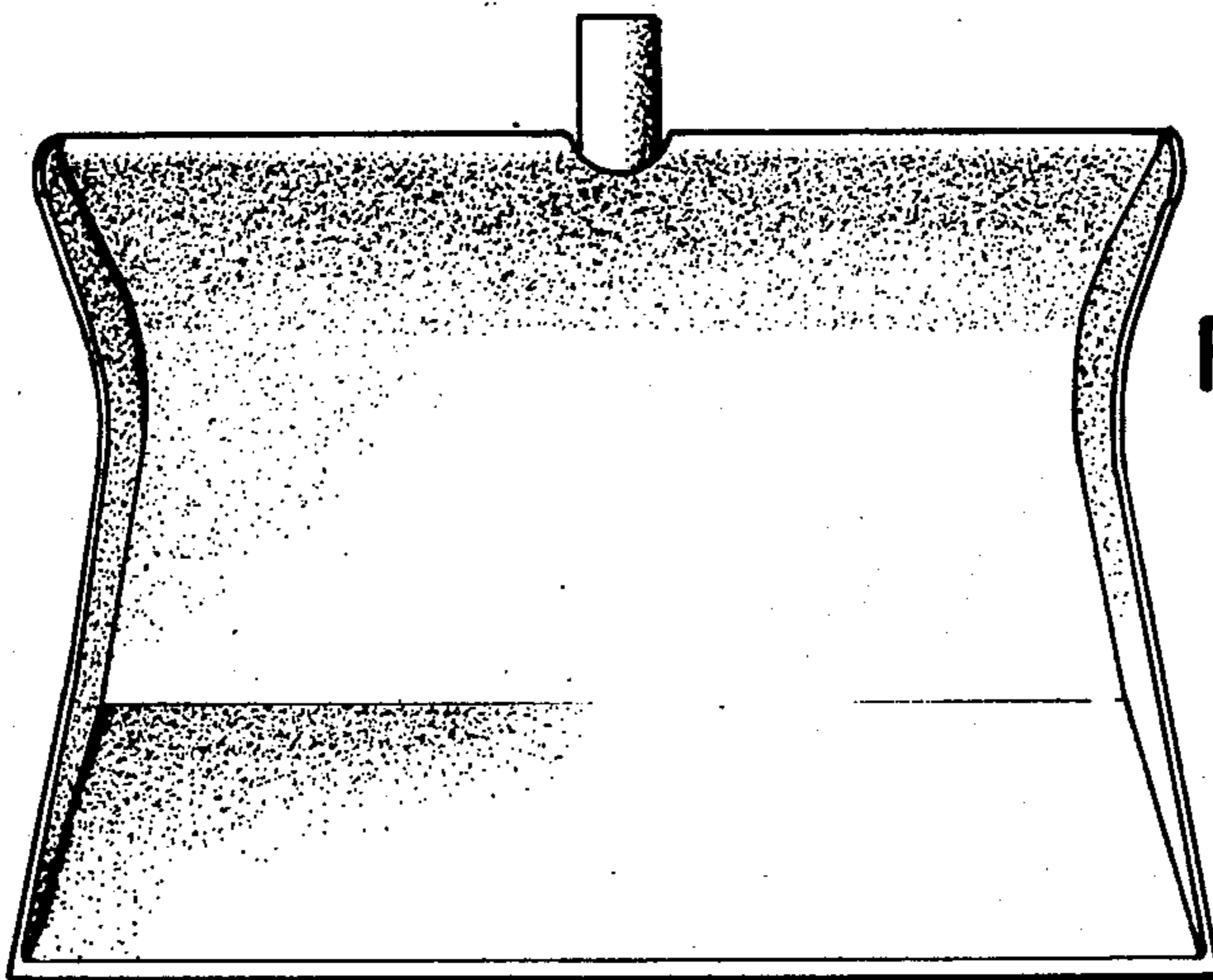


FIG. 3

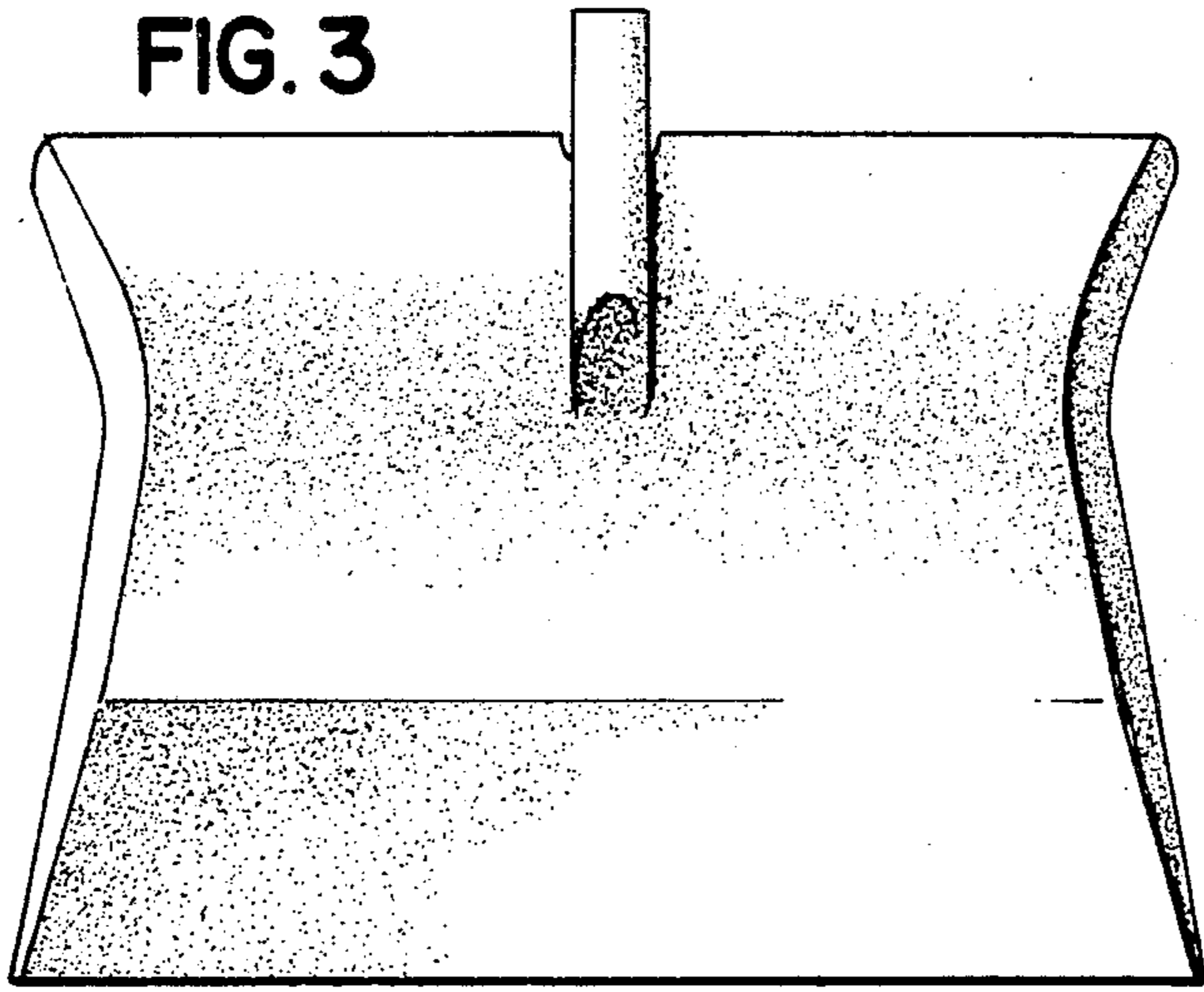


FIG. 6

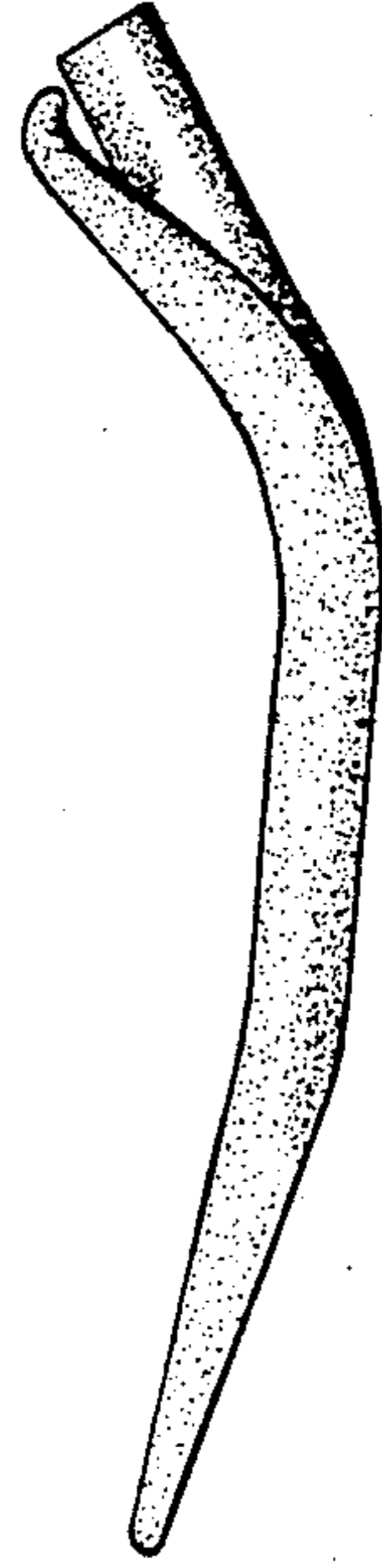


FIG. 4

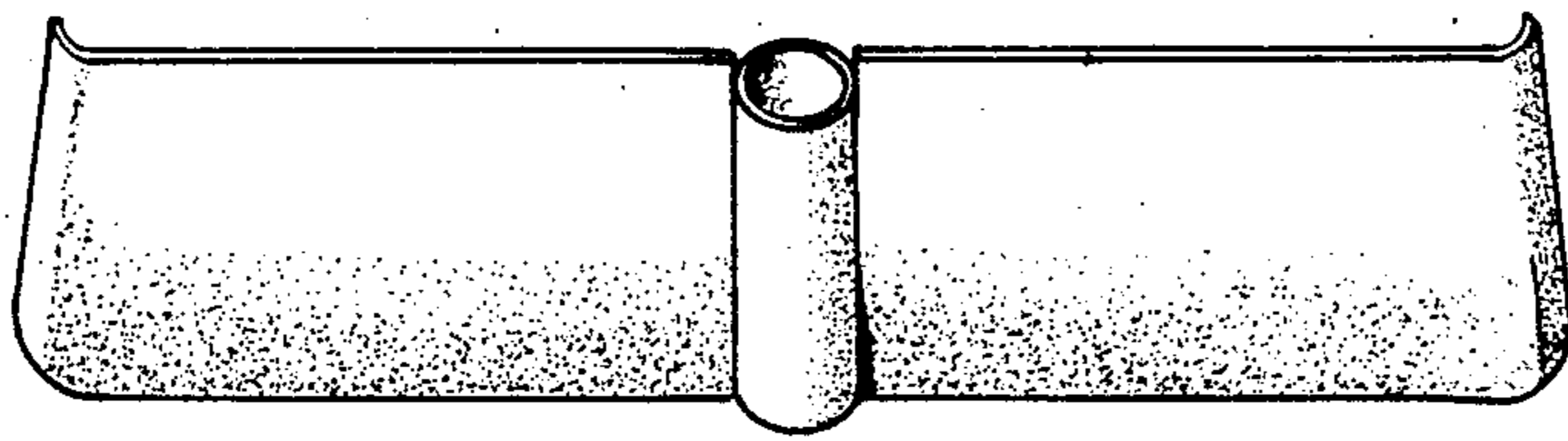


FIG. 5

