

[54] HOUSING FOR A RECHARGEABLE GARDEN TOOL

[75] Inventors: Charles R. Lewis, Jr., Newtown, Pa.; Donald R. McCloskey, Trappe, Md.

[73] Assignee: Black & Decker, Inc., Newark, Del.

[**] Term: 14 Years

[21] Appl. No.: 821,227

[22] Filed: Jan. 22, 1986

Related U.S. Application Data

[63] Continuation of Ser. No. 528,631, Sep. 1, 1983, abandoned.

[52] U.S. Cl. D8/8; D8/9

[58] Field of Search D8/1, 6, 7, 8; 320/2; 339/119 R, 119 C; 310/50; 30/208, 210, 228, 236, 272 R, 296 R, DIG. 7

References Cited

U.S. PATENT DOCUMENTS

D. 186,676	11/1959	Katzfey et al.	D8/8
D. 225,202	11/1972	Bartasevich	D8/8
D. 239,496	4/1976	Raffler et al.	D8/8
3,757,194	9/1973	Weber et al.	30/228
3,768,163	10/1973	Weber et al.	D8/9
3,883,789	5/1975	Achenbach et al.	30/DIG. 1
4,084,123	4/1978	Lineback et al.	320/2
4,225,814	9/1980	Gantz et al.	370/2
4,467,263	8/1984	Conforti et al.	320/2

OTHER PUBLICATIONS

Hardware Age; 2/1961; p. 21; Lawnmate Hedge Trimmer Model 1310.

Primary Examiner—B. J. Bullock
Attorney, Agent, or Firm—Finnegan, Henderson, Farabow, Garrett & Dunner

CLAIM

The ornamental design for the housing for a rechargeable garden tool, as shown and described.

DESCRIPTION

FIG. 1 is a right side view of a rechargeable garden tool showing our new design as embodied in a grass shear, the side opposite being a mirror image, with the blade configuration being shown in phantom for illustrative purposes only;

FIG. 2 is a front view thereof;

FIG. 3 is a rear view thereof;

FIG. 4 is a top view thereof;

FIG. 5 is a bottom view thereof;

FIG. 6 is a right side view of a second embodiment of the design of FIG. 1 as embodied in a hedge trimmer, the side opposite being a mirror image, with the blade configuration being shown in phantom for illustrative purposes only;

FIG. 7 is a front view of FIG. 6;

FIG. 8 is a rear view of FIG. 6;

FIG. 9 is a top view of FIG. 6;

FIG. 10 is a bottom view of FIG. 6.

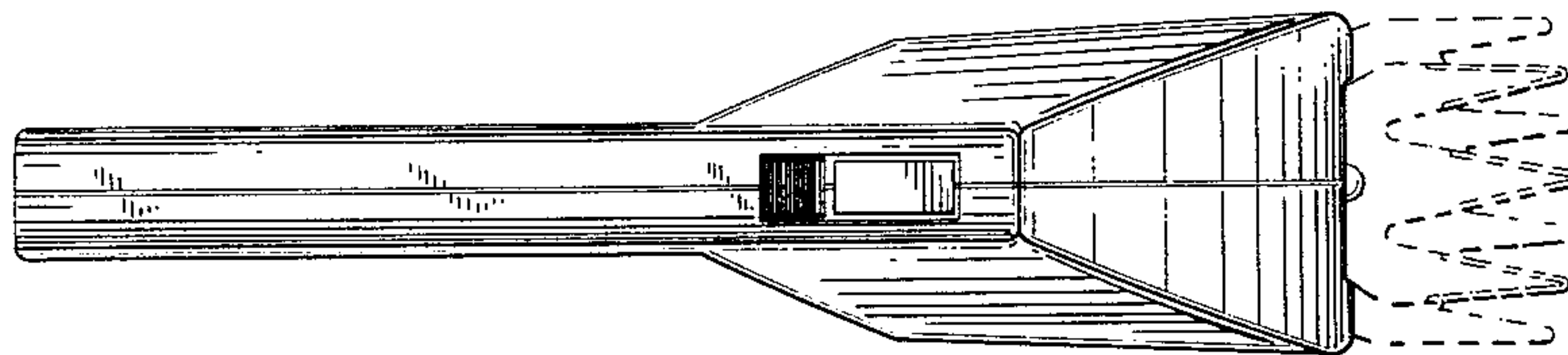
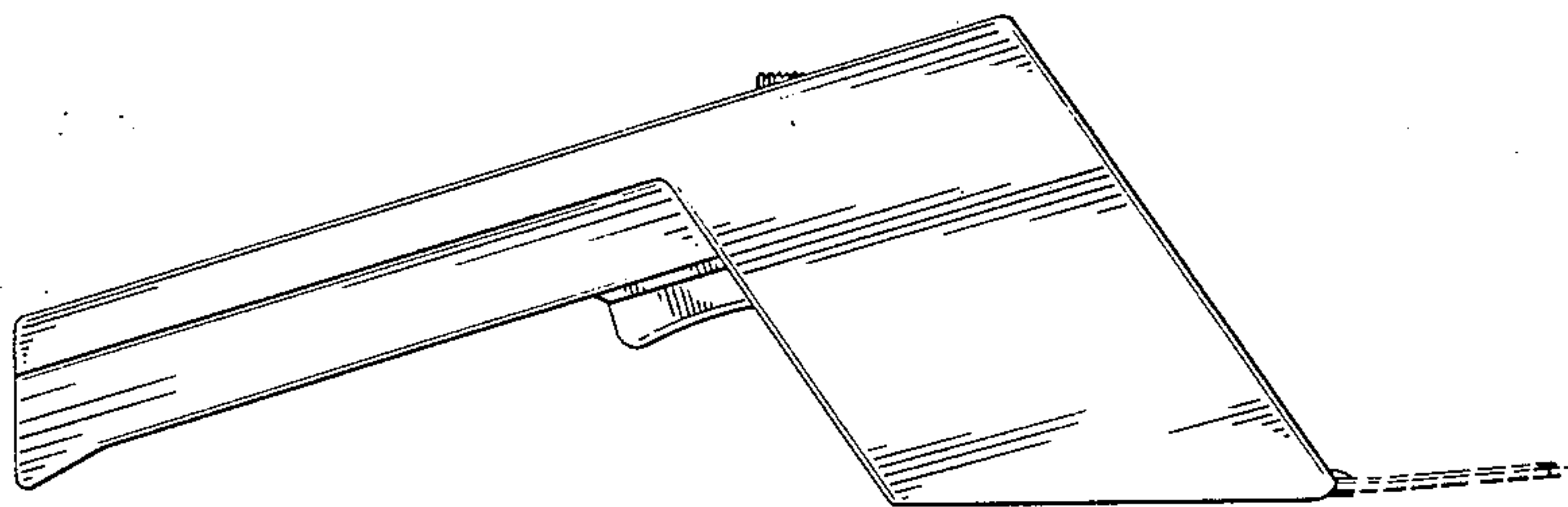


FIG. 1

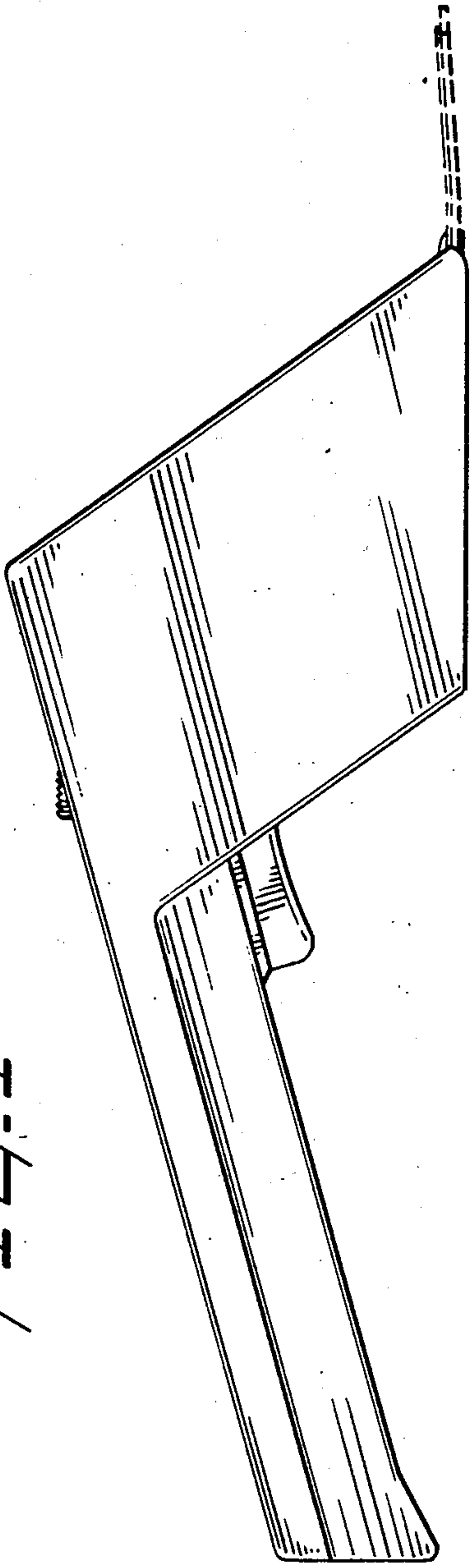


FIG. 2

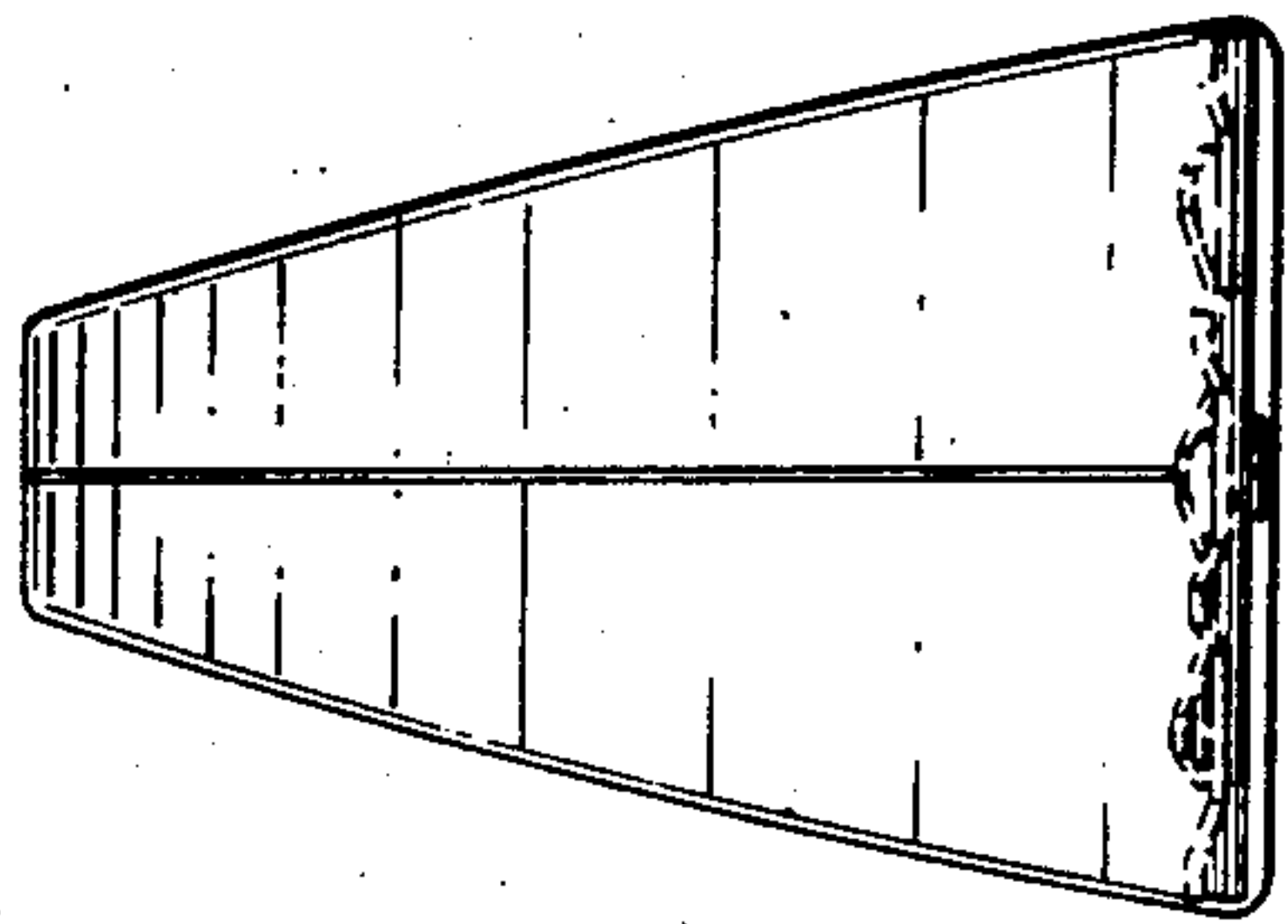


FIG. 3

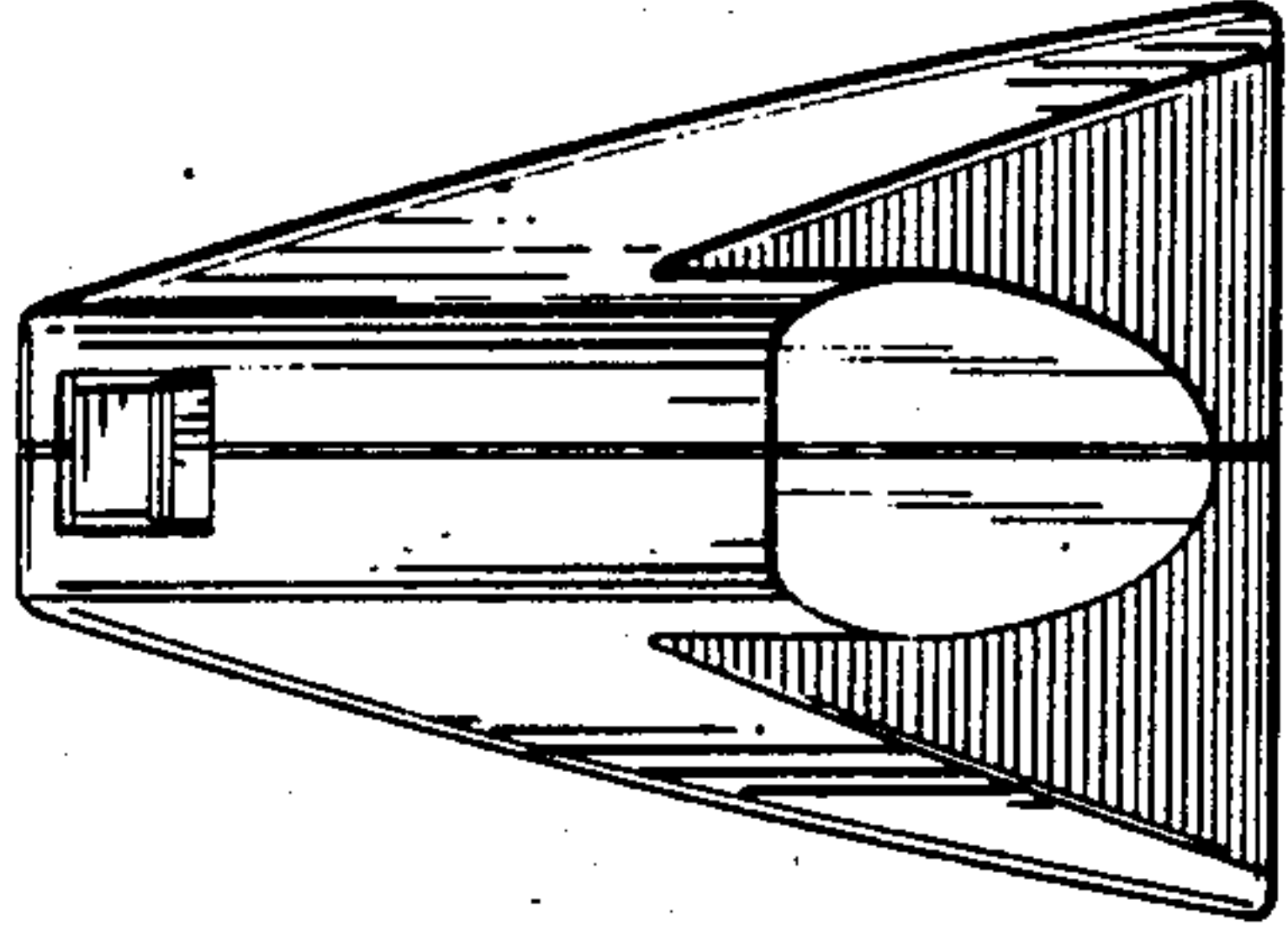


FIG. 4

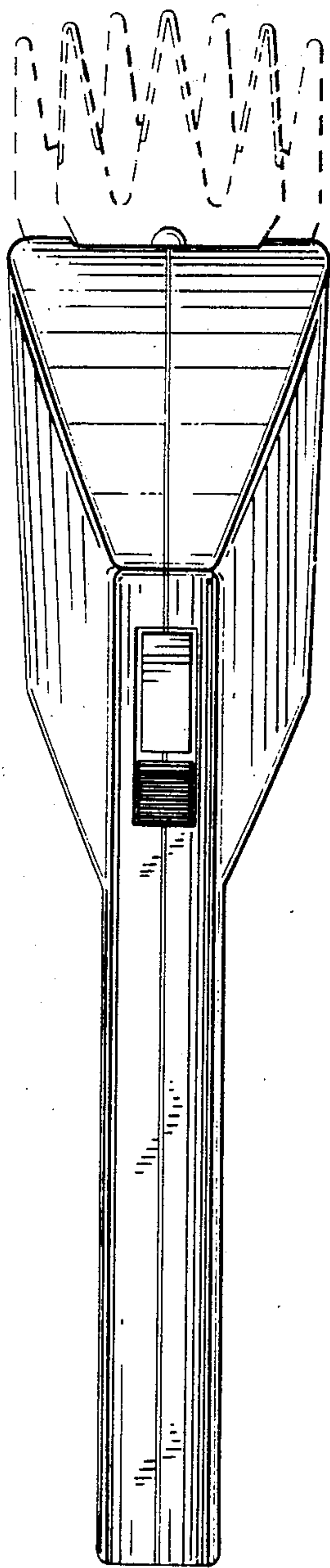


FIG. 5

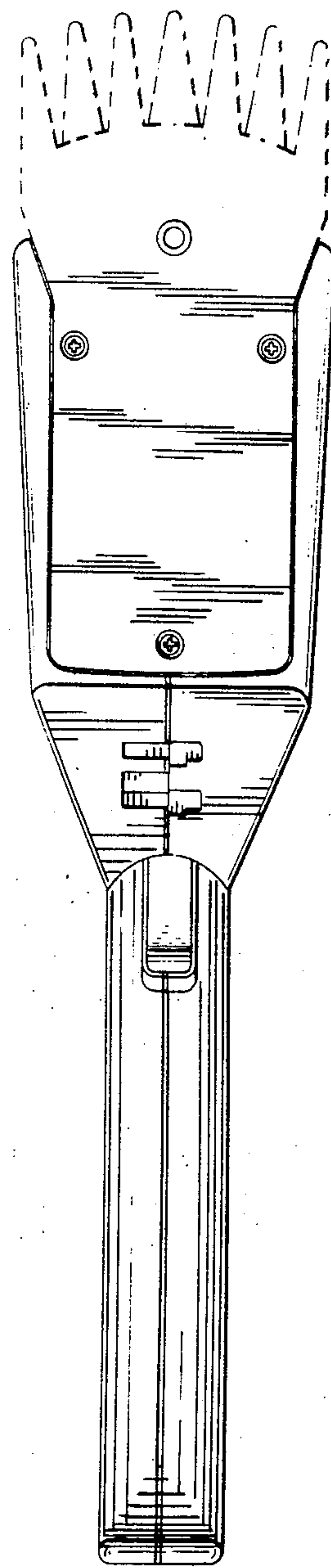


FIG. 6

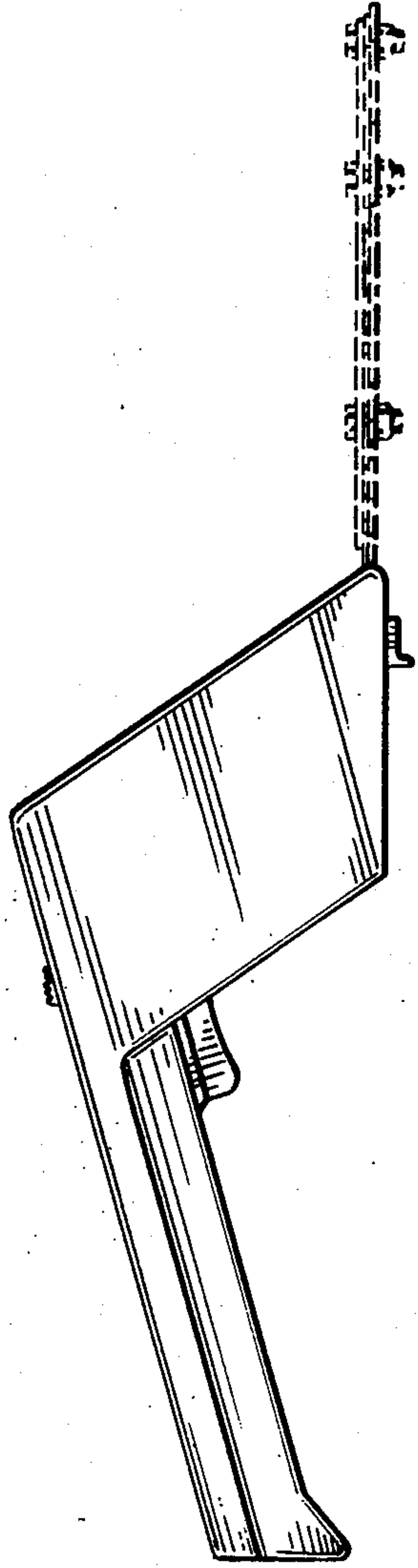


FIG. 8

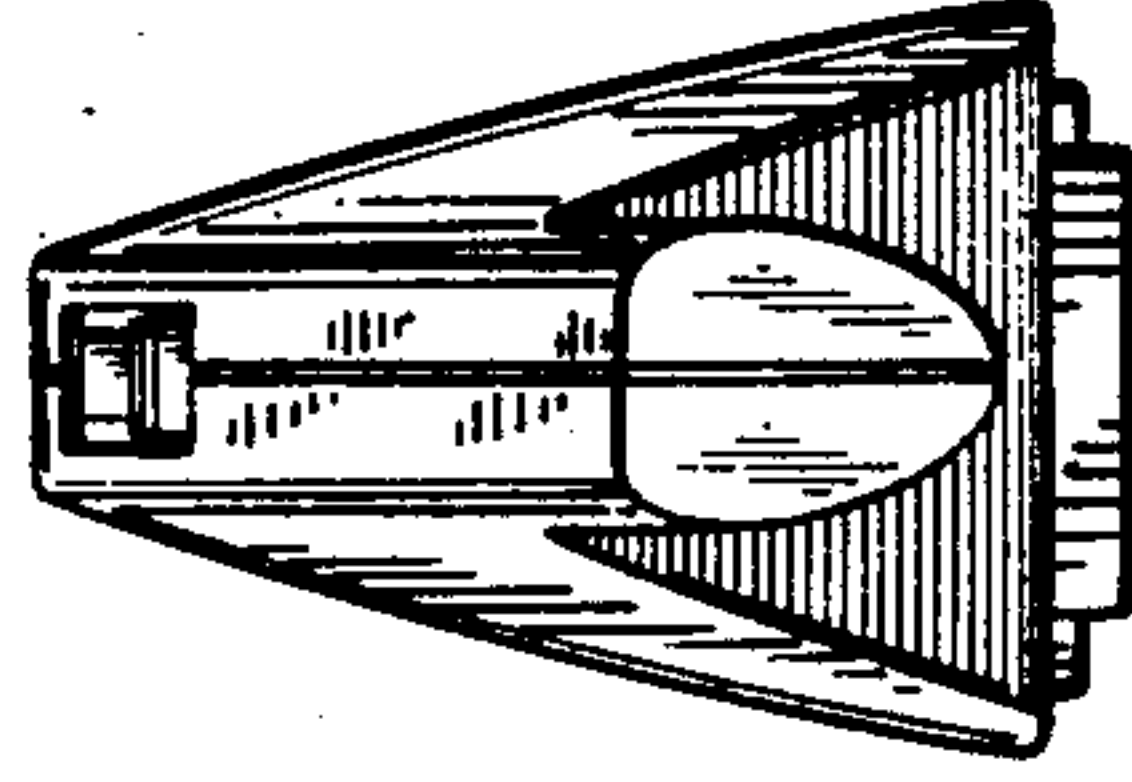
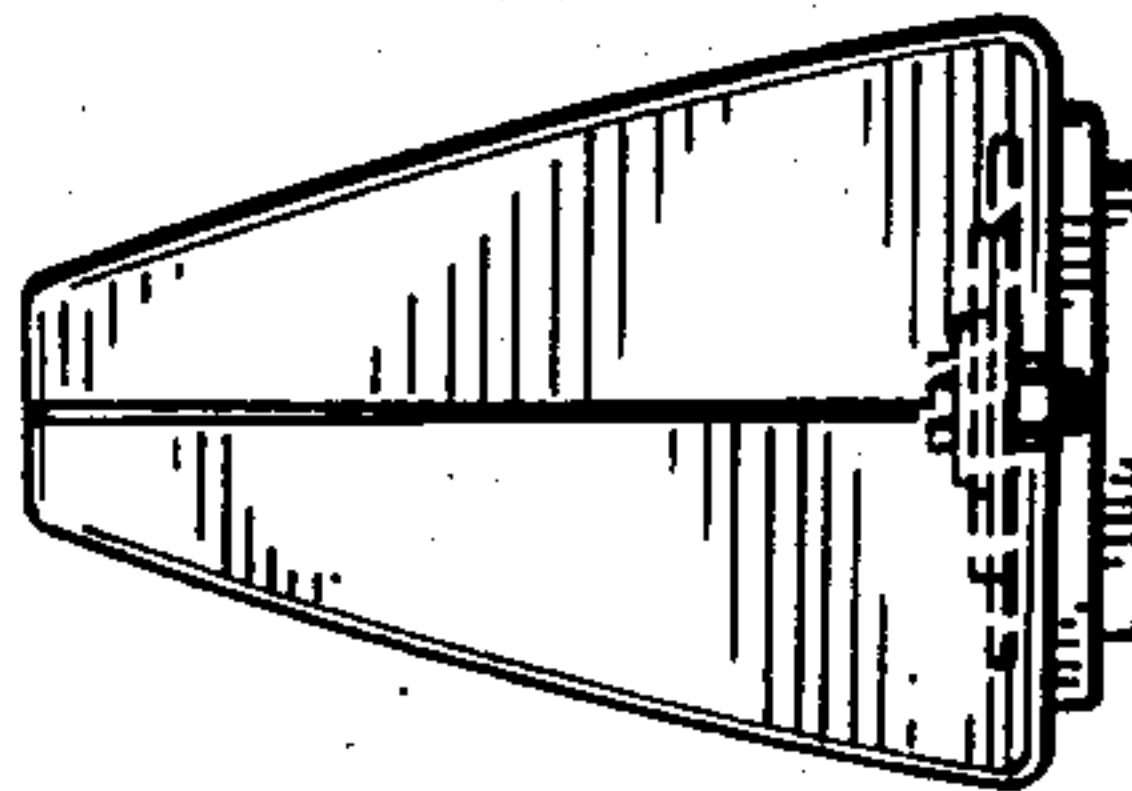


FIG. 7



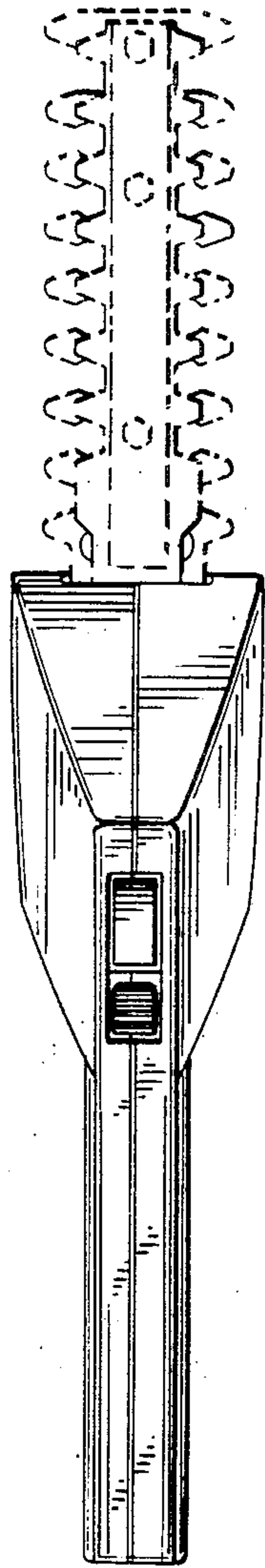


FIG. 9

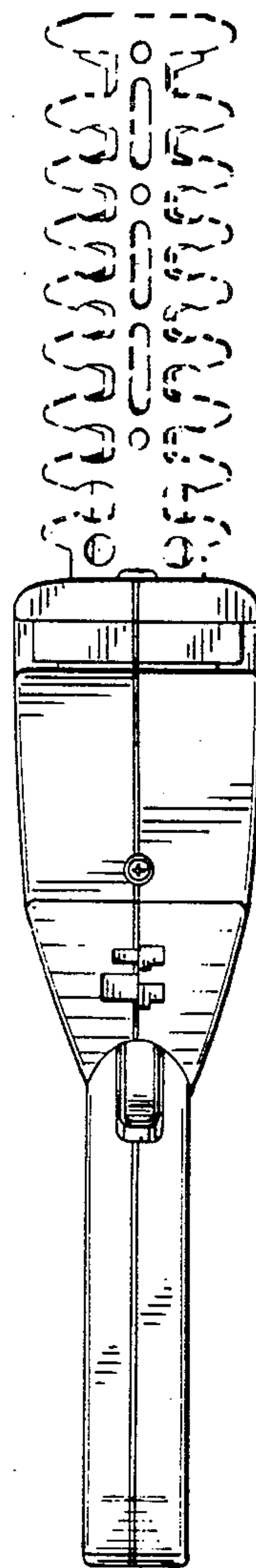


FIG. 10