

[54] FOOD MIXER

[75] Inventor: Ian G. Wilson, New South Wales, Australia

[73] Assignee: Sunbeam Corporation, Downers Grove, Ill.

[**] Term: 14 Years

[21] Appl. No.: 653,378

[22] Filed: Sep. 21, 1984

[52] U.S. Cl. D7/379

[58] Field of Search D7/379, 386, 412; 241/92; 366/292, 279, 129, 343

[56] References Cited

U.S. PATENT DOCUMENTS

- D. 170,130 8/1953 Moore D7/379
- D. 195,424 6/1963 Cabell D7/379
- D. 209,072 10/1967 Duncan D7/379

- D. 265,166 6/1982 Ernest et al. D7/386
- D. 279,858 7/1985 Janssens D7/412
- 2,632,635 3/1953 Van Guilder 366/129
- 4,070,711 1/1978 Smader 366/343 X

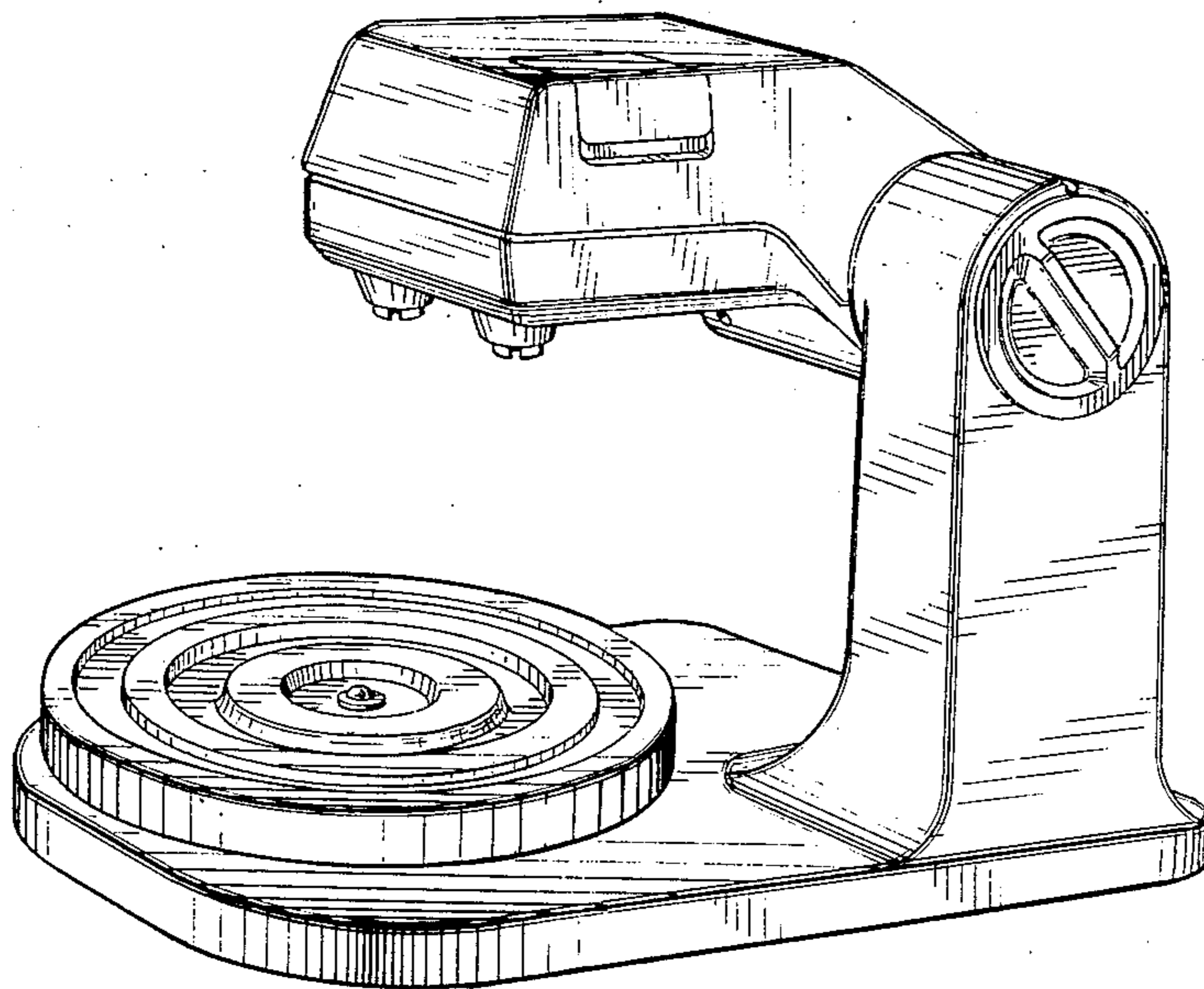
Primary Examiner—Bernard Ansher
Assistant Examiner—Linda Titolo
Attorney, Agent, or Firm—Neil M. Rose

[57] CLAIM

The ornamental design for a food mixer, as shown and described.

DESCRIPTION

FIG. 1 is a top front and right side perspective view of a food mixer, showing my new design;
FIG. 2 is a right side elevational view thereof;
FIG. 3 is a top plan view thereof;
FIG. 4 is a front elevational view thereof;
FIG. 5 is a rear elevational view thereof;
FIG. 6 is a left side elevational view thereof; and
FIG. 7 is a bottom plan view thereof.



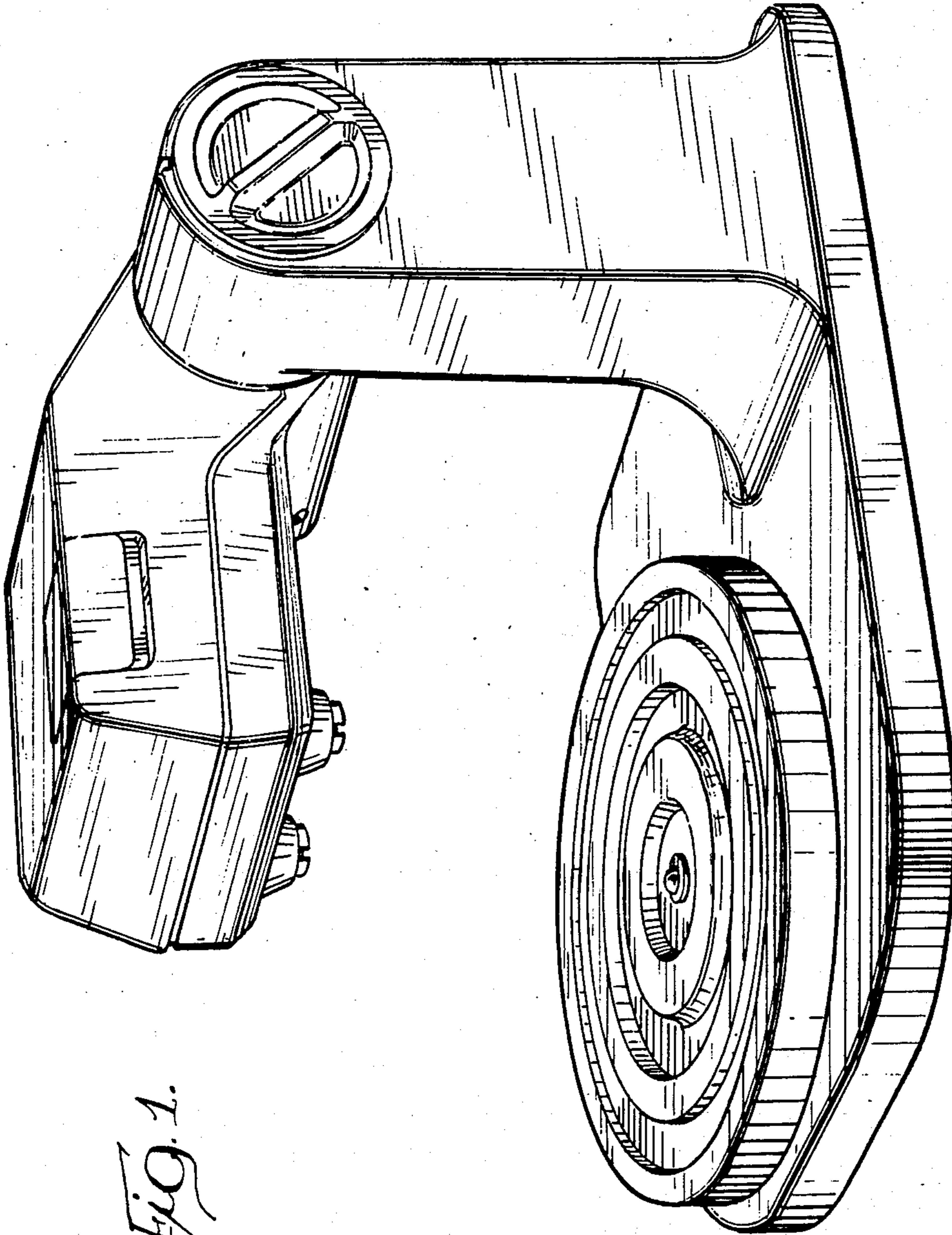


Fig. 1.

FIG. 2.

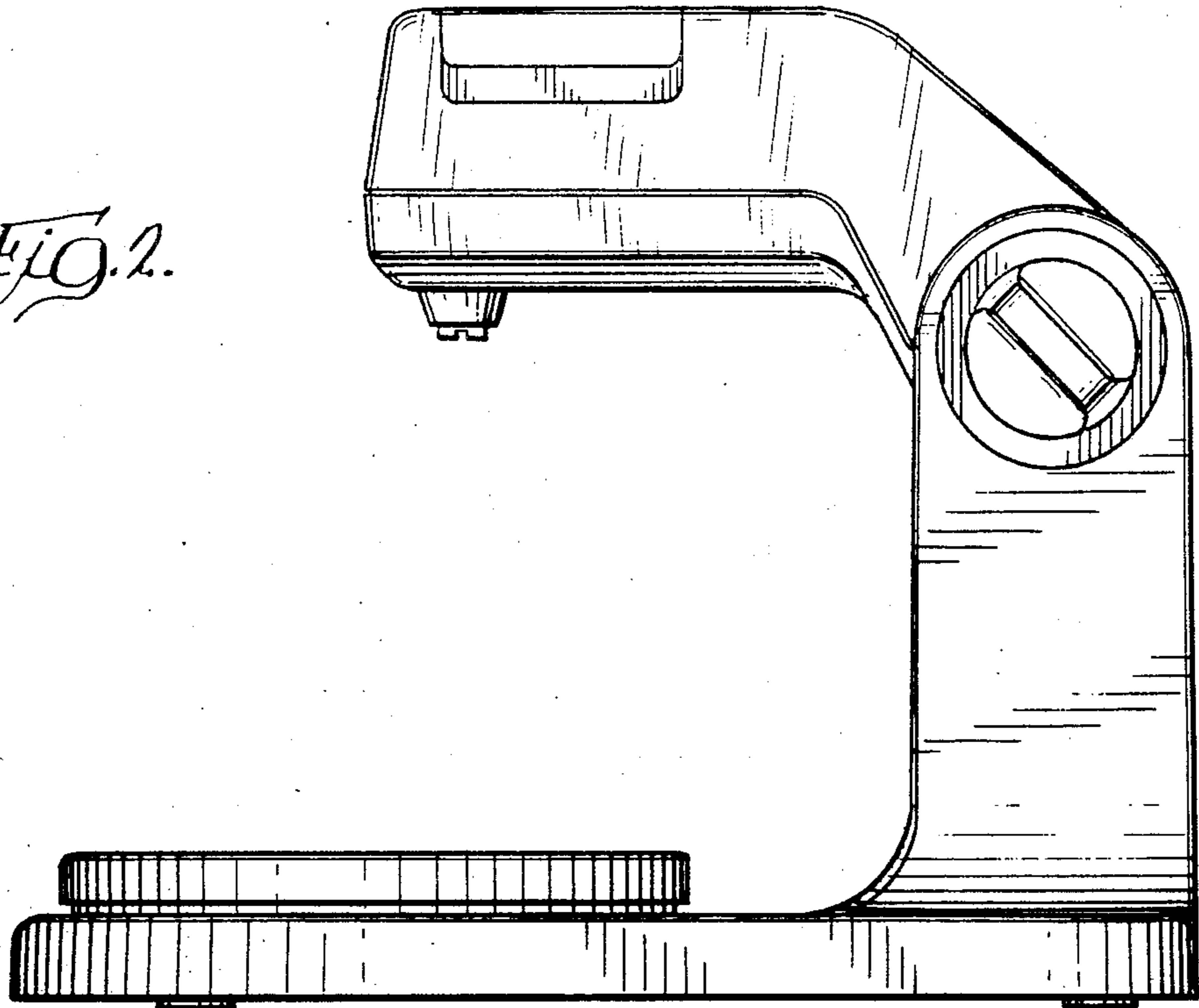


FIG. 3.

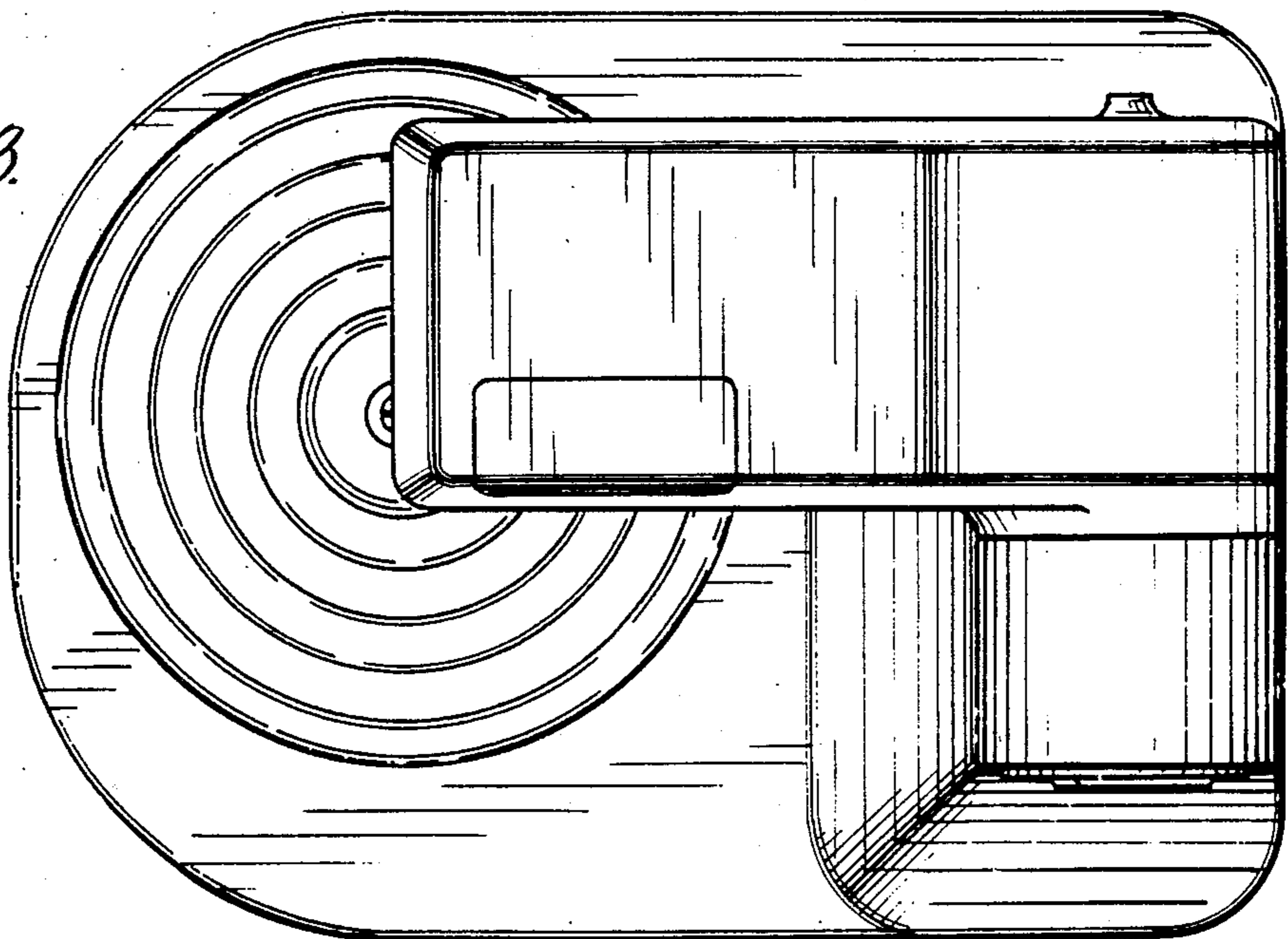


FIG. 4

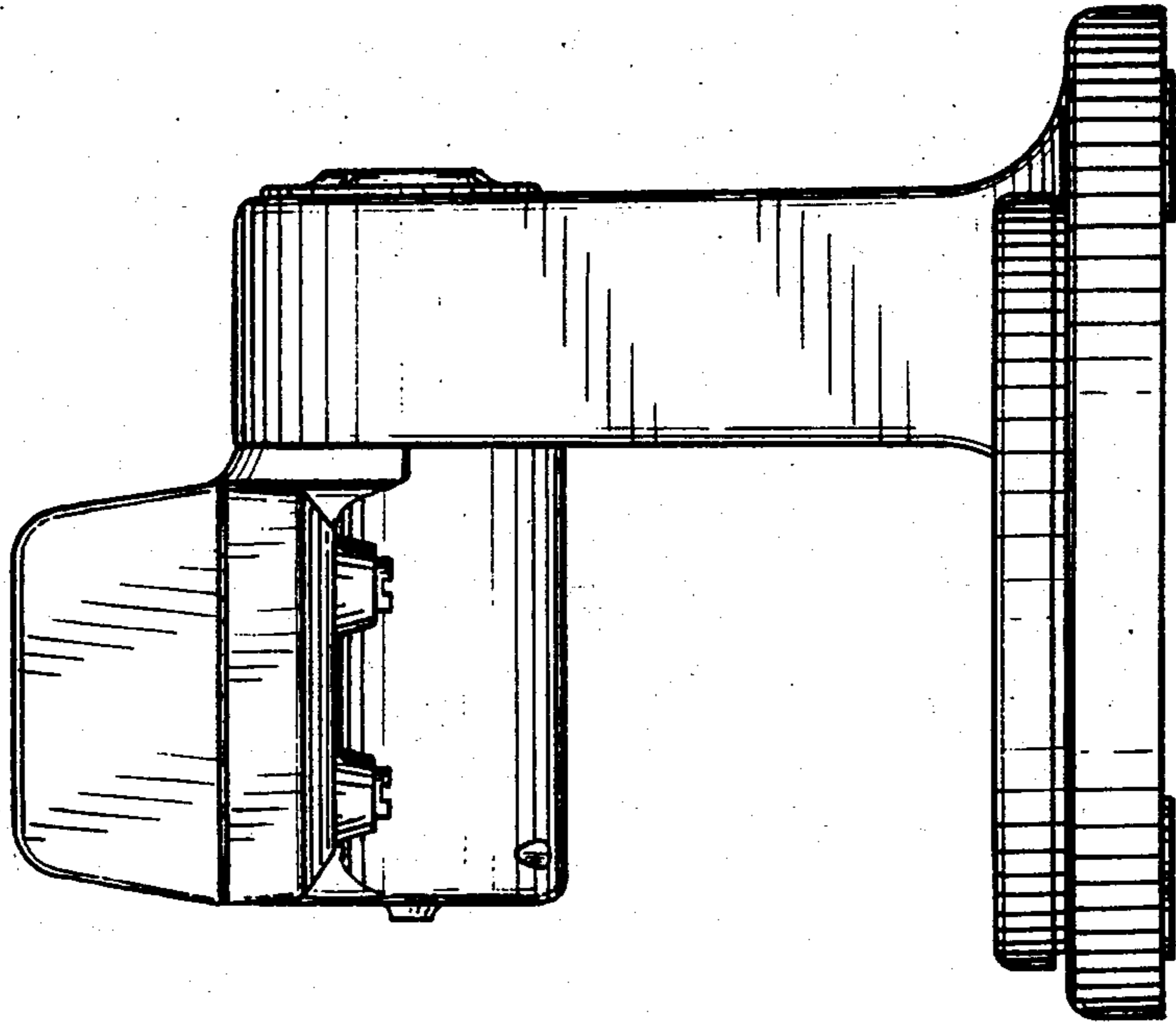


FIG. 5

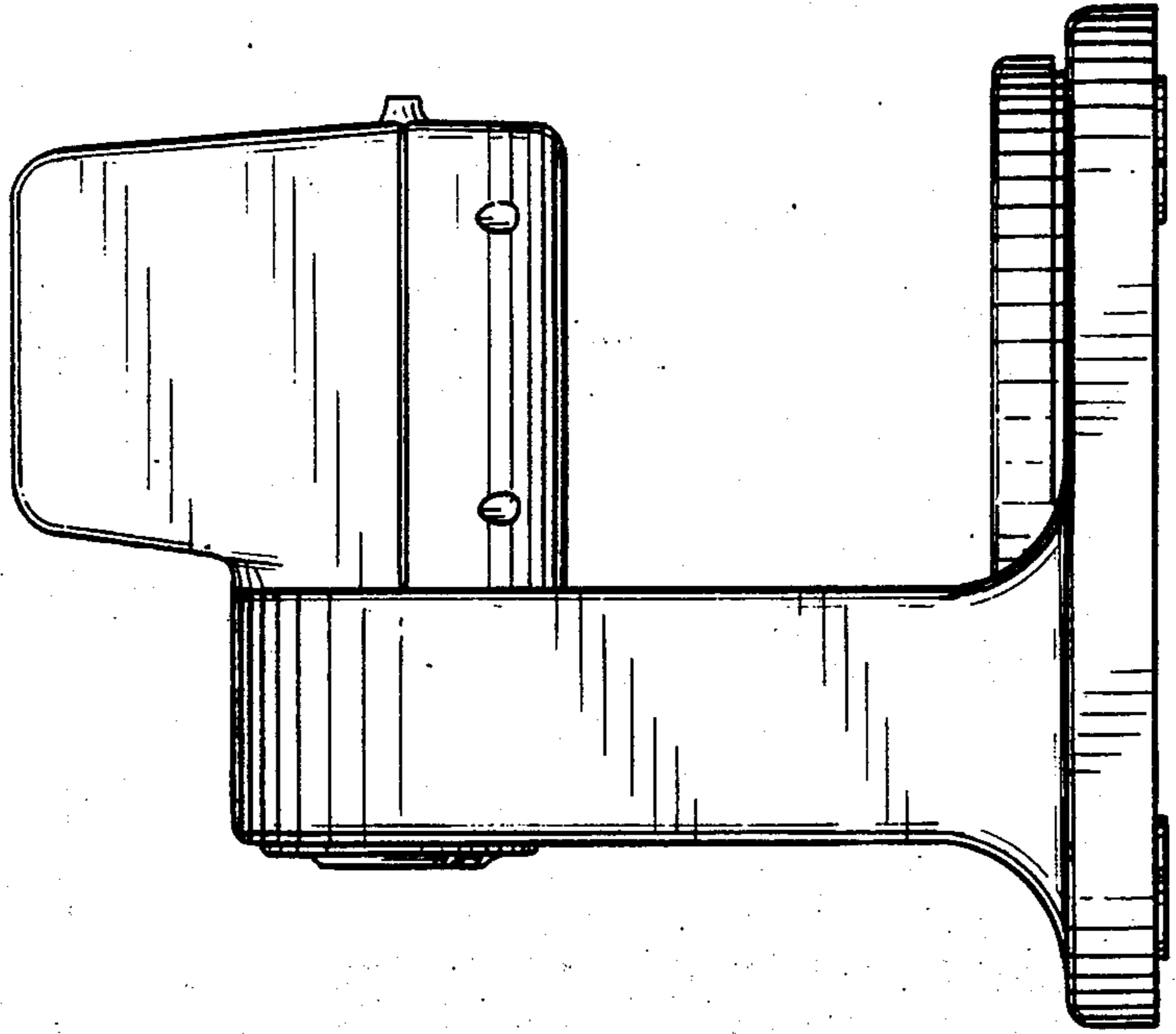


FIG. 6.

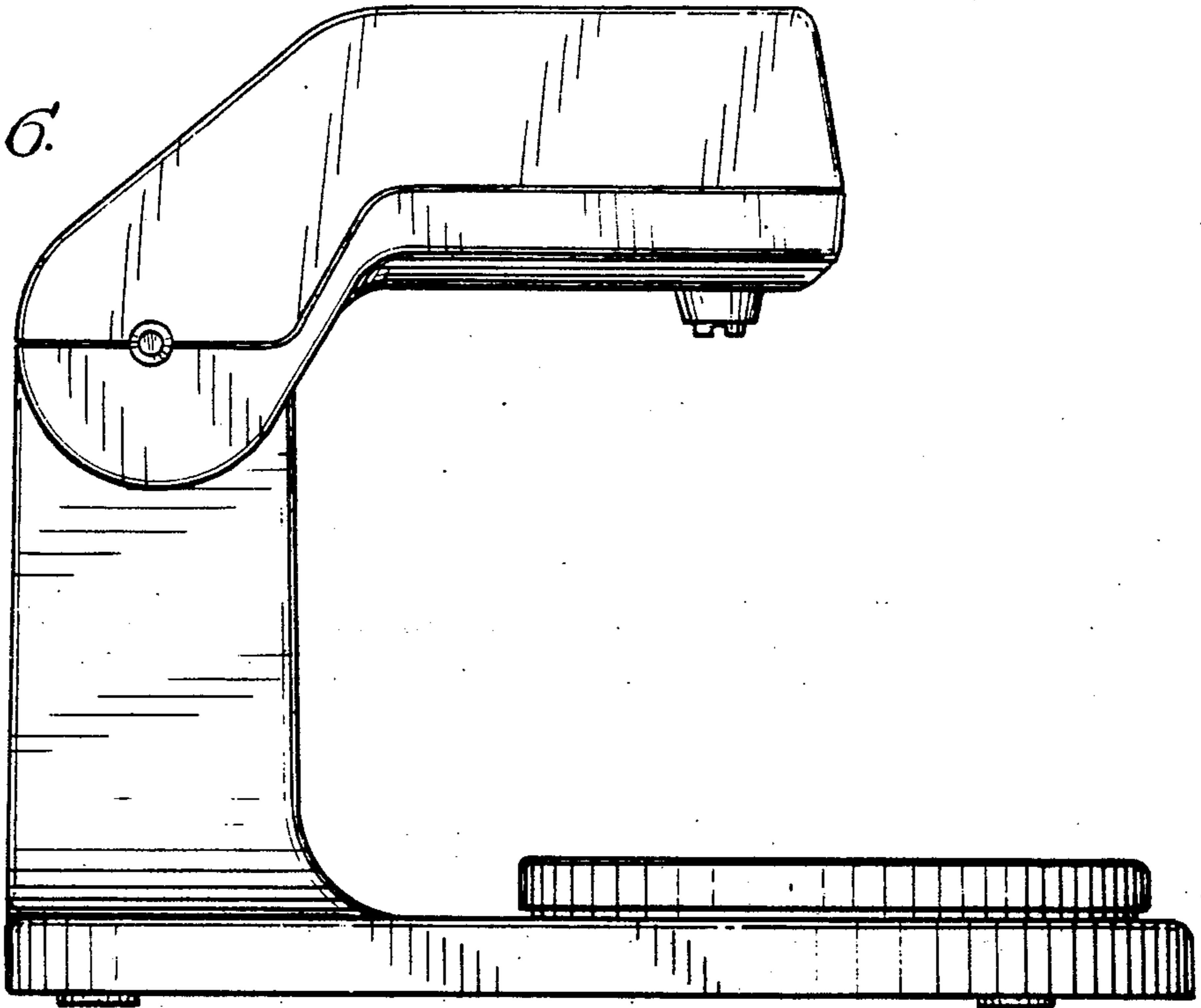


FIG. 7.

