

[54] DISPLAY SHELF

[75] Inventor: Stanton J. Canter, Carversville, Pa.

[73] Assignee: Diversified Group, Inc., Teleford, Pa.

[**] Term: 14 Years

[21] Appl. No.: 633,245

[22] Filed: Jul. 23, 1984

[52] U.S. Cl. D6/511; D6/474

[58] Field of Search D6/509, 510, 511, 474, D6/475, 466, 465, 462; 211/13, 184, 175, 11

[56] References Cited

U.S. PATENT DOCUMENTS

- D. 219,350 12/1970 Rivenbark D6/511
- D. 280,165 8/1985 Silver D6/509
- D. 283,473 4/1986 Silver D6/511

Primary Examiner—Carmen H. Vales

Attorney, Agent, or Firm—Benasutti & Murray

[57] CLAIM

The ornamental design for a display shelf, as shown and described.

DESCRIPTION

FIG. 1 is a left front perspective view of a display shelf showing my new design;

FIG. 2 is a top plan view thereof;

FIG. 3 is a left side elevational view thereof;

FIG. 4 is a front elevational view thereof;

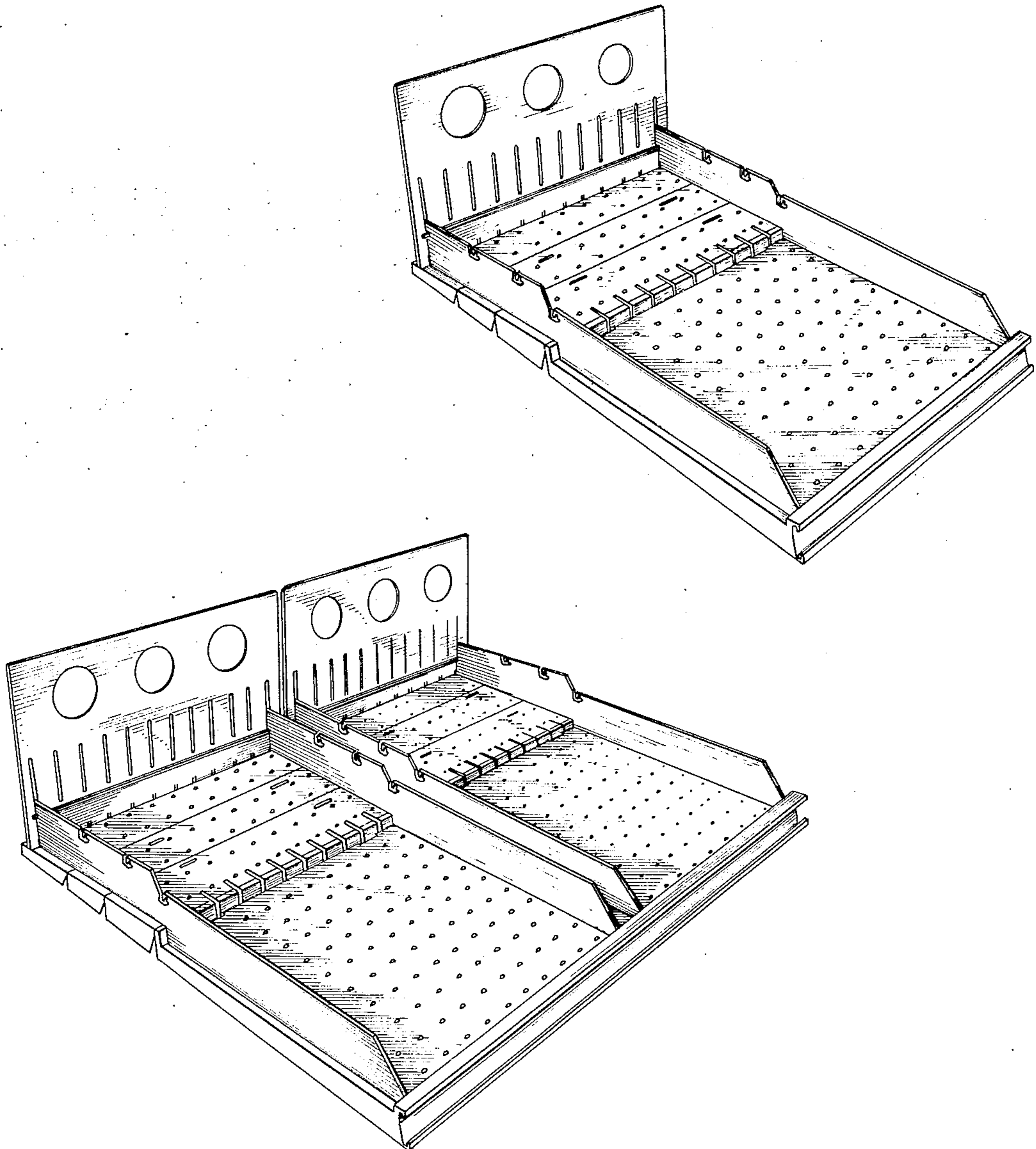
FIG. 5 is a left front perspective view of a modified form of the display shelf shown in FIG. 1, the opposite side being a mirror image thereof;

FIG. 6 is a left front perspective view with the side walls removed for convenience of illustration;

FIG. 7 is a left side elevational view thereof;

FIG. 8 is a left front perspective view with the side walls and rear panel removed for convenience of illustration; and

FIG. 9 is a left side elevational view thereof.



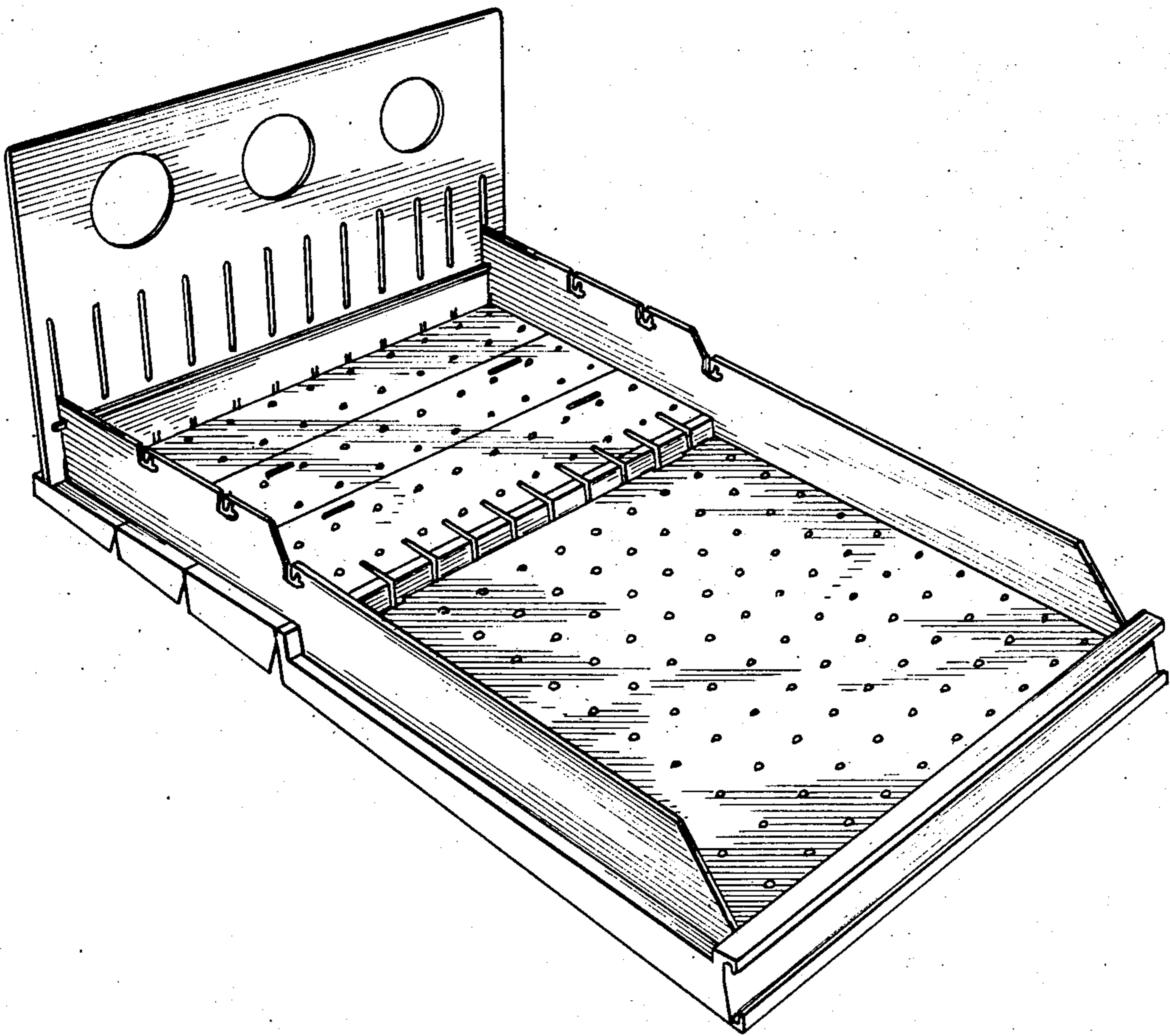


Fig. 1

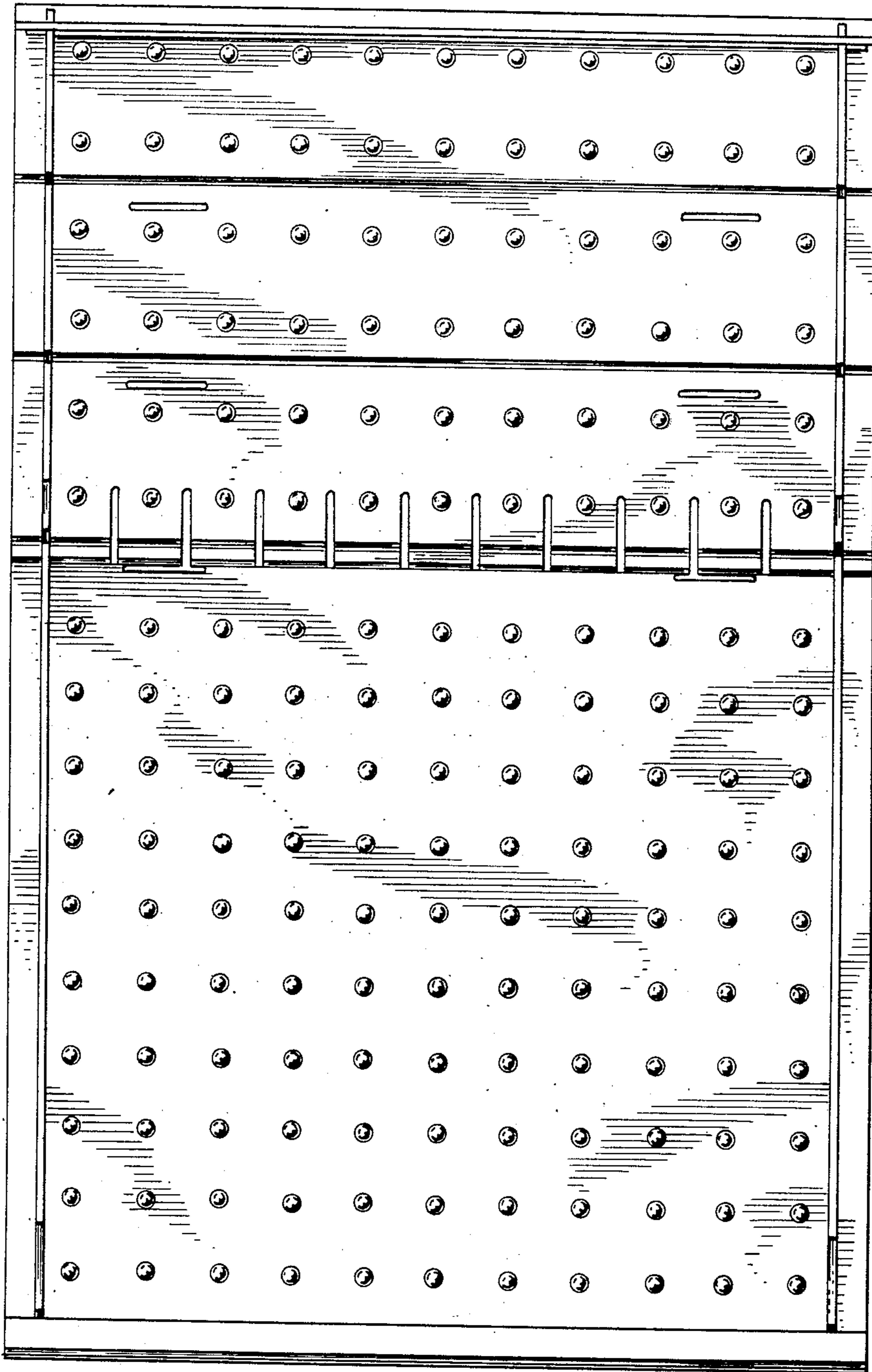


Fig. 2

Fig. 3

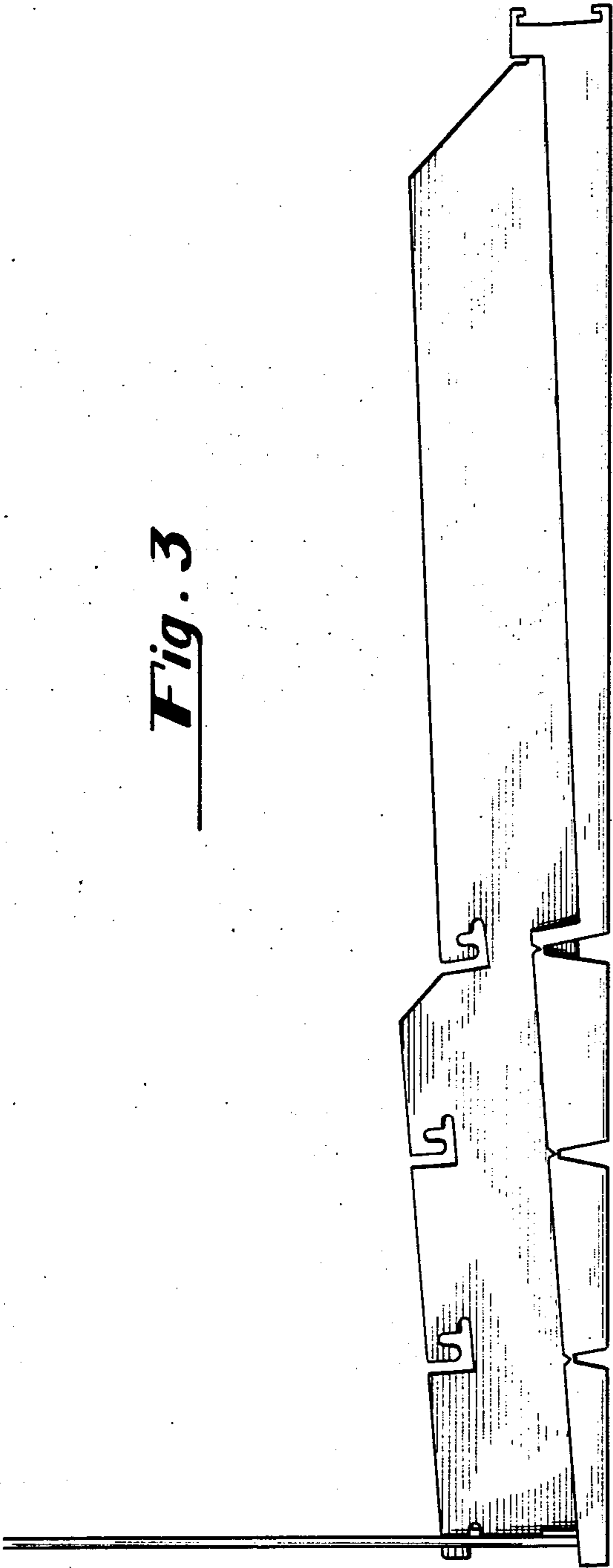
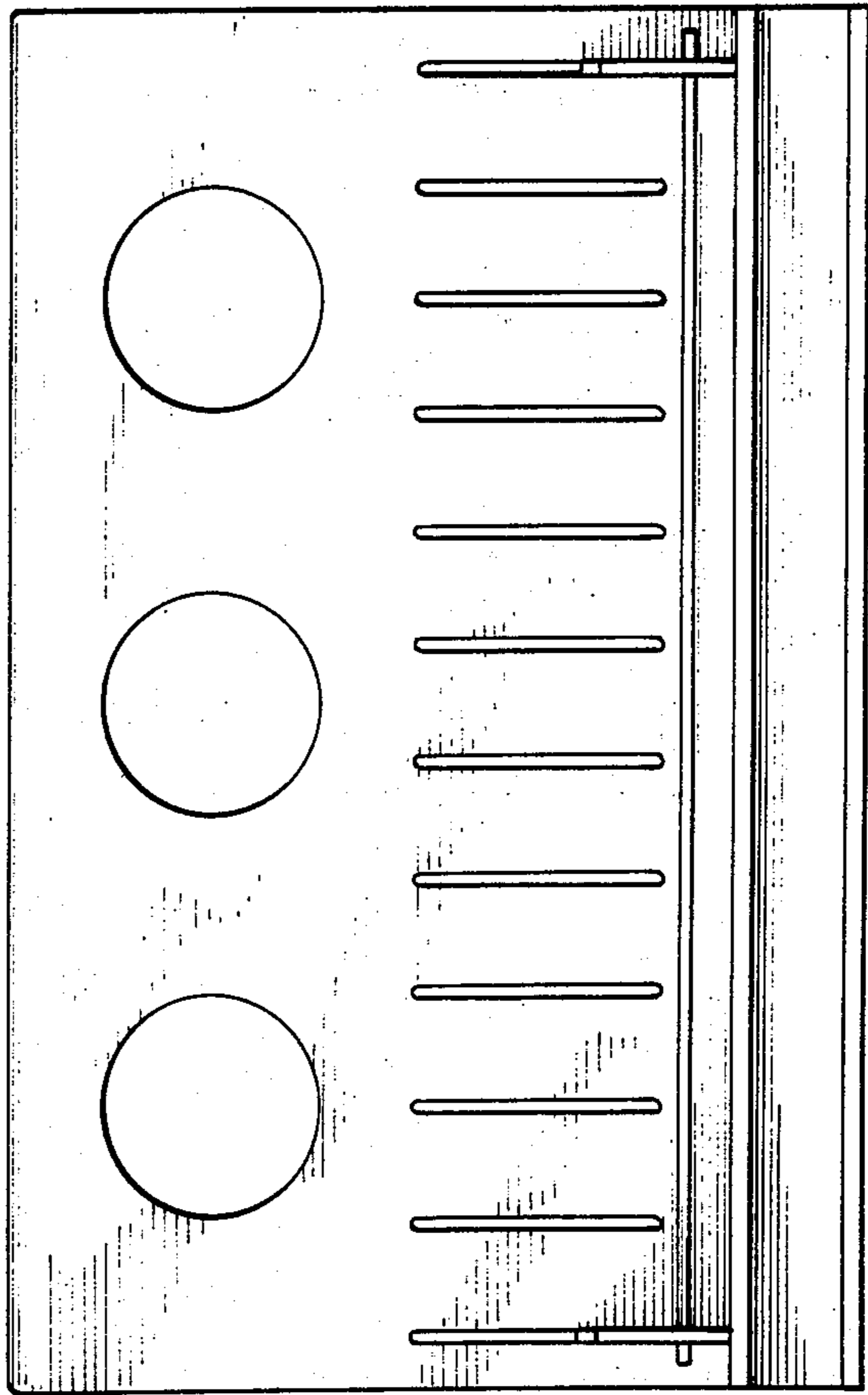


Fig. 4



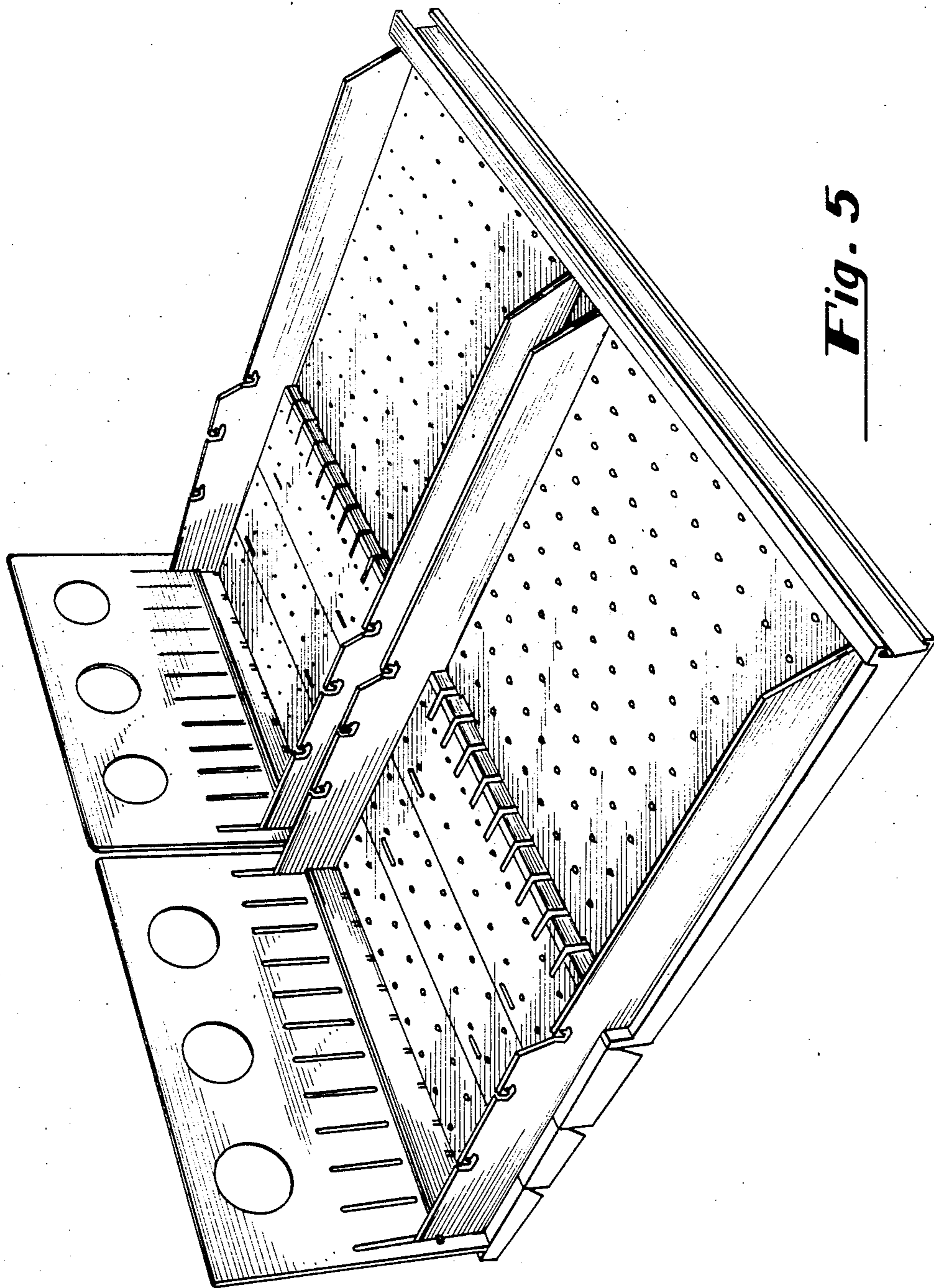


Fig. 5

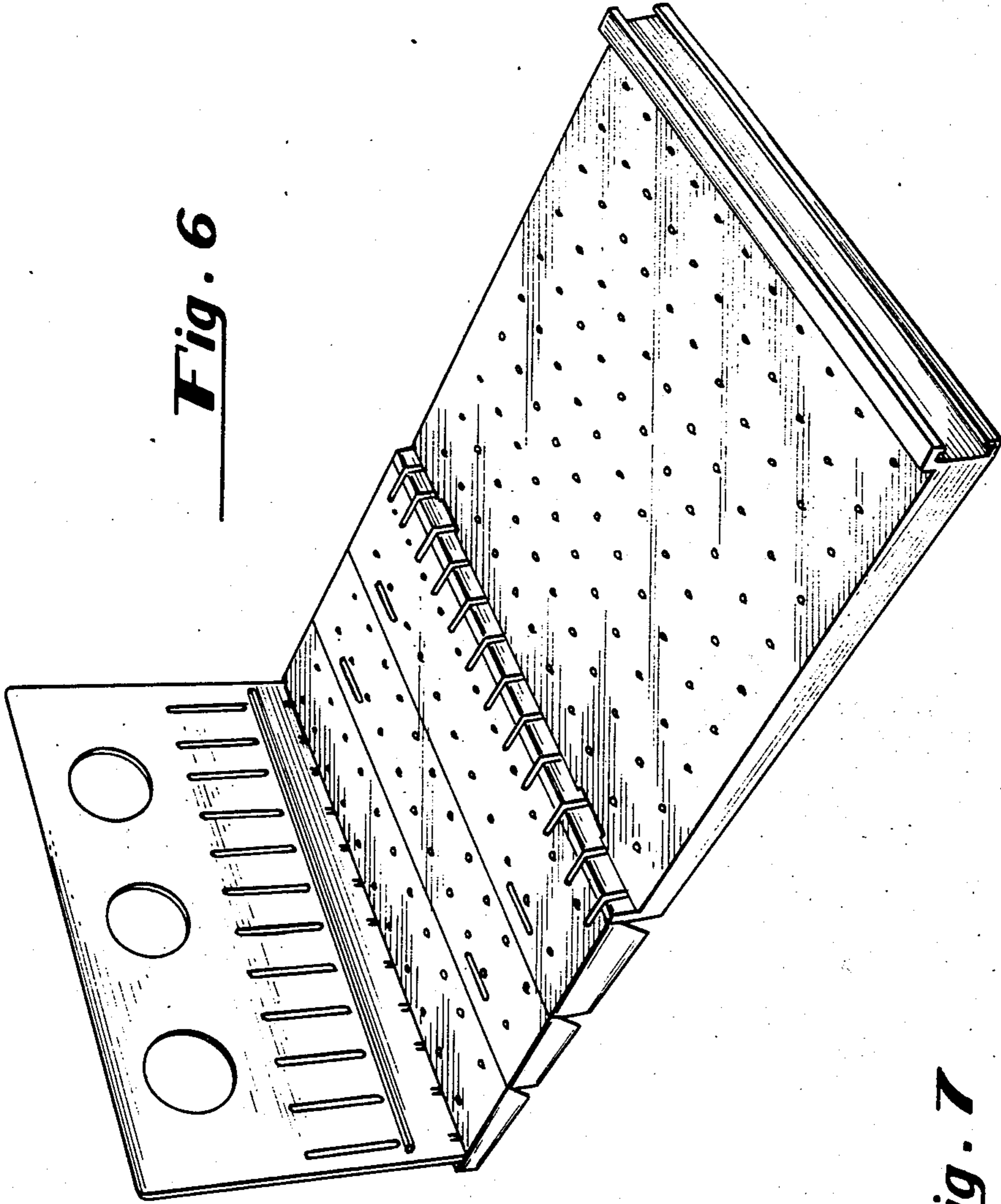


Fig. 6

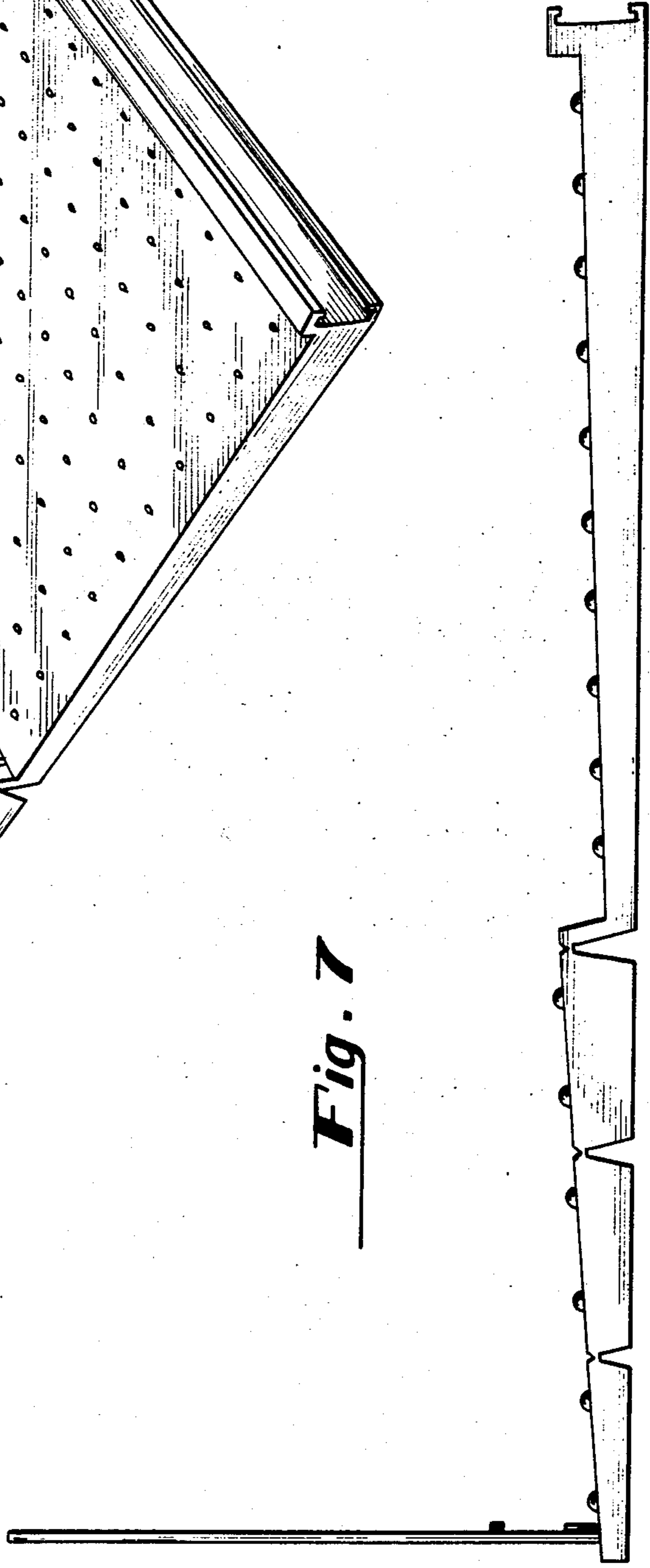


Fig. 7

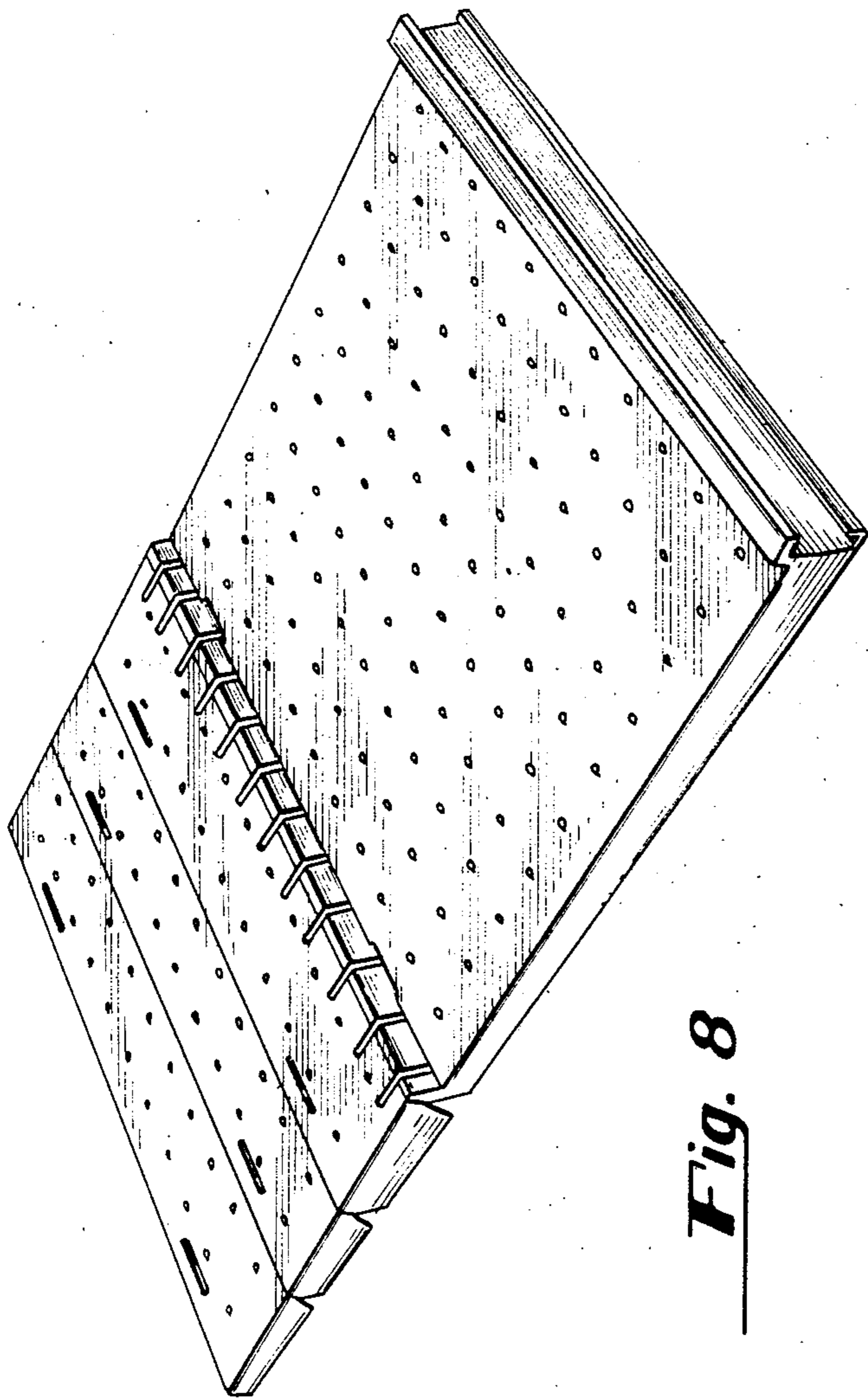


Fig. 8



Fig. 9