

[54] INTERIOR PANEL LIGHTING FIXTURE FOR VEHICLE OR THE LIKE

[75] Inventor: Charles J. Ortega, Los Angeles, Calif.

[73] Assignee: Xantech Corporation, Sylmar, Calif.

[**] Term: 14 Years

[21] Appl. No.: 895,717

[22] Filed: Aug. 12, 1986

[52] U.S. Cl. D26/29; D26/63; D26/74

[58] Field of Search D26/60-66, D26/28, 29, 72, 74-88; 362/418, 427, 269, 275, 74, 233, 234, 235, 240, 272, 264, 285

[56] References Cited

U.S. PATENT DOCUMENTS

D. 161,411	4/1952	Rahn	D26/80
D. 264,254	5/1982	Heritage	D26/63
D. 271,141	10/1983	Seymour et al.	D26/63
2,649,535	8/1953	Feder	362/275
4,499,528	2/1985	Hawlitzki	362/275

OTHER PUBLICATIONS

J.C. Whitney Auto Accessories Catalog #454D, p. 29, Mini Aircraft-Style Lights. Prescolite Lighting Catalog, No. G-12, p. 11, Eyeball Unit #98.

Primary Examiner—Susan J. Lucas
Attorney, Agent, or Firm—Fred Flam

[57] CLAIM

The ornamental design for a interior panel lighting fixture for vehicle or the like, substantially as shown and described.

DESCRIPTION

FIG. 1 is a front perspective view of an interior panel lighting fixture for vehicle or the like being viewed as it would be mounted in a ceiling;

FIG. 2 is a front elevational view thereof;

FIG. 3 is a top plan view thereof, the bottom being a mirror image;

FIG. 4 is an end elevational view thereof, the opposite end being a mirror image;

FIG. 5 is a rear elevational view thereof.

FIG. 6 is a front perspective view of a second embodiment of my new design;

FIG. 7 is a rear elevational view thereof;

FIG. 8 is a top plan view thereof, the bottom being a mirror image.

The ends of the second embodiment are identical to those of the first as shown in FIG. 4.

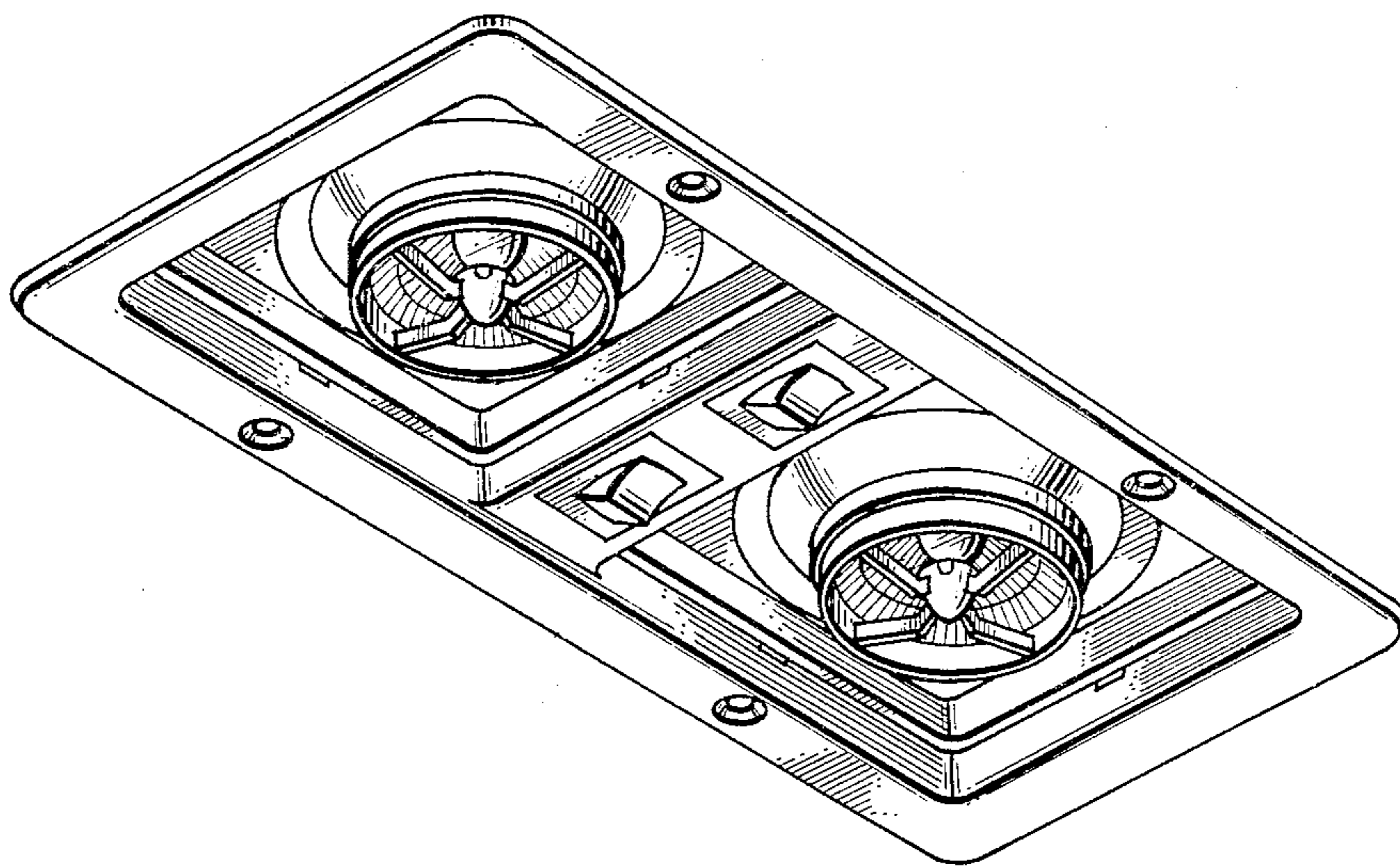


Fig. 1.

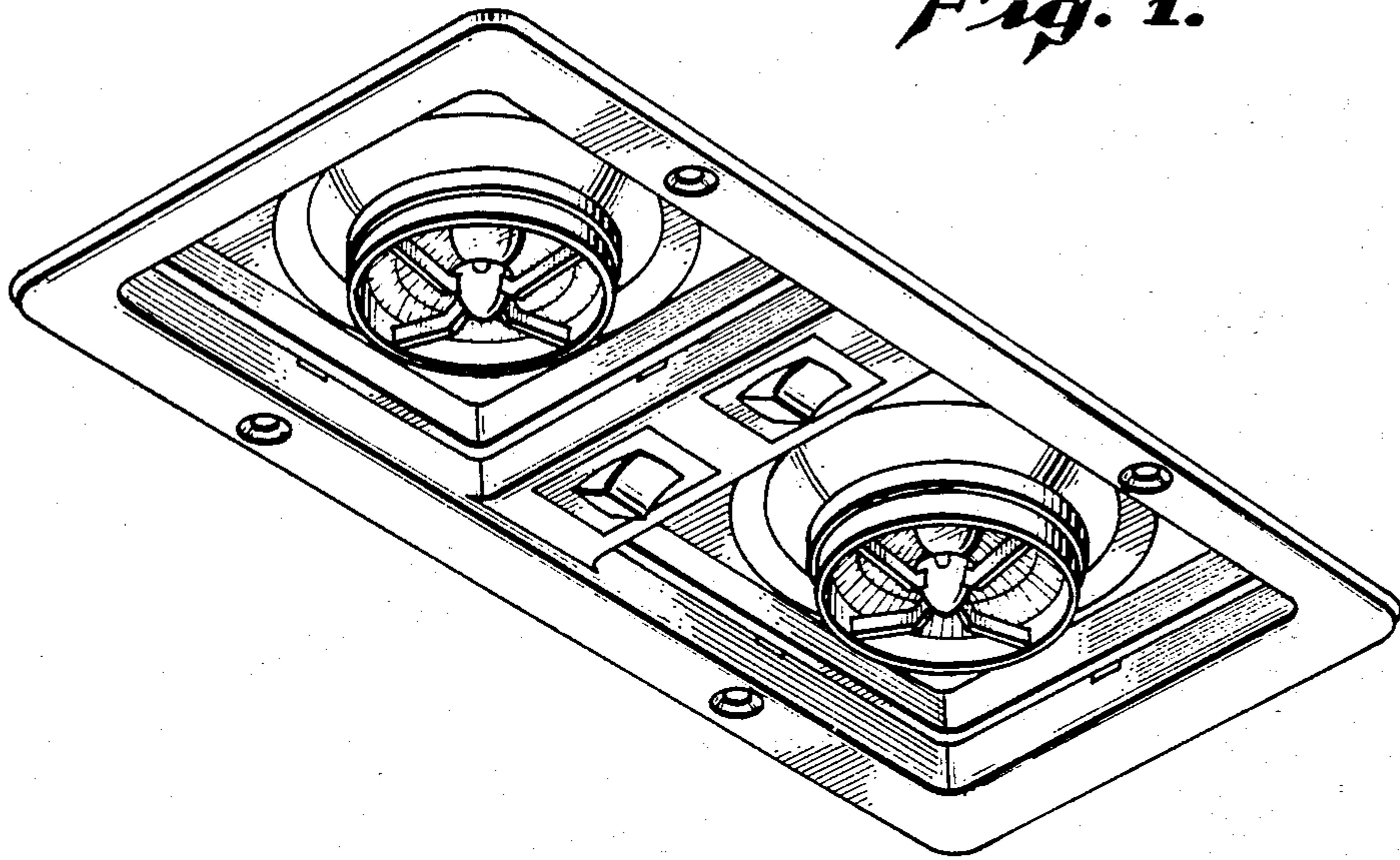


Fig. 2.

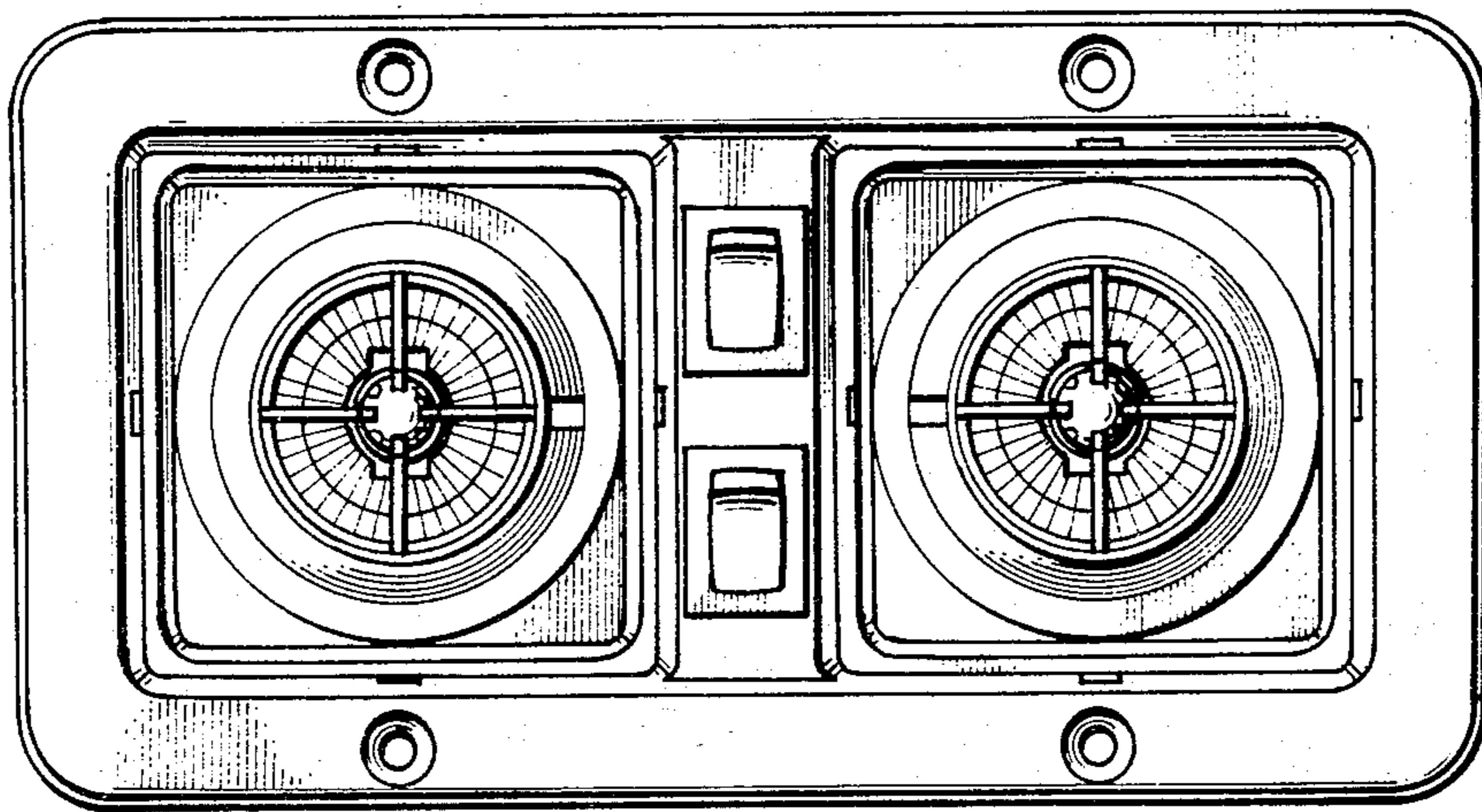


Fig. 3.

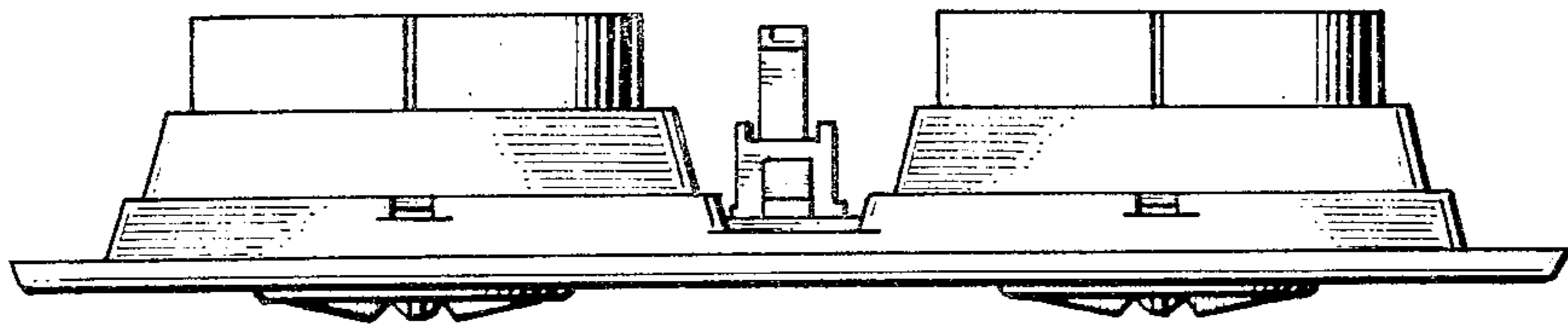


Fig. 4.

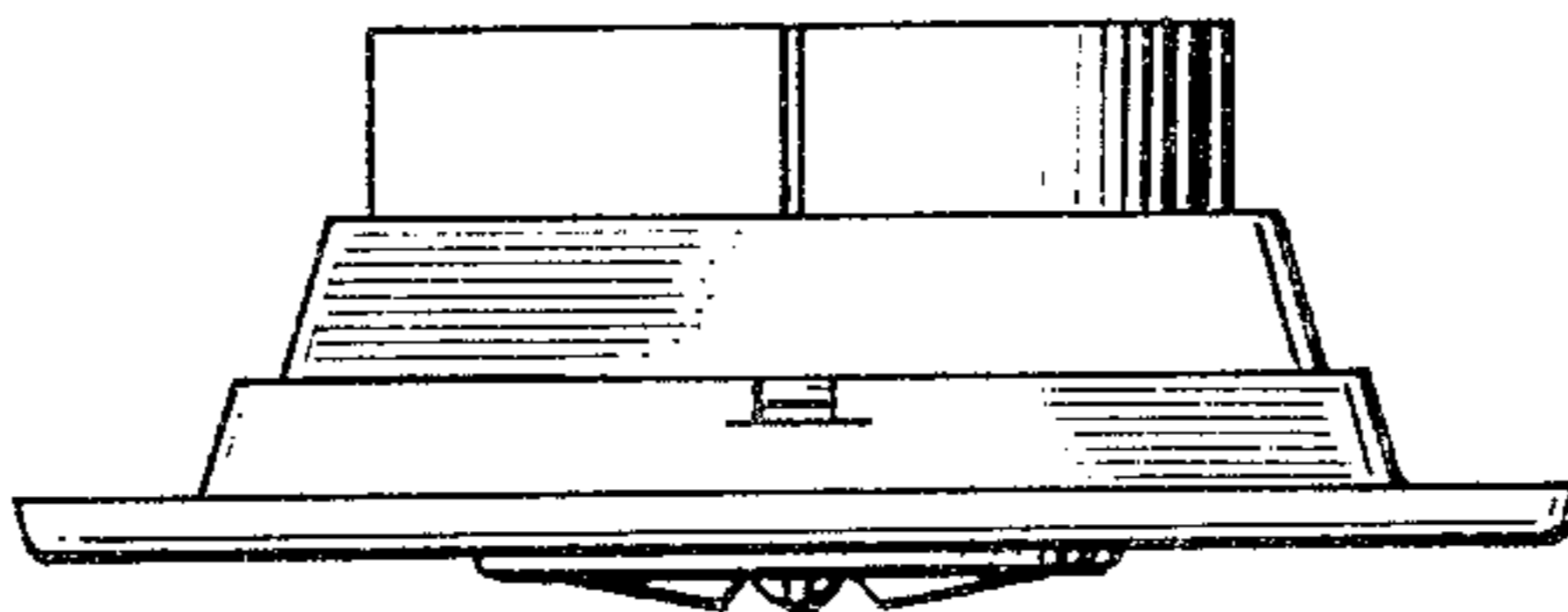
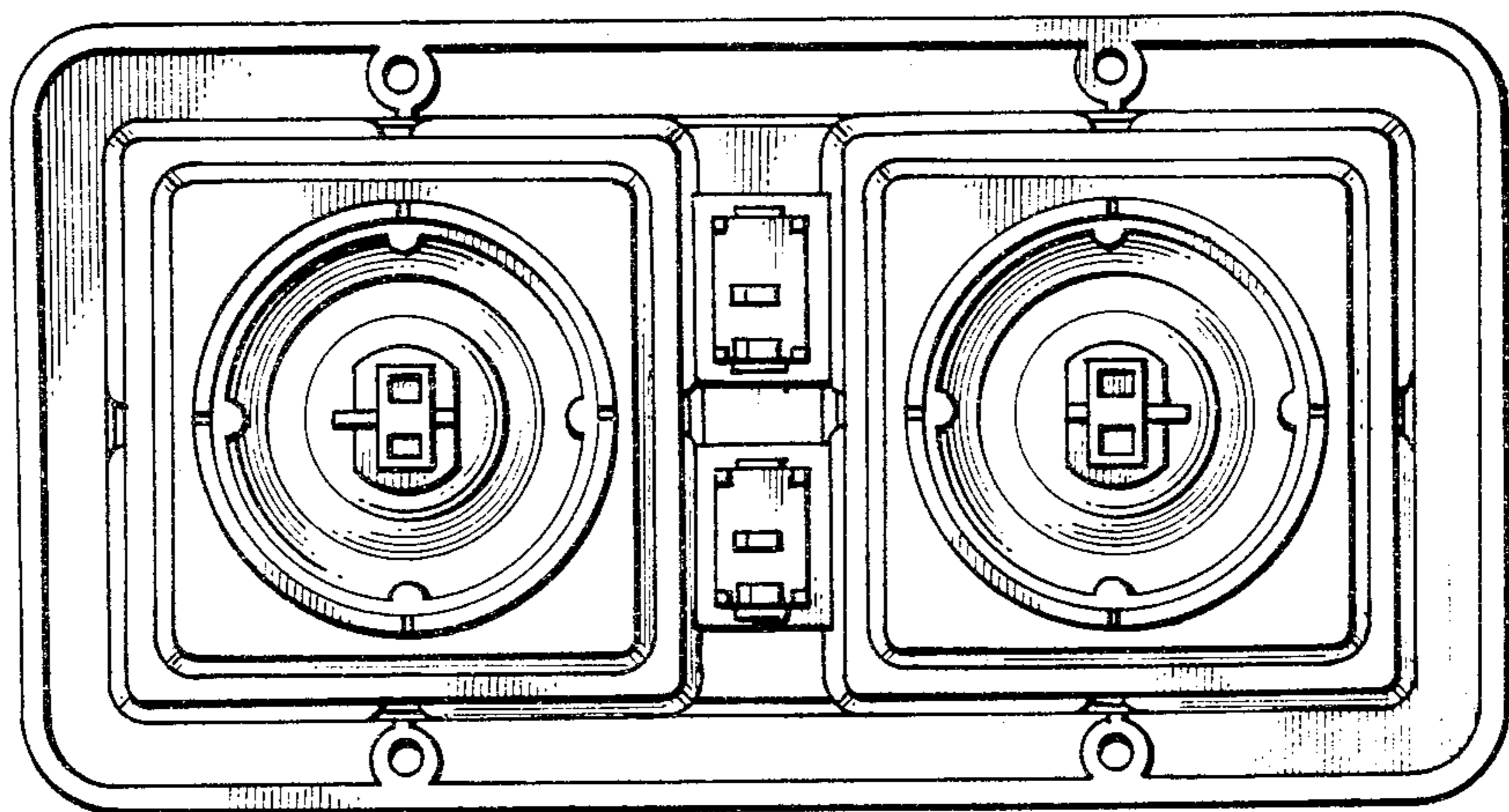


Fig. 5.



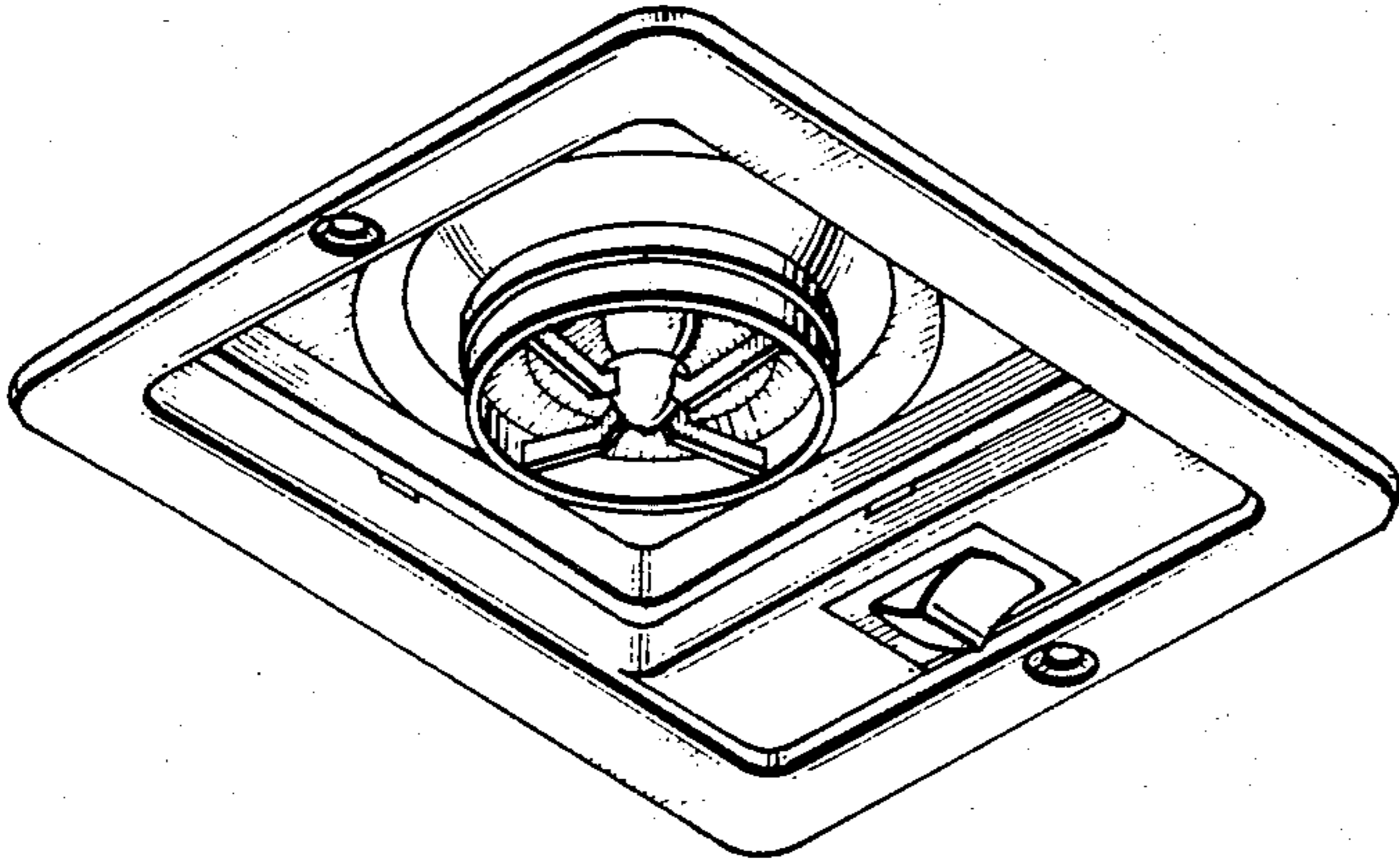


Fig. 6.

Fig. 7.

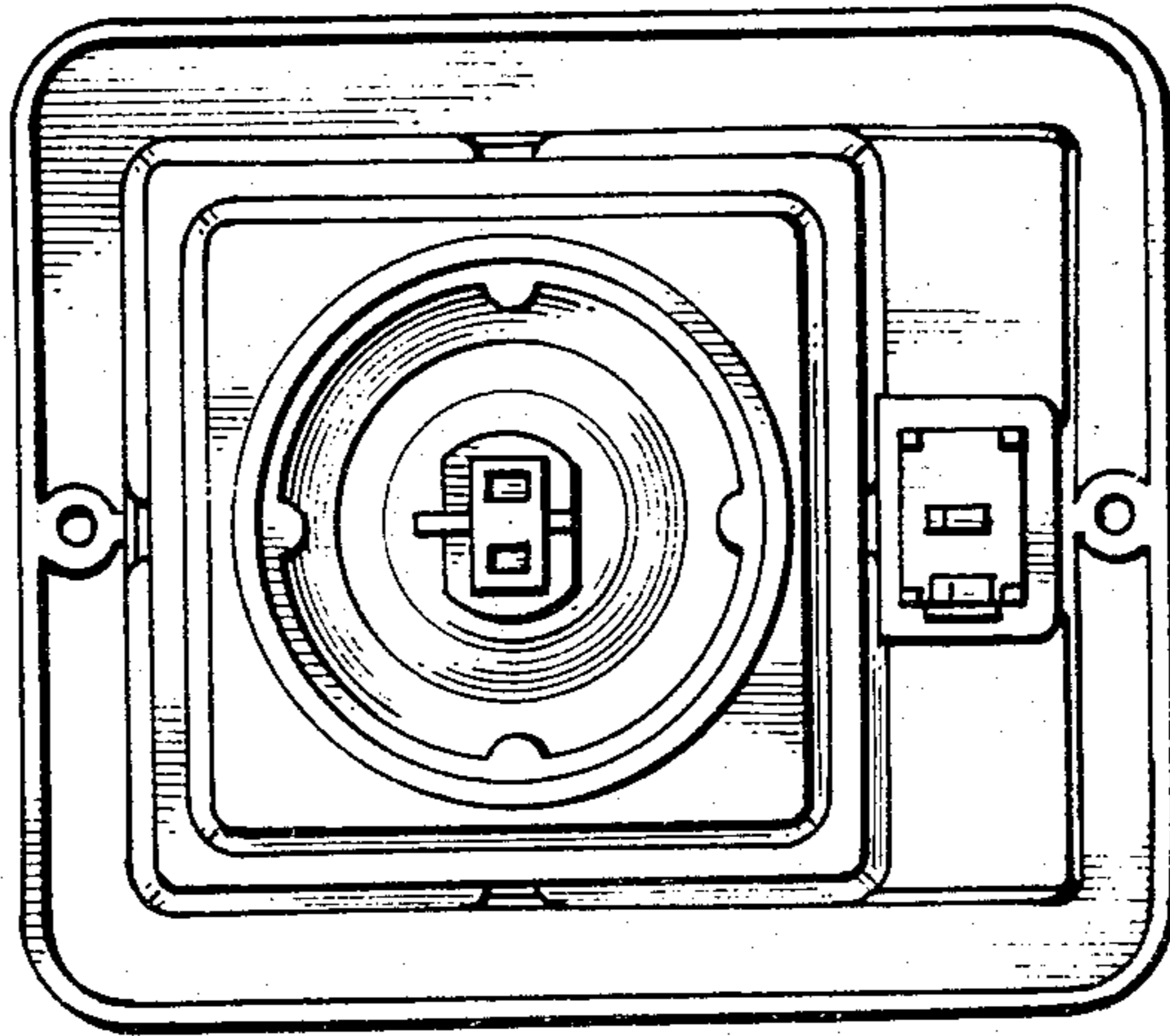
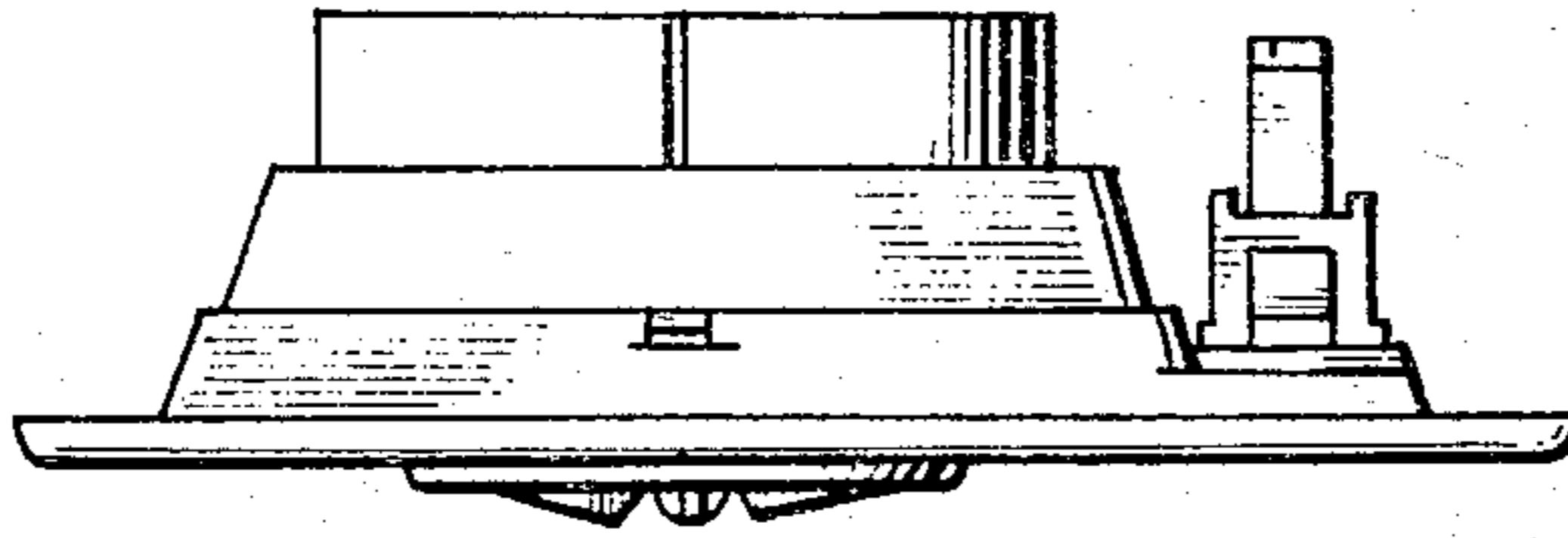


Fig. 8.



Disclaimer

D. 291,253.—*Charles J. Ortega*, Los Angeles, Calif. INTERIOR PANEL LIGHTING FIXTURE FOR VEHICLE OR THE LIKE. Patent dated Aug. 4, 1987. Disclaimer filed Feb. 18, 1988, by the assignee, *Xantech Corp.*

Hereby enters this disclaimer to the claim of said patent.
[Official Gazette June 14, 1988]