

[54] **FOG LIGHT**

[75] **Inventor: Matsuo Ichikawa, Takasaki, Japan**

[73] **Assignee: Ichikawa Press Industry Co., Ltd., Japan**

[**] **Term: 14 Years**

[21] **Appl. No.: 631,901**

[22] **Filed: Jul. 18, 1984**

[52] **U.S. Cl. D26/29**

[58] **Field of Search D26/28-37, D26/118-124; 362/61, 80, 81, 82, 83, 309, 326, 329-340, 418, 419, 427, 269, 270, 275**

[56] **References Cited**

U.S. PATENT DOCUMENTS

- D. 271,426 11/1983 Yabata D26/29
- D. 276,849 12/1984 Bailly D26/29
- 3,594,569 7/1971 Cranmore D26/28 X
- 4,425,607 1/1984 Shanks 362/311 X

Primary Examiner—Susan J. Lucas
Attorney, Agent, or Firm—Lowe, Price, LeBlanc, Becker & Shur

[57] **CLAIM**

The ornamental design for a fog light, as shown and described.

DESCRIPTION

FIG. 1 is a front perspective view of a fog light showing my new design;

FIG. 2 is a rear perspective view thereof;

FIG. 3 is a top plan view thereof on an enlarged scale;

FIG. 4 is a side elevational view thereof on an enlarged scale;

FIG. 5 is a front elevational view thereof on an enlarged scale;

FIG. 6 is a bottom plan view thereof on an enlarged scale;

FIG. 7 is a rear elevational view thereof on an enlarged scale; and

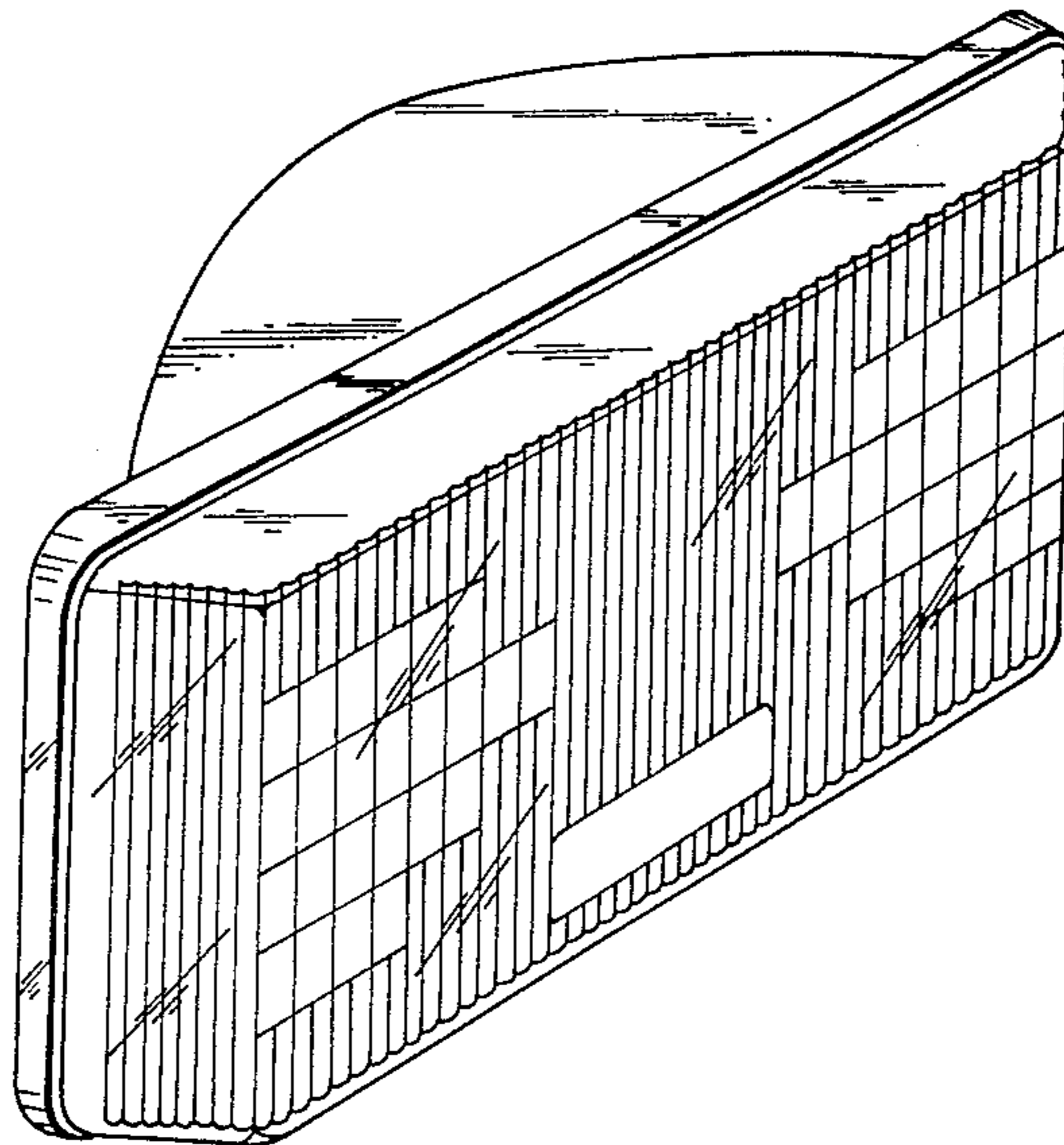


FIG. 1

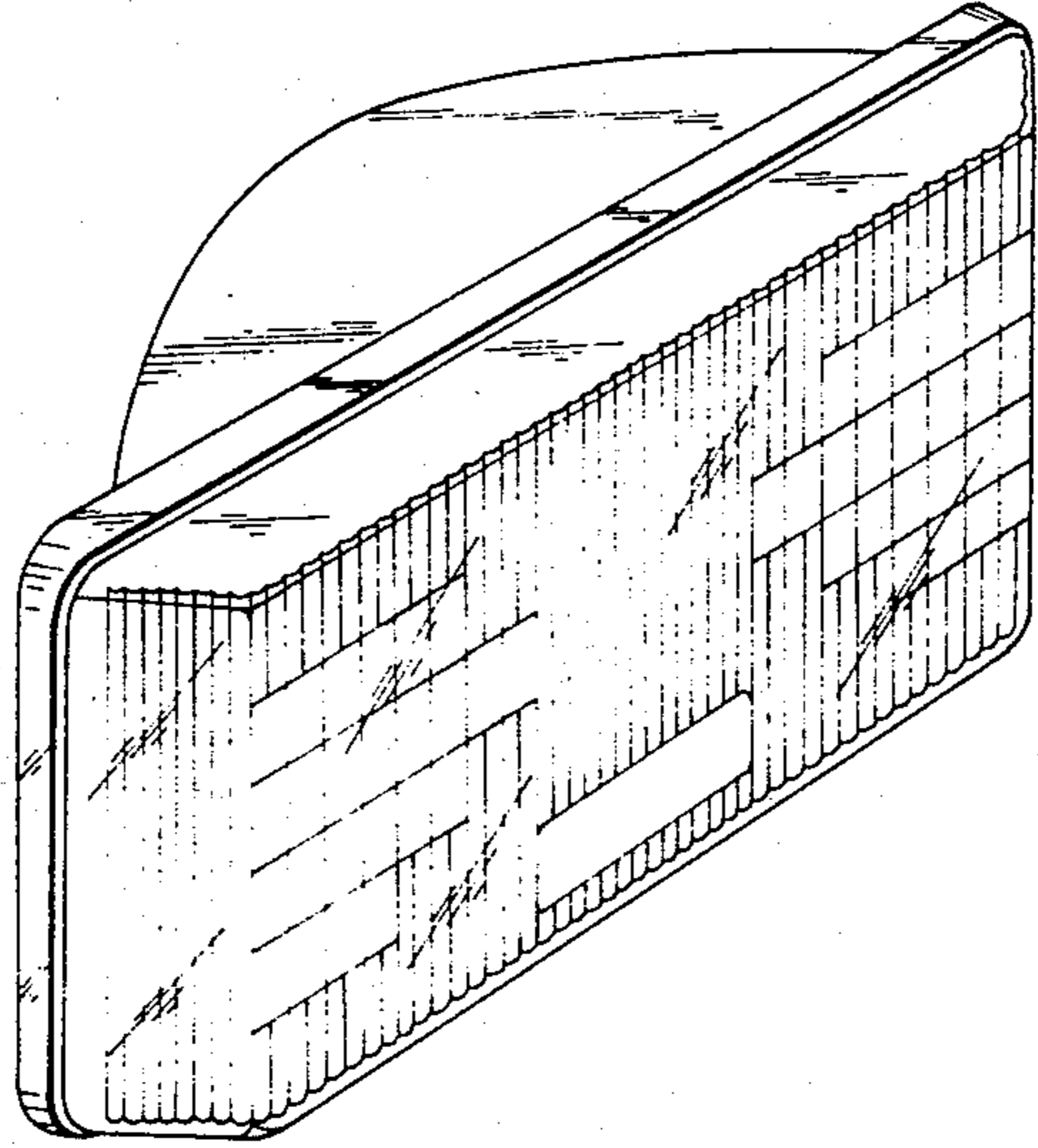
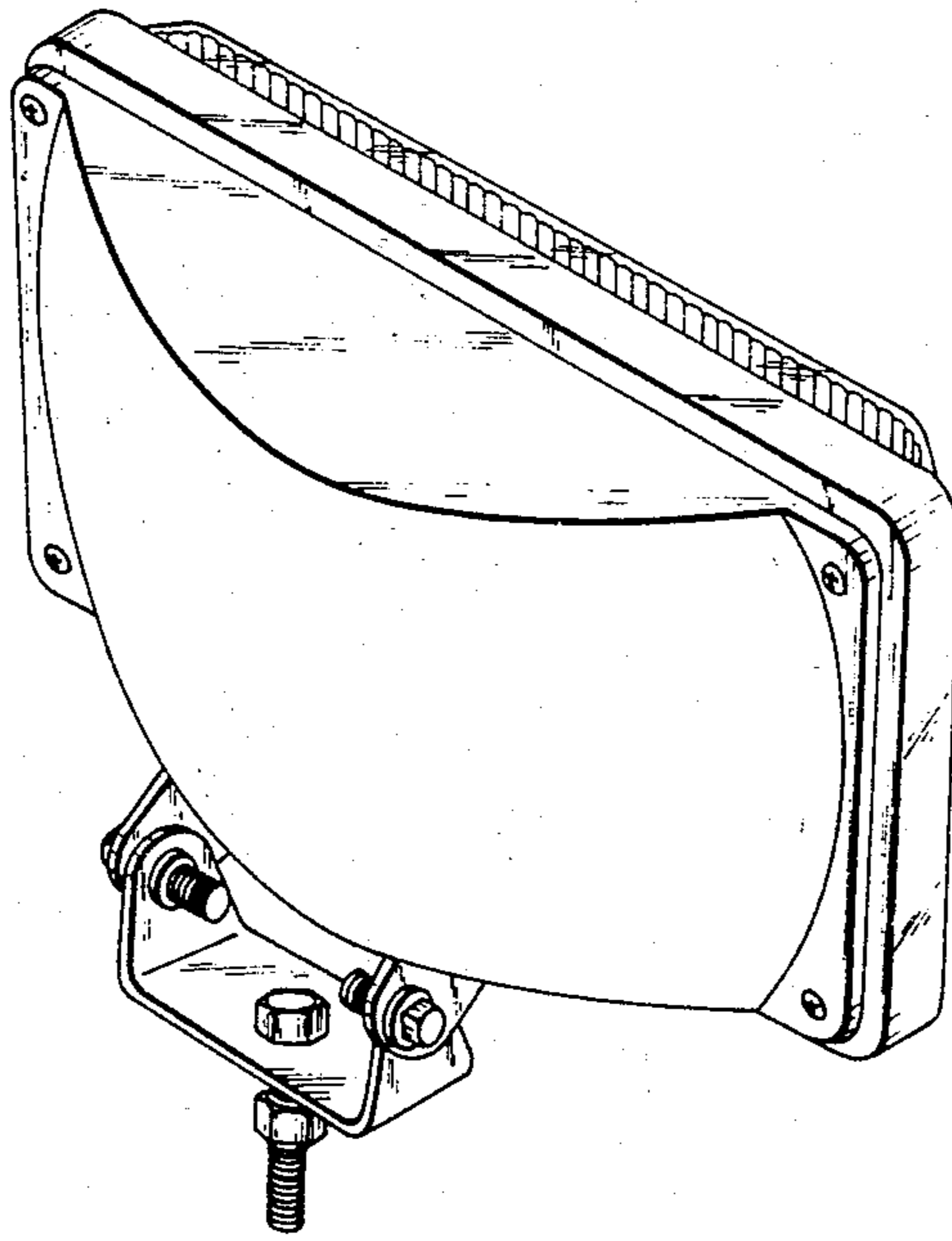


FIG. 2



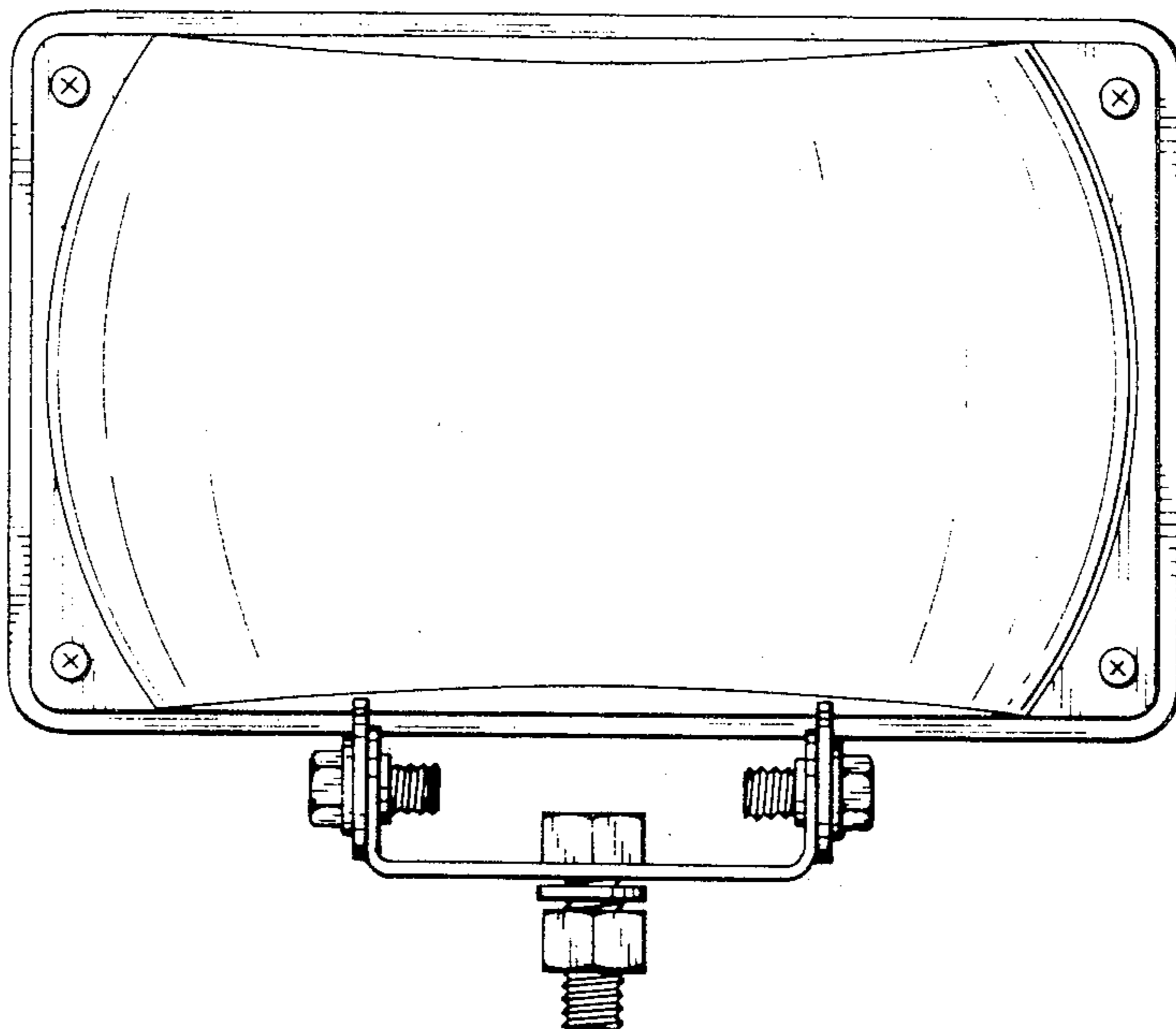


FIG. 7

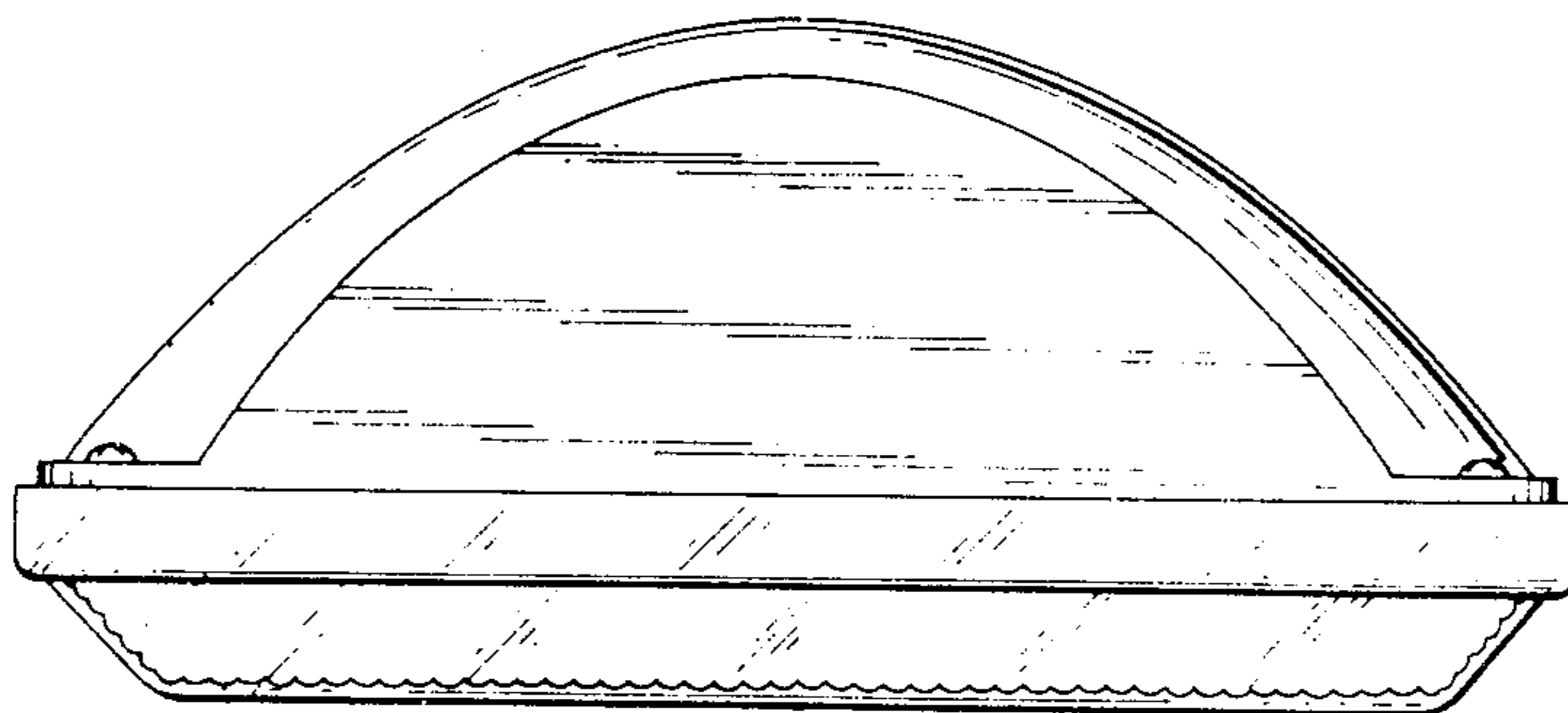
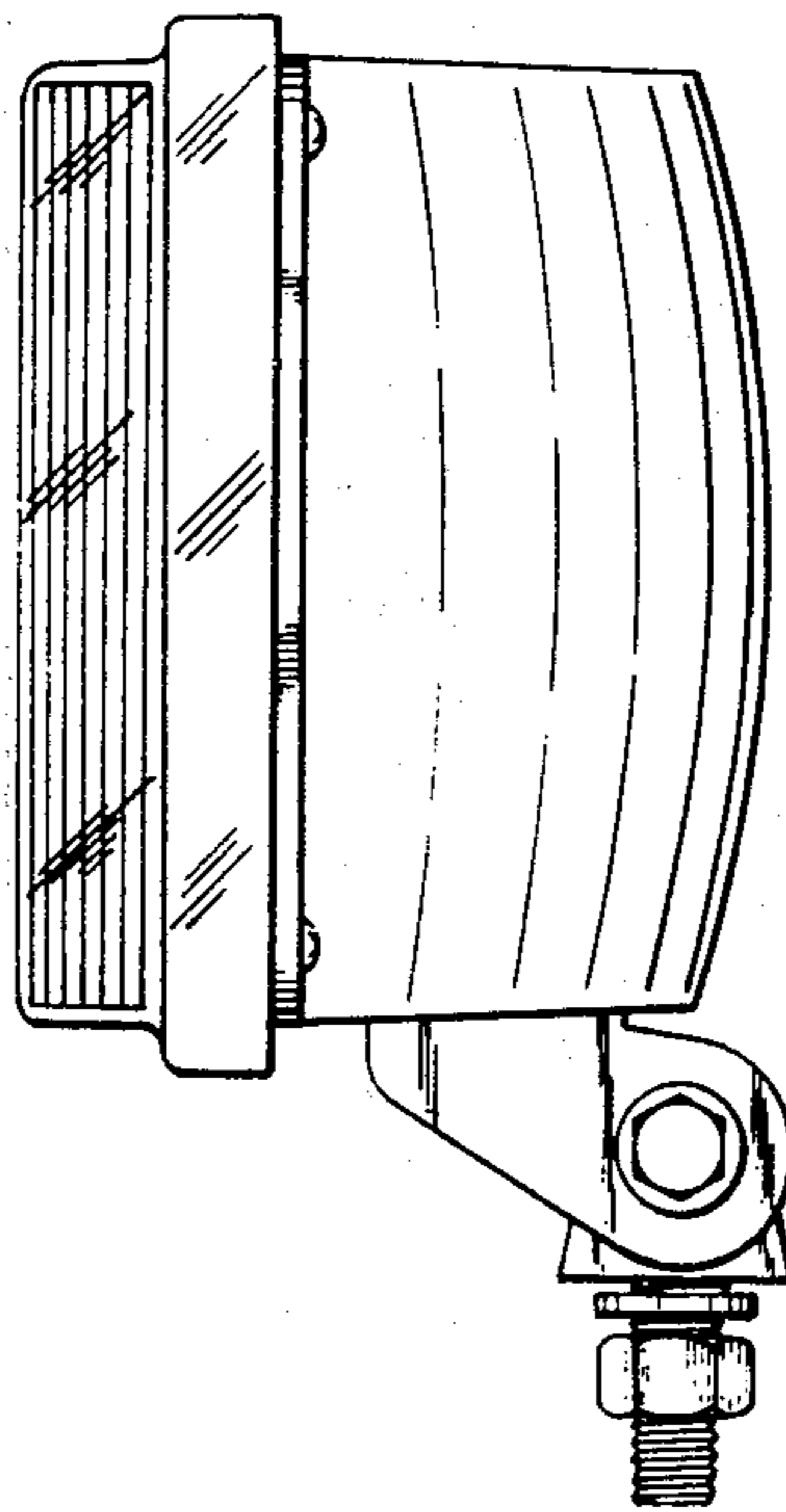


FIG. 3

FIG. 4



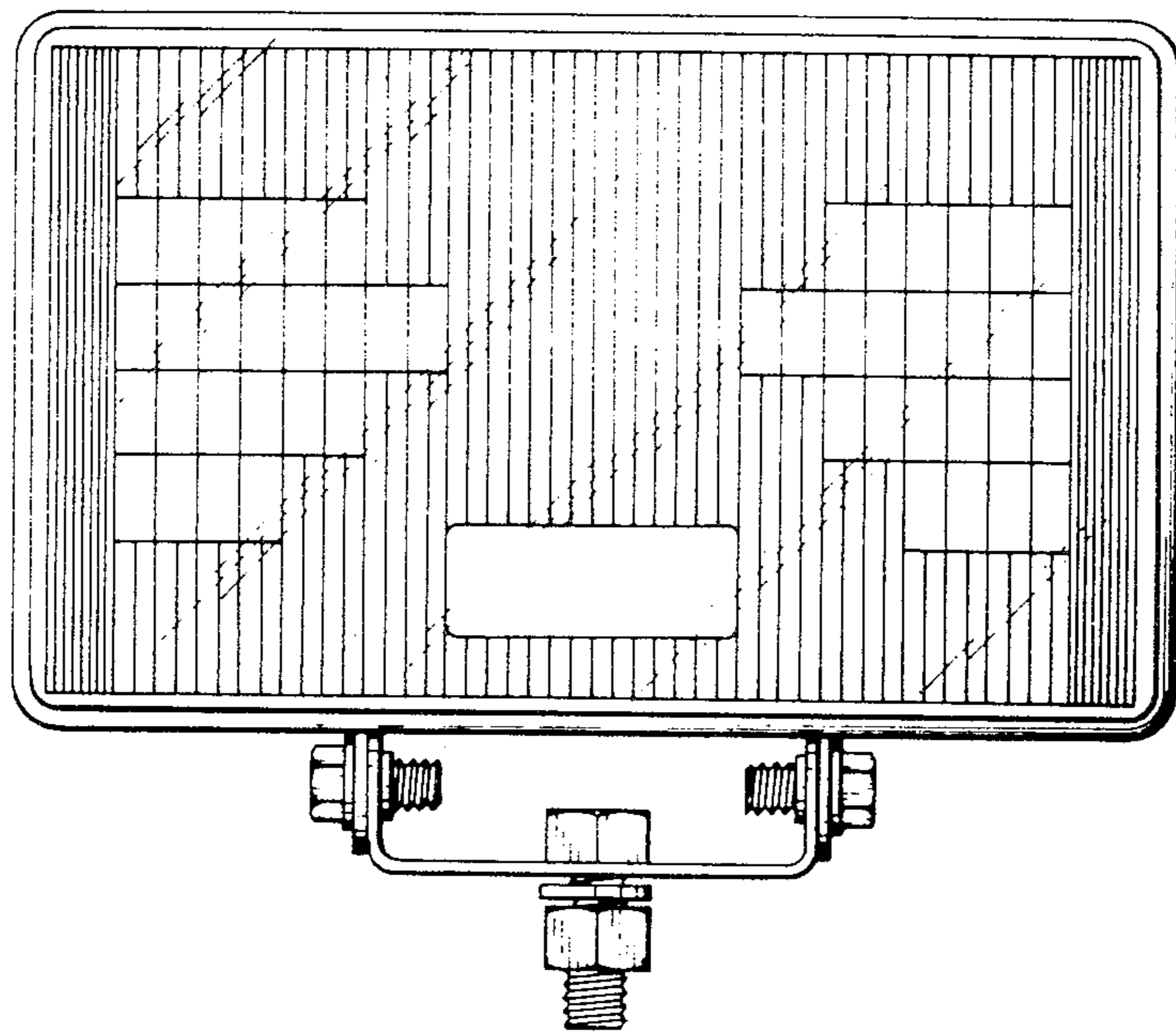


FIG. 5

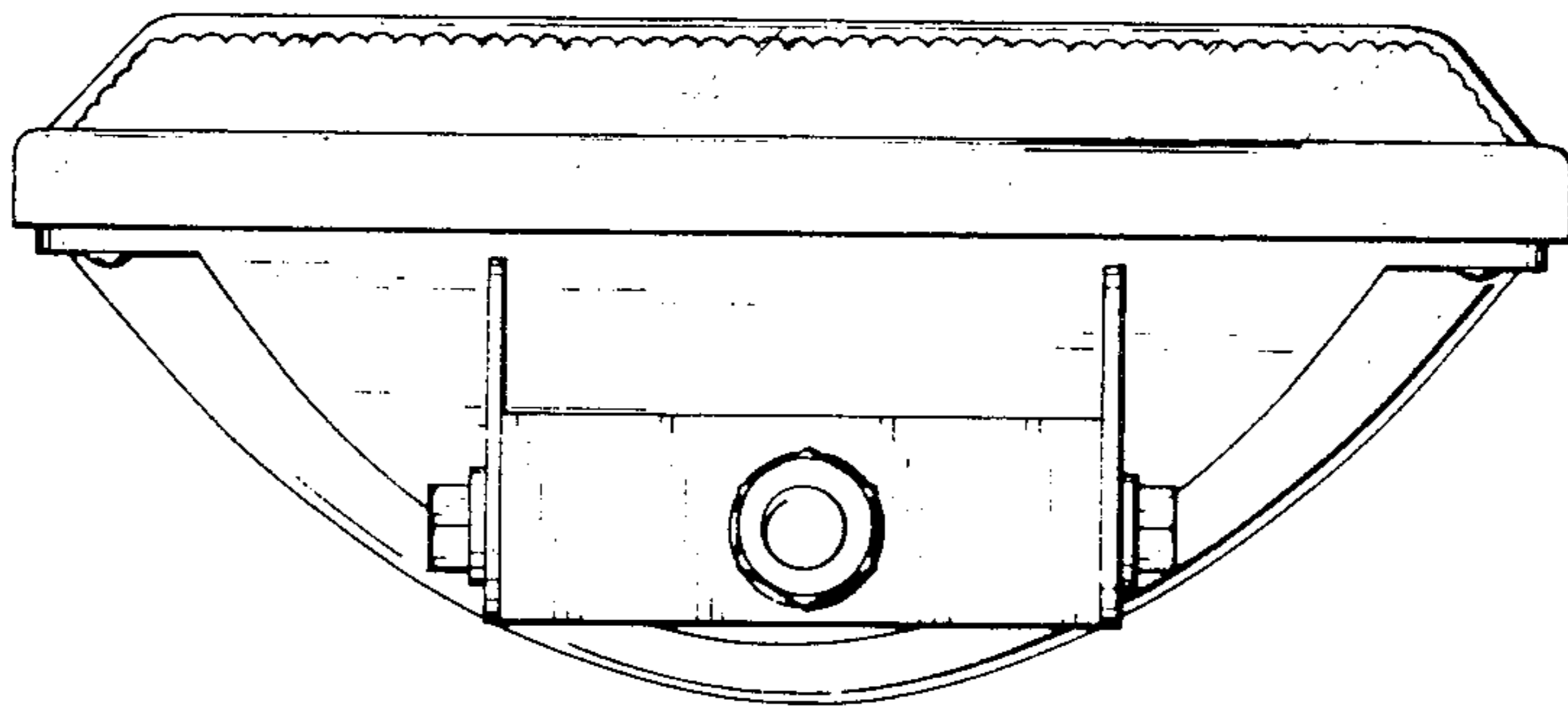


FIG. 6