

[54] MEDICAL DEVICE CLIP OR THE LIKE FOR ATTACHING A SURGICAL WOUND DRAINAGE EVACUATOR OR THE LIKE TO VARIOUS SITES

[75] Inventor: Eugene E. Weilbacher, New Philadelphia, Ohio

[73] Assignee: Snyder Laboratories, Inc., Dover, Ohio

[**] Term: 14 Years

[21] Appl. No.: 699,365

[22] Filed: Feb. 7, 1985

[52] U.S. Cl. D24/27; D11/215; D24/8

[58] Field of Search D24/27, 8, 26, 29; D8/72; D11/200, 215; D32/61; 128/346, 326, 325, 337; 24/455, 456; 29/243.56

[56] References Cited

U.S. PATENT DOCUMENTS

| | | | | |
|------------|---------|---------------------|-------|-----------|
| D. 199,840 | 12/1964 | Uarola | | D32/61 |
| D. 276,461 | 11/1984 | Scanlan, Jr. et al. | | D24/27 |
| D. 277,534 | 2/1985 | Warmath | | D32/61 X |
| 2,525,985 | 10/1950 | Weymouth | | D11/215 X |
| 4,178,052 | 12/1979 | Ecrum et al. | | D24/27 X |

| | | | | |
|-----------|---------|--------------------|-------|-----------|
| 4,484,581 | 11/1984 | Martin et al. | | 128/346 |
| 4,487,205 | 12/1984 | Di Giovanni et al. | | 128/346 X |

OTHER PUBLICATIONS

1981 Zimmer Catalog pp. E-6, 8 and 10-Snyder Hemovac™ Wound Drainage Device Products. Snyder Laboratories, Inc.—Photograph and Photocopy of Sample Clip. Allen Field Co., Inc. Advertisement—Plastic Hospital Clips Style #110.

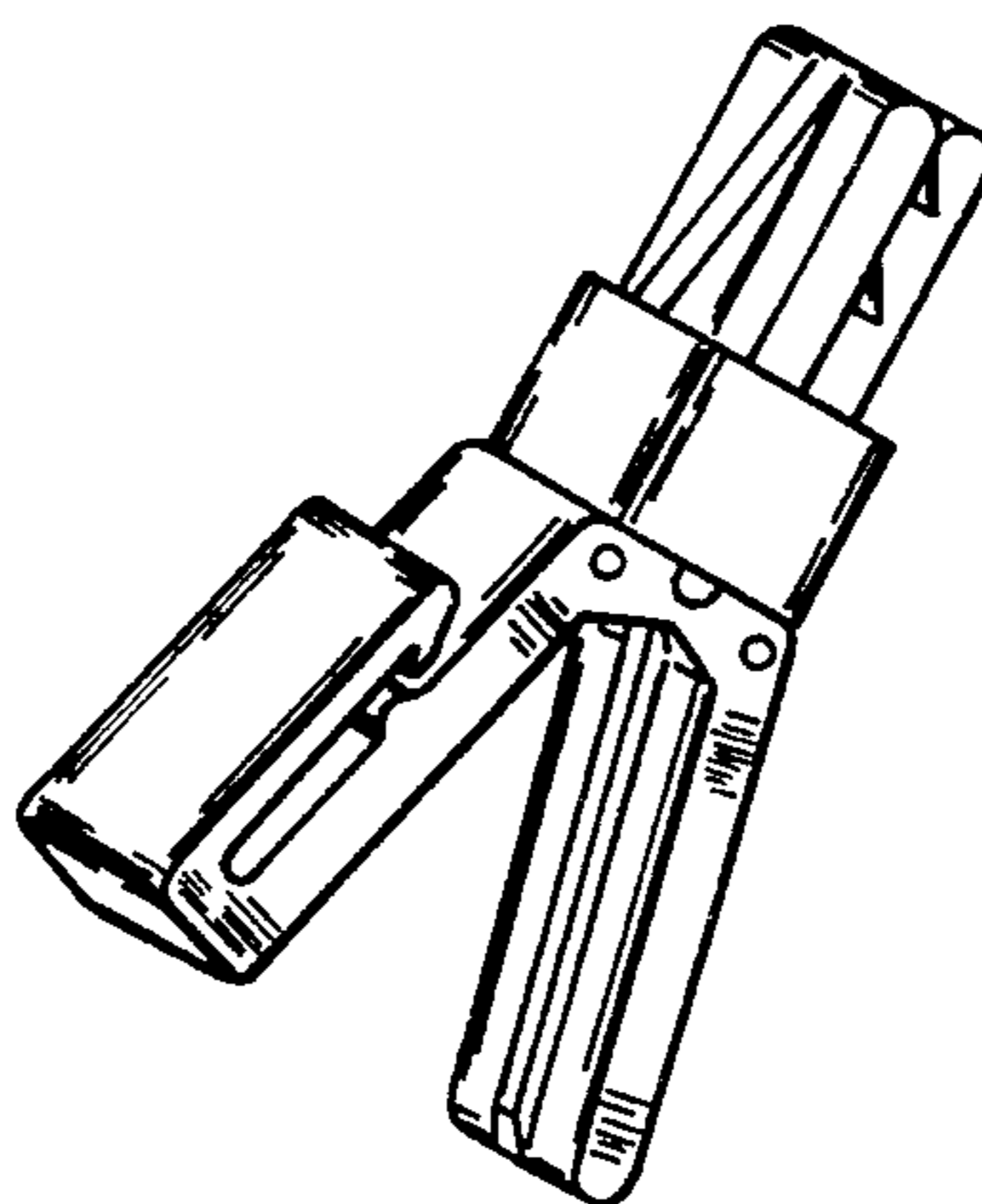
Primary Examiner—A. Hugo Word
Assistant Examiner—Stella M. Reid
Attorney, Agent, or Firm—Margaret L. Geringer

[57] CLAIM

The ornamental design for a medical device clip or the like for attaching a surgical wound drainage evacuator or the like to various sites, as shown and described.

DESCRIPTION

FIG. 1 is a perspective view of a medical device clip or the like for attaching a surgical wound drainage evacuator or the like to various sites showing my new design; FIG. 2 is a side elevational view thereof, in open position; FIG. 3 is a side elevational view thereof; FIG. 4 is a front end elevational view thereof; and FIG. 5 is a top plan view thereof.



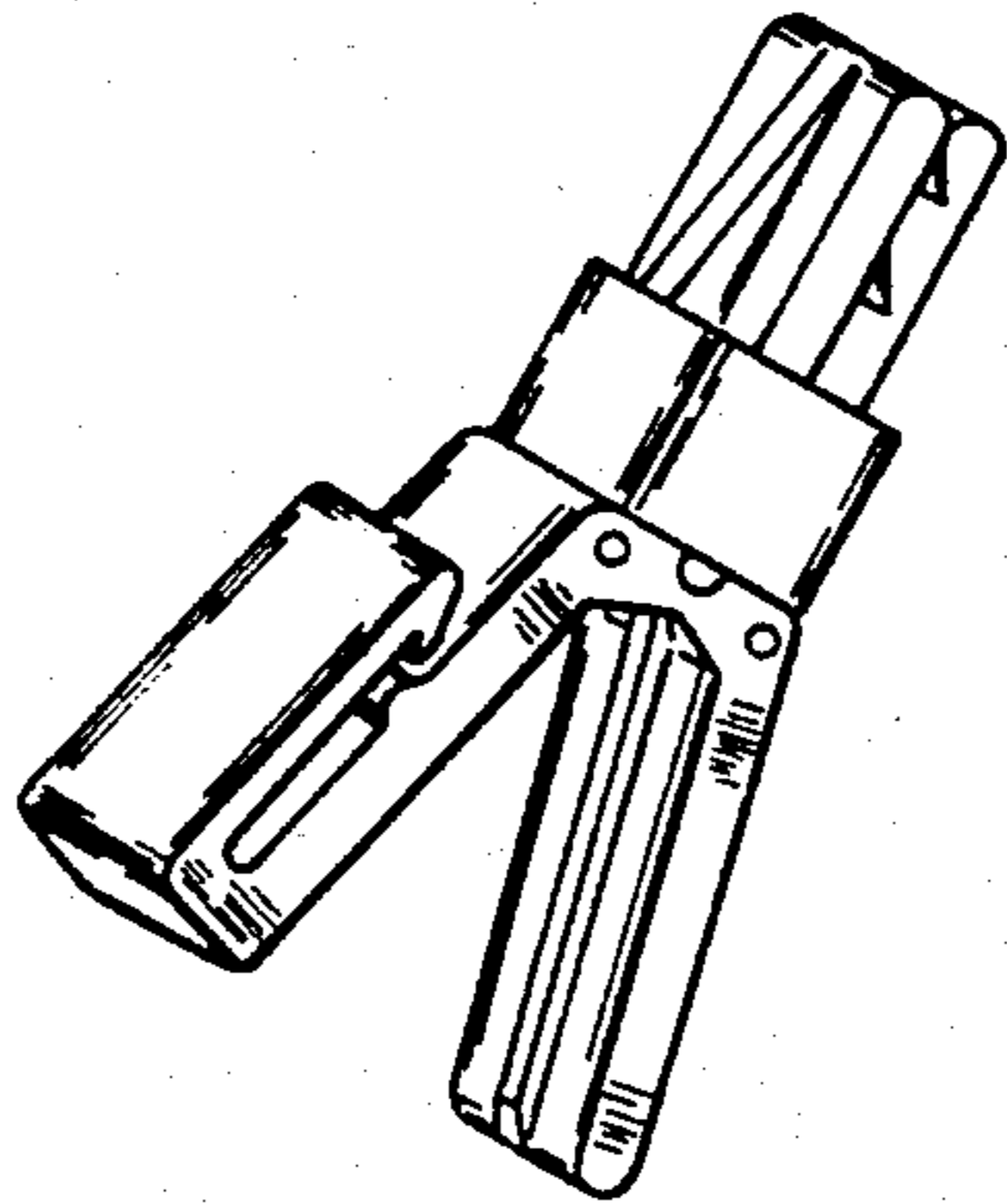


FIG. 1

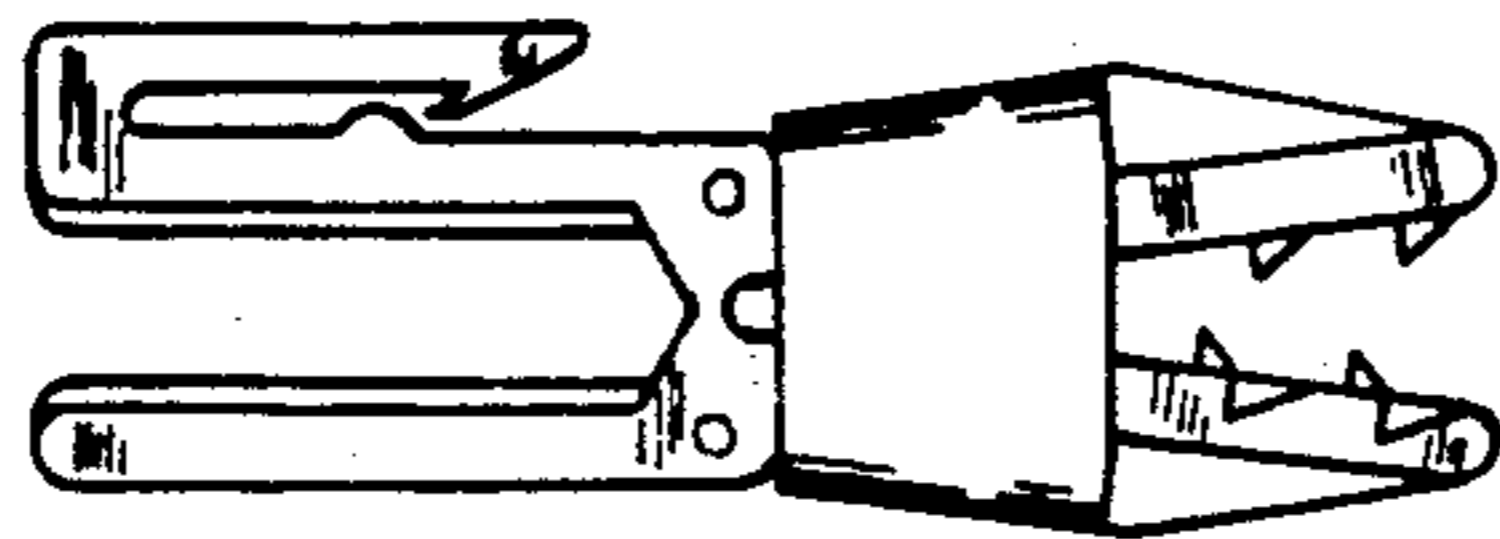


FIG. 2

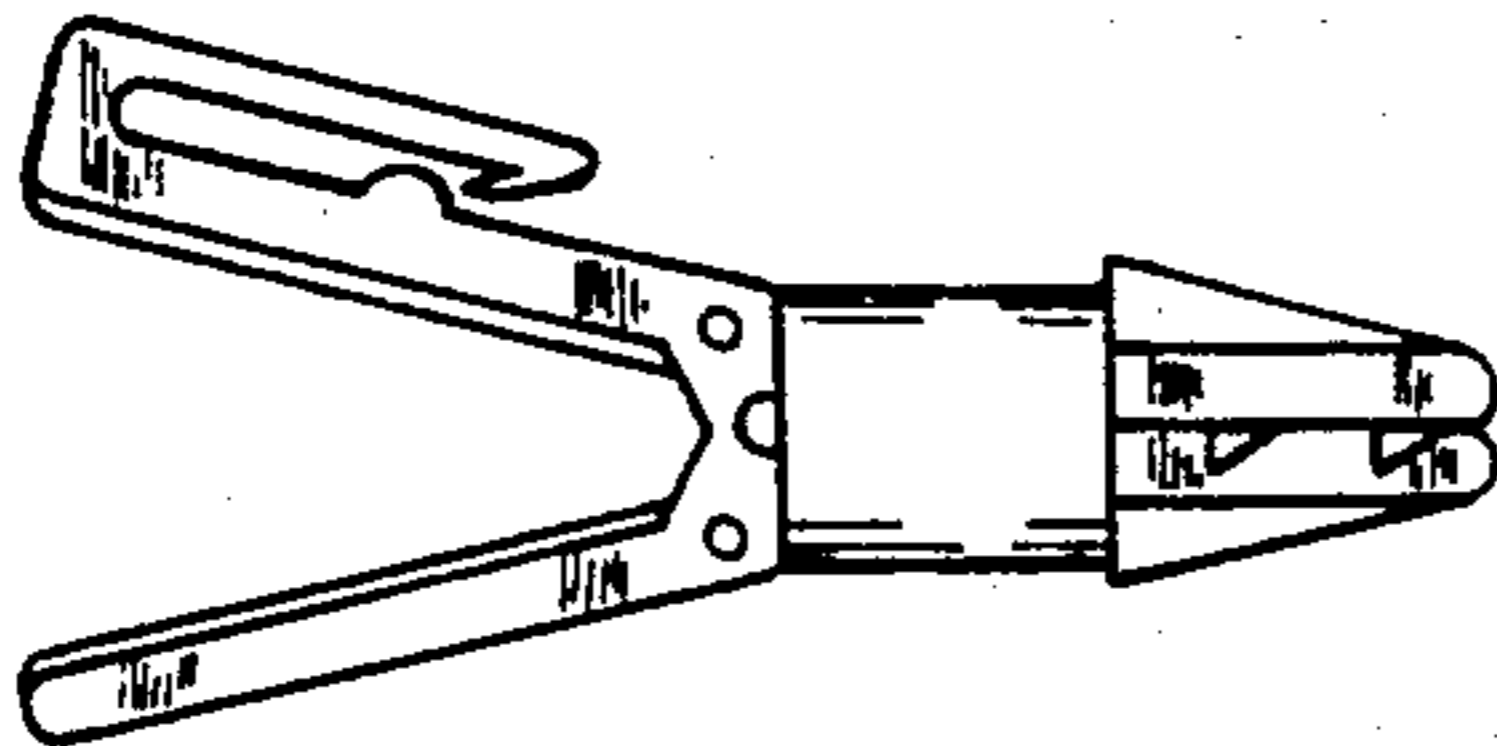


FIG. 3



FIG. 4



FIG. 5