

[54] COMBINED VENTILATING AND PURGING BLOWER

3,096,933 7/1963 Bora D23/151 X
4,612,909 9/1986 Lee D23/151 X

[75] Inventor: Allan E. Beavers, Littleton, Colo.

[73] Assignee: T.A. Pelsue Company, Englewood, Colo.

[**] Term: 14 Years

[21] Appl. No.: 786,503

[22] Filed: Oct. 11, 1985

[52] U.S. Cl. D23/162; D23/151

[58] Field of Search D23/139, 155, 158, 161-163; 98/29.33, 31.5, 32, 35, 37, 37.55, 38.3, 40.18, 40.19, 41.2, 42.01, 42.02, 42.07, 42.13, 42.23, 54, 61-62, 94.1, 115.1-115.4, DIG. 6; 138/118, DIG. 4; 126/299 R, 299 C, 299 D; 415/72-73, 121 G, 203, 206, 219 A, 219 R, 219 B, 219 C; D29/1, 6, 99

[56] References Cited

U.S. PATENT DOCUMENTS

D. 242,459 11/1976 Gerst D23/141 X
D. 262,235 12/1981 Hamilton D23/151
D. 269,115 5/1983 Gomis D23/151

OTHER PUBLICATIONS

Coppus catalogue 1985, p. 22, "Coppus RF Air Driven Reaction Fan".
LaFrance Equip. Co. catalogue (1978), p. 83, "Smoke Ejector" Fan.

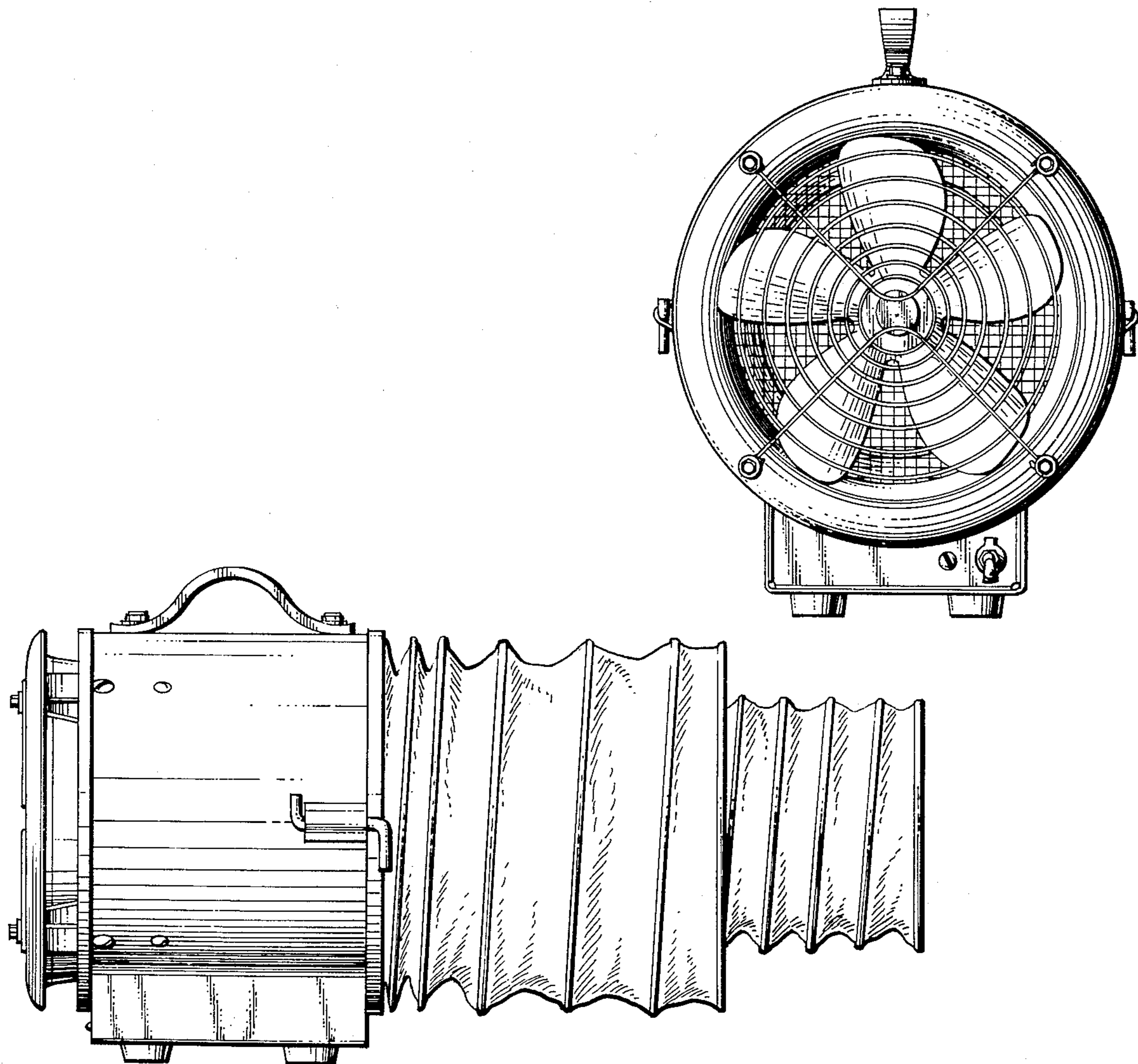
Primary Examiner—Wallace R. Burke
Assistant Examiner—Brian N. Vinson
Attorney, Agent, or Firm—Edwin L. Spangler, Jr.

[57] CLAIM

The ornamental design for a combined ventilating and purging blower, as shown and described.

DESCRIPTION

FIG. 1 is a top plan view of a combined ventilating and purging blower showing my new design; FIG. 2 is a right side elevation thereof; FIG. 3 is a bottom plan view thereof; FIG. 4 is a rear elevation thereof; and, FIG. 5 is a front elevation thereof. The left side elevation is a mirror image of the right side elevation shown in FIG. 2.



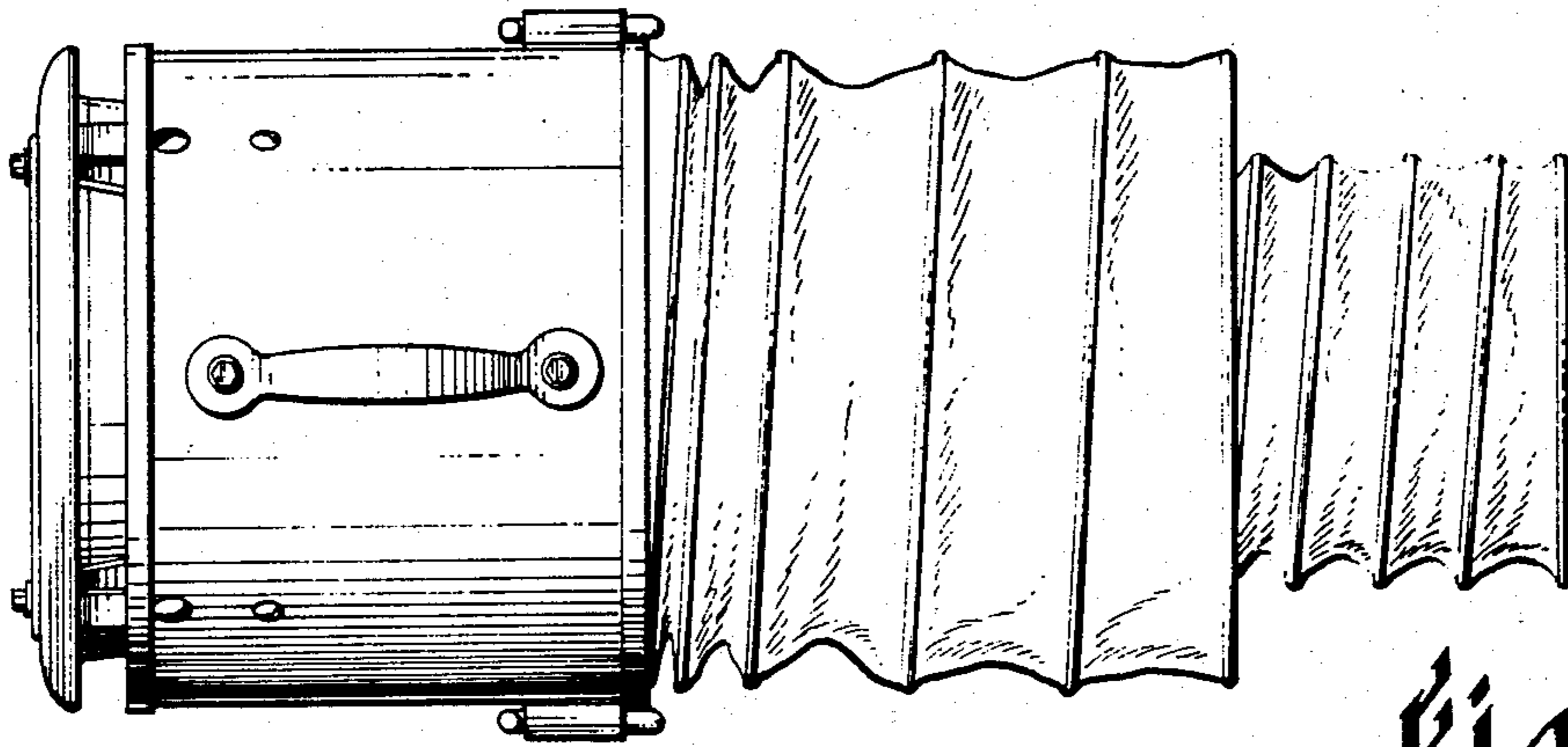


Fig. 1

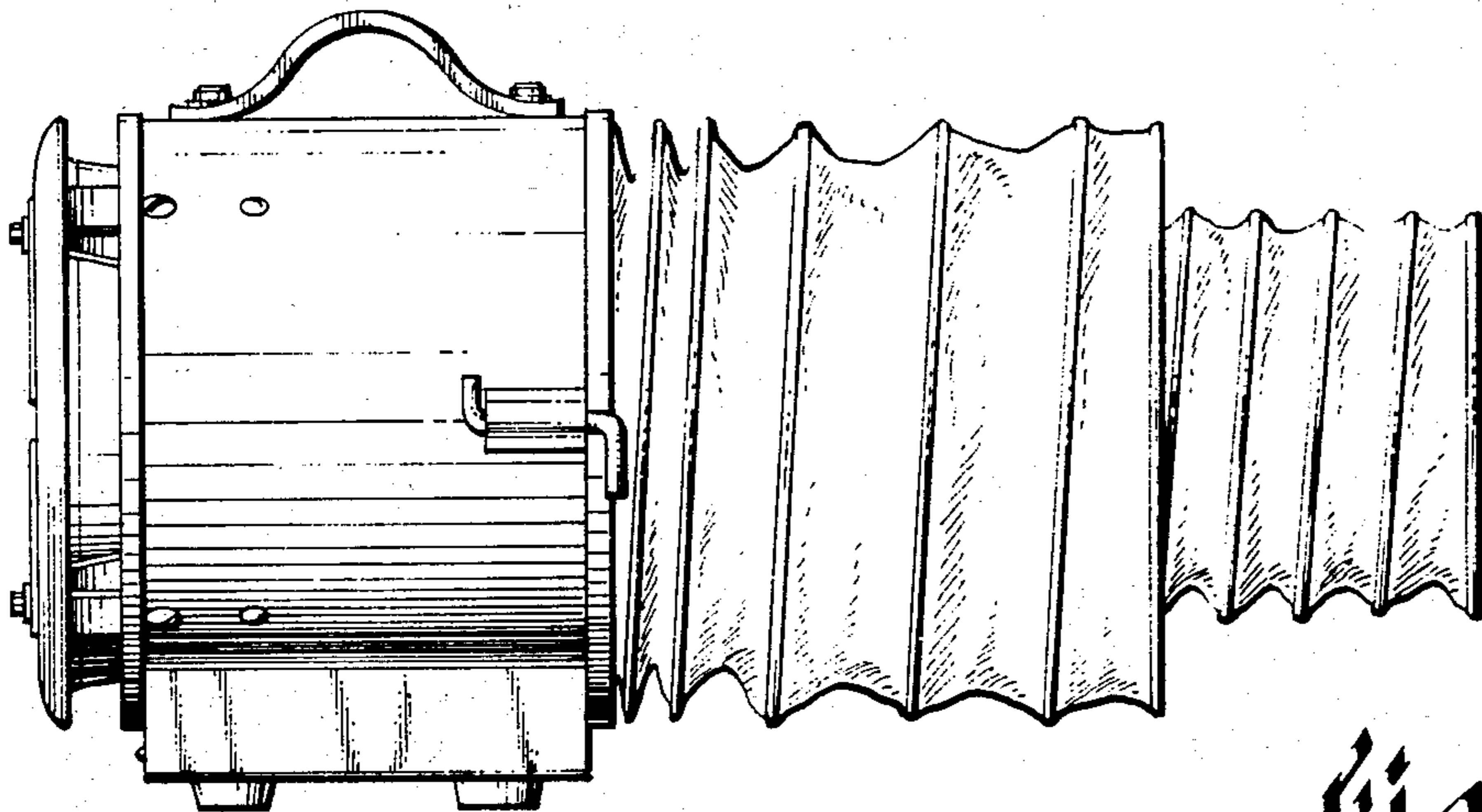


Fig. 2

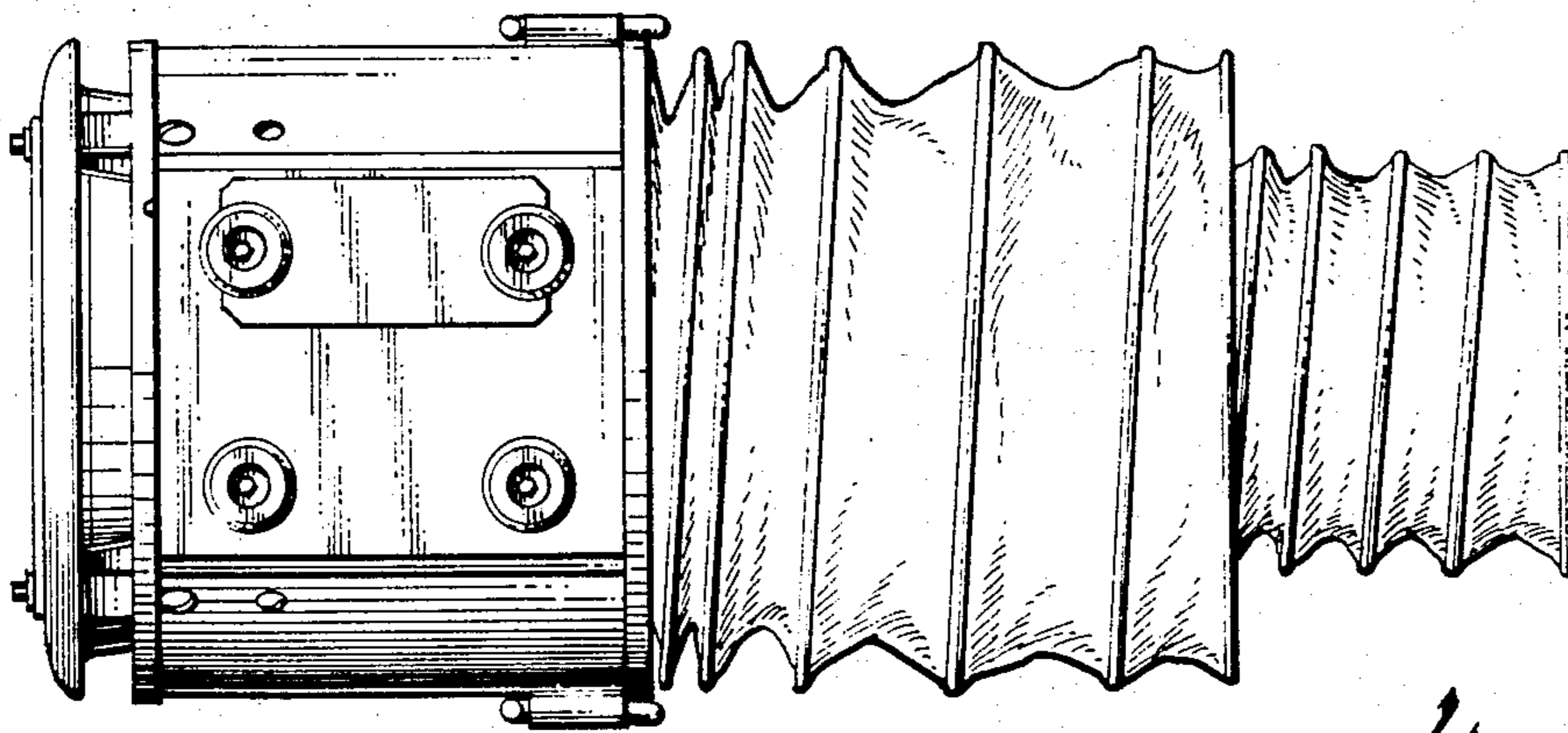


Fig. 3

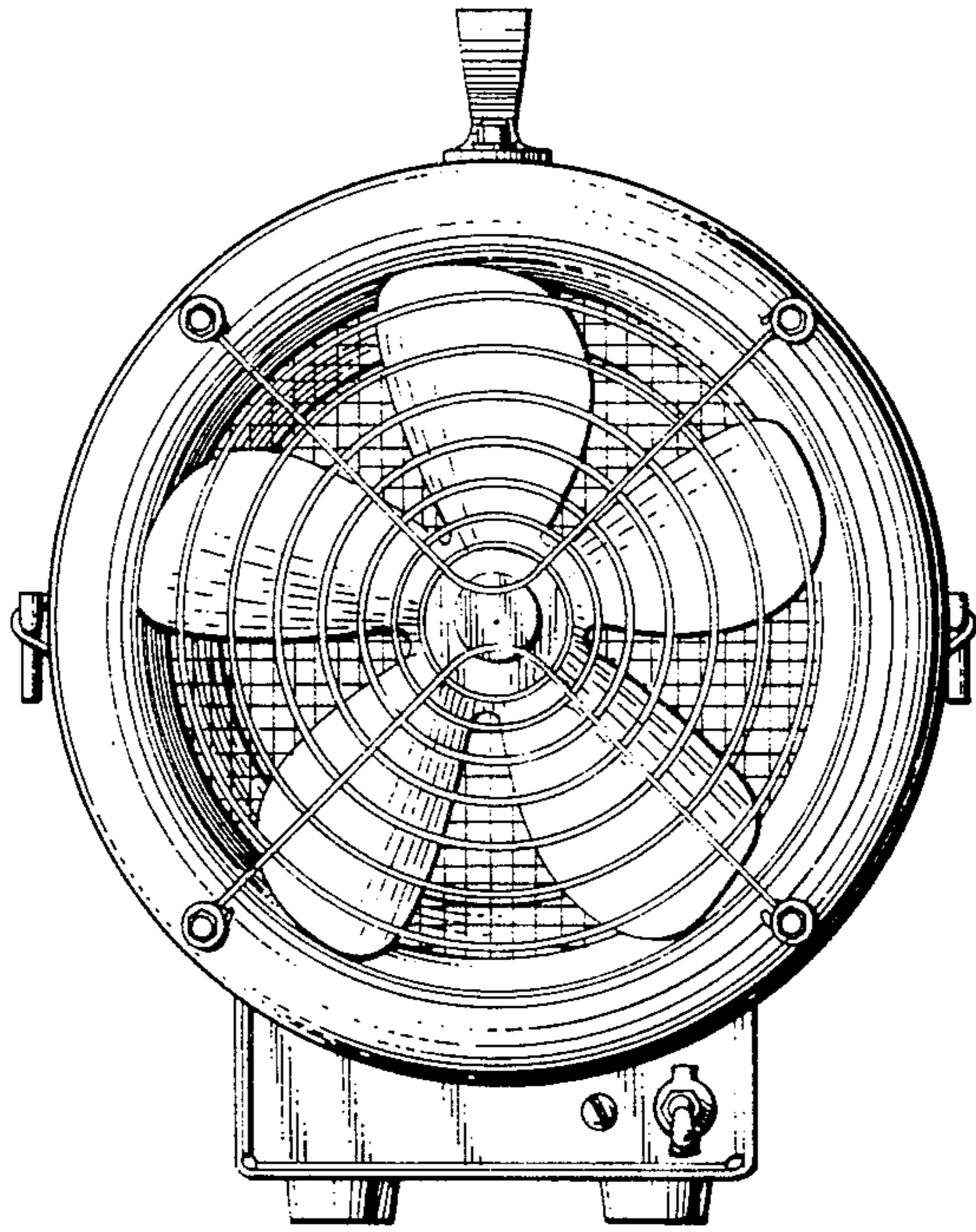


Fig. 4

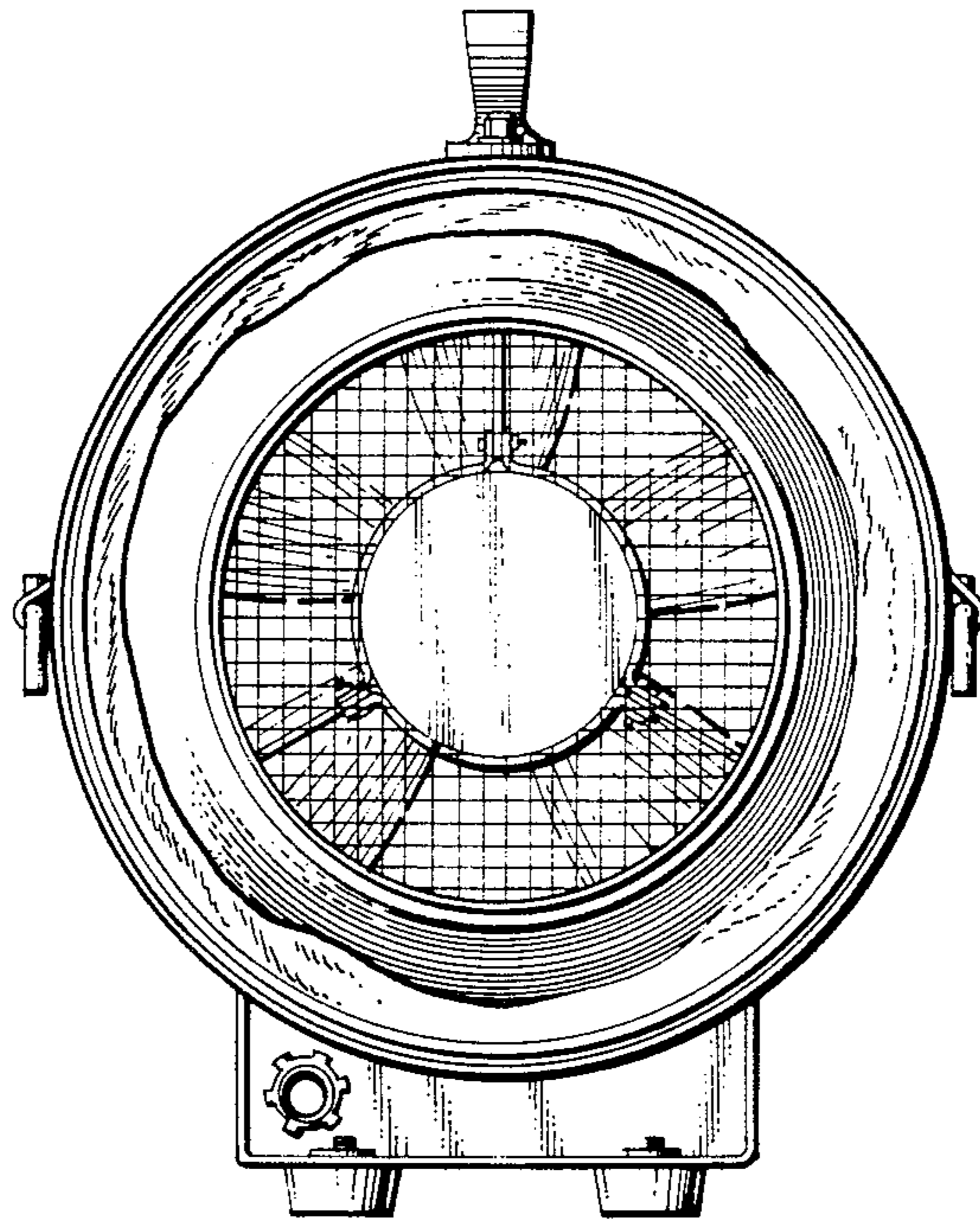


Fig. 5