

[54] COMBINED ESCUTCHEON, WATER VALVE AND DIVERTER VALVE FOR BATHTUB SHOWER UNITS

[75] Inventors: Andreas Haug, Altensteig; Thomas Schönherr, Egenhausen, both of Fed. Rep. of Germany

[73] Assignee: Hans Grohe GmbH & Co. KG, Fed. Rep. of Germany

[\*\*] Term: 14 Years

[21] Appl. No.: 772,343

[22] Filed: Sep. 4, 1985

[30] Foreign Application Priority Data

Mar. 15, 1985 [DE] Fed. Rep. of Germany ..... MR 1158-OB

[52] U.S. Cl. .... D23/31

[58] Field of Search ..... D23/23-32; 4/191, 192; 137/801

[56] References Cited

U.S. PATENT DOCUMENTS

D. 186,422 10/1959 Kohler ..... D23/31

D. 199,426	10/1964	Armstrong	.....	D23/29
D. 219,782	1/1971	Tiller	.....	D23/31
D. 253,607	12/1979	Haug	.....	D23/23
D. 254,088	1/1980	Haug	.....	D23/29
D. 265,581	7/1982	Kohler, Jr.	.....	D23/31
D. 271,705	12/1983	Fabian	.....	D23/26
D. 272,082	1/1984	Fabian	.....	D23/26

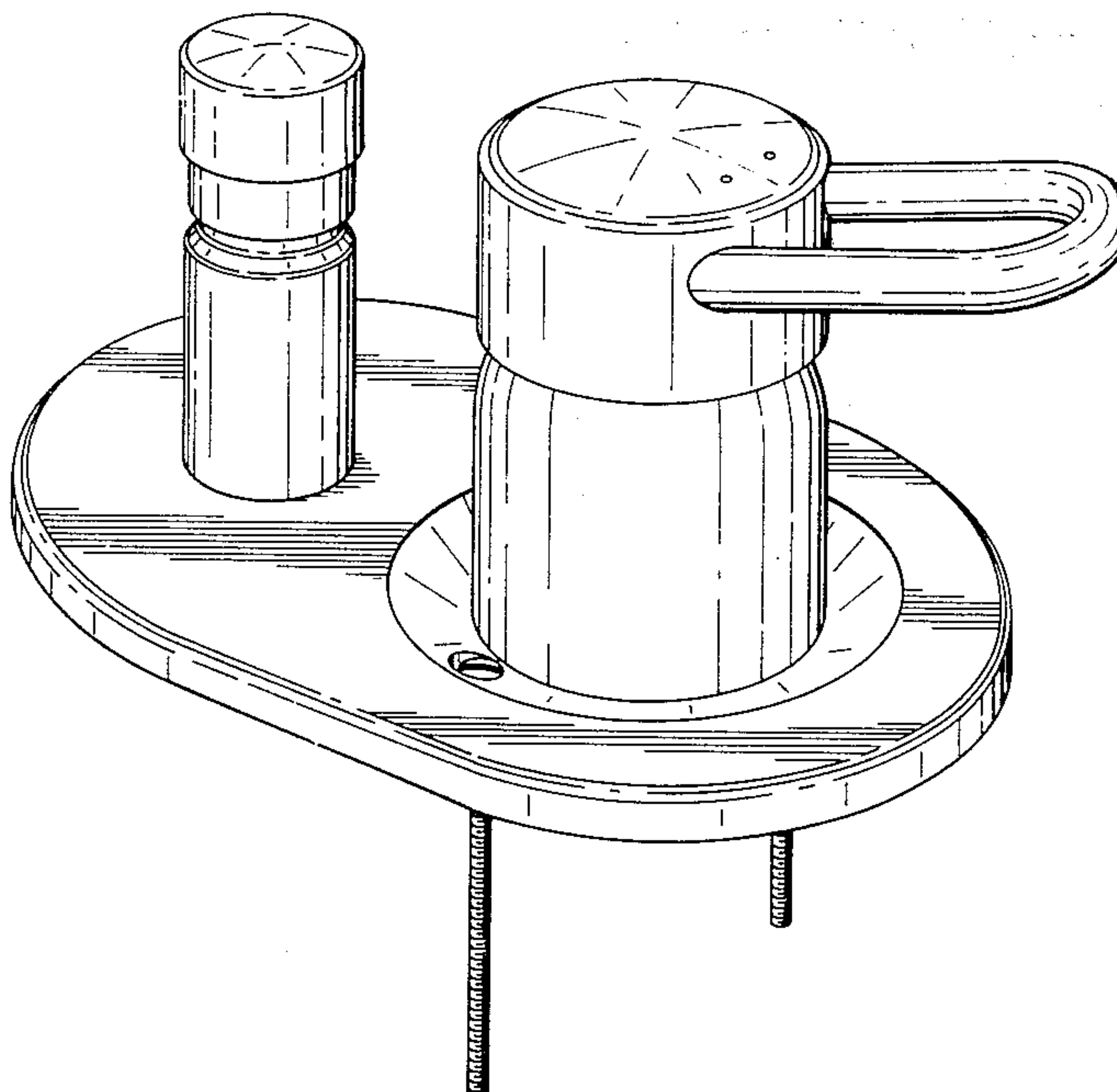
Primary Examiner—James R. Largen  
Attorney, Agent, or Firm—Steele, Gould & Fried

[57] CLAIM

The ornamental design for a combined escutcheon, water valve and diverter valve for bathtub shower units, as shown or described.

DESCRIPTION

FIG. 1 is a perspective view of a combined escutcheon, water valve and diverter valve for bathtub shower units showing our new design;  
FIG. 2 is a right side elevational view thereof, the left side being a mirror image of the right side shown;  
FIG. 3 is a front elevational view thereof;  
FIG. 4 is a top plan view thereof;  
FIG. 5 is a bottom plan view thereof; and  
FIG. 6 is a rear elevational view thereof.



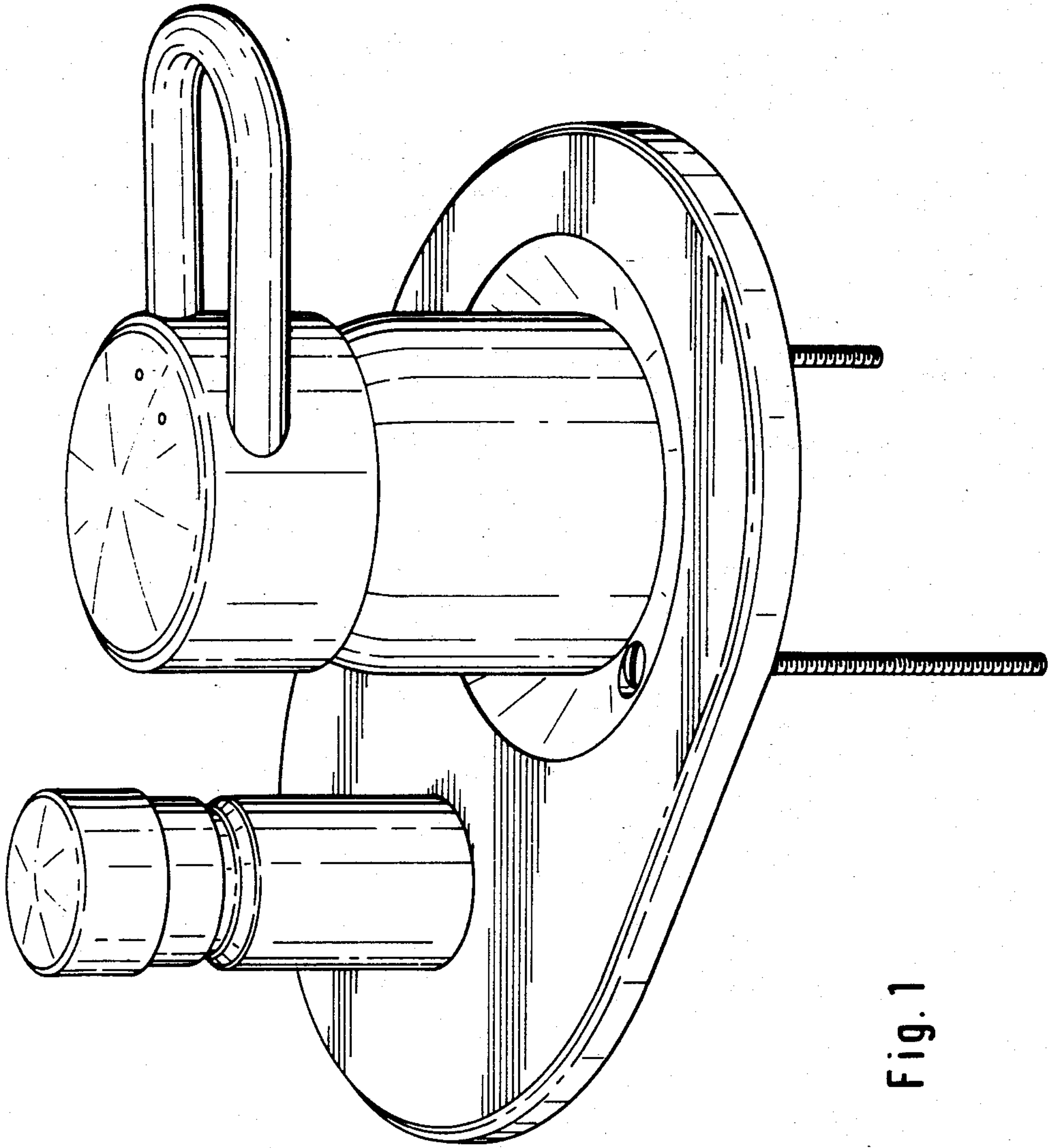


Fig. 1

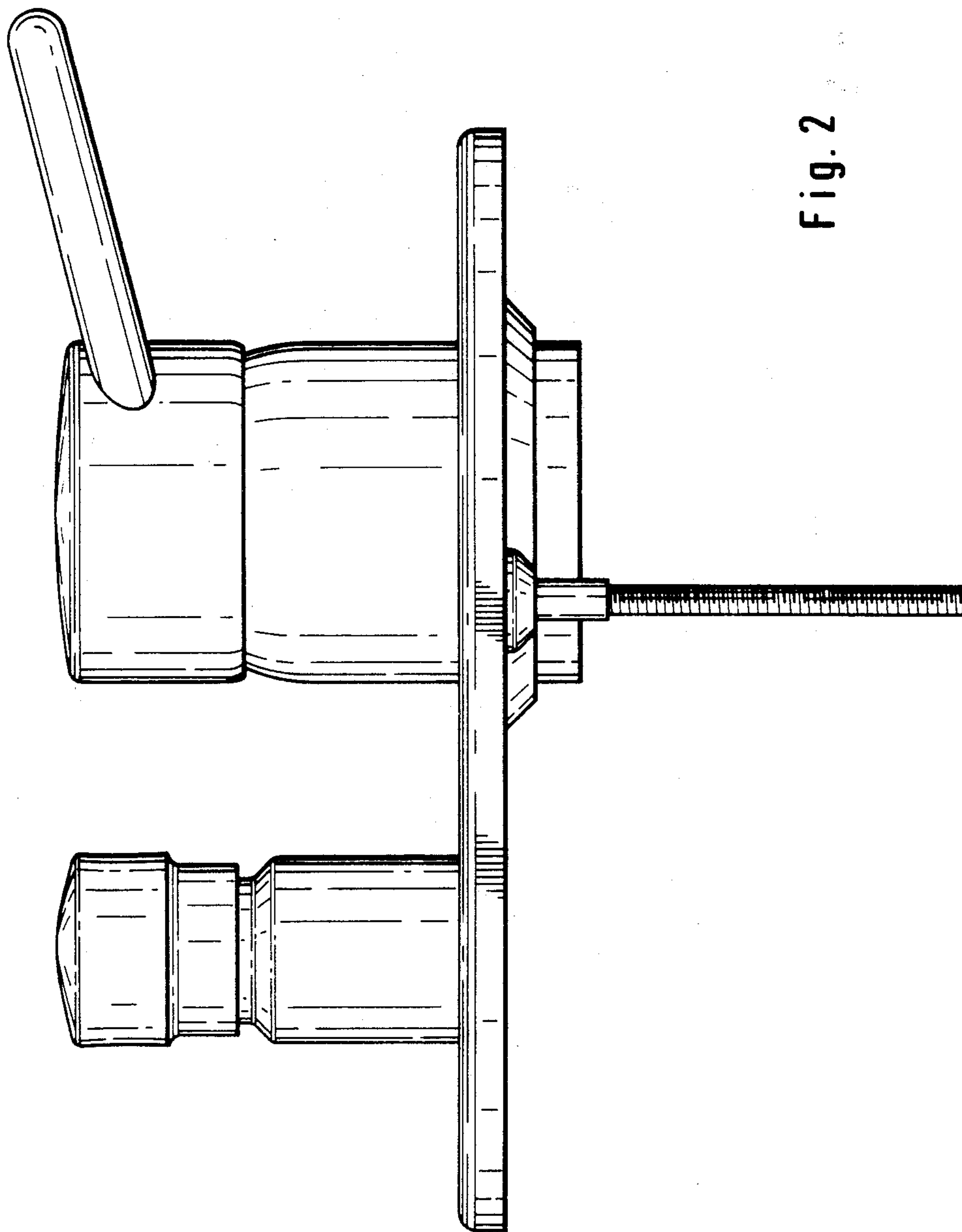


Fig. 2

Fig. 3

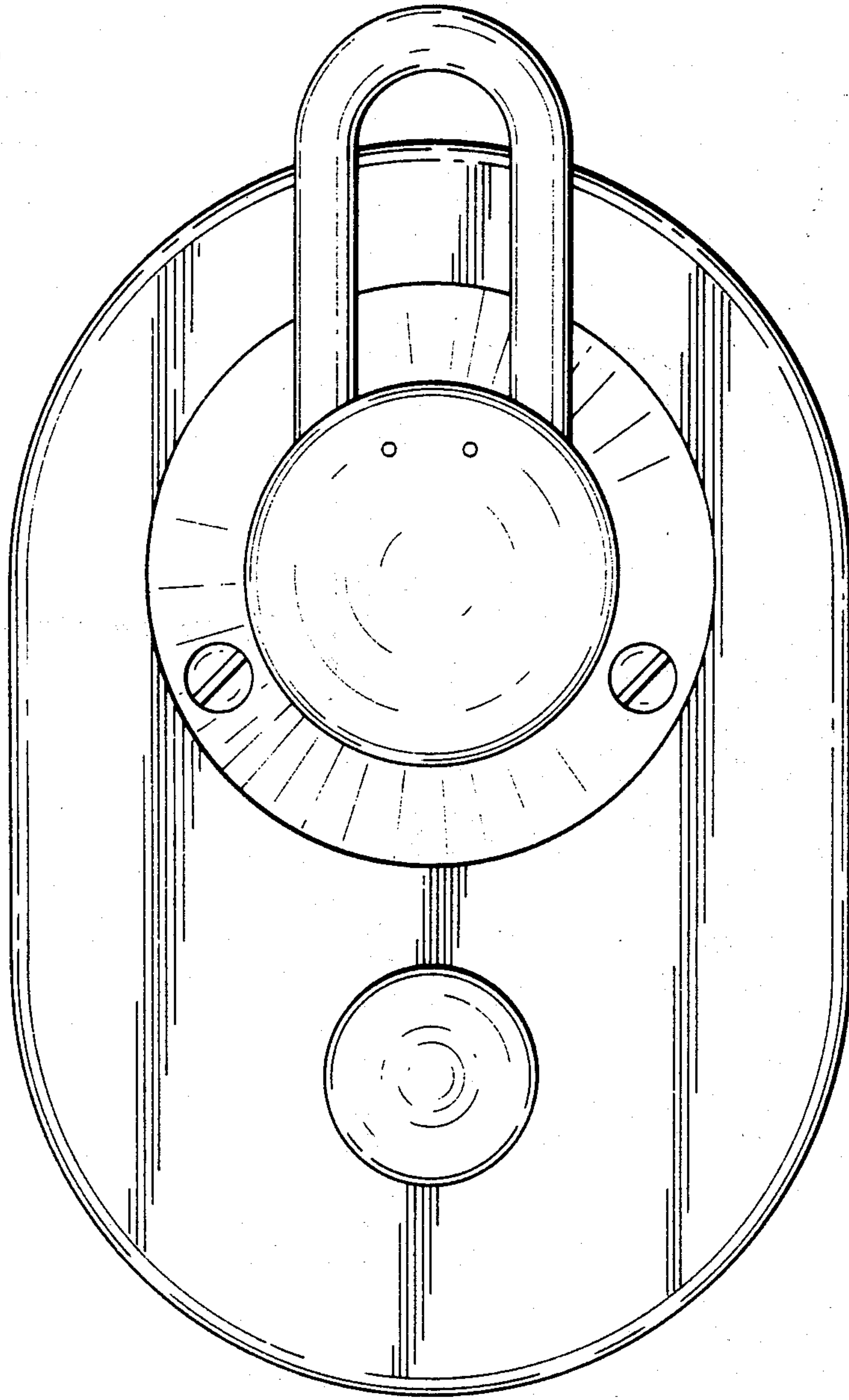


Fig. 4

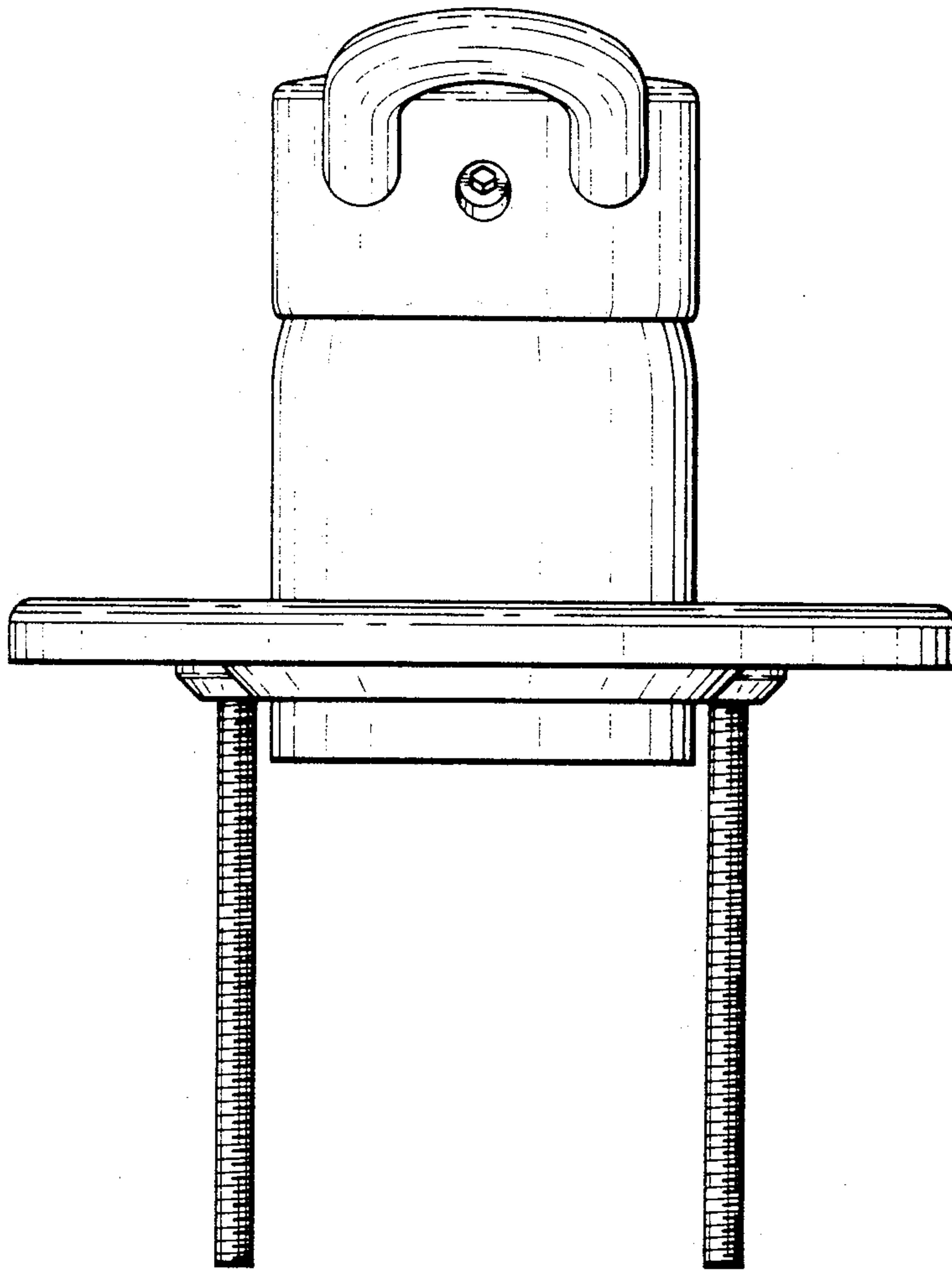


Fig. 5

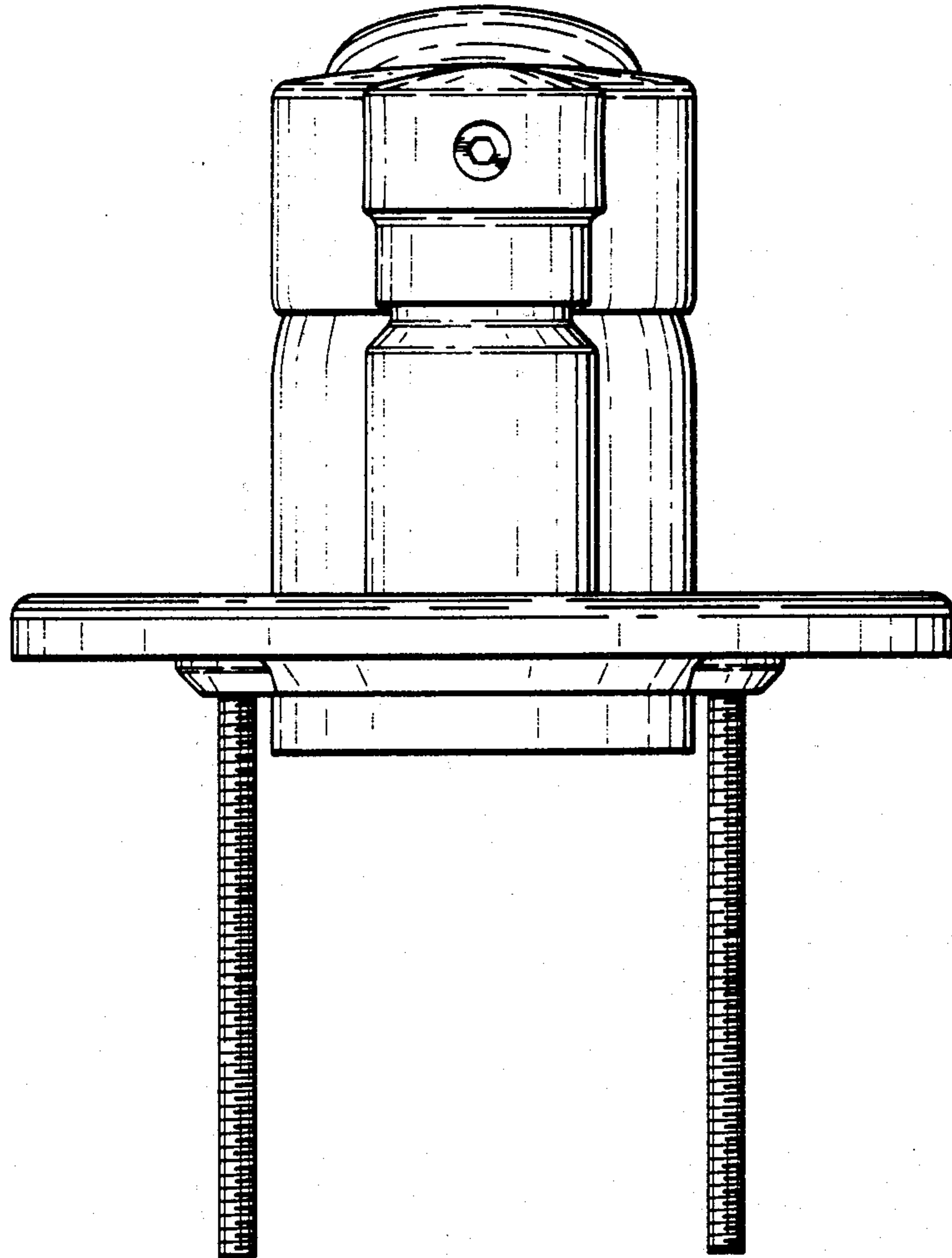




Fig. 6

