

[54] FAUCET HANDLE

[75] Inventors: **Andreas Haug**, Altensteig; **Thomas Schönherr**, Egenhausen, both of Fed. Rep. of Germany

[73] Assignee: **Hans Grohe GmbH & Co. KG**, Fed. Rep. of Germany

[**] Term: **14 Years**

[21] Appl. No.: **772,354**

[22] Filed: **Sep. 4, 1985**

[30] **Foreign Application Priority Data**

Mar. 15, 1985 [DE] Fed. Rep. of Germany MR 1158 Ob

[52] U.S. Cl. **D23/29**

[58] Field of Search **D23/23-32; 4/191, 192; 137/801**

[56] **References Cited**

U.S. PATENT DOCUMENTS

D. 113,398	2/1939	Reinecke	D23/23
D. 199,426	10/1964	Armstrong	D23/29
D. 219,781	1/1971	Niemann	D23/29
D. 223,913	6/1972	Niemann	D23/29
D. 237,494	11/1975	Gustafsson	D23/25
D. 254,088	1/1980	Haug	D23/29

Primary Examiner—James R. Largen
Attorney, Agent, or Firm—Steele, Gould & Fried

[57] **CLAIM**

The ornamental design for a faucet handle, as shown or described.

DESCRIPTION

FIG. 1 is a perspective view of a faucet handle showing our new design;
FIG. 2 is a front elevational view thereof;
FIG. 3 is a rear elevational view thereof;
FIG. 4 is a top plan view thereof;
FIG. 5 is a right side elevational view thereof, the left side being a mirror image of the right side shown; and
FIG. 6 is a bottom plan view thereof.

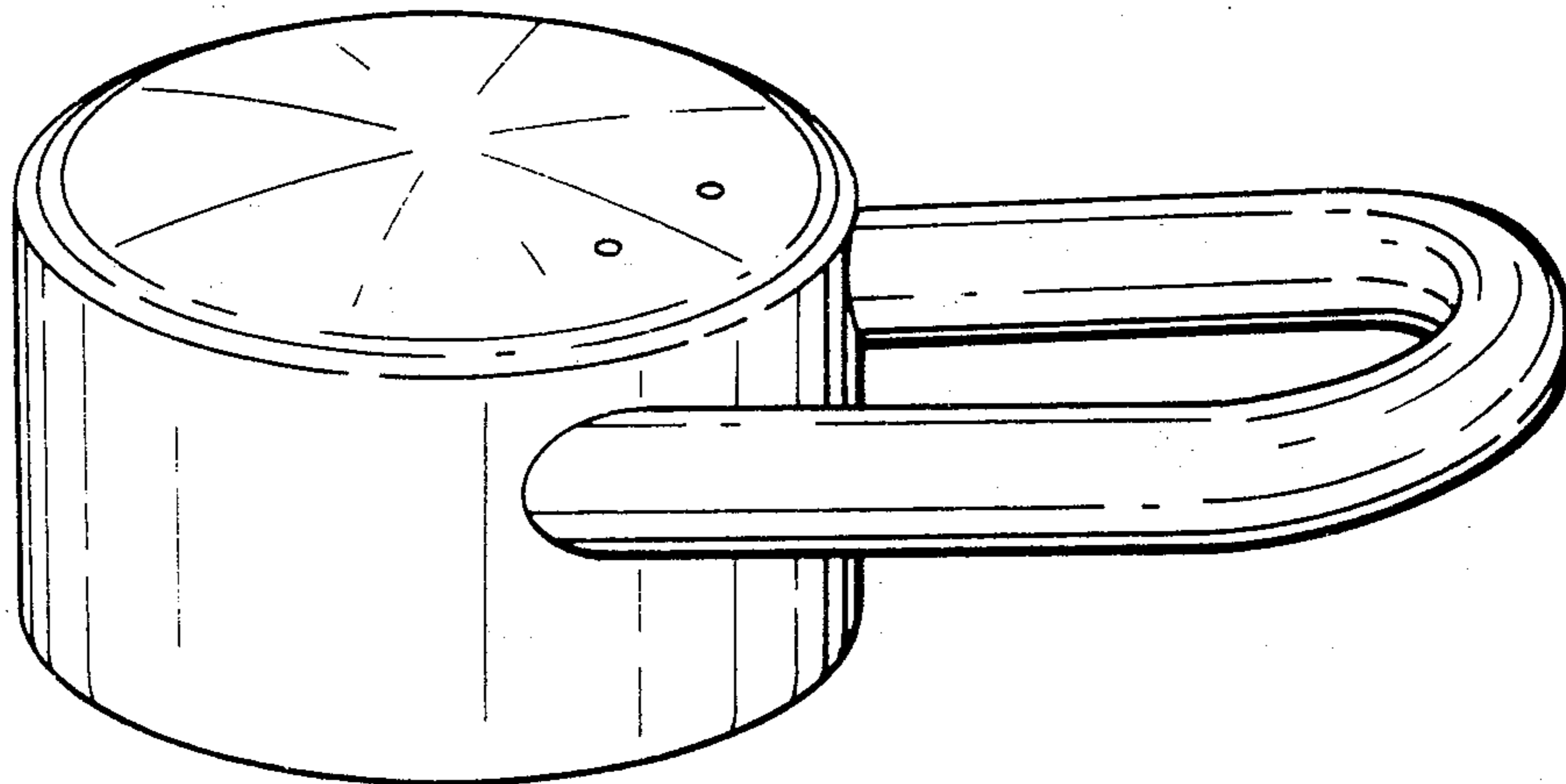


Fig. 1

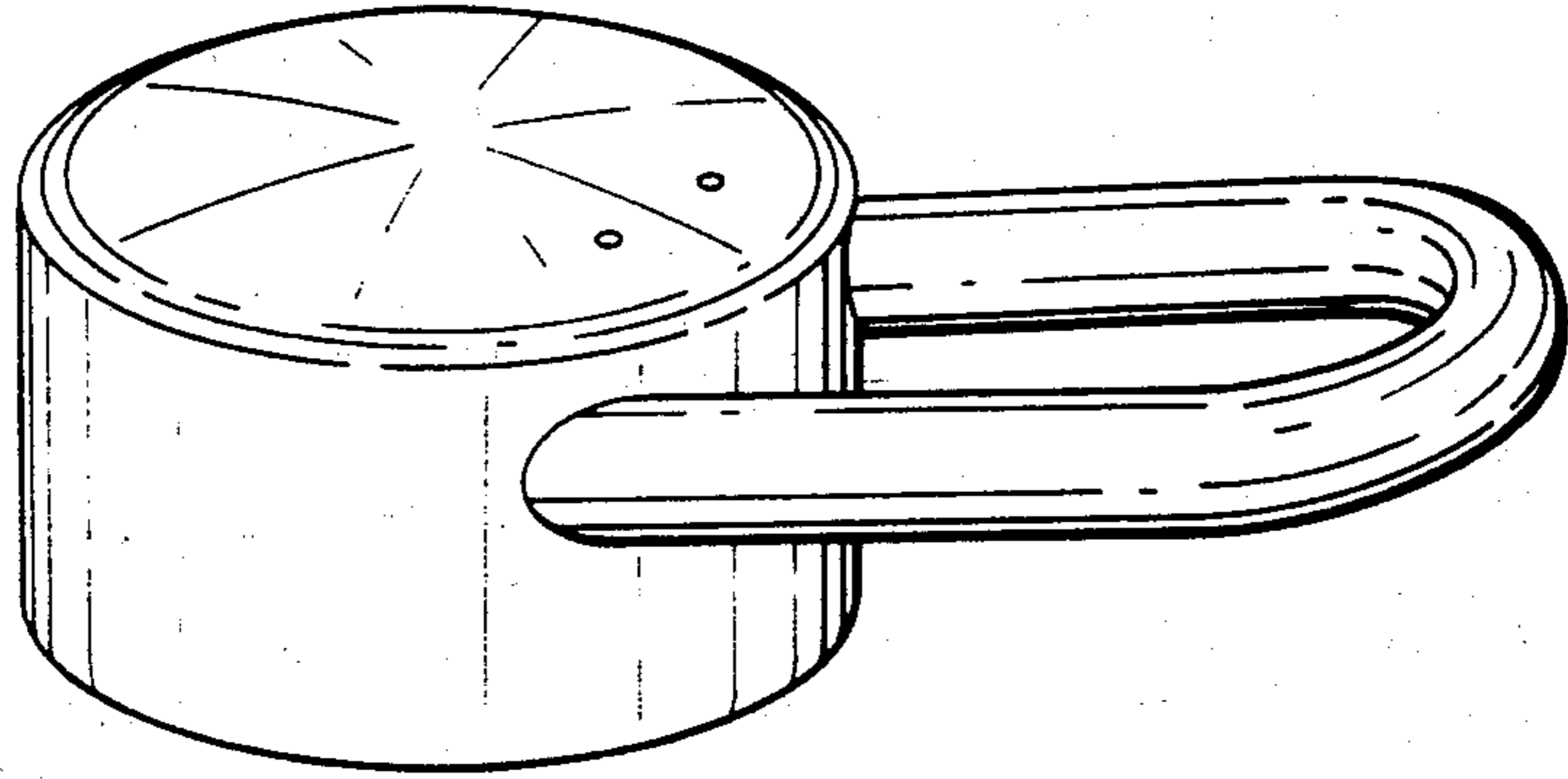


Fig. 2

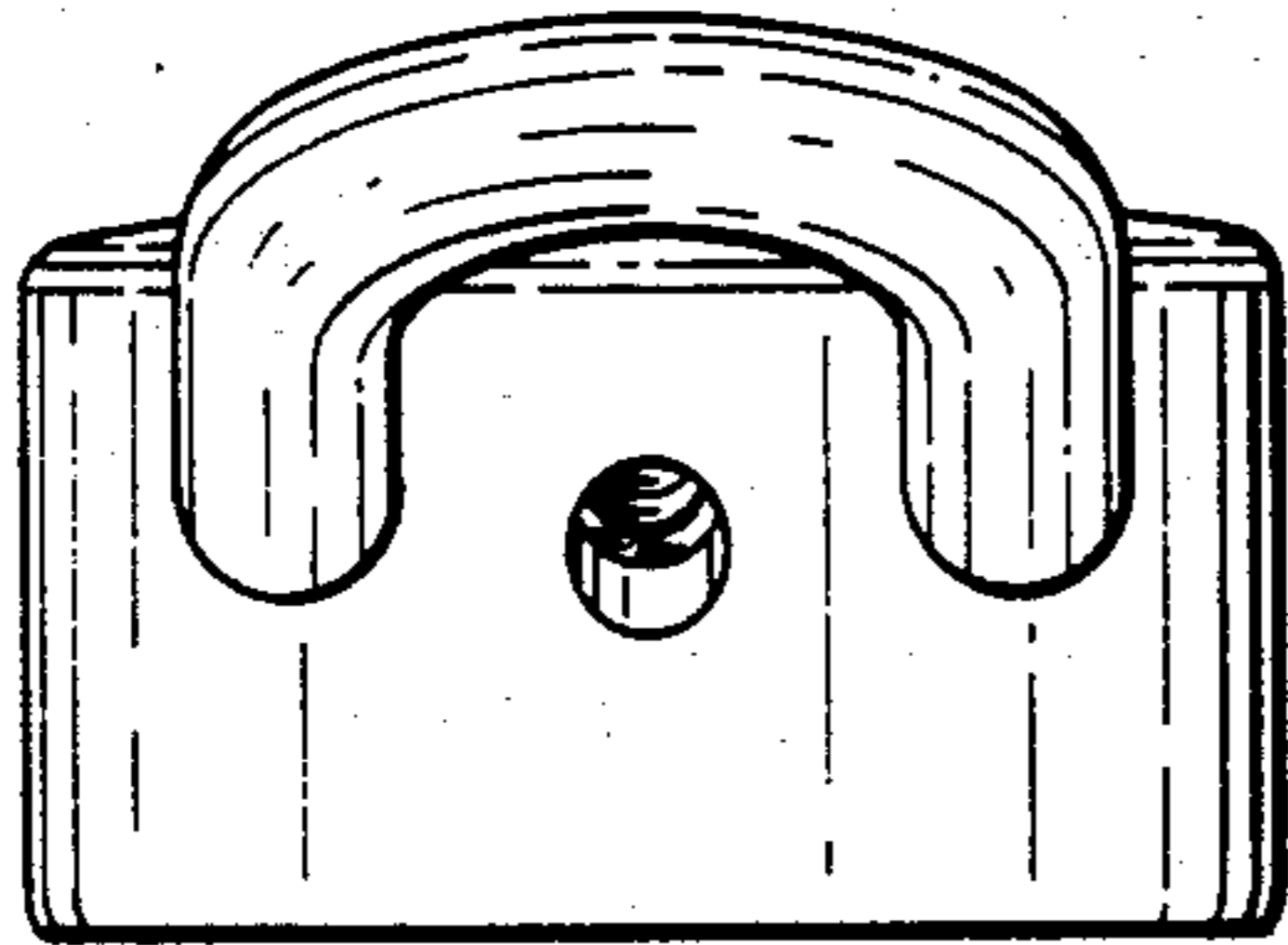


Fig. 3

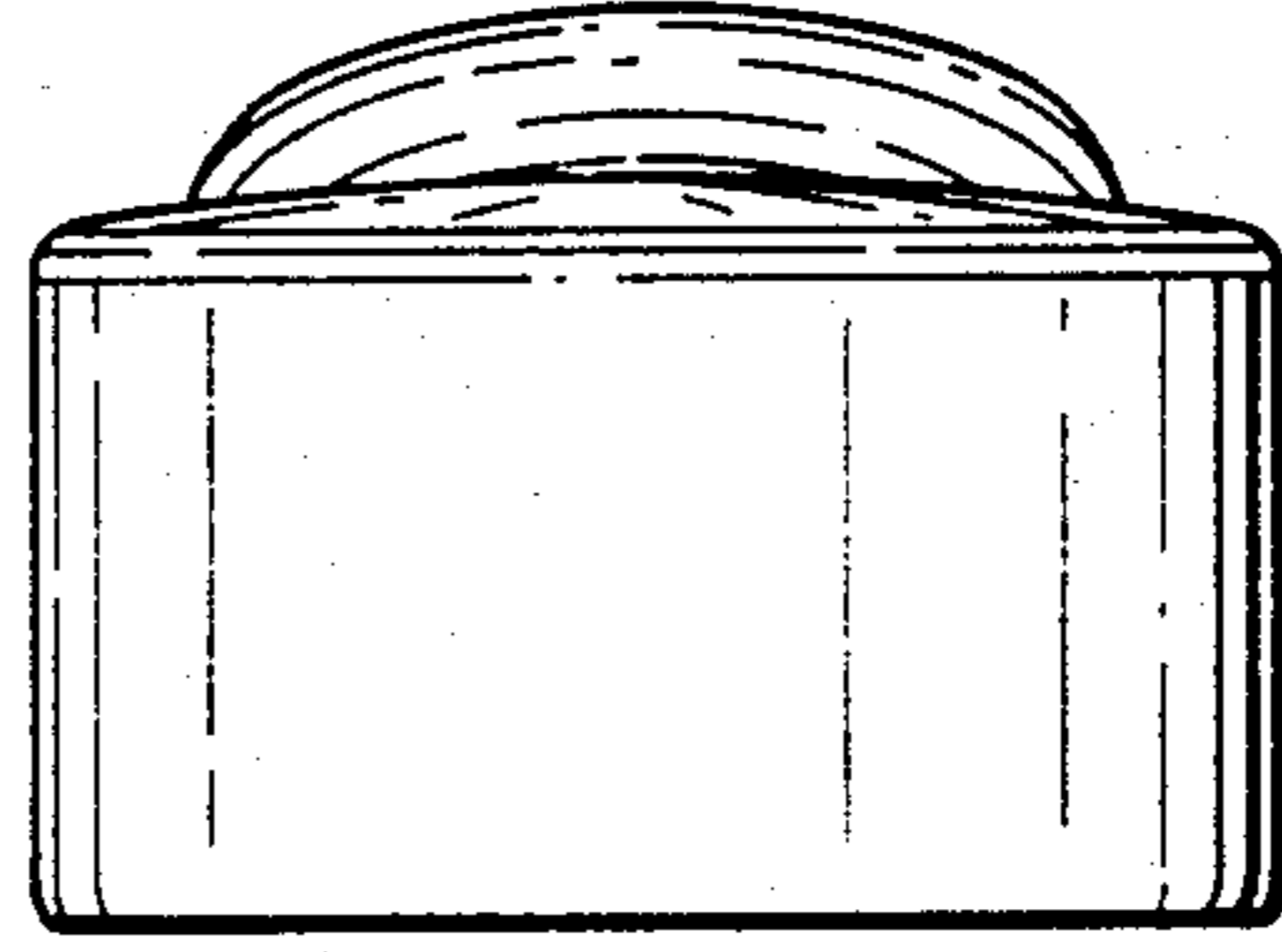


Fig. 4

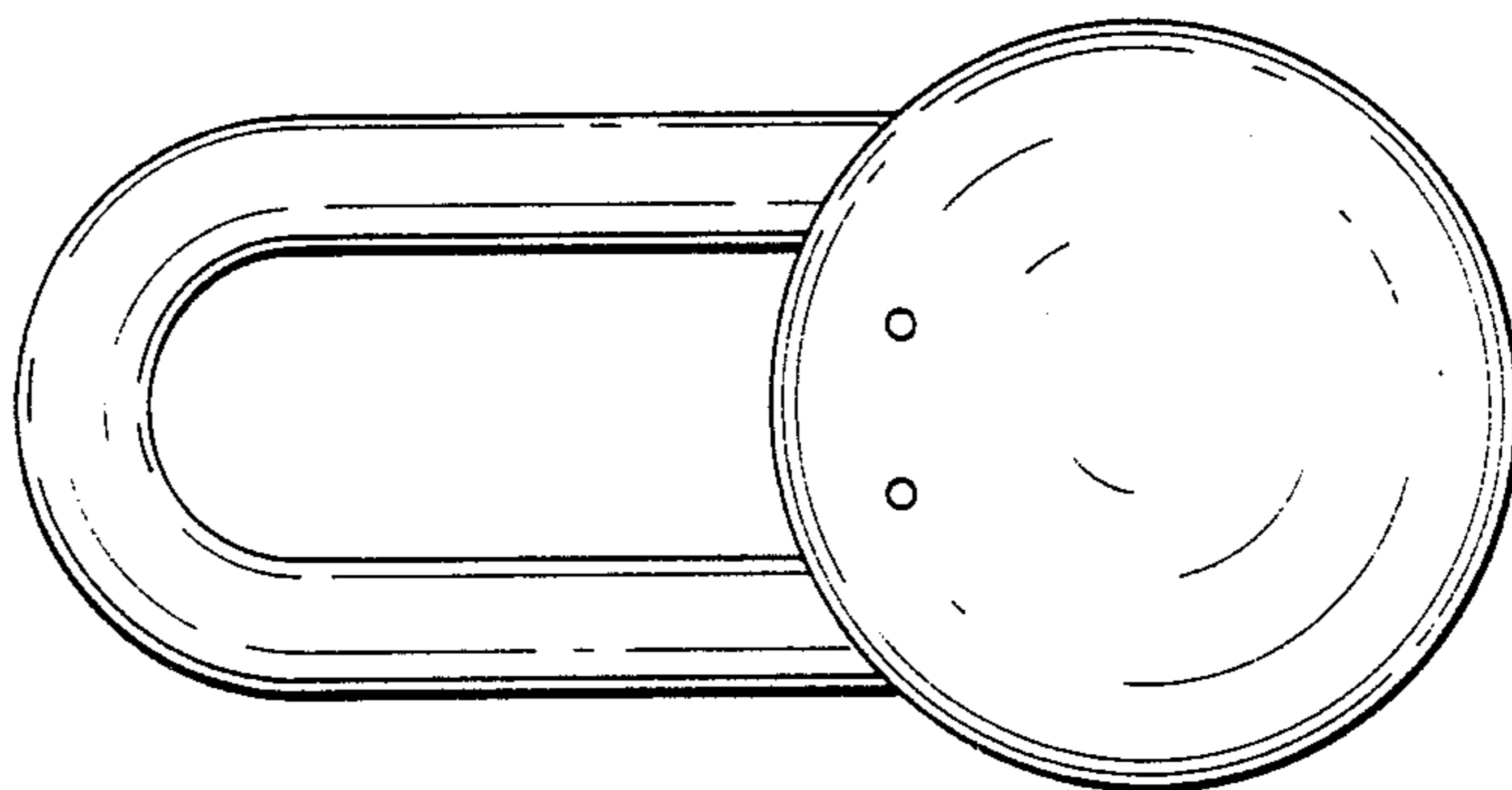


Fig. 5

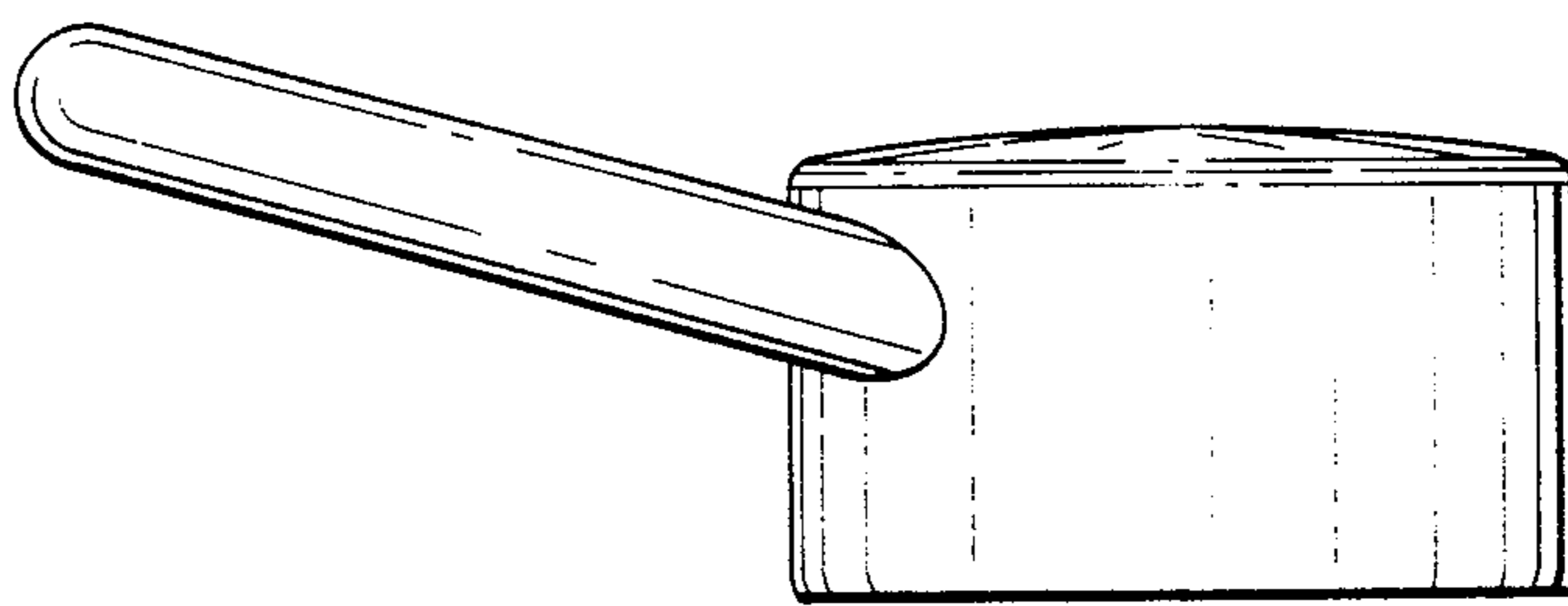


Fig. 6

