

# United States Patent [19]

Delepine

[11] Patent Number: **Des. 291,237**

[45] Date of Patent: **\*\* Aug. 4, 1987**

[54] FAUCET HANDLE

[76] Inventor: **Jean-Claude Delepine**, 23, Rue de Clapeyron, 75008, Paris, France

[\*\*] Term: **14 Years**

[21] Appl. No.: **786,092**

[22] Filed: **Oct. 10, 1985**

[30] **Foreign Application Priority Data**

May 3, 1985 [XH] Hague ..... DM/005222

[52] U.S. Cl. .... **D23/28**

[58] Field of Search ..... D23/23-32;  
16/121; D8/307-312

[56] **References Cited**

**U.S. PATENT DOCUMENTS**

D. 187,848 5/1960 Hulyk ..... D23/28  
D. 279,596 7/1985 Rademacher ..... D23/28  
D. 279,597 7/1985 Rademacher ..... D23/28  
D. 280,437 9/1985 Rademacher ..... D23/23  
D. 287,161 12/1986 Piesco ..... D23/28  
D. 287,163 12/1986 Piesco ..... D23/28

*Primary Examiner*—James R. Largen

*Attorney, Agent, or Firm*—Fisher, Christen & Sabol

[57] **CLAIM**

The ornamental design for a faucet handle, substantially as shown and described.

**DESCRIPTION**

FIG. 1 is a perspective view of a faucet handle showing my new design;

FIG. 2 is a side elevational view thereof the other sides being the same as the side shown; and

FIG. 3 is a top plan view thereof.

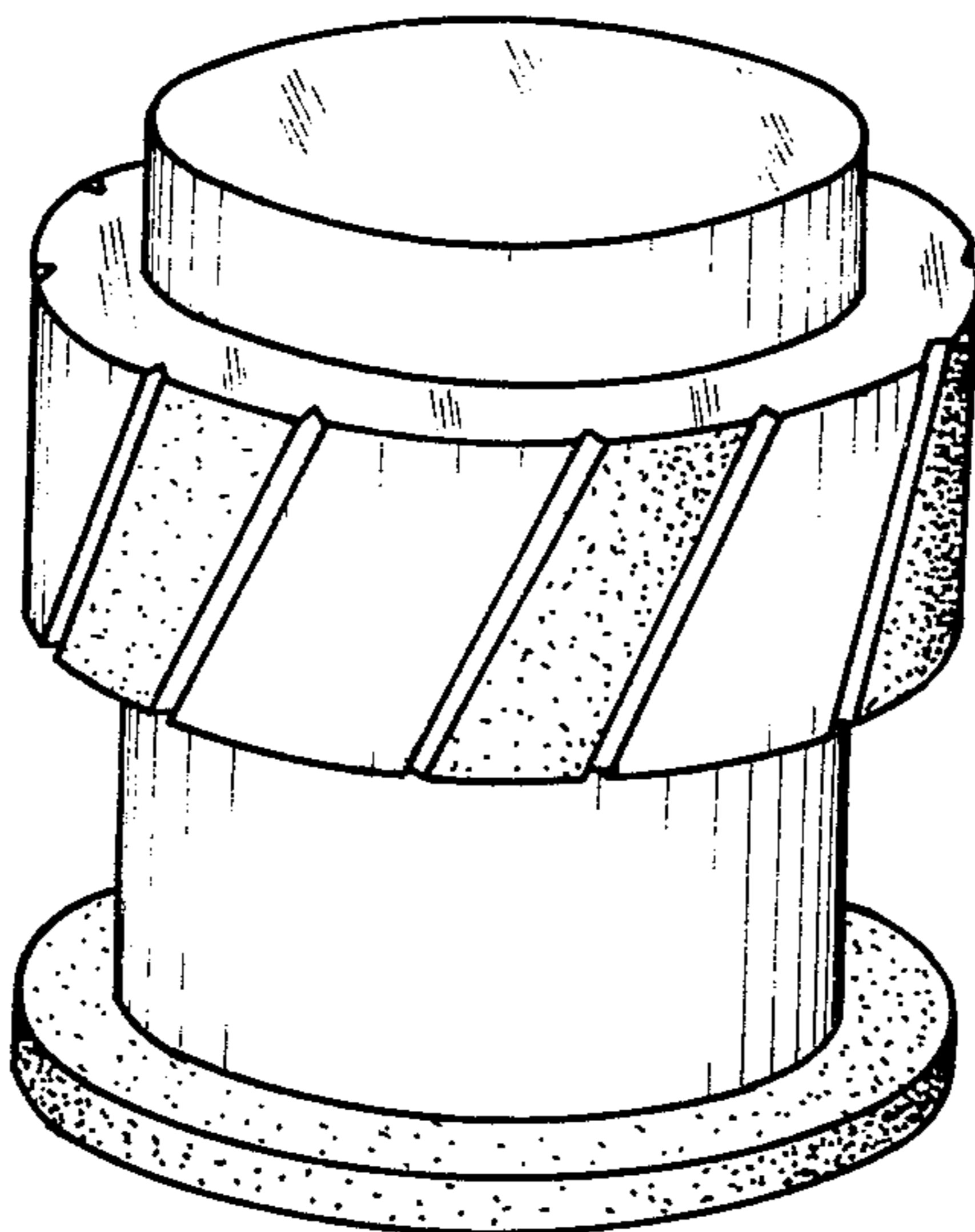


FIG. 1

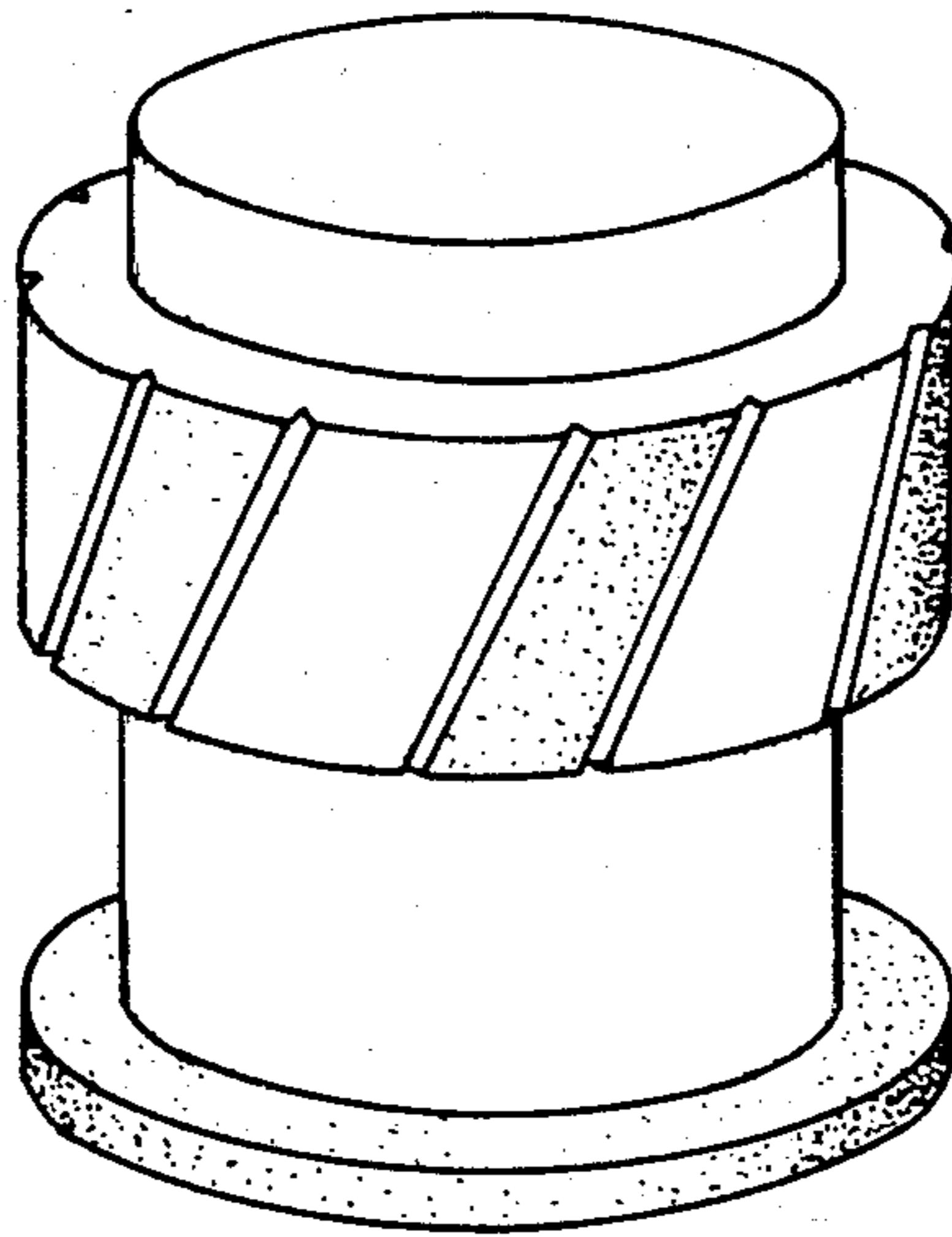


FIG. 2

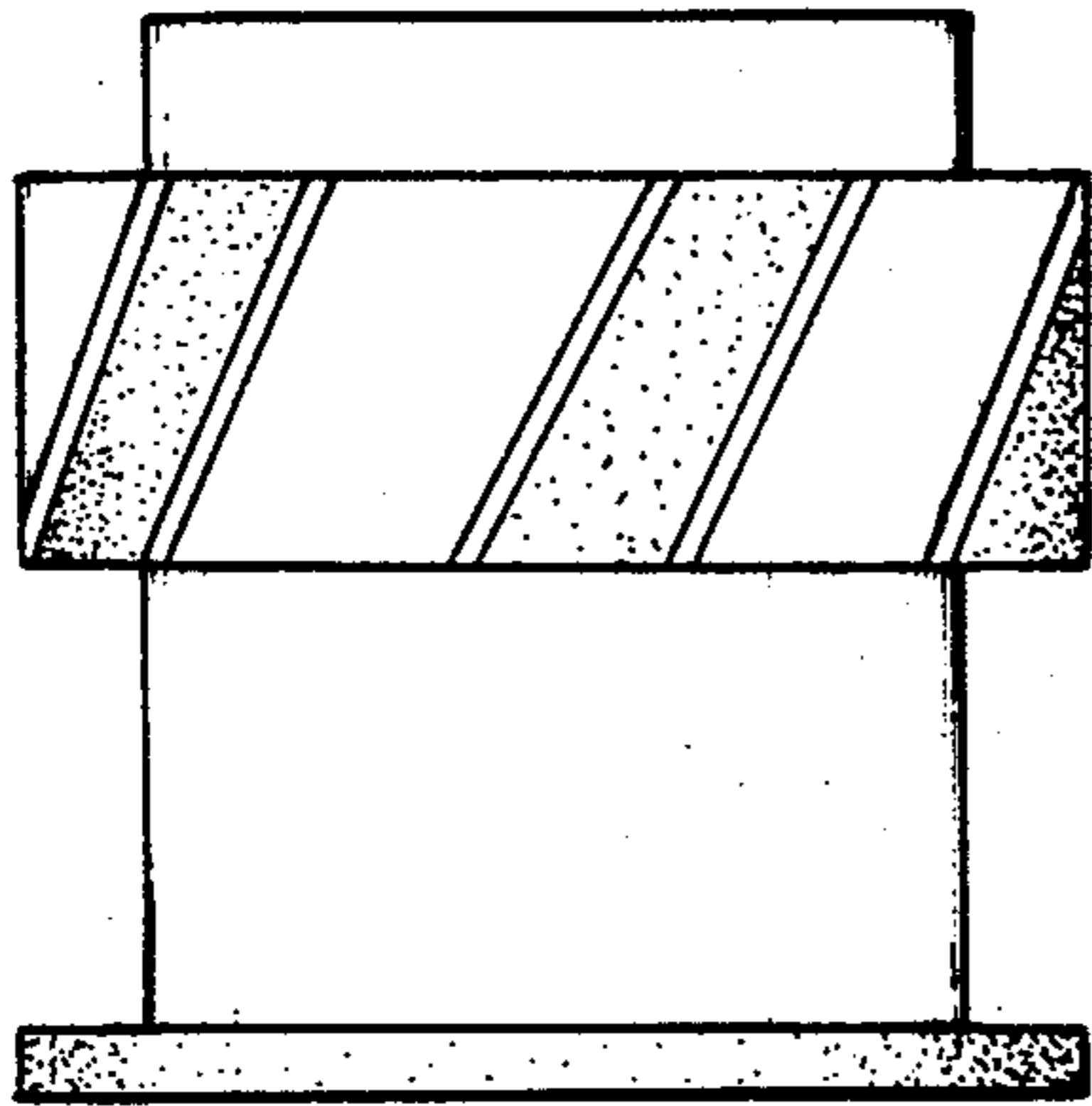


FIG. 3

