

United States Patent [19]

Delepine

[11] Patent Number: **Des. 291,236**

[45] Date of Patent: **** Aug. 4, 1987**

[54] FAUCET SET

[76] Inventor: **Jean-Claude Delepine, 23, Rue de Clapeyron, 75008, Paris, France**

[**] Term: **14 Years**

[21] Appl. No.: **786,093**

[22] Filed: **Oct. 10, 1985**

[30] Foreign Application Priority Data

May 3, 1985 [XH] Hague DM/005222

[52] U.S. Cl. **D23/25**

[58] Field of Search D23/23-32;
4/191, 192; 137/801

[56] References Cited

U.S. PATENT DOCUMENTS

D. 271,514 11/1983 Paul D23/25

D. 273,512 4/1984 Arnolds D23/25
D. 278,270 4/1985 Niemann D23/32
D. 278,271 4/1985 Niemann D23/32
D. 279,598 7/1985 Rademacher D23/32
D. 284,992 8/1986 Joerger D23/25
D. 287,163 12/1986 Piesco D23/28

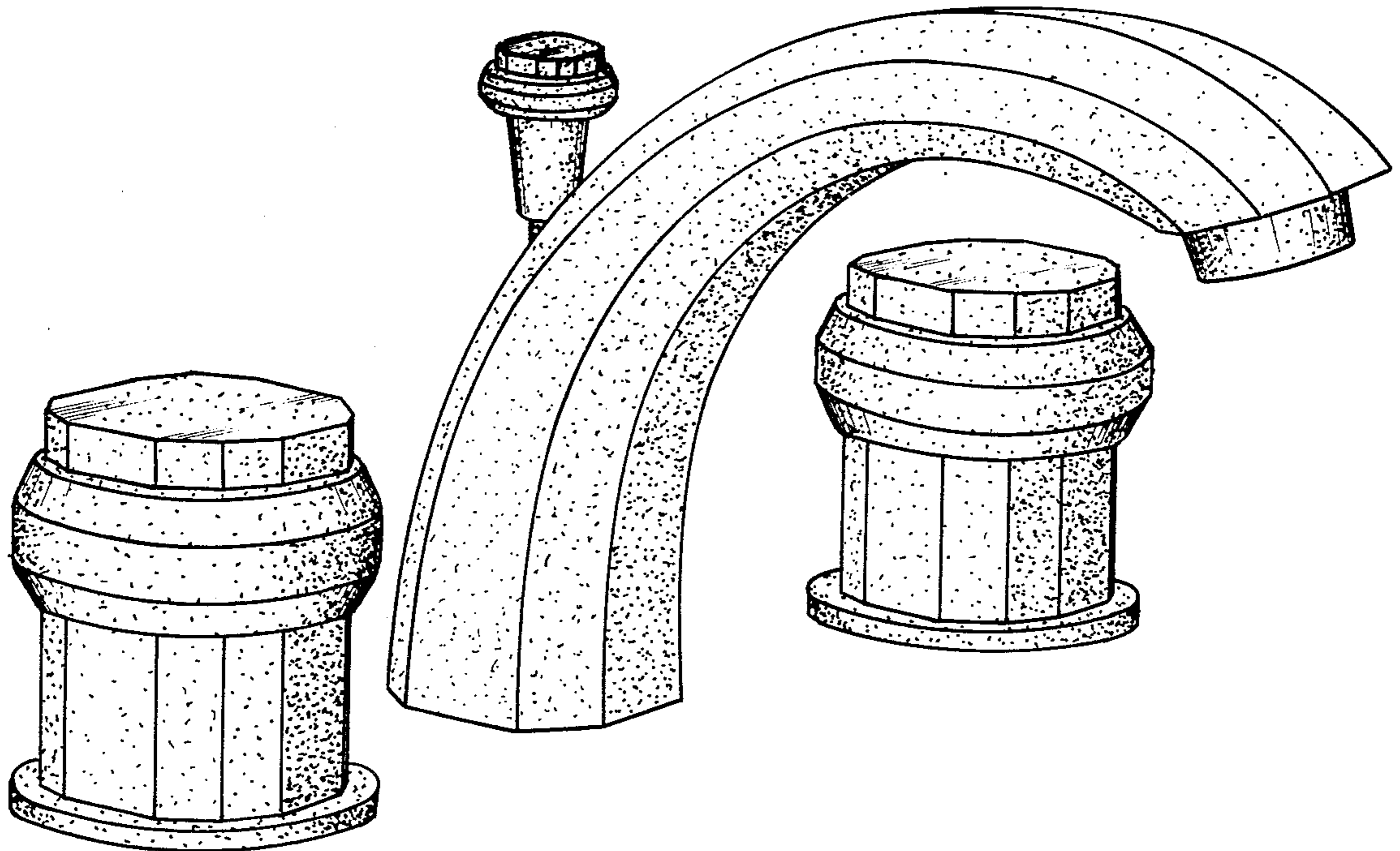
Primary Examiner—James R. Largen
Attorney, Agent, or Firm—Fisher, Christen & Sabol

[57] CLAIM

The ornamental design for a faucet set, substantially as shown and described.

DESCRIPTION

FIG. 1 is a perspective view taken from the top, front and left side of a faucet set showing my new design; FIG. 2 is a front elevational view of the spout portion thereof; and FIG. 3 is a rear elevational view of FIG. 2.



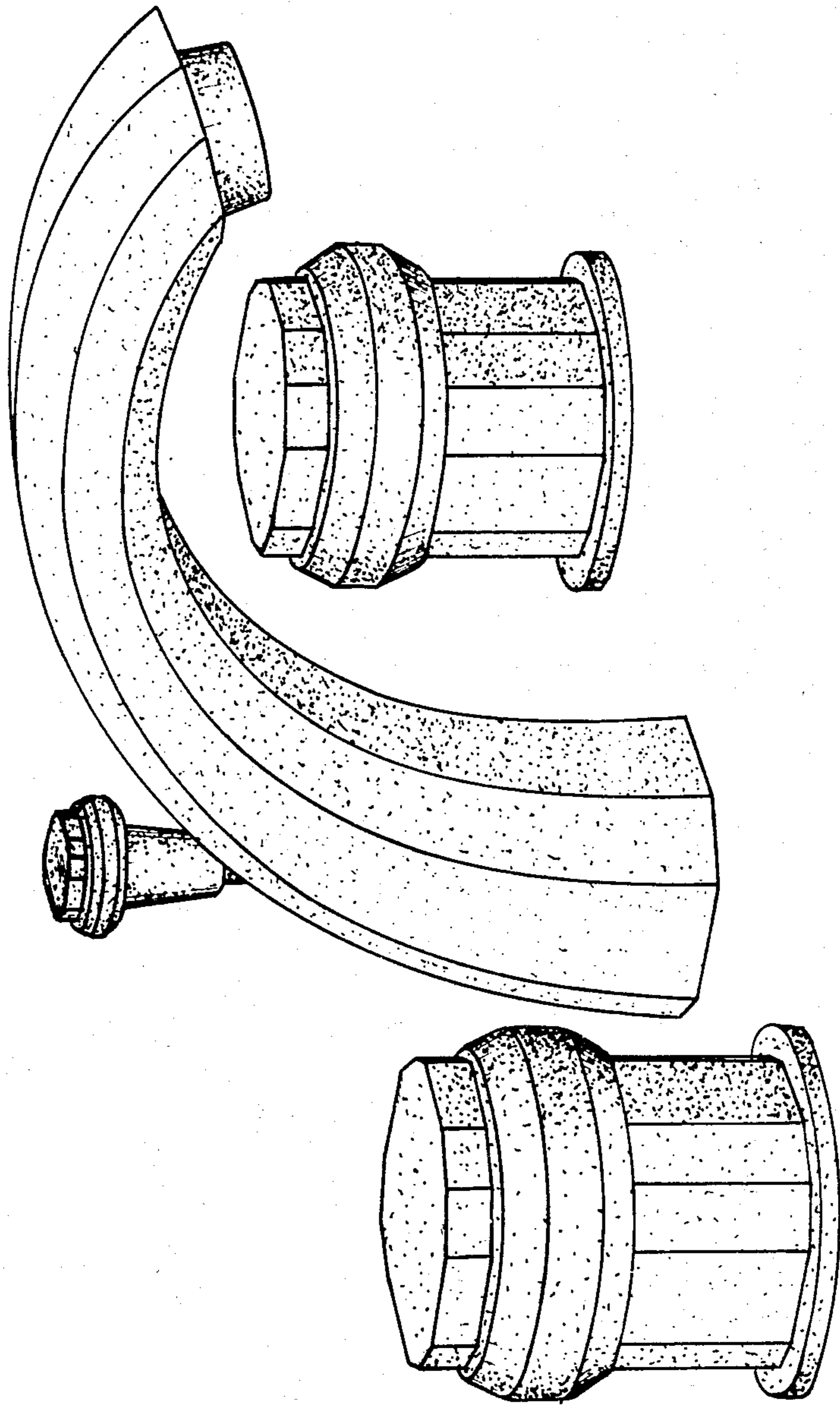


FIG. 1

FIG. 2

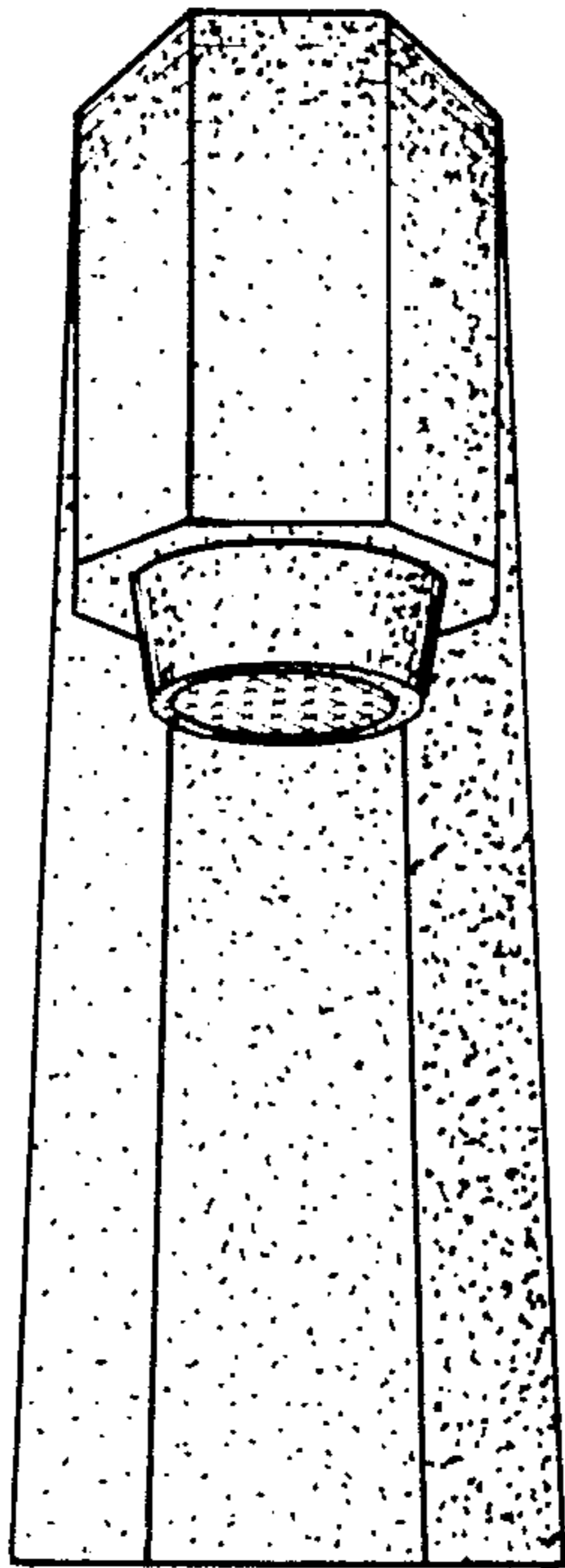


FIG. 3

