

[54] FAUCET SET

[75] Inventor: Franz W. Jans, Offenbach am Main, Fed. Rep. of Germany

[73] Assignee: Jado Bathroom and Hardware Manufacturing, Inc., Camarillo, Calif.

[**] Term: 14 Years

[21] Appl. No.: 804,748

[22] Filed: Nov. 12, 1985

[52] U.S. Cl. D23/25

[58] Field of Search D23/23-32; 4/191, 192; 137/801

[56] References Cited

U.S. PATENT DOCUMENTS

D. 253,607	12/1979	Haug	D23/23
D. 266,349	9/1982	Piesco	D23/32
D. 266,350	9/1982	Piesco	D23/32
D. 273,512	4/1984	Arnolds	D23/25
D. 281,097	10/1985	Arnold	D23/25
D. 284,302	6/1986	Hammarstedt	D23/25
D. 284,992	8/1986	Joerger	D23/25

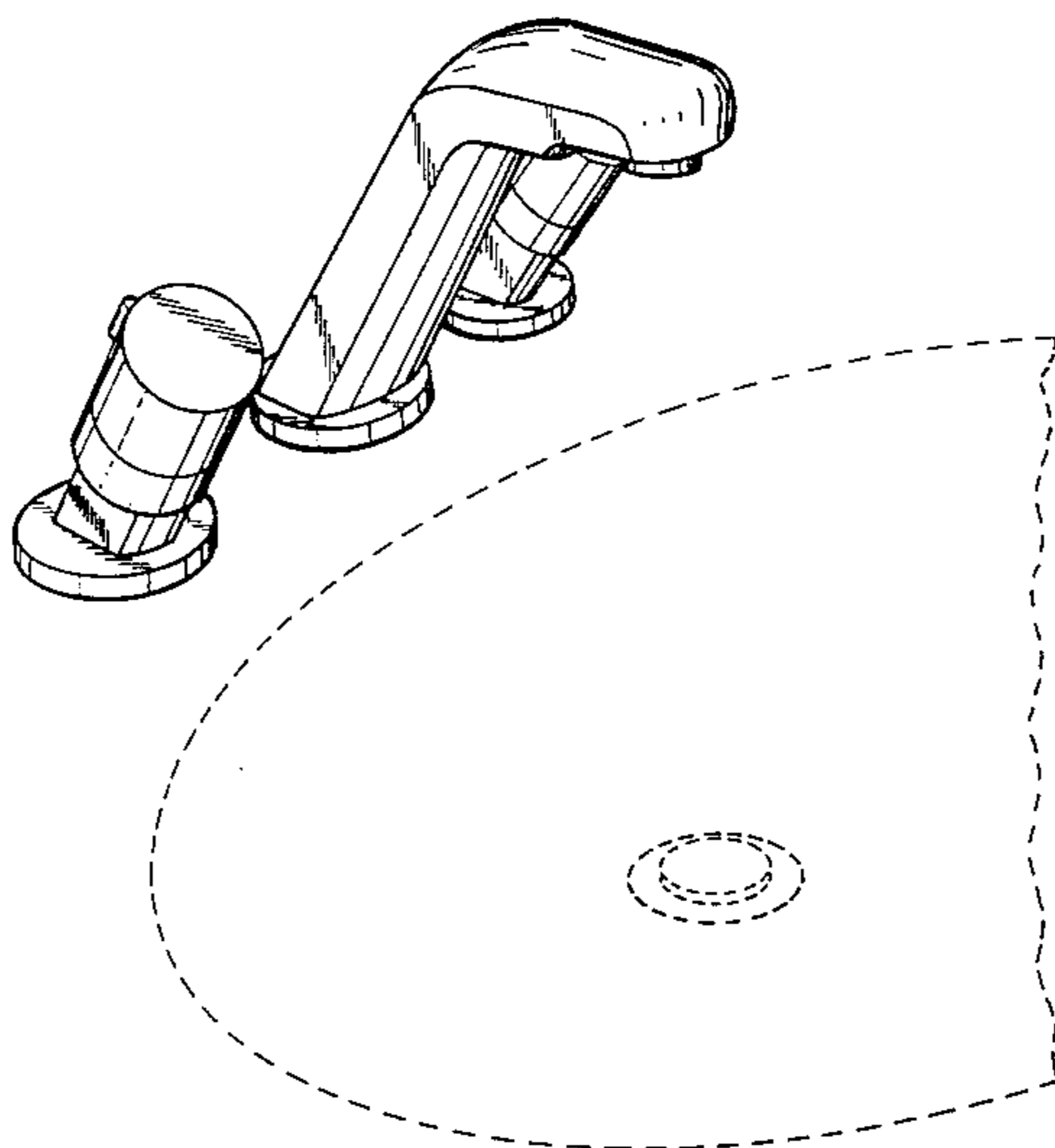
Primary Examiner—James R. Largen
Attorney, Agent, or Firm—H. Michael Brucker

[57] CLAIM

The ornamental design for a faucet set, as shown and described.

DESCRIPTION

FIG. 1 is a perspective view of a faucet set showing my new design;
 FIG. 2 is a left side elevational view of one handle thereof, the right side being a mirror image of the left side shown;
 FIG. 3 is a front elevational view of FIG. 2;
 FIG. 4 is a top plan view of FIG. 2;
 FIG. 5 is a rear elevational view of FIG. 2;
 FIG. 6 is a left side elevational view of the spout thereof, the right side being a mirror image of the left side shown;
 FIG. 7 is a front elevational view of FIG. 6;
 FIG. 8 is a top plan view of FIG. 6;
 FIG. 9 is a rear elevational view of FIG. 6; and
 FIG. 10 is a bottom plan view of FIG. 6.
 The broken line representation of a portion of a sink in FIG. 1 is for purposes of illustration only.



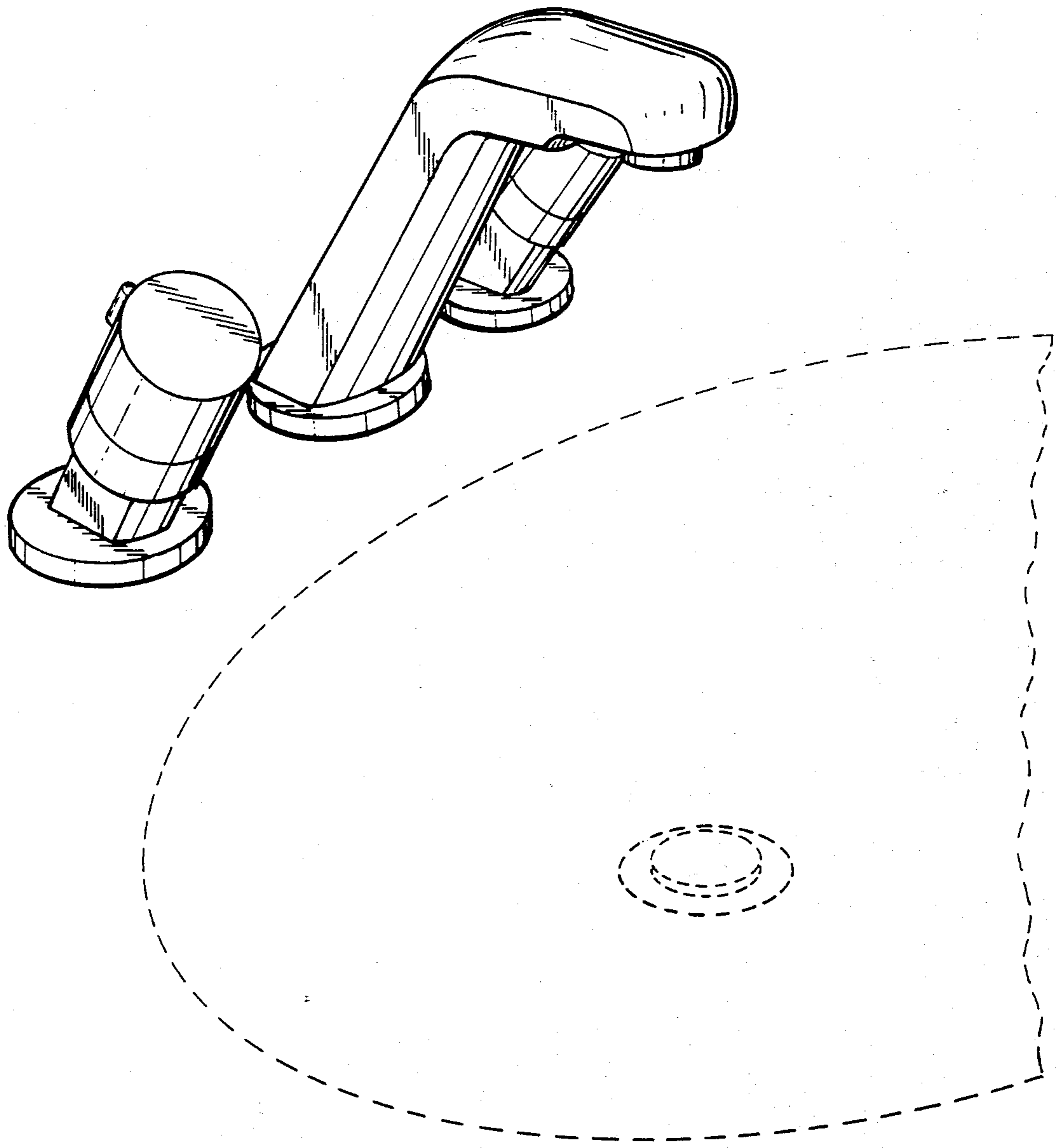


FIG. 1.

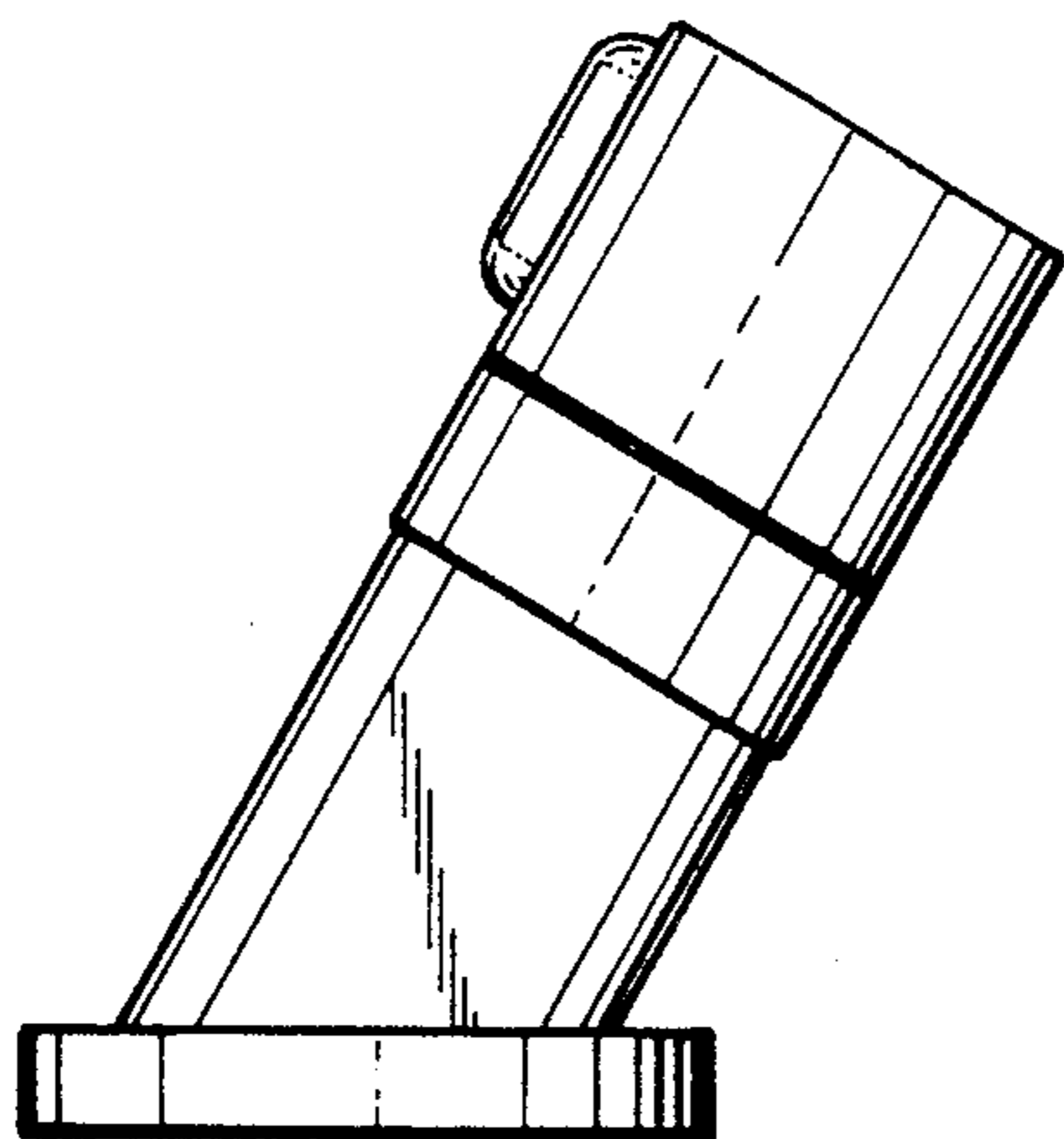


FIG._2.

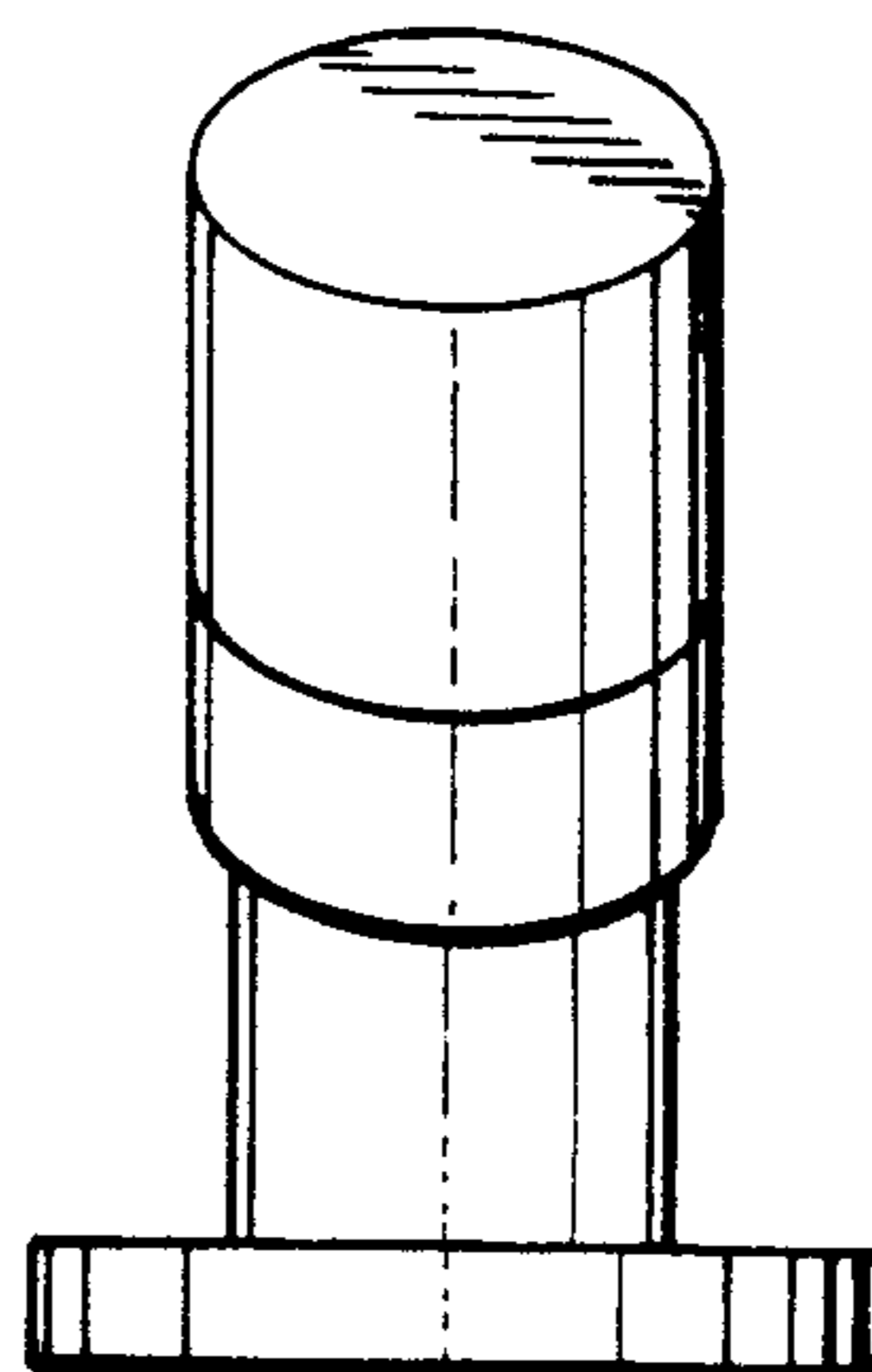


FIG._3.

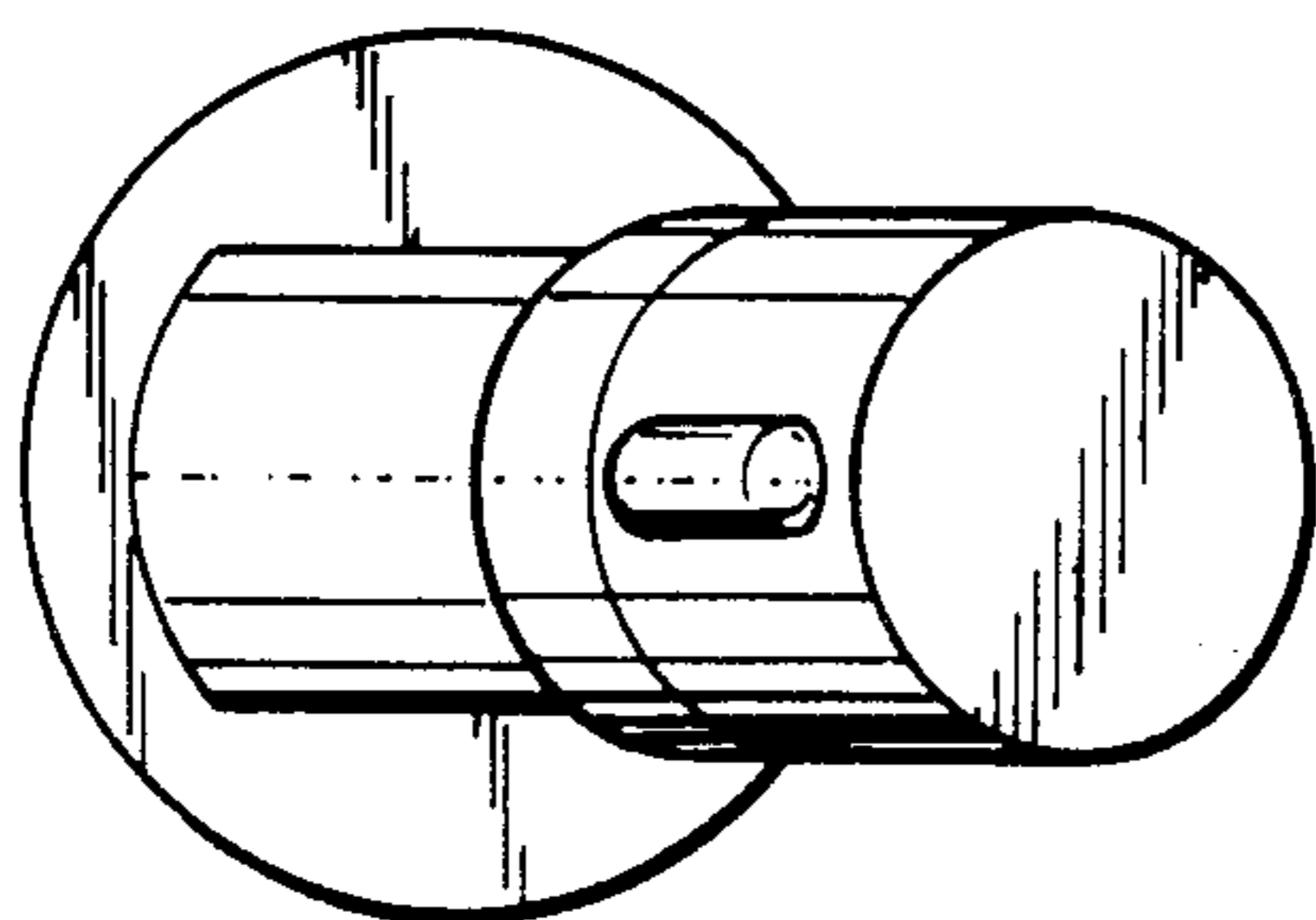


FIG._4.

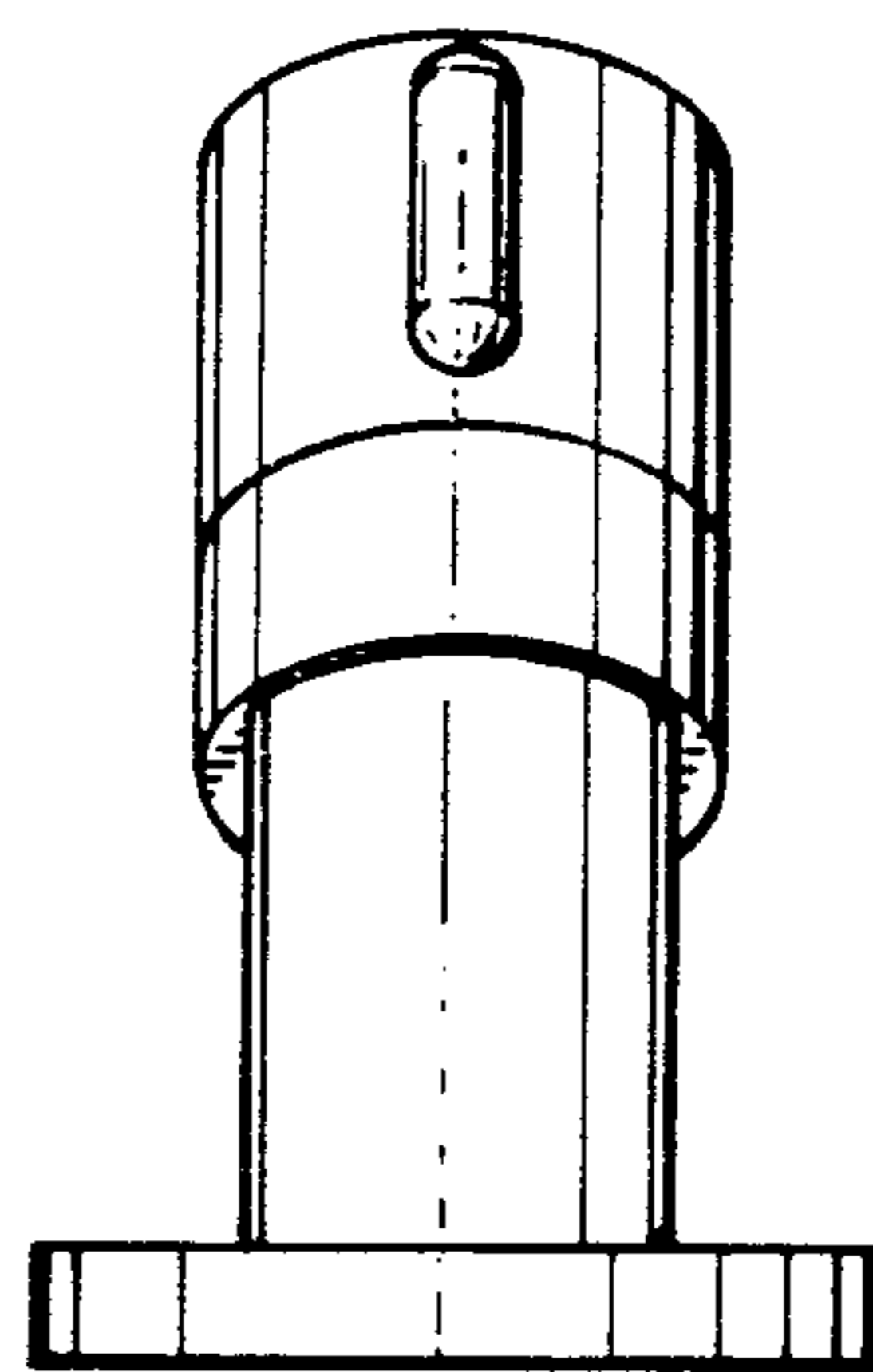


FIG._5.

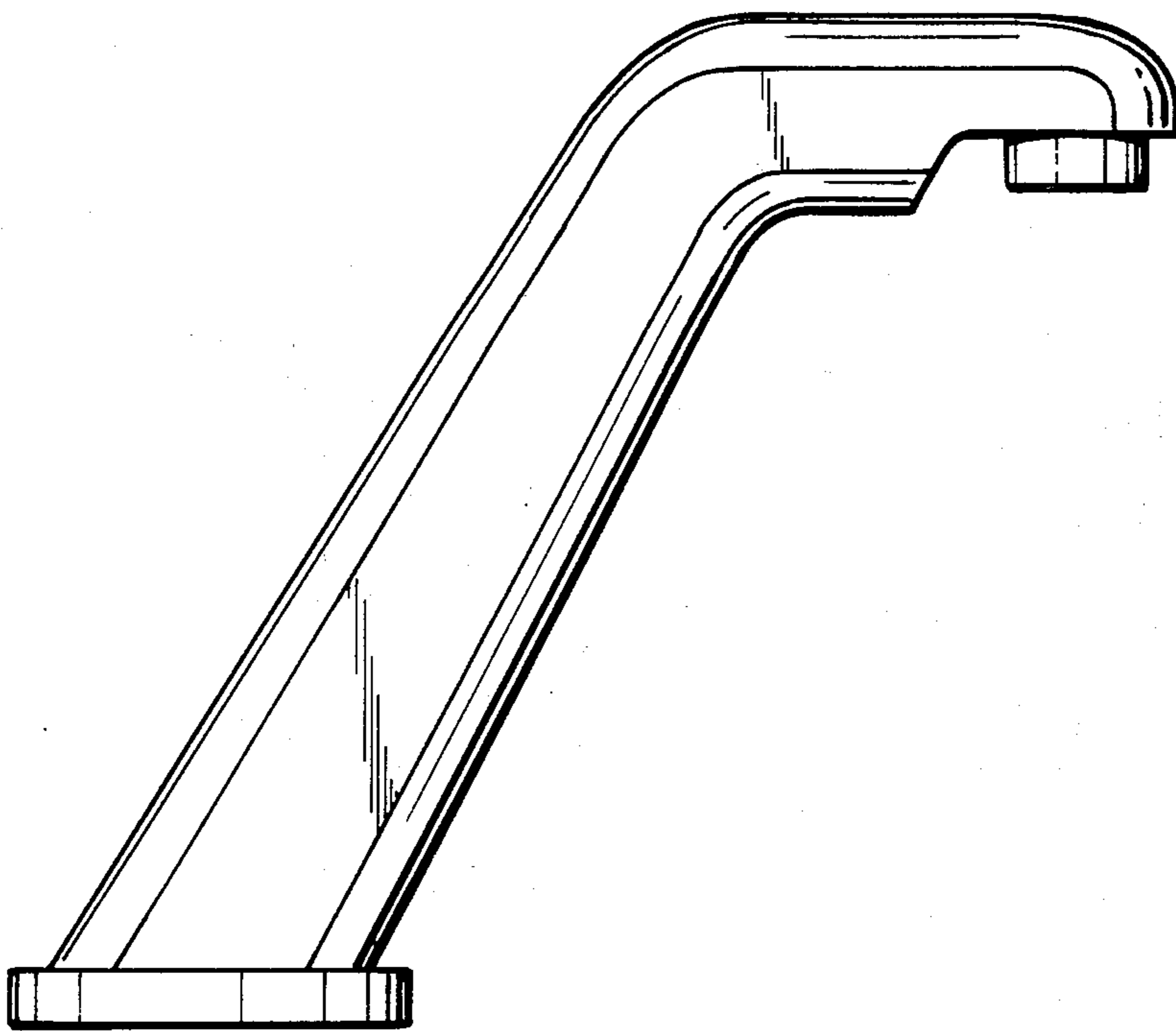


FIG. 6.

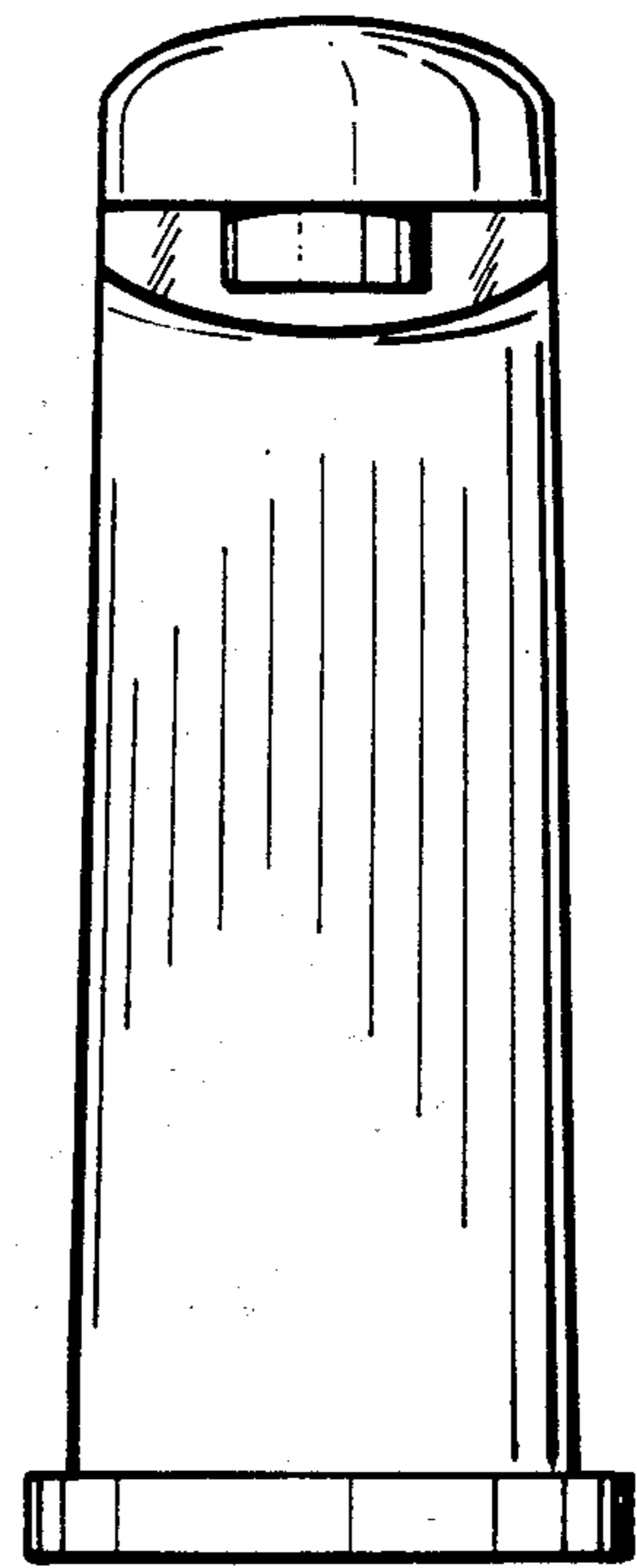


FIG. 7.

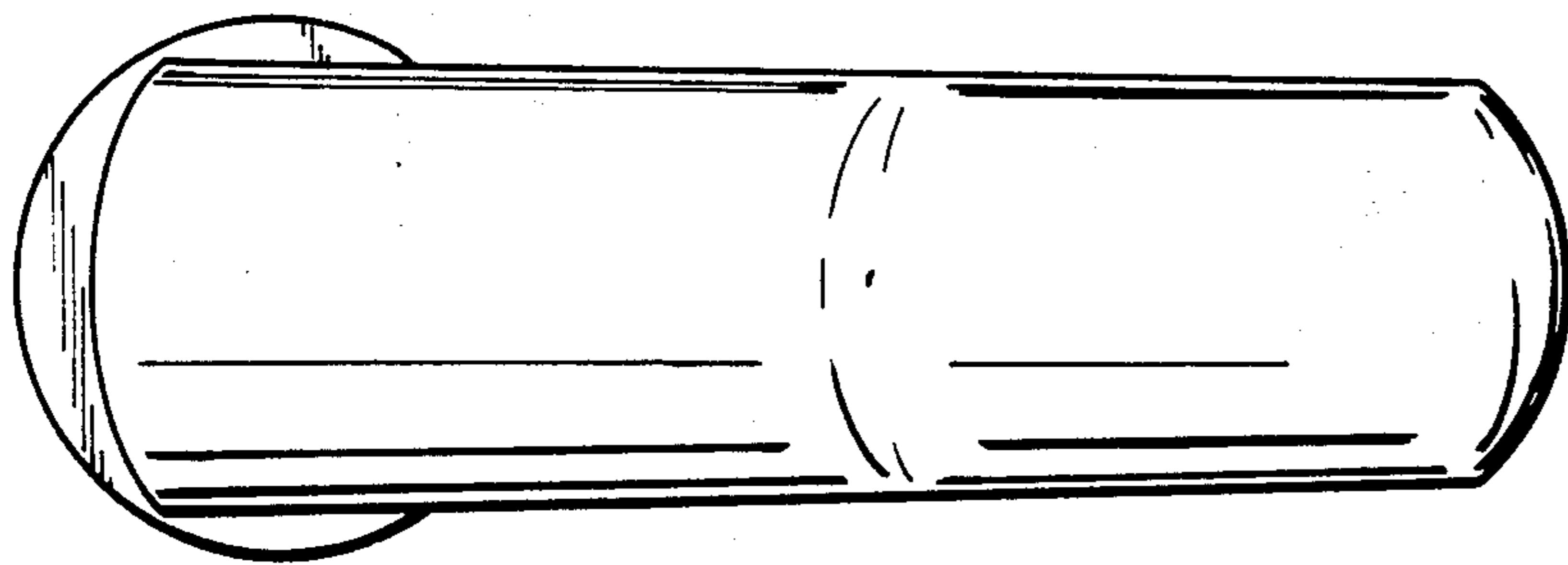


FIG. 8.

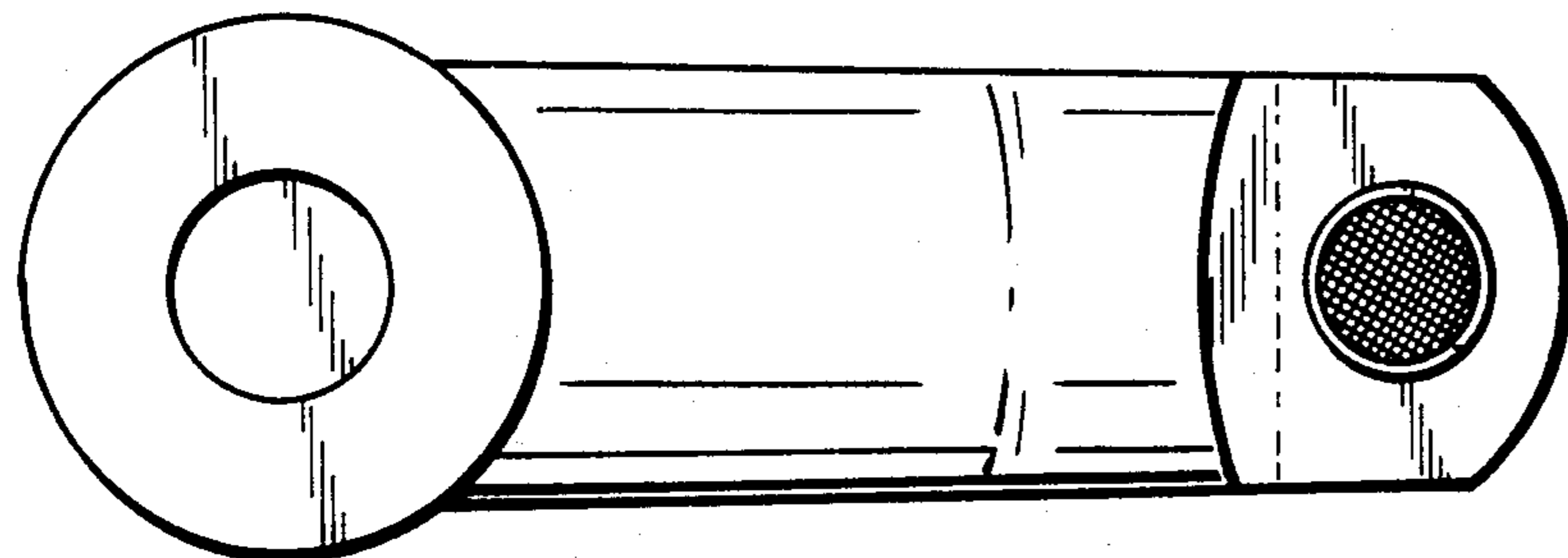


FIG. 10.

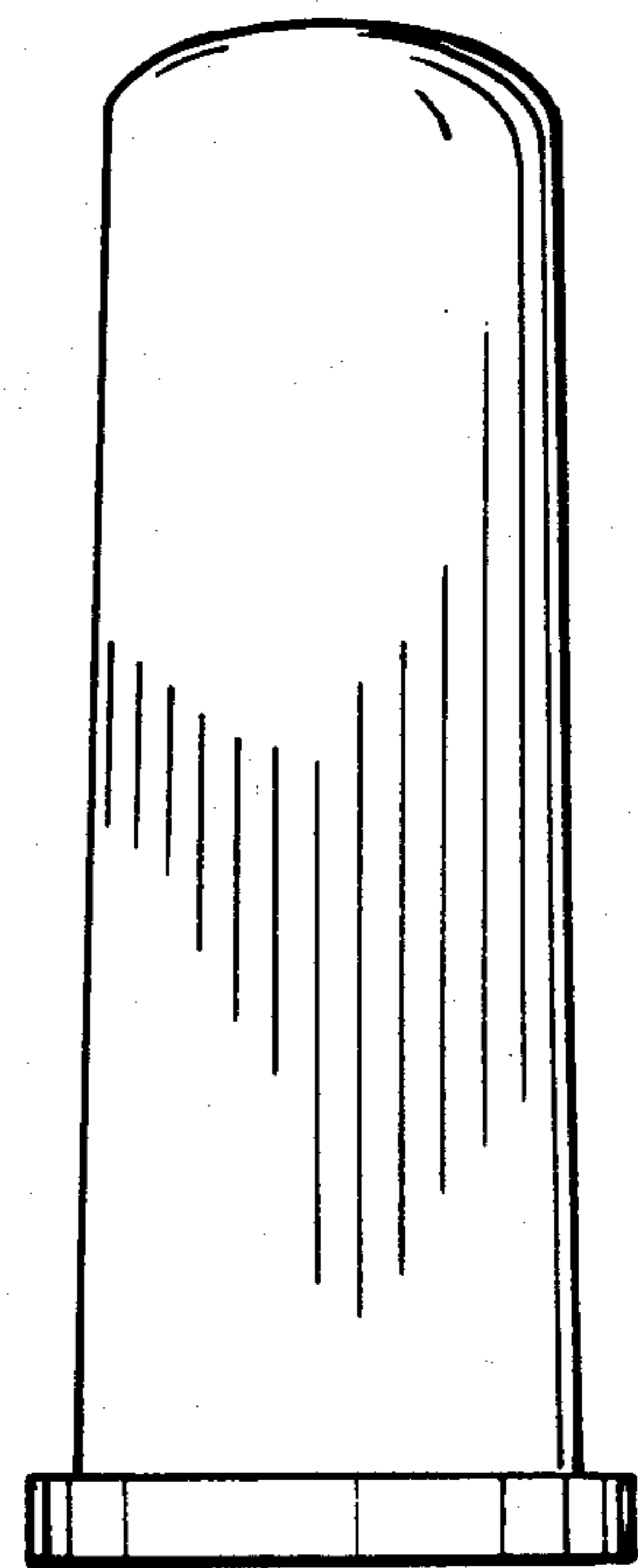


FIG. 9.