

[54] VALVE

[75] Inventor: Peter Kunz, Schaffhausen, Switzerland

[73] Assignee: Georg Fischer Aktiengesellschaft, Schaffhausen, Switzerland

[**] Term: 14 Years

[21] Appl. No.: 659,336

[22] Filed: Oct. 10, 1984

[30] Foreign Application Priority Data

Apr. 11, 1984 [XH] Hague DM/003634

[52] U.S. Cl. D23/19

[58] Field of Search D23/19-23, D23/36-39; 251/310, 315

[56] References Cited

U.S. PATENT DOCUMENTS

- D. 186,489 10/1959 Fryd D23/19
- D. 199,172 9/1964 Drury D23/19

- D. 242,350 11/1976 Kann D23/19
- 3,771,765 11/1973 Scapes 251/310
- 4,023,773 5/1977 Wise 251/148
- 4,103,865 8/1978 Nanba et al. 251/148
- 4,124,036 11/1978 Rogers 251/148 X
- 4,232,709 11/1980 Zorie 137/625.47
- 4,441,524 4/1984 Mese 251/315 X

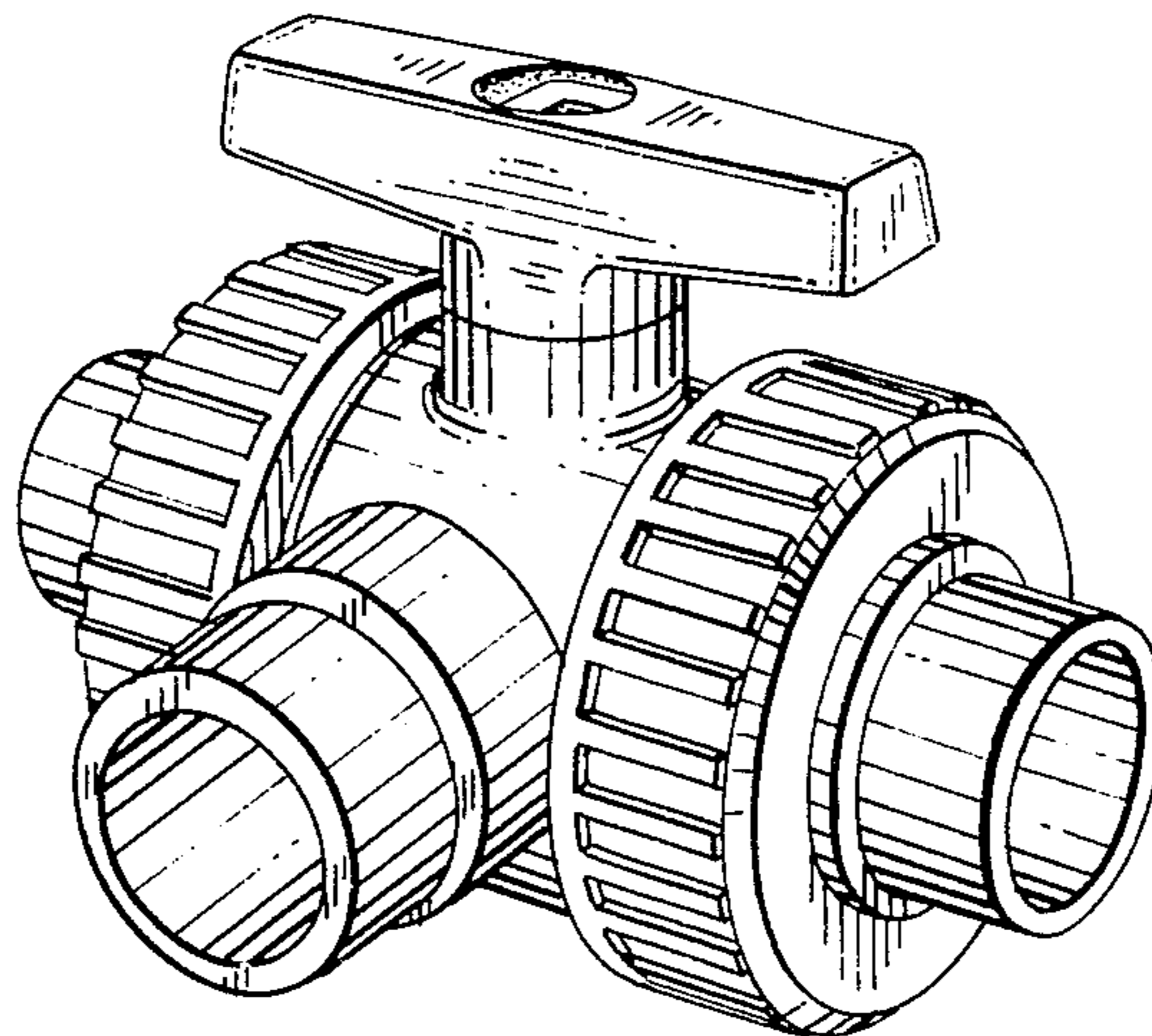
Primary Examiner—James R. Largen
Attorney, Agent, or Firm—Toren, McGeady & Associates

[57] CLAIM

The ornamental design for a valve, as shown.

DESCRIPTION

FIG. 1 is a perspective view taken from the top, front and right side of a valve showing my new design; FIG. 2 is a top plan view thereof; FIG. 3 is a front elevational view thereof; FIG. 4 is a left side elevational view thereof; FIG. 5 is a rear elevational view thereof; and FIG. 6 is a bottom plan view thereof.



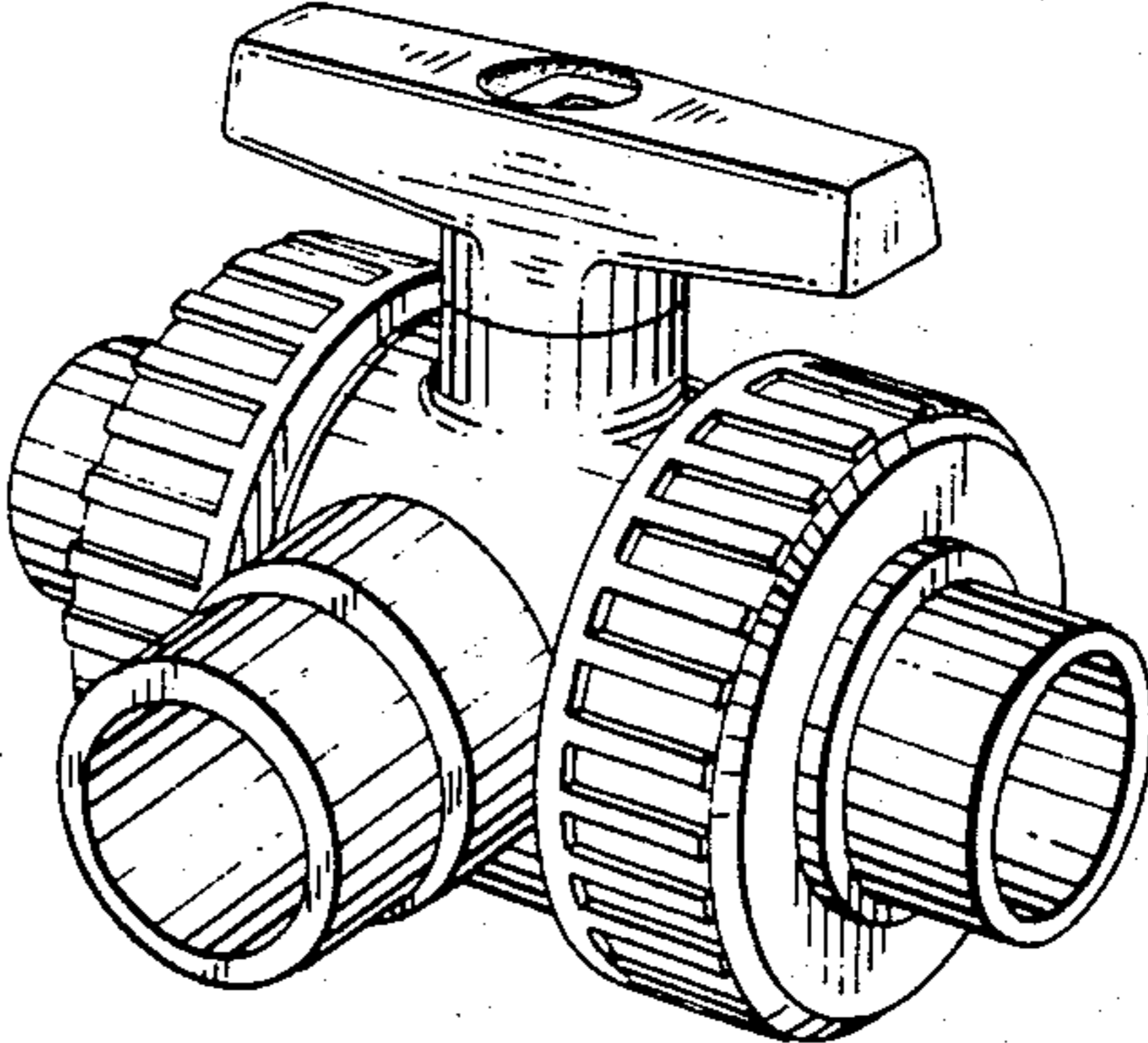


FIG. 1

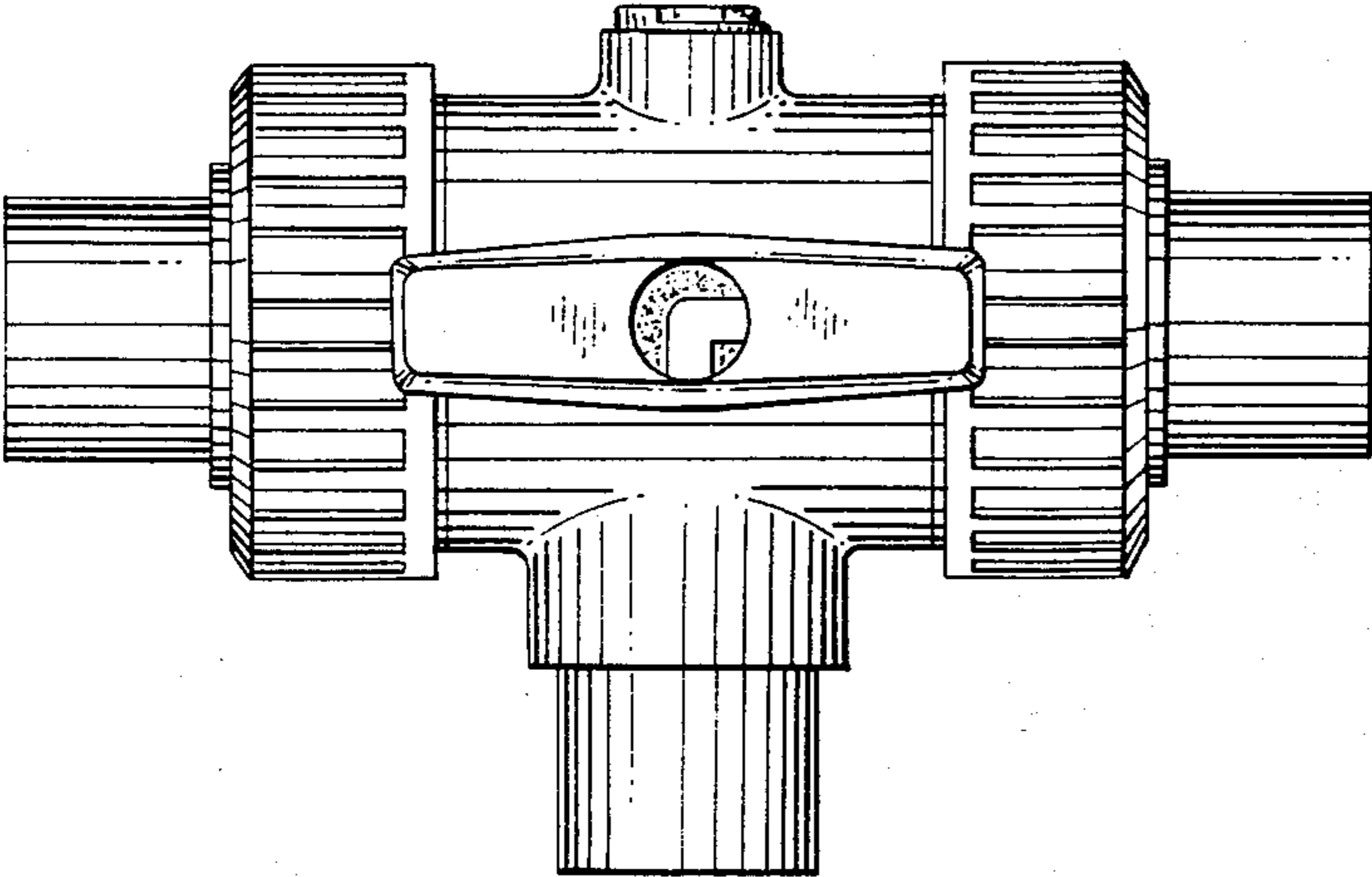


FIG. 2

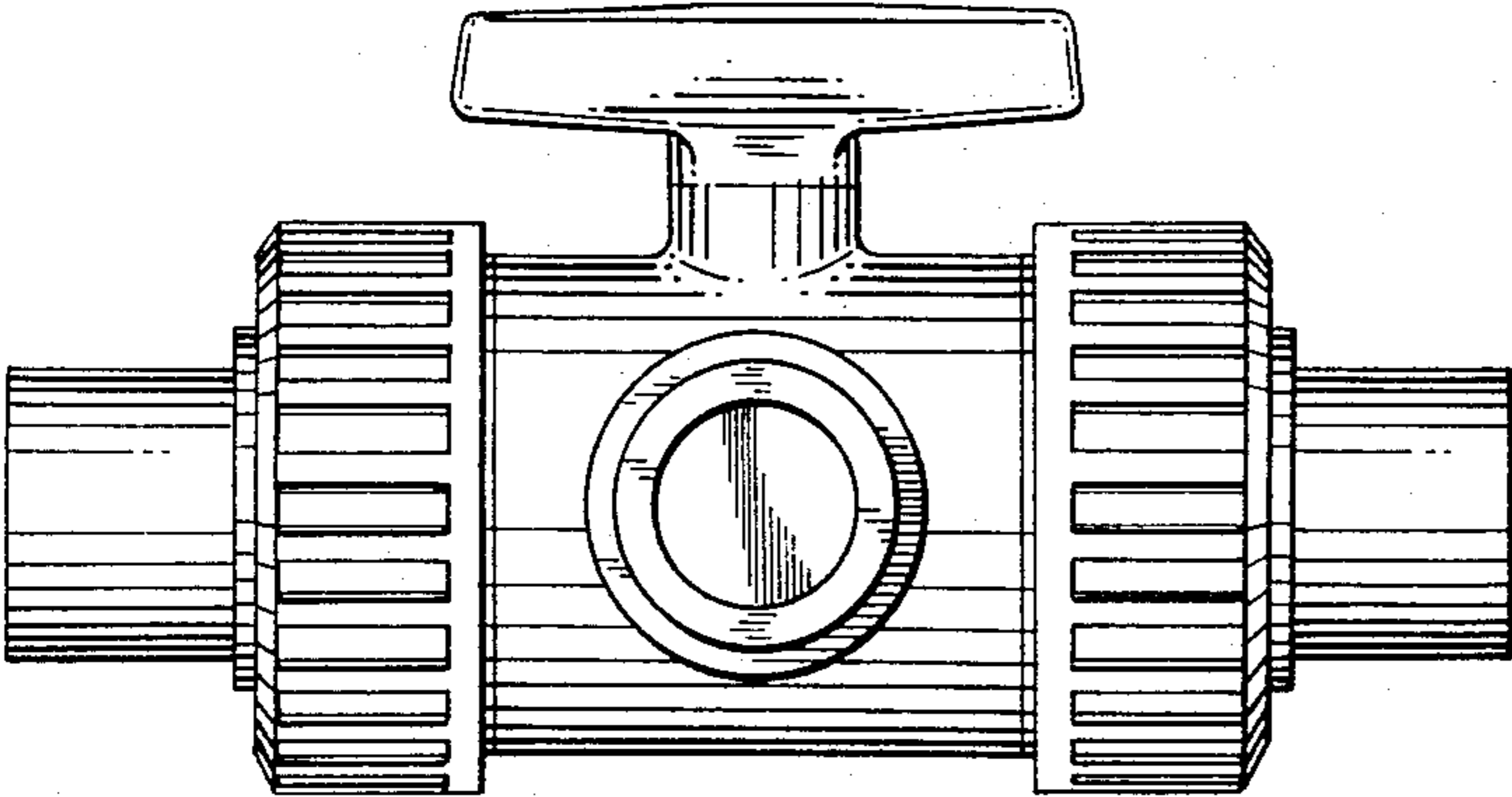


FIG. 3

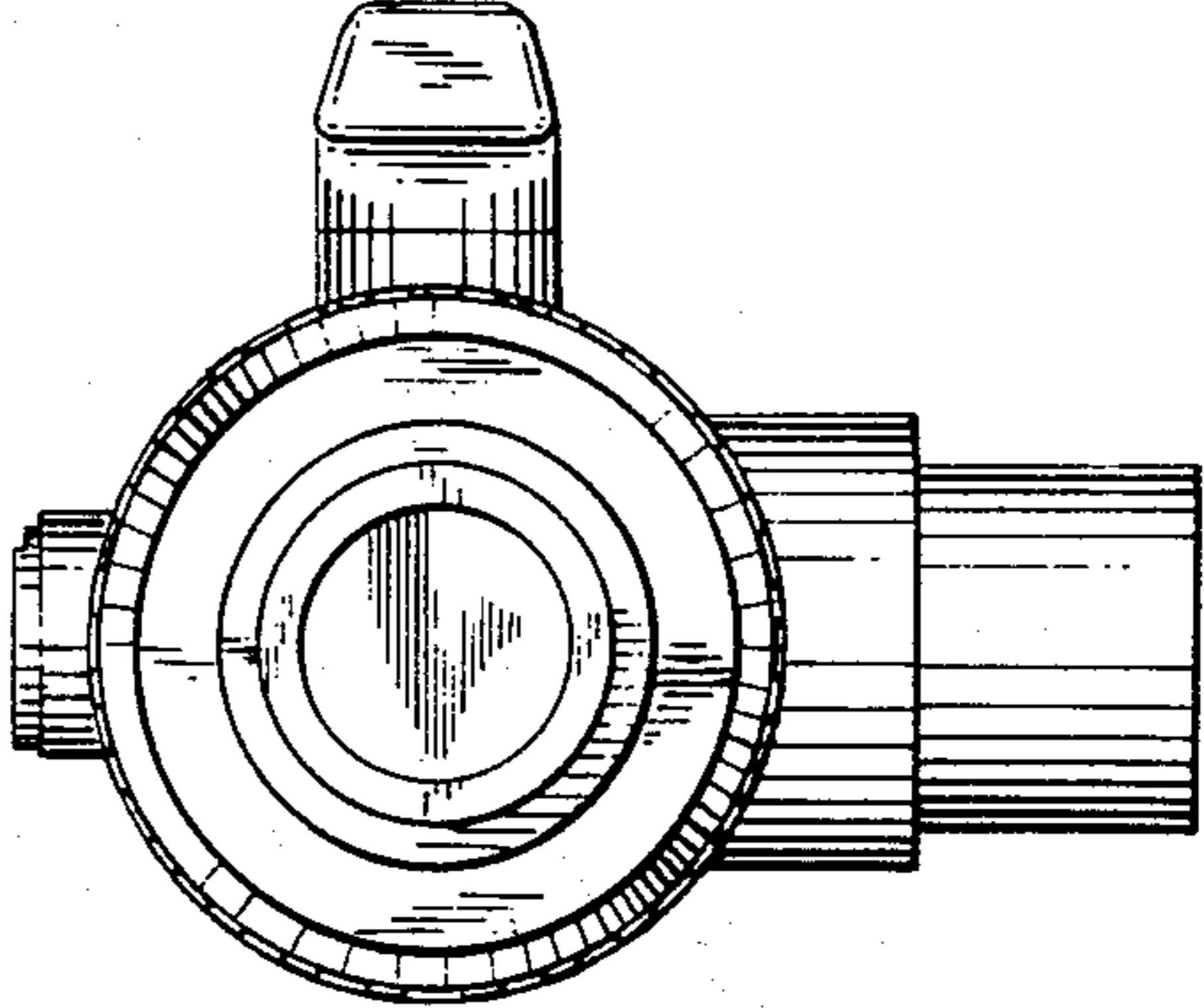


FIG. 4

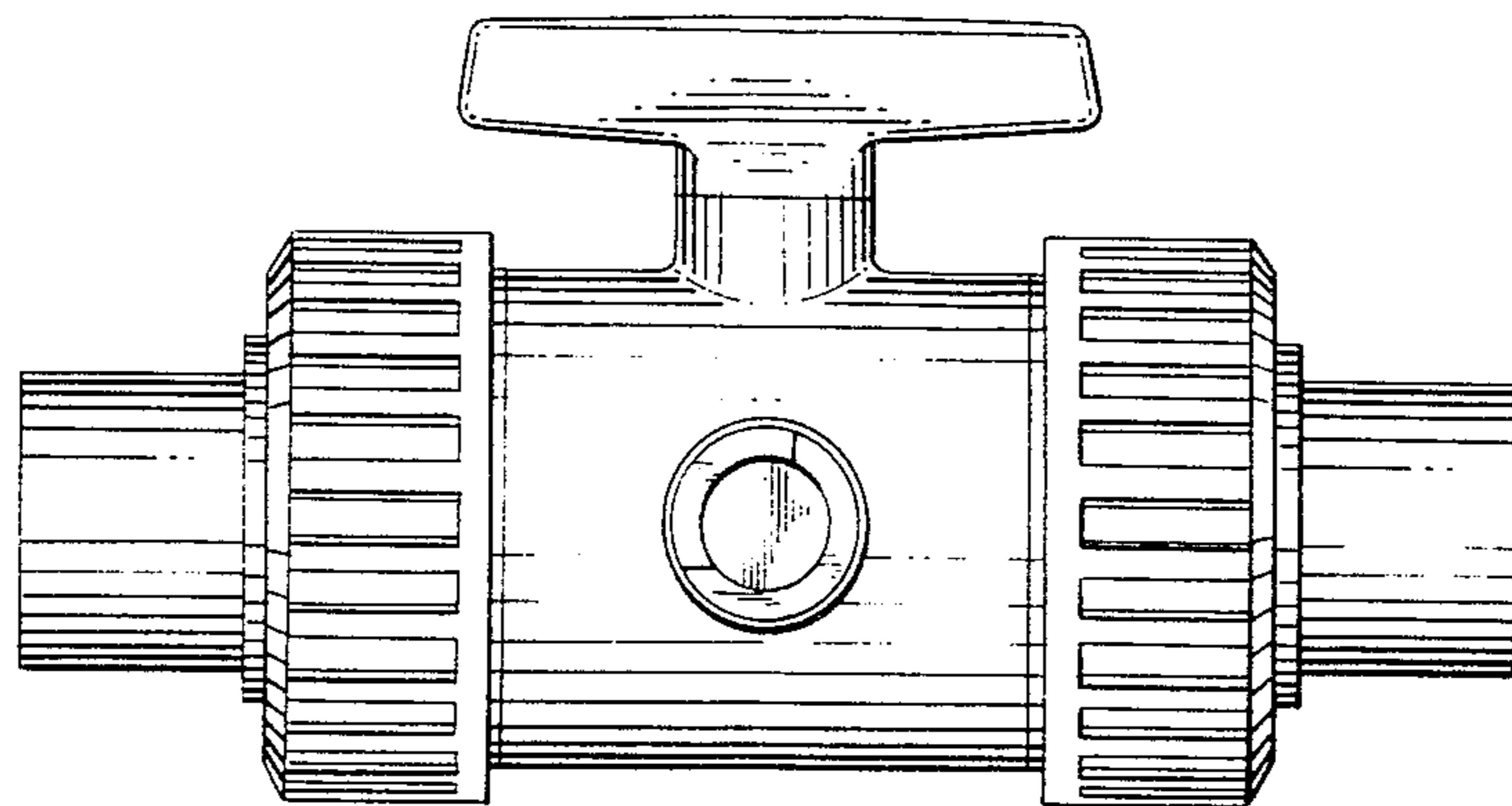


FIG. 5

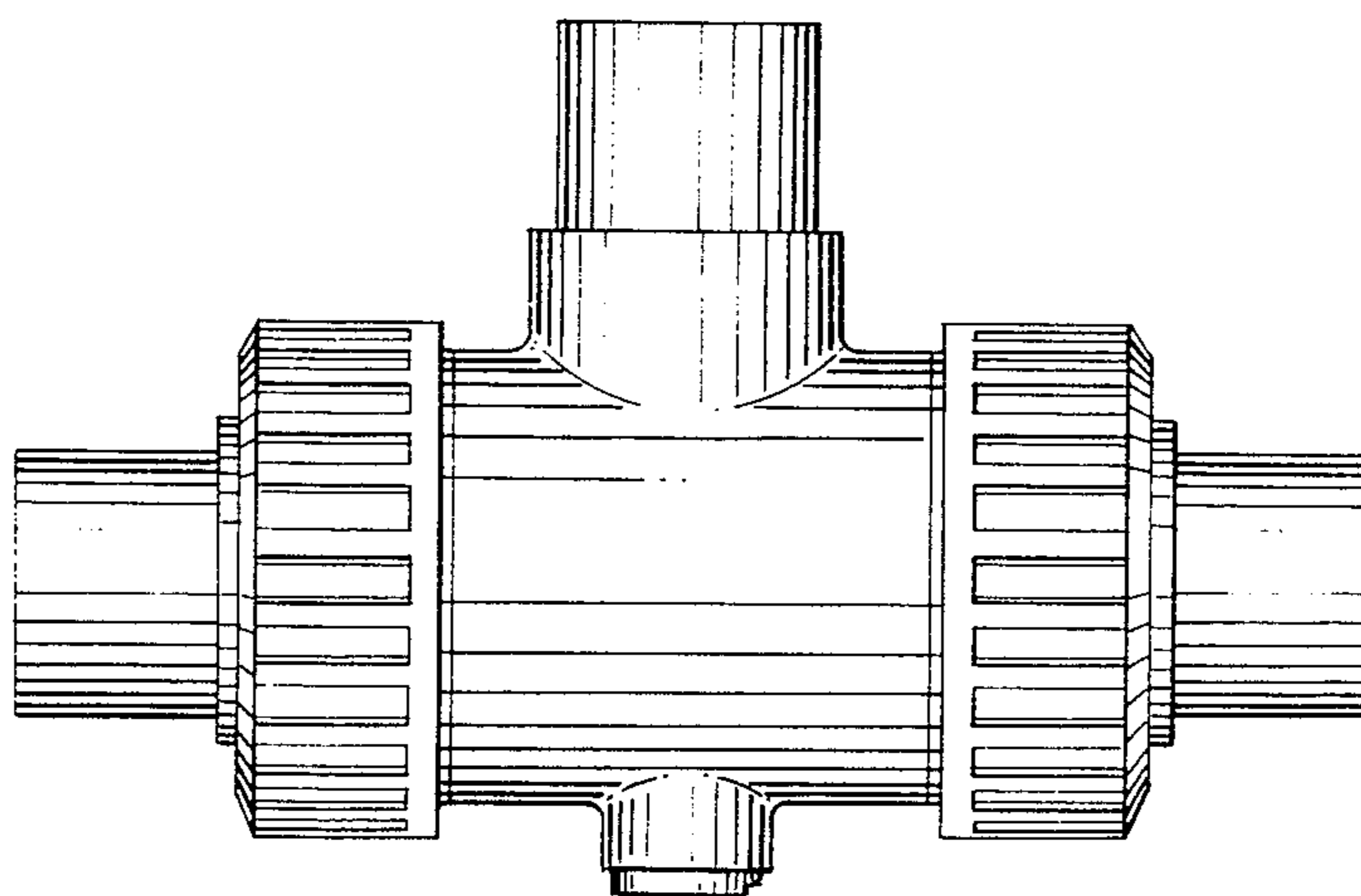


FIG. 6