

[54] **ELECTRIC BUG KILLER LAMP**

[75] **Inventor: John S. Yuen, Kowloon, Hong Kong**

[73] **Assignee: John Manufacturing Limited, Kowloon, Hong Kong**

[**] **Term: 14 Years**

[21] **Appl. No.: 688,593**

[22] **Filed: Jan. 3, 1985**

[30] **Foreign Application Priority Data**

Jul. 17, 1984 [GB] United Kingdom 1020968

[52] **U.S. Cl. D22/123**

[58] **Field of Search D22/120, 122, 123; 43/112, 113**

[56] **References Cited**

U.S. PATENT DOCUMENTS

D. 210,015 1/1968 Kahn D22/123
4,182,069 1/1980 Yoreo D22/120 X

OTHER PUBLICATIONS

Hong Kong Enterprise, vol. 7, 1982, p. 21, Flying Insect Trap illustrations.

Primary Examiner—A. Hugo Word
Attorney, Agent, or Firm—Fay, Sharpe, Beall, Fagan, Minnich & McKee

[57] **CLAIM**

The ornamental design for an electric bug killer lamp, substantially as shown and described.

DESCRIPTION

FIG. 1 is a front elevational view of an electric bug killer lamp showing my new design;
FIG. 2 is a top plan view thereof;
FIG. 3 is a bottom plan view thereof.

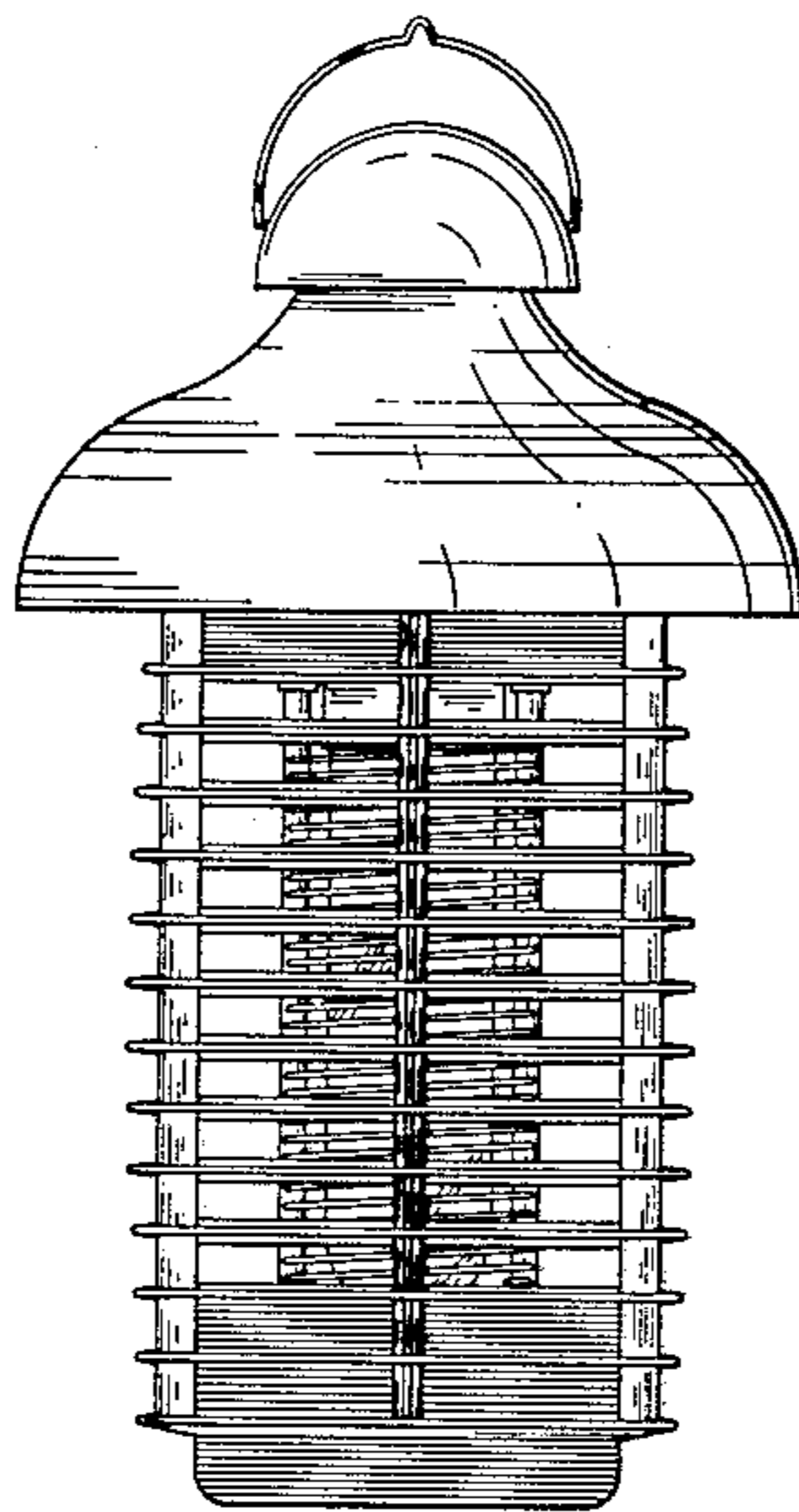


FIG. 1.

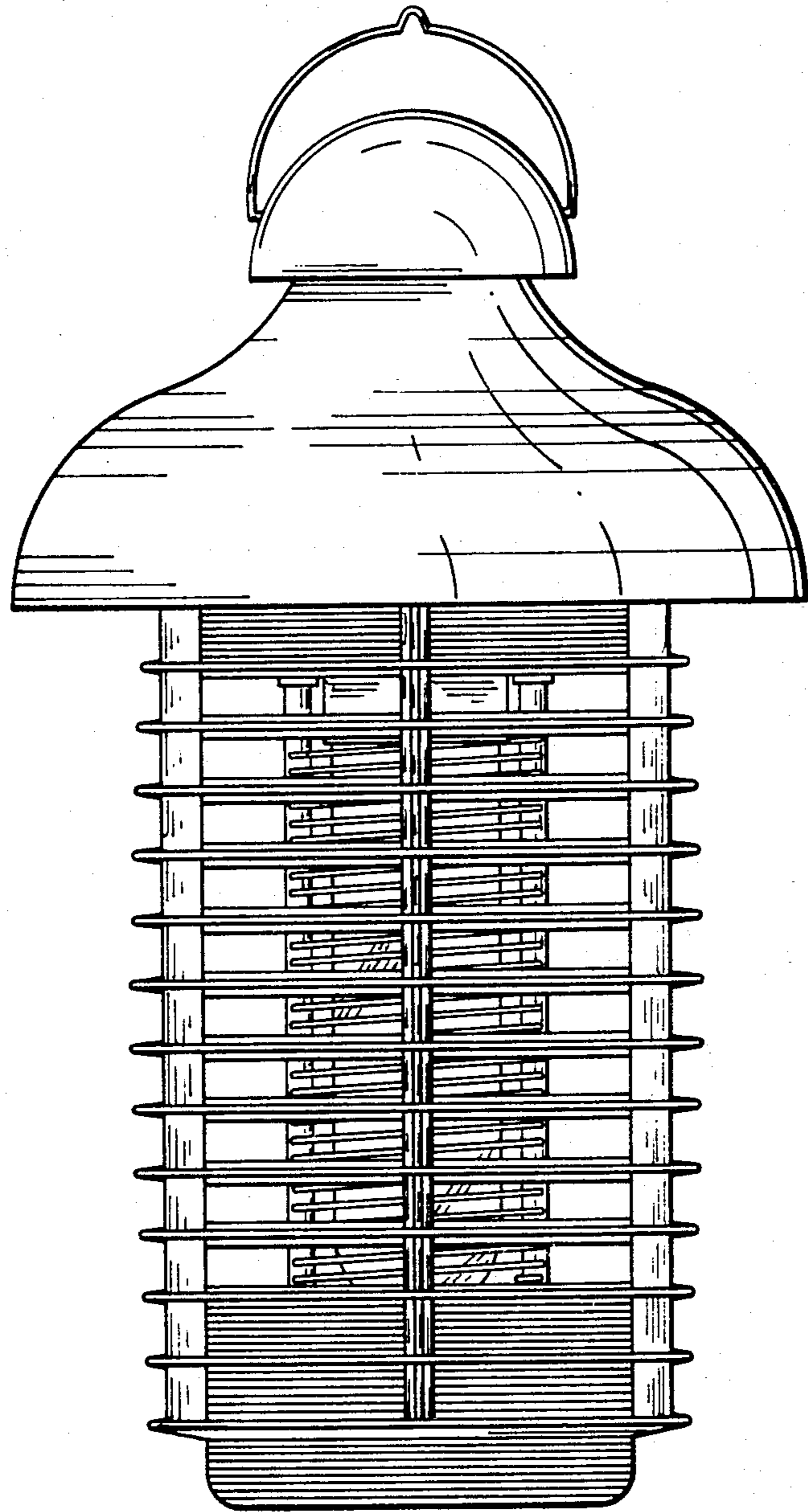


FIG. 2.

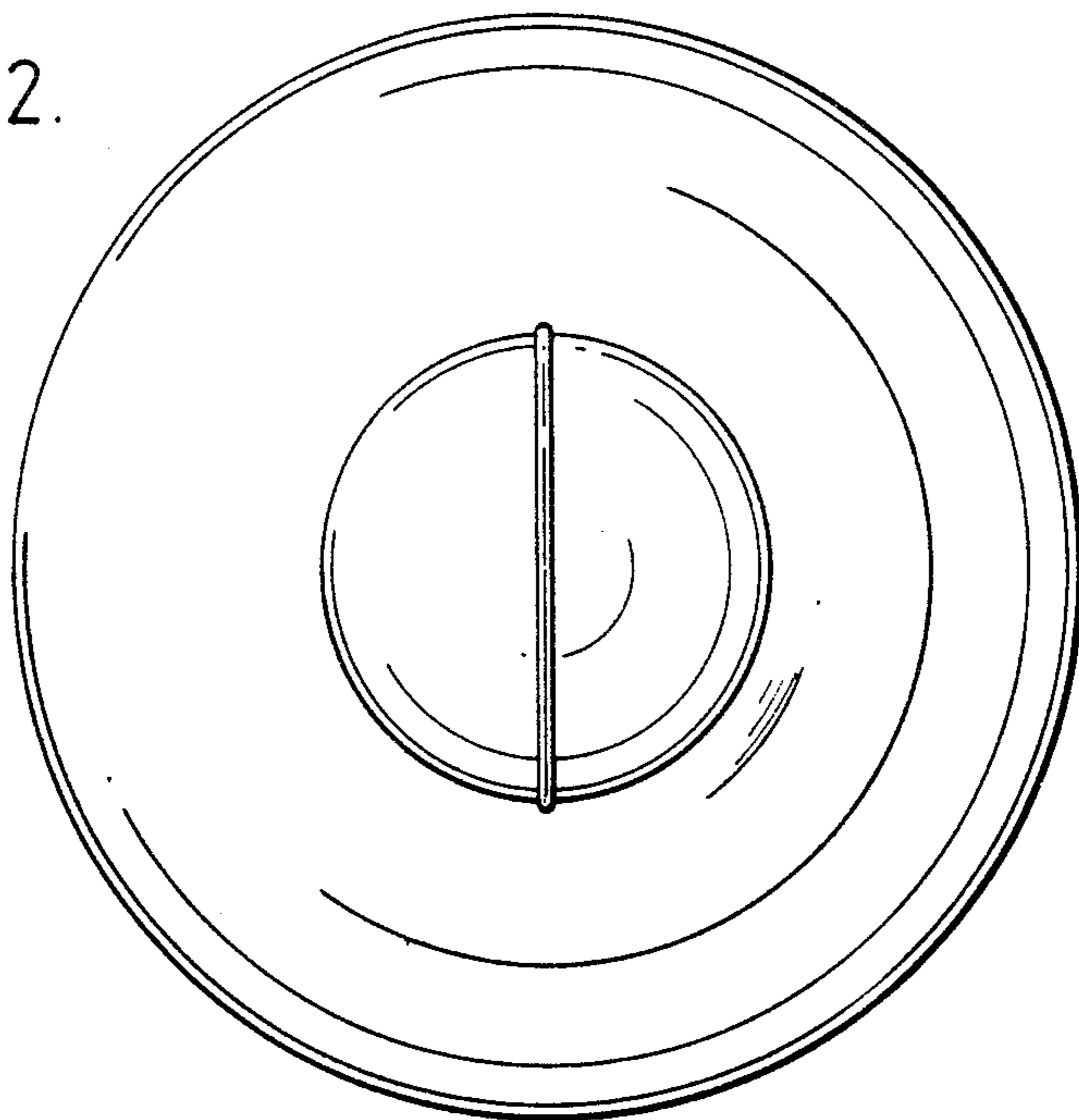


FIG. 3.

