

[54] TOY BUILDING UNIT

[75] Inventor: Erik P. Tapdrup, Virum, Denmark

[73] Assignee: Interlego A.G., Baar, Switzerland

[**] Term: 14 Years

[21] Appl. No.: 805,334

[22] Filed: Dec. 4, 1985

[52] U.S. Cl. D21/108

[58] Field of Search D21/108, 114, 118; 446/85, 99, 104, 106, 107, 109, 110, 117, 118, 121, 122, 124, 126, 127, 476, 478; D25/60, 52, 61

[56] References Cited

U.S. PATENT DOCUMENTS

1,271,160 7/1918 Groves D21/108
4,270,303 6/1981 Xanthopoulos 446/110

FOREIGN PATENT DOCUMENTS

543722 7/1957 Canada 446/124
412738 2/1946 Italy 446/110
413194 3/1946 Italy 446/105

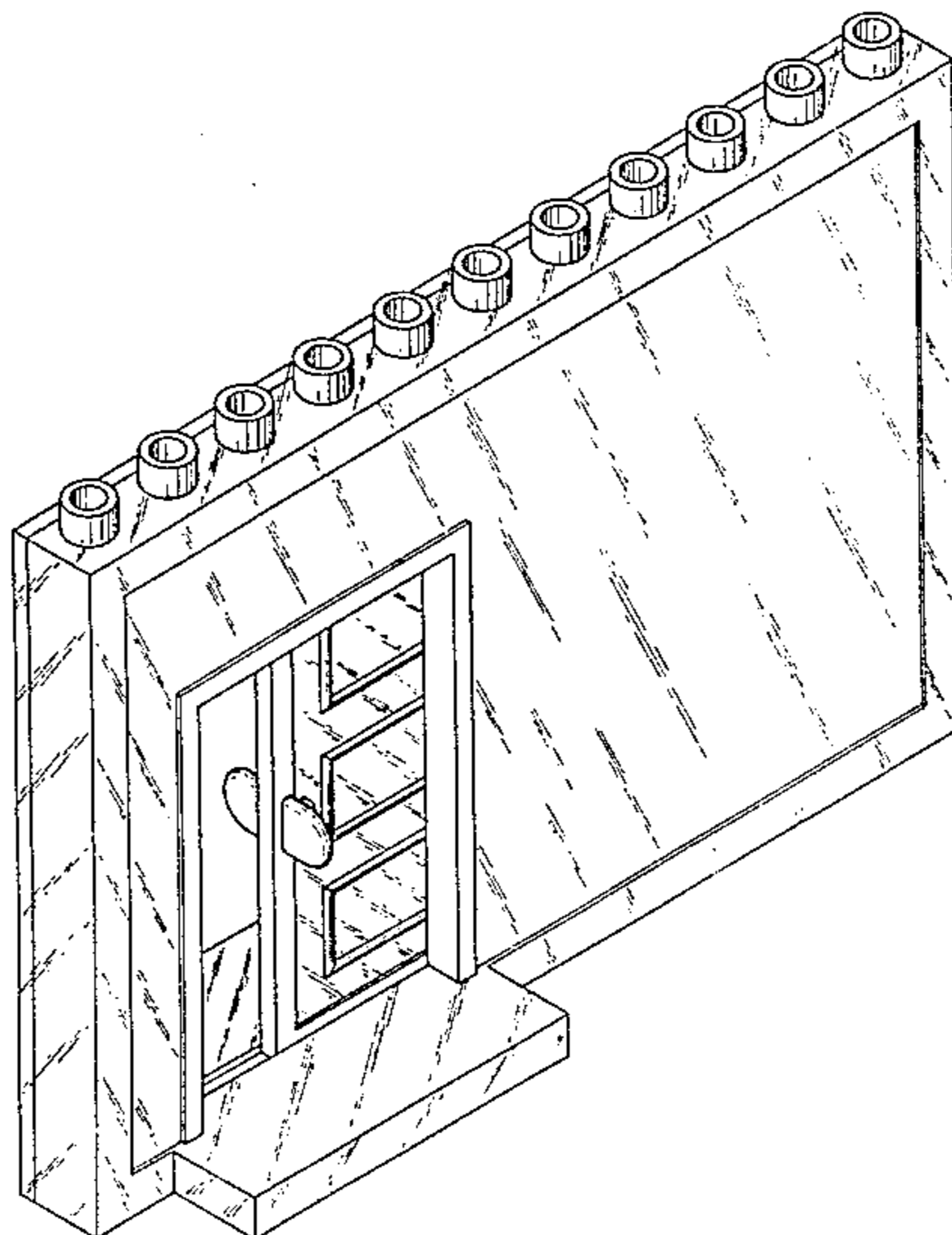
Primary Examiner—Charles A. Rademaker
Attorney, Agent, or Firm—Kane, Dalsimer, Kane,
Sullivan and Kurucz

[57] CLAIM

The ornamental design for a toy building unit, as shown and described.

DESCRIPTION

FIG. 1 is a top perspective view of a toy building unit showing my new design;
FIG. 2 is a top plan view thereof;
FIG. 3 is a front elevational view thereof;
FIG. 4 is a left side elevational view thereof;
FIG. 5 is a right side elevational view thereof;
FIG. 6 is a rear elevational view thereof; and
FIG. 7 is a bottom plan view thereof.



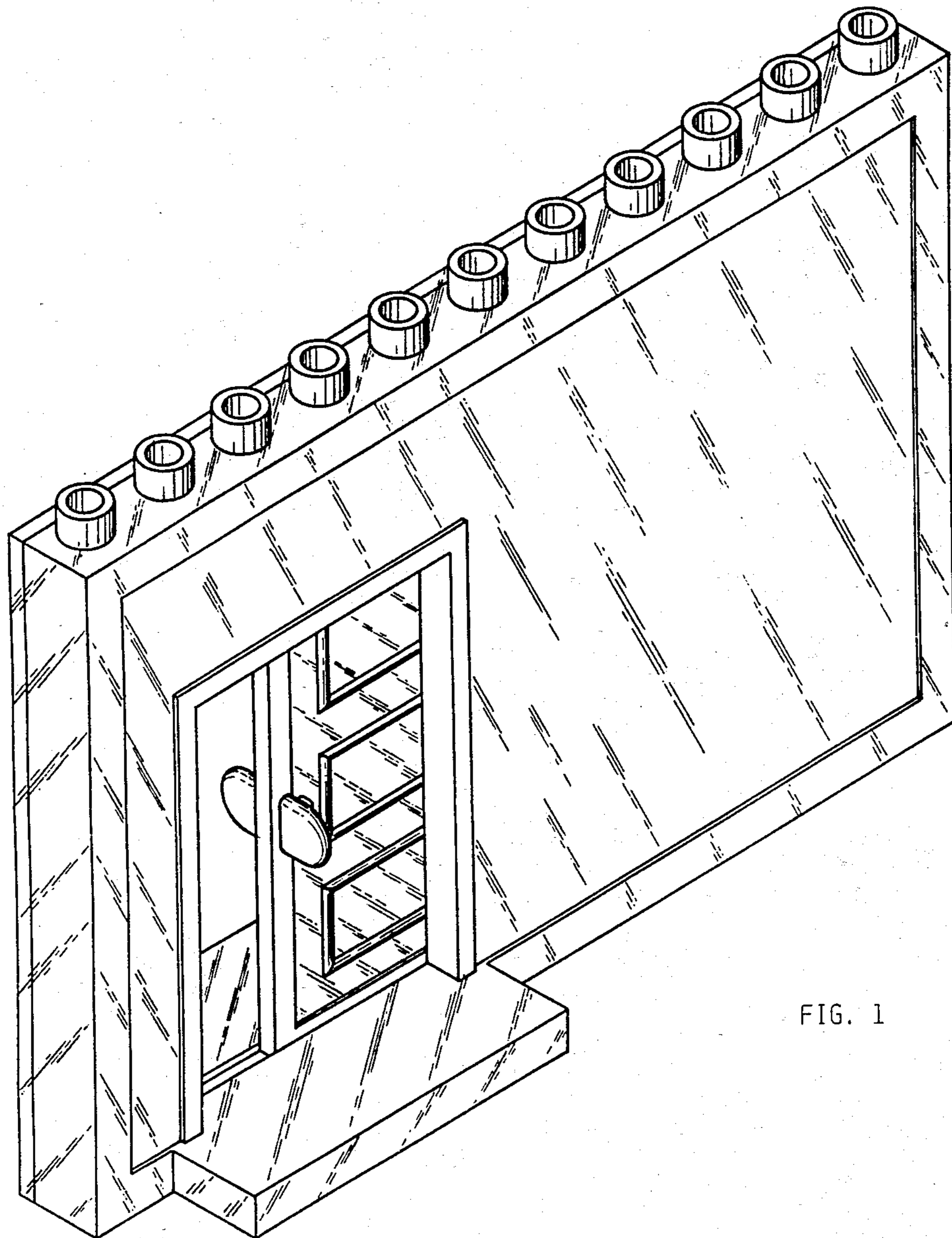


FIG. 1

FIG. 2

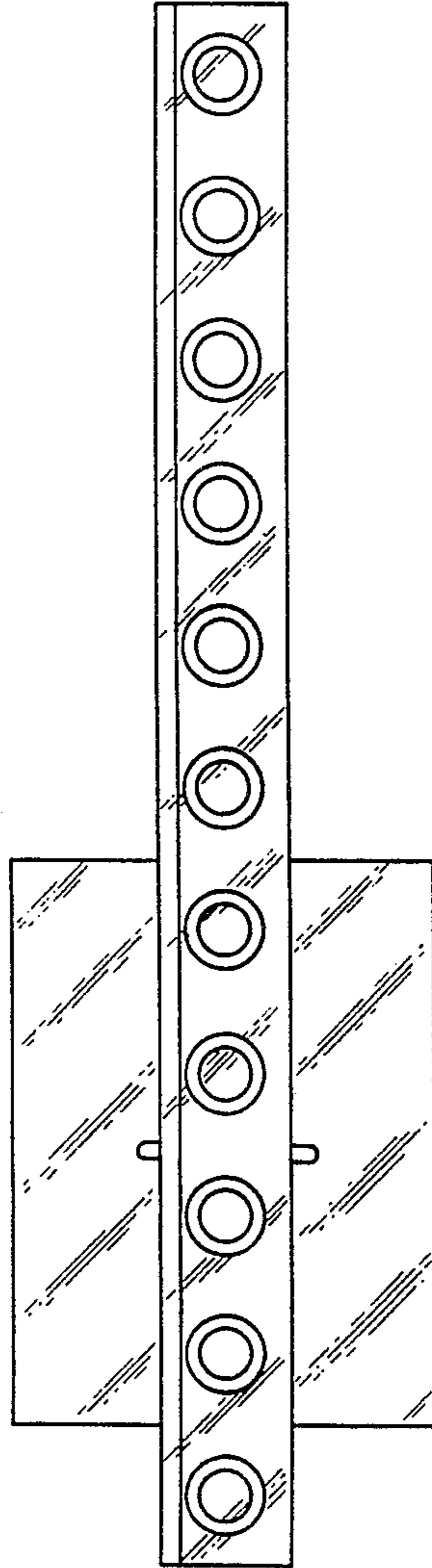
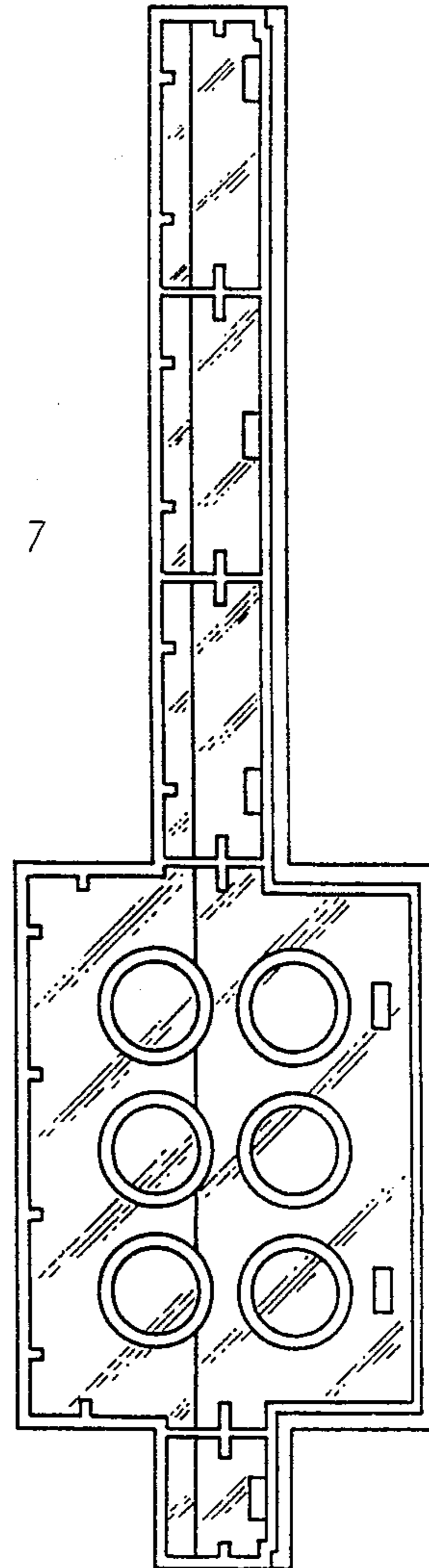


FIG. 7



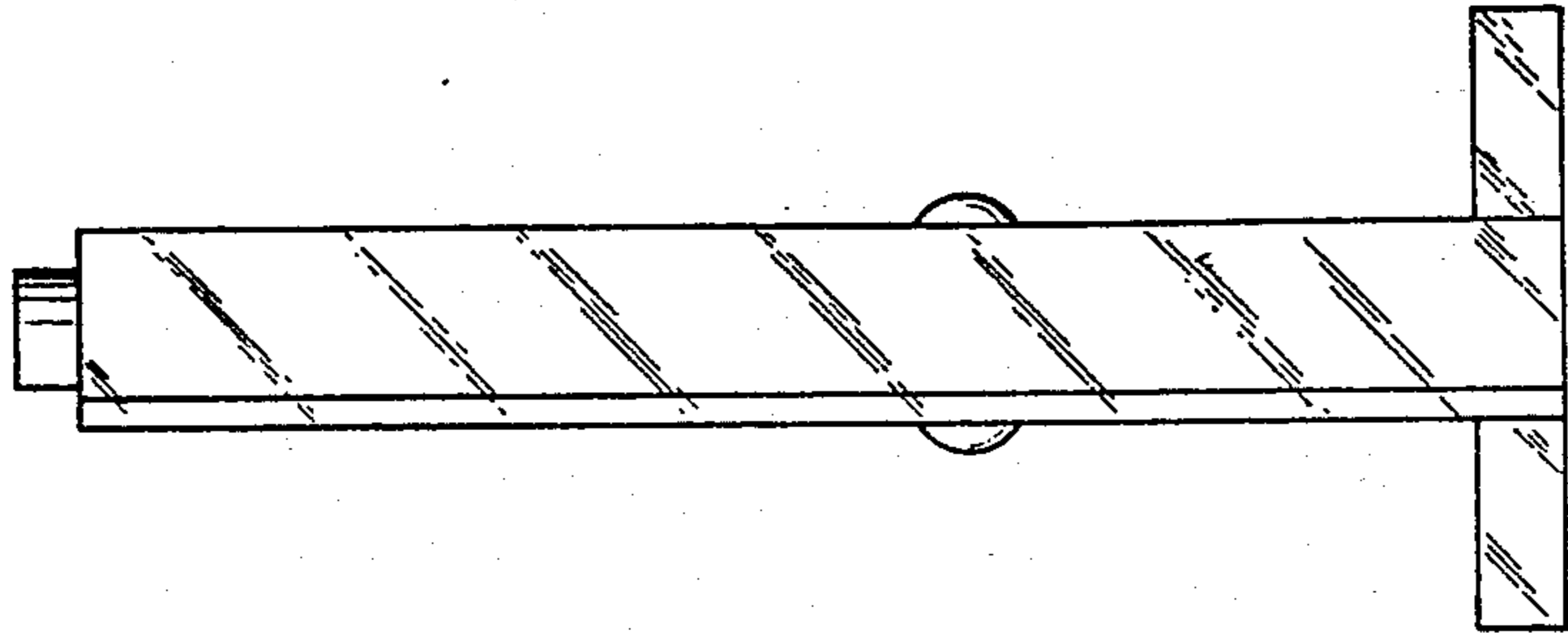


FIG. 4

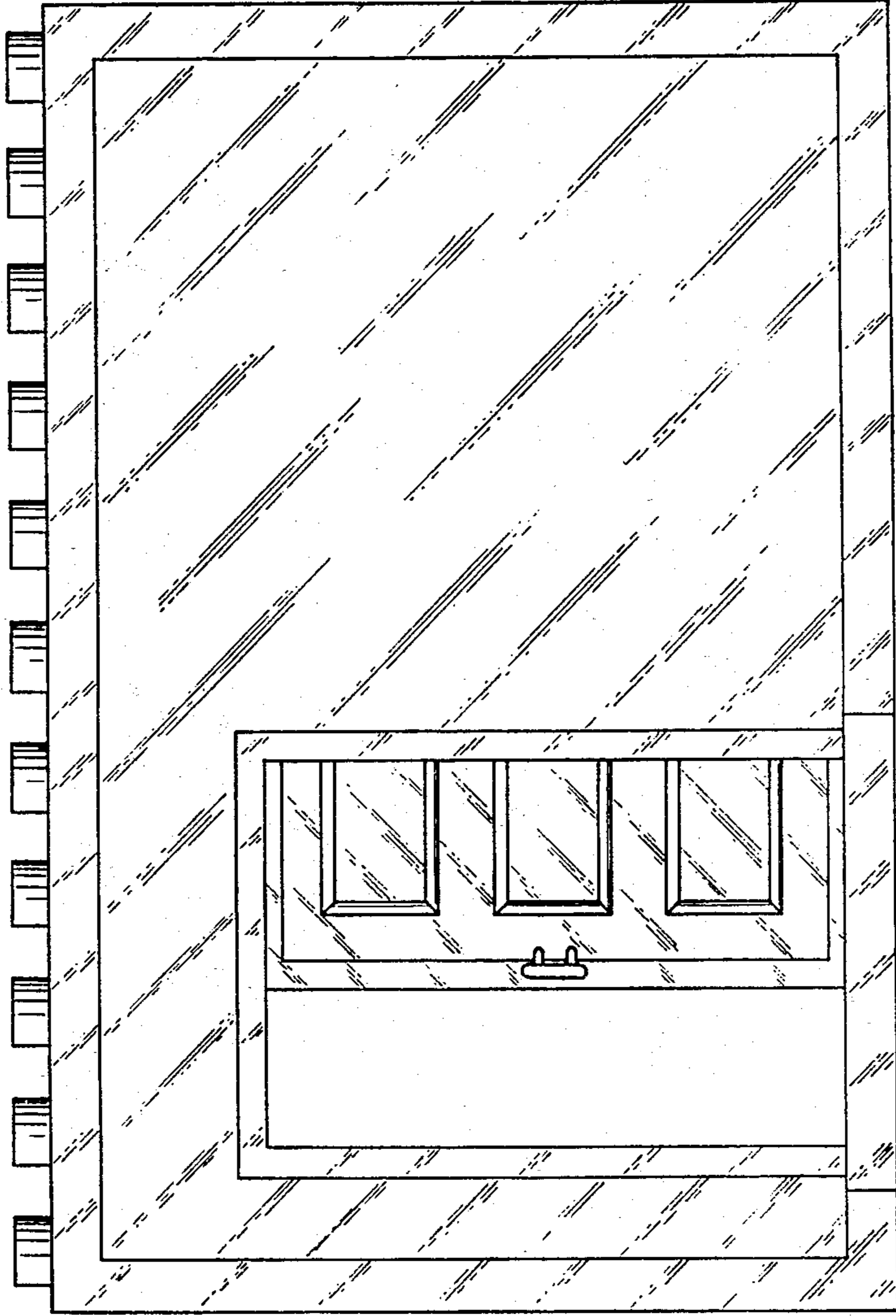


FIG. 3

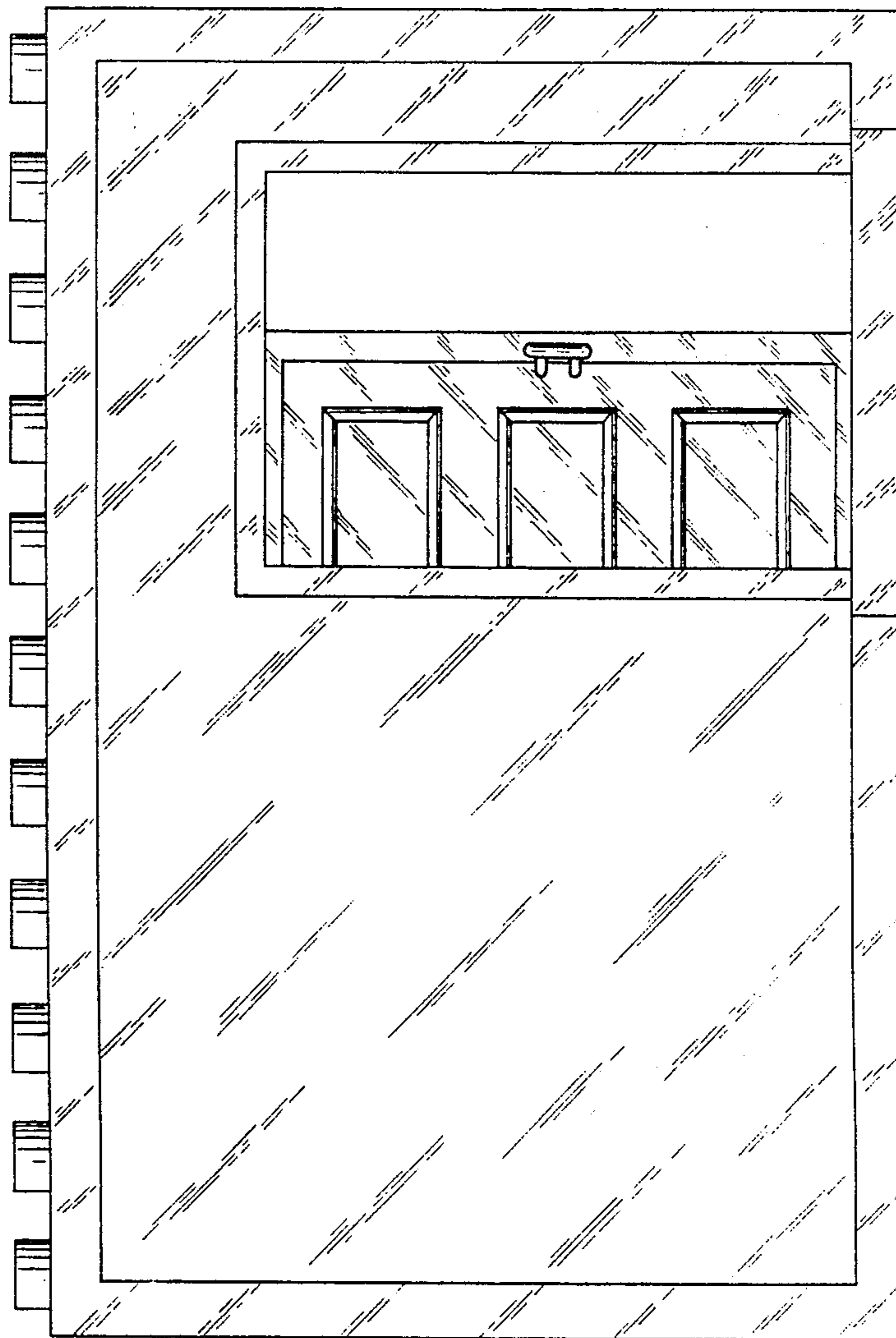


FIG. 6

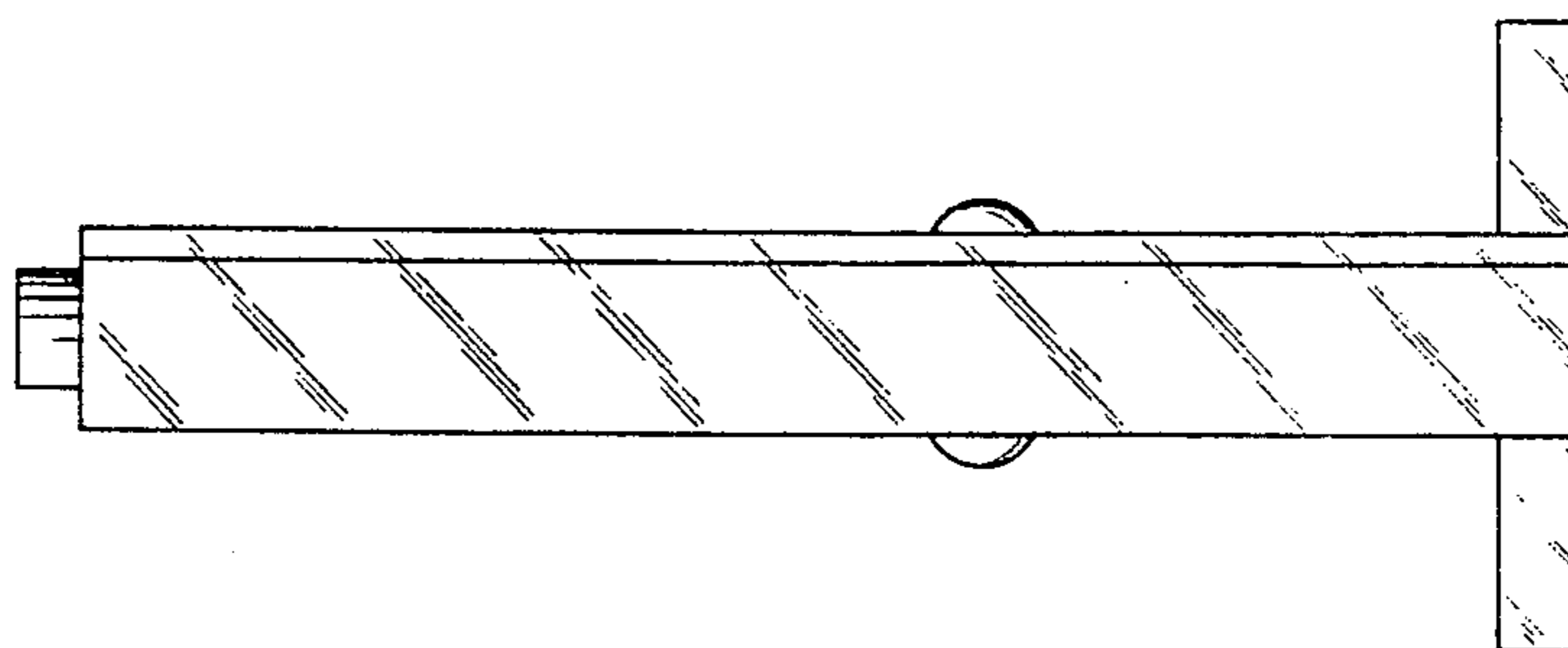


FIG. 5