

[54] PRINT WHEEL CARTRIDGE FOR TYPEWRITER

[75] Inventors: Kenji Tamada; Junya; Yamakawa, Kazuaki Takahashi, all of Tokyo, Japan

[73] Assignee: Silver Seiko Limited, Japan

[**] Term: 14 Years

[21] Appl. No.: 790,826

[22] Filed: Oct. 24, 1985

[30] Foreign Application Priority Data

Apr. 30, 1985 [JP] Japan 60-017775

[52] U.S. Cl. D18/12

[58] Field of Search D18/1, 2, 12, 22; 400/144.2, 144.3, 175, 196, 196.1, 207, 208, 208.1

[56] References Cited

U.S. PATENT DOCUMENTS

- D. 265,099 6/1982 Feinstein, Jr. et al. D18/22 X
- D. 280,641 9/1985 Harden et al. D18/12
- 4,386,862 6/1983 Kittel et al. 400/144.2

FOREIGN PATENT DOCUMENTS

78855 5/1984 Japan 400/144.2

OTHER PUBLICATIONS

IBM Technical Disclosure Bulletin, vol. 25, No. 11A, Apr. 1983, p. 5818-Fig. 1 at top.

Primary Examiner—Louis S. Zarfaz
Attorney, Agent, or Firm—McGlew and Tuttle

[57] CLAIM

The ornamental design for a print wheel cartridge for typewriter, substantially as shown and described.

DESCRIPTION

FIG. 1 is a front side elevation of a print wheel cartridge for typewriter showing our new design;
 FIG. 2 is a top plan view;
 FIG. 3 is a rear side elevation;
 FIG. 4 is a bottom plan view;
 FIG. 5 is a left side elevation, a right side being symmetrical to the left side;
 FIG. 6 is a perspective view taken from the front side; and
 FIG. 7 is a perspective view taken from the rear side.

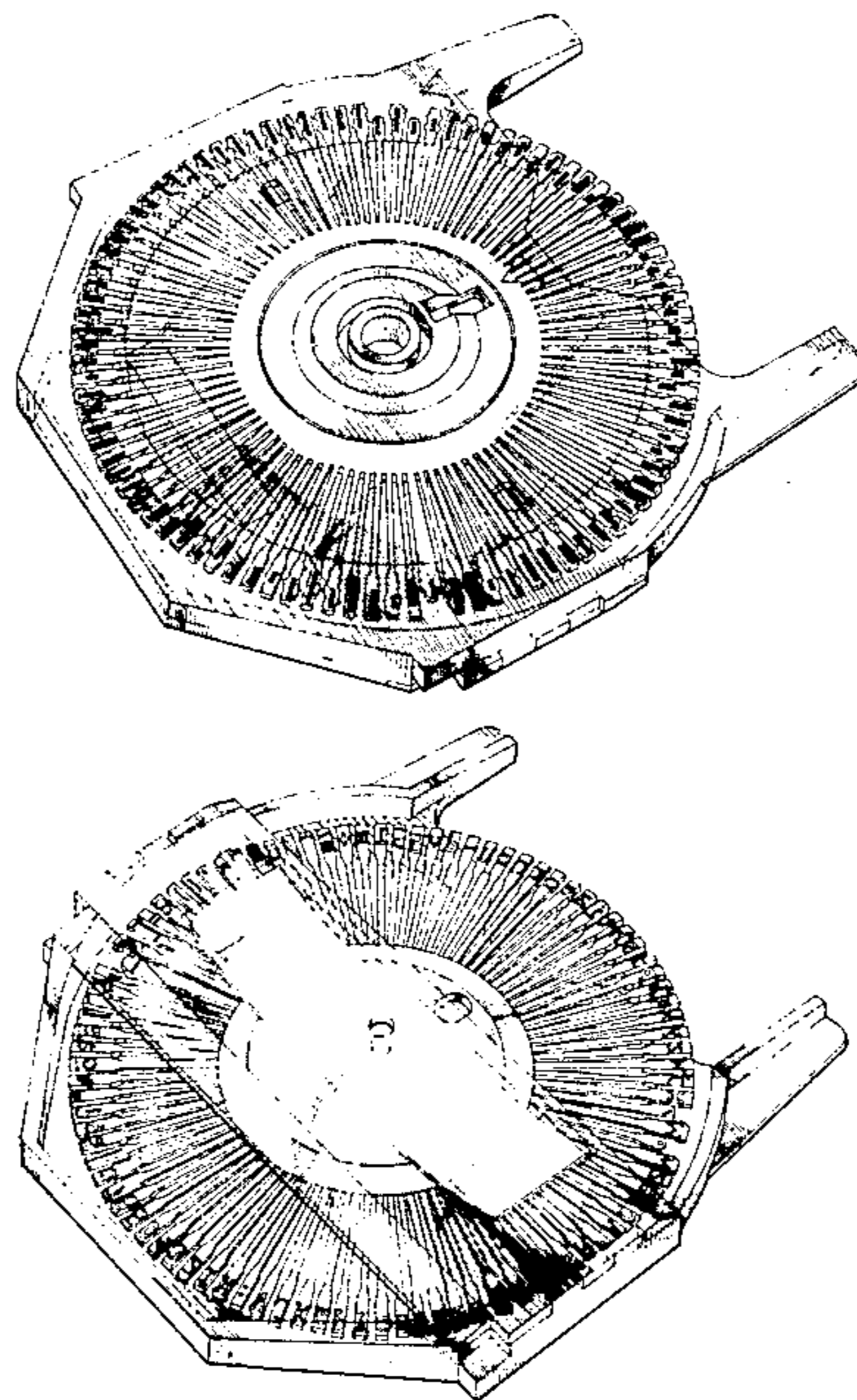


FIG. 1

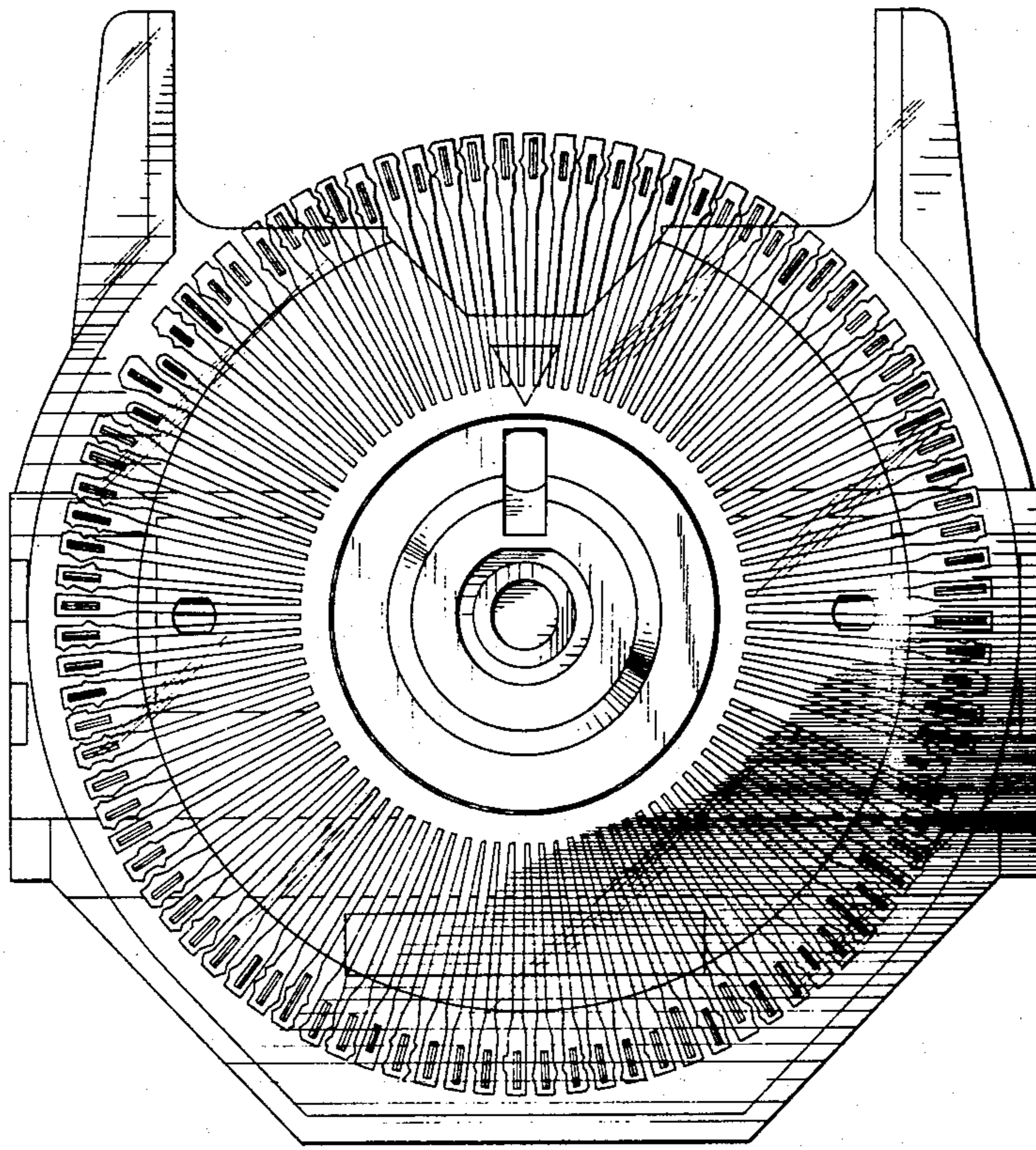


FIG. 2



FIG. 3

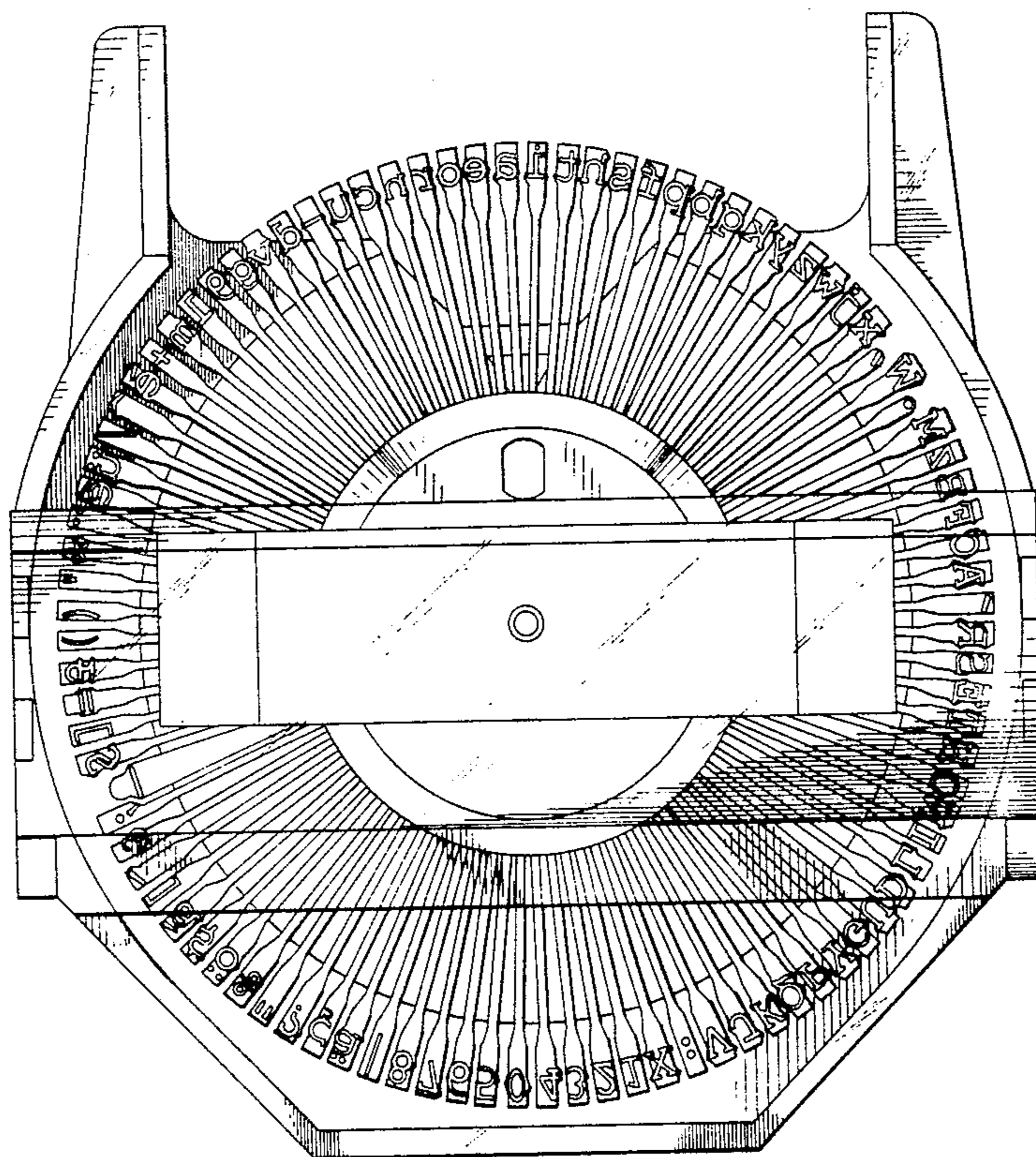


FIG. 5

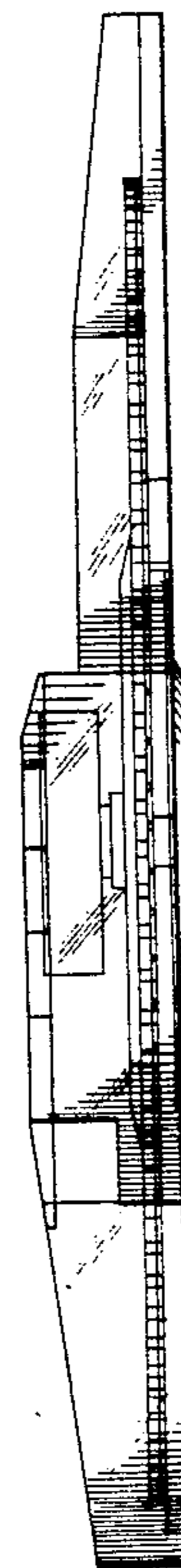


FIG. 4

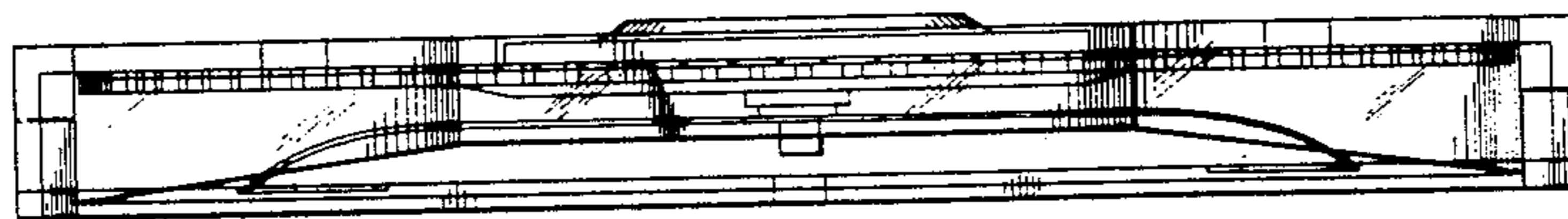


FIG. 6

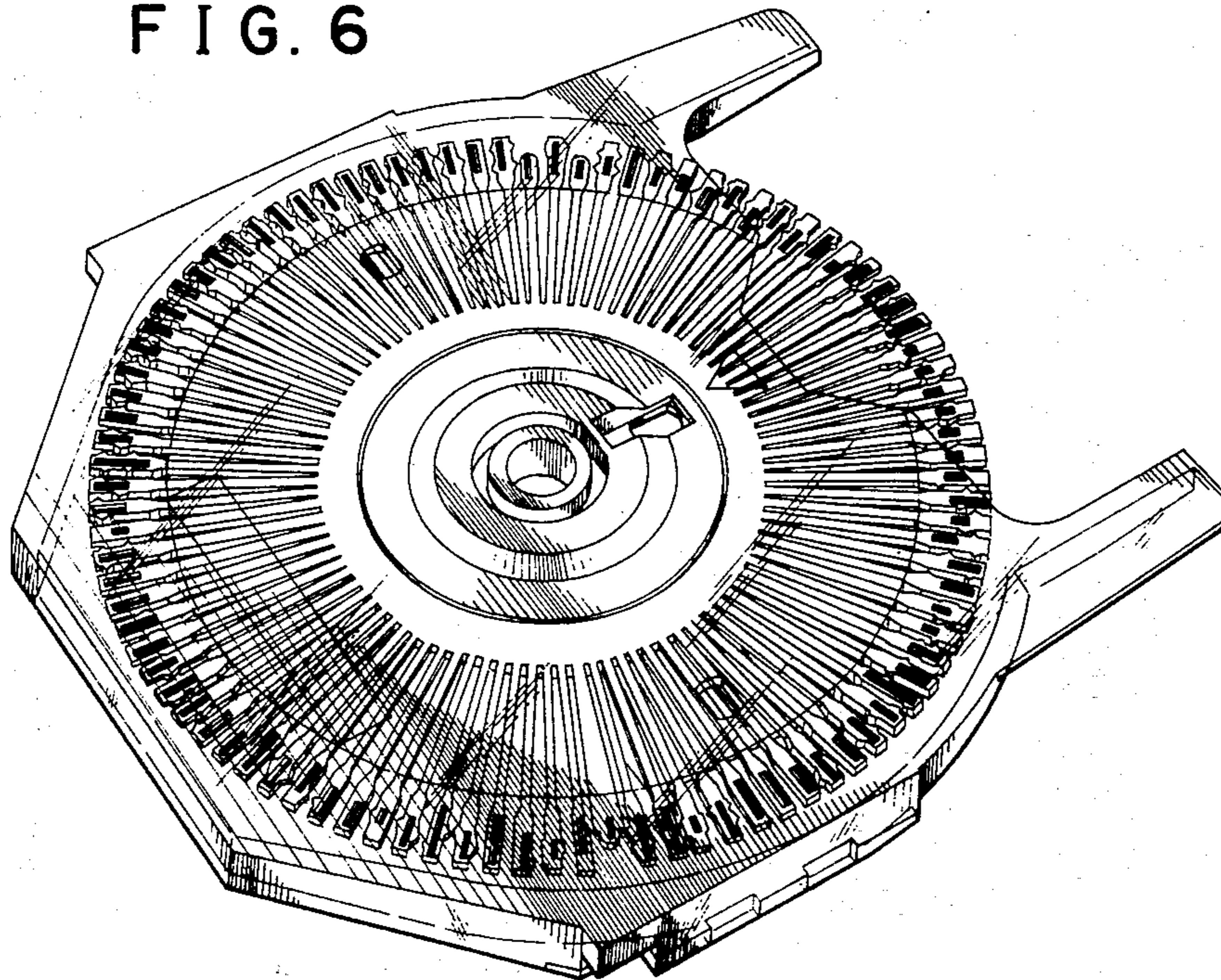


FIG. 7

