

[54] MICROFILM RETRIEVAL TERMINAL OR THE LIKE

[75] Inventor: Monte D. Lavine, Rochester, N.Y.

[73] Assignee: Eastman Kodak Company, Rochester, N.Y.

[**] Term: 14 Years

[21] Appl. No.: 701,728

[22] Filed: Feb. 14, 1985

[52] U.S. Cl. D16/14; D16/11

[58] Field of Search D16/11, 14; 353/27, 353/44, 79, 119, DIG. 3; 355/44, 45

[56] References Cited

U.S. PATENT DOCUMENTS

D. 182,709 5/1958 Bravo D16/11

D. 228,205	8/1973	McClare	D16/14
D. 245,080	7/1977	McClare	D16/14 X
D. 263,719	4/1982	McConnell	D16/14 X
3,055,266	9/1962	Frantz	355/45 X
3,094,036	6/1963	Benson	355/45 X
3,765,759	10/1973	Yamada	355/45

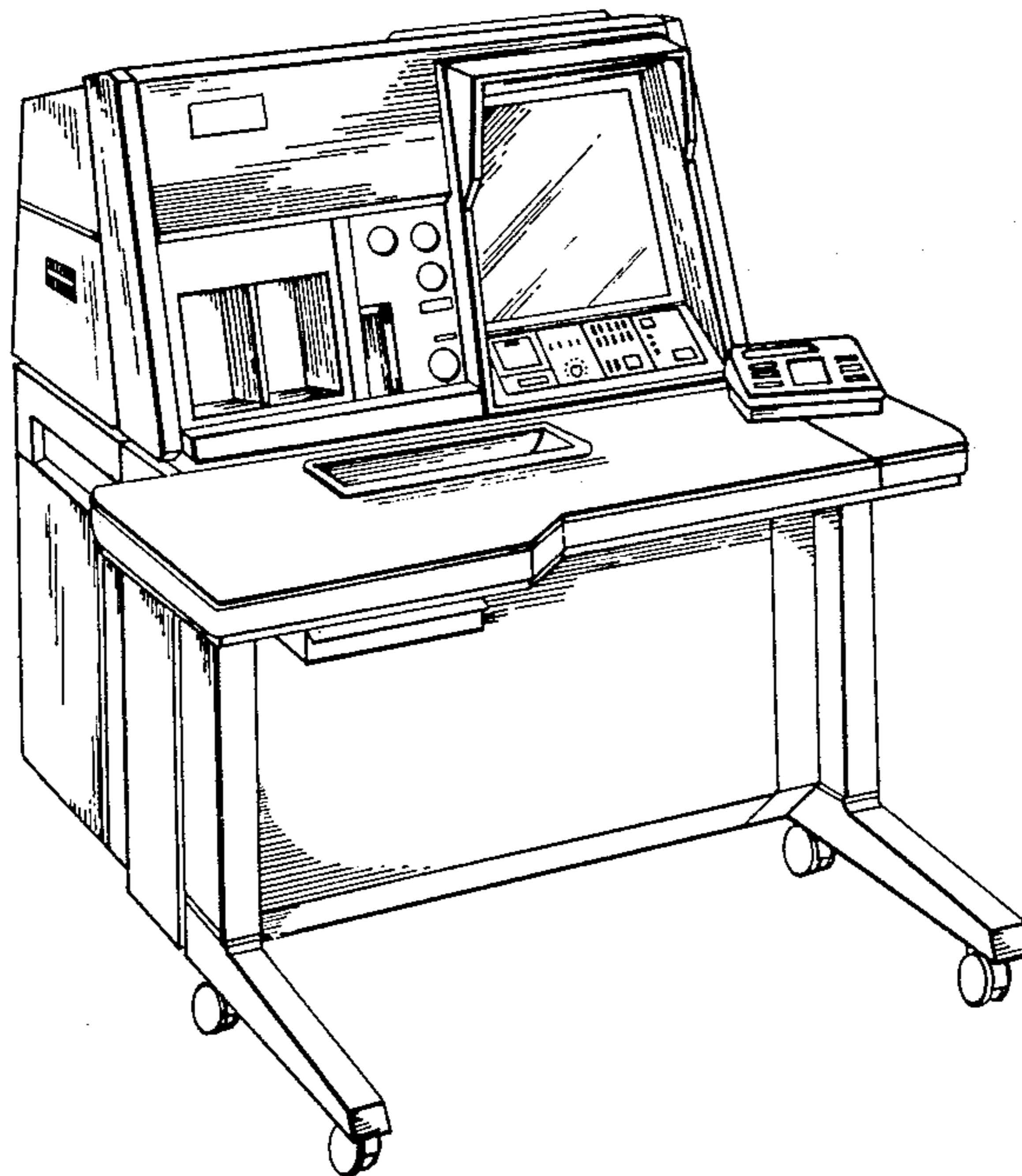
Primary Examiner—Nelson C. Holtje
Attorney, Agent, or Firm—Dennis R. Arndt

[57] CLAIM

The ornamental design for a microfilm retrieval terminal or the like, as shown.

DESCRIPTION

FIG. 1 is a top and left front perspective view of a microfilm retrieval terminal or the like showing my new design;
FIG. 2 is a right side elevational view thereof; and
FIG. 3 is a rear elevational view thereof.



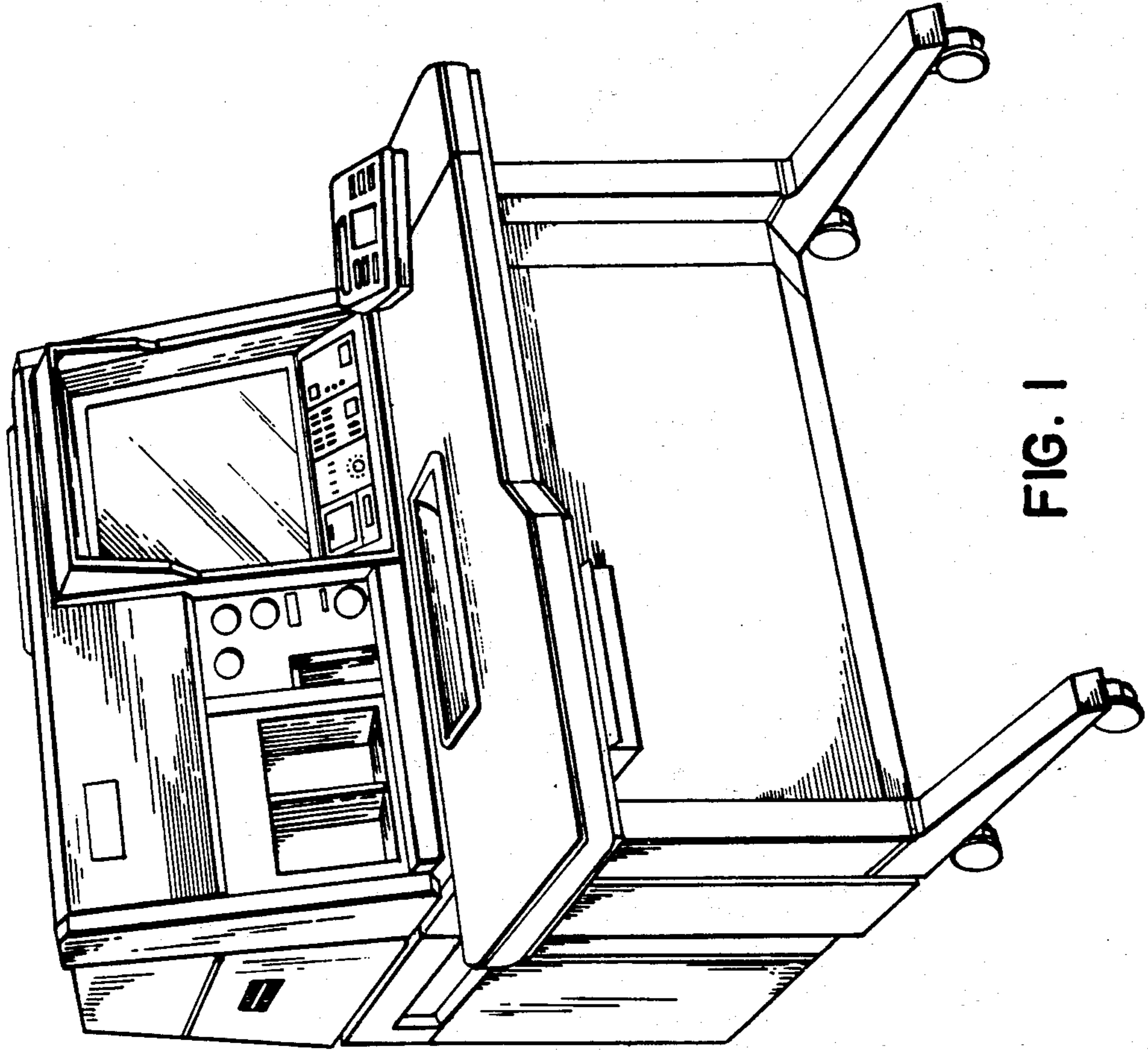


FIG. 1

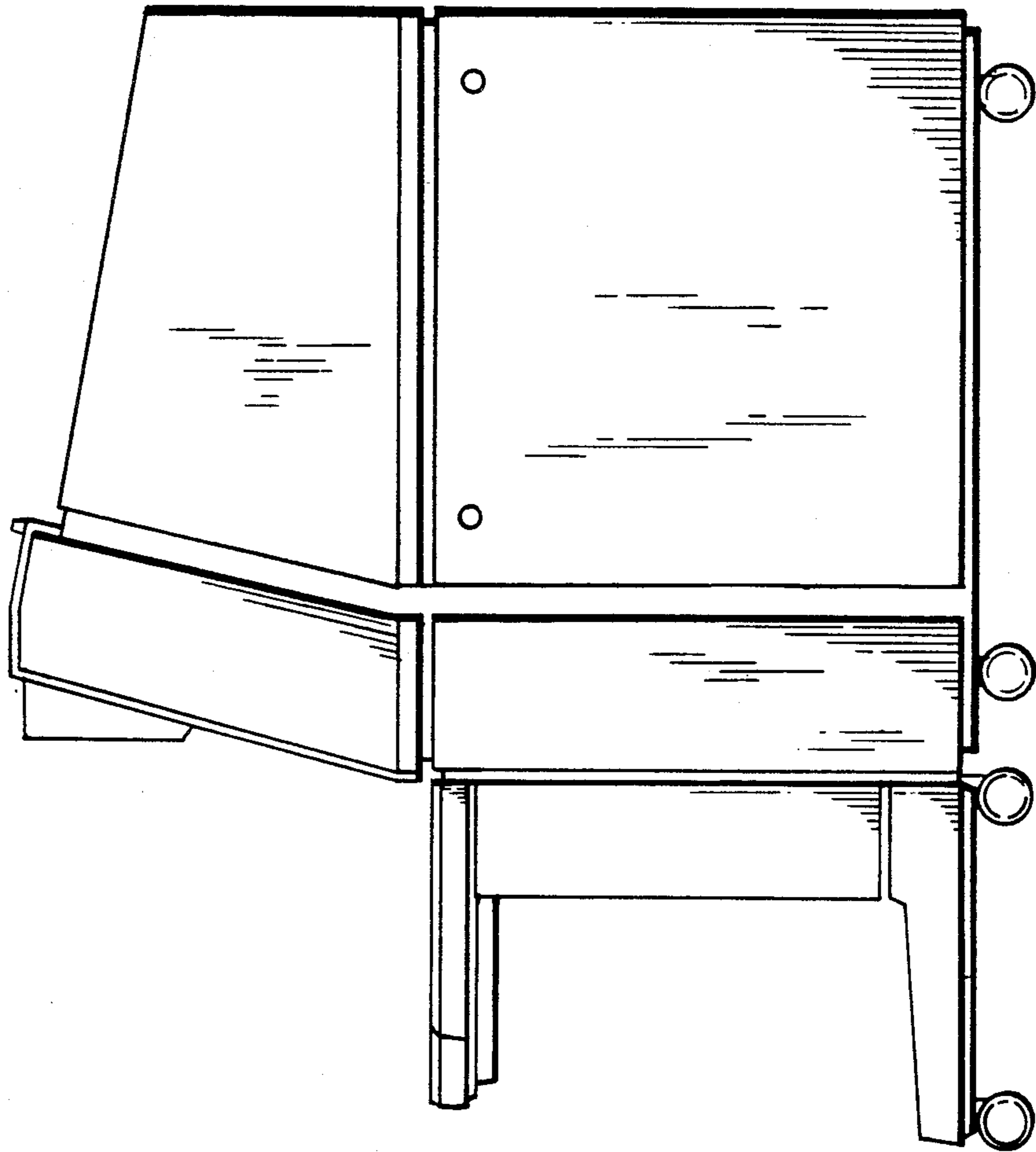


FIG. 2

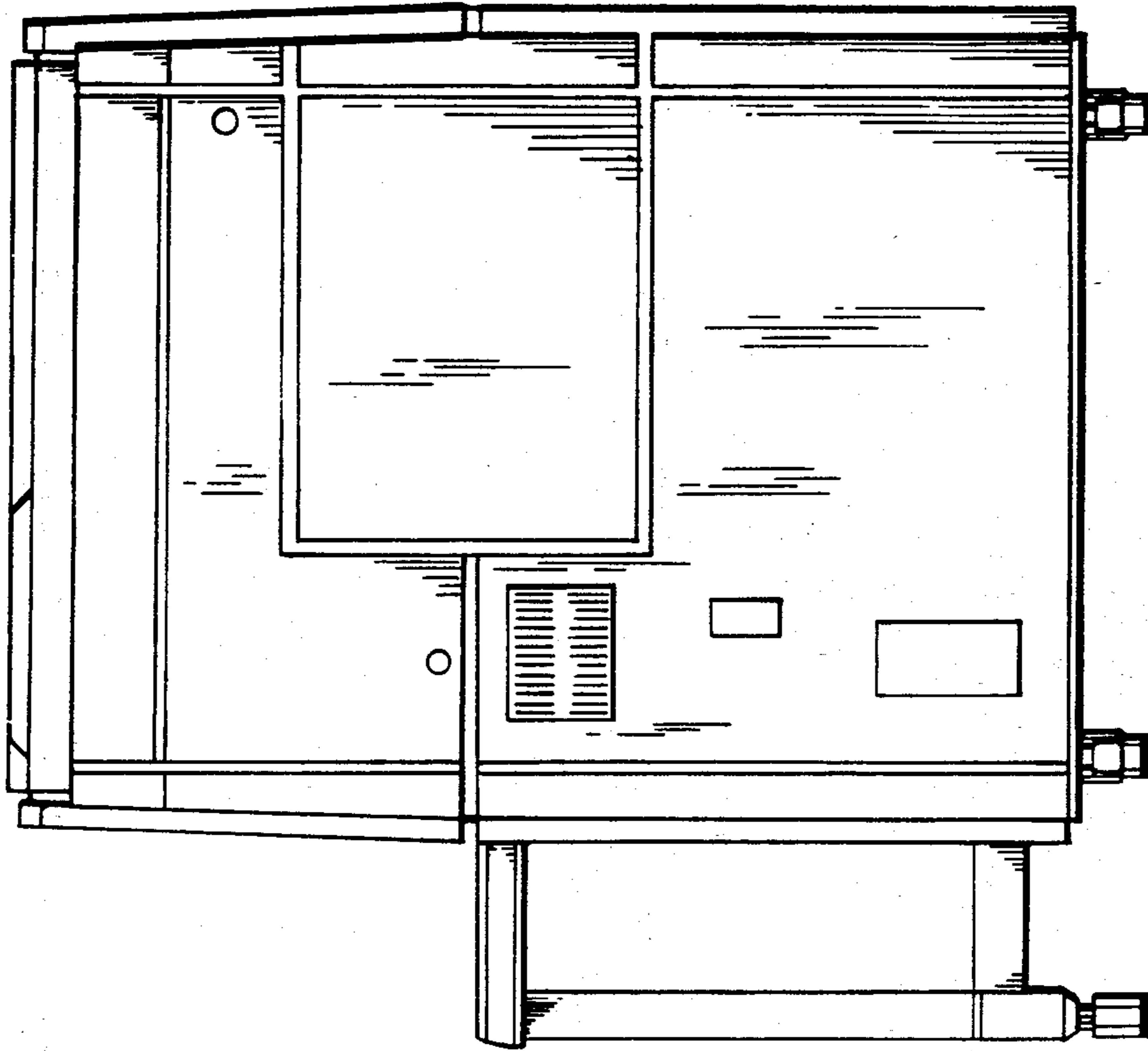


FIG. 3