

[54] COMPUTER MONITOR

[75] Inventors: Youn H. Chang, Suwon-Si; Soo D. Kim, Seoul, both of Rep. of Korea

[73] Assignee: Samsung Electron Devices Co., Ltd., Kyungki-Do, Rep. of Korea

[**] Term: 14 Years

[21] Appl. No.: 743,582

[22] Filed: Jun. 11, 1985

[30] Foreign Application Priority Data

Dec. 17, 1984 [KR] Rep. of Korea 84-14992

[52] U.S. Cl. D14/113

[58] Field of Search D14/100, 106, 113, 77, D14/80, 81, 82, 84; 340/700, 711, 720; 358/248, 249, 254; 312/7.2

[56] References Cited

U.S. PATENT DOCUMENTS

- D. 263,710 4/1982 Asano D14/106
- D. 278,809 5/1985 McLaughlin D14/113
- D. 280,623 9/1985 Marshall D14/106

OTHER PUBLICATIONS

Computer Design, 6-1983, p. 16, MPC Video Display Terminal.

Datamation, 6-1983, p. 126, Televideo Display Terminal.

Primary Examiner—Susan J. Lucas
Attorney, Agent, or Firm—Brumbaugh, Graves, Donohue & Raymond

[57] CLAIM

The ornamental design for a computer monitor, as shown and described.

DESCRIPTION

FIG. 1 is a front perspective view of a computer monitor showing our new design;

FIG. 2 is a rear perspective view thereof;

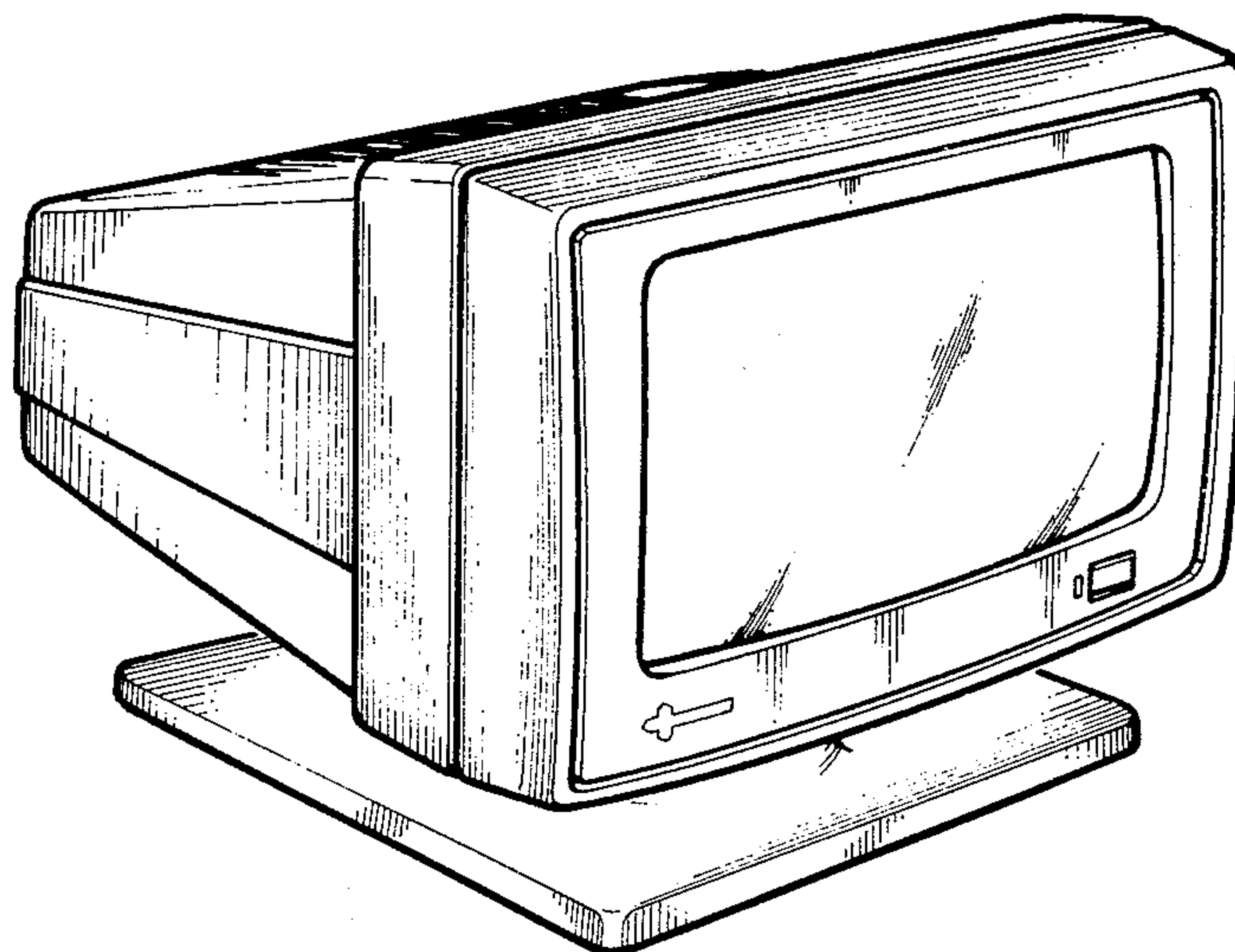
FIG. 3 is a top plan view thereof on an enlarged scale;

FIG. 4 is a front elevational view thereof on an enlarged scale;

FIG. 5 is a bottom plan view thereof on an enlarged scale;

FIG. 6 is a rear elevational view thereof on an enlarged scale;

FIG. 7 is a right side elevational view thereof on an enlarged scale, the left side being a mirror image.



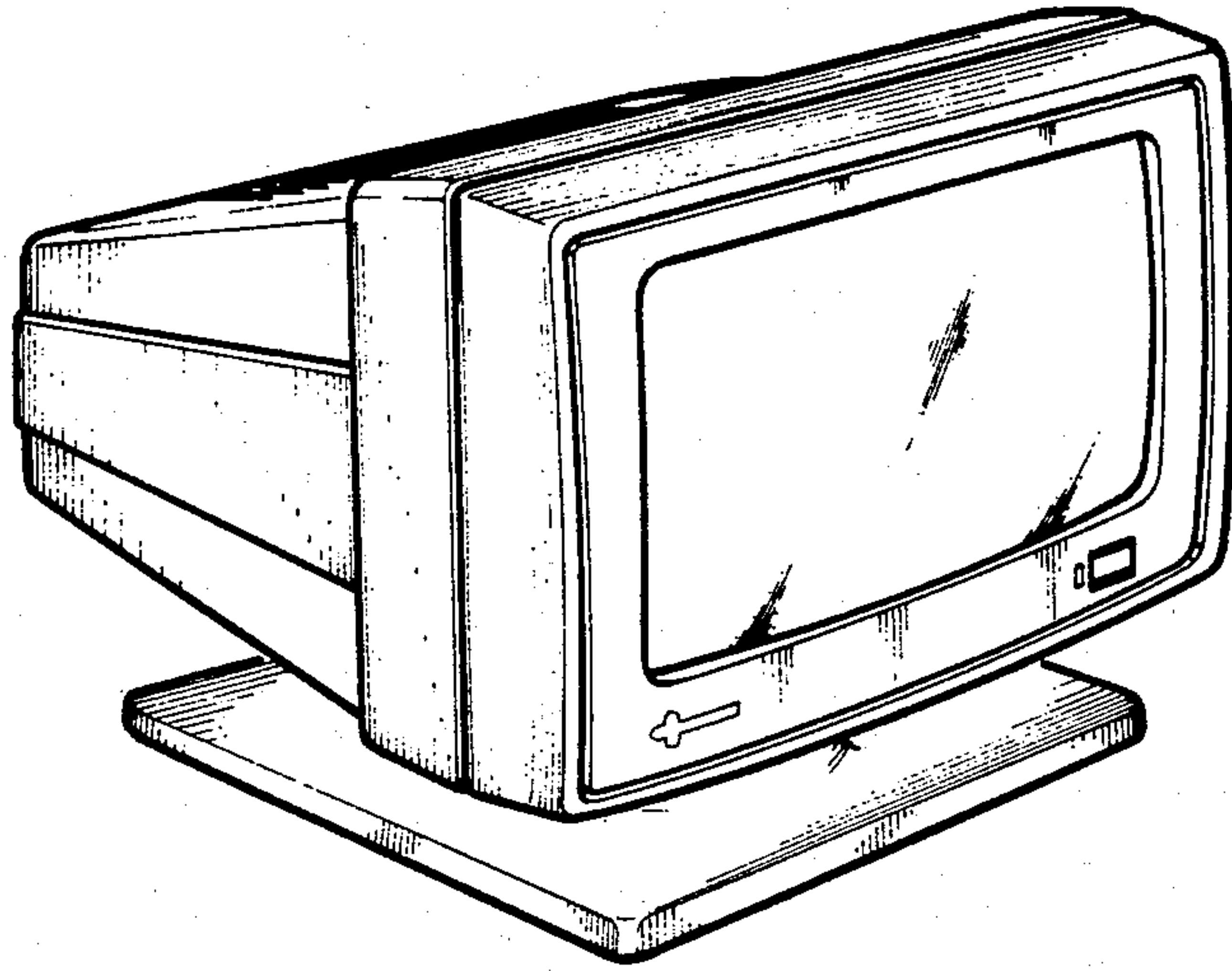


FIG. 1

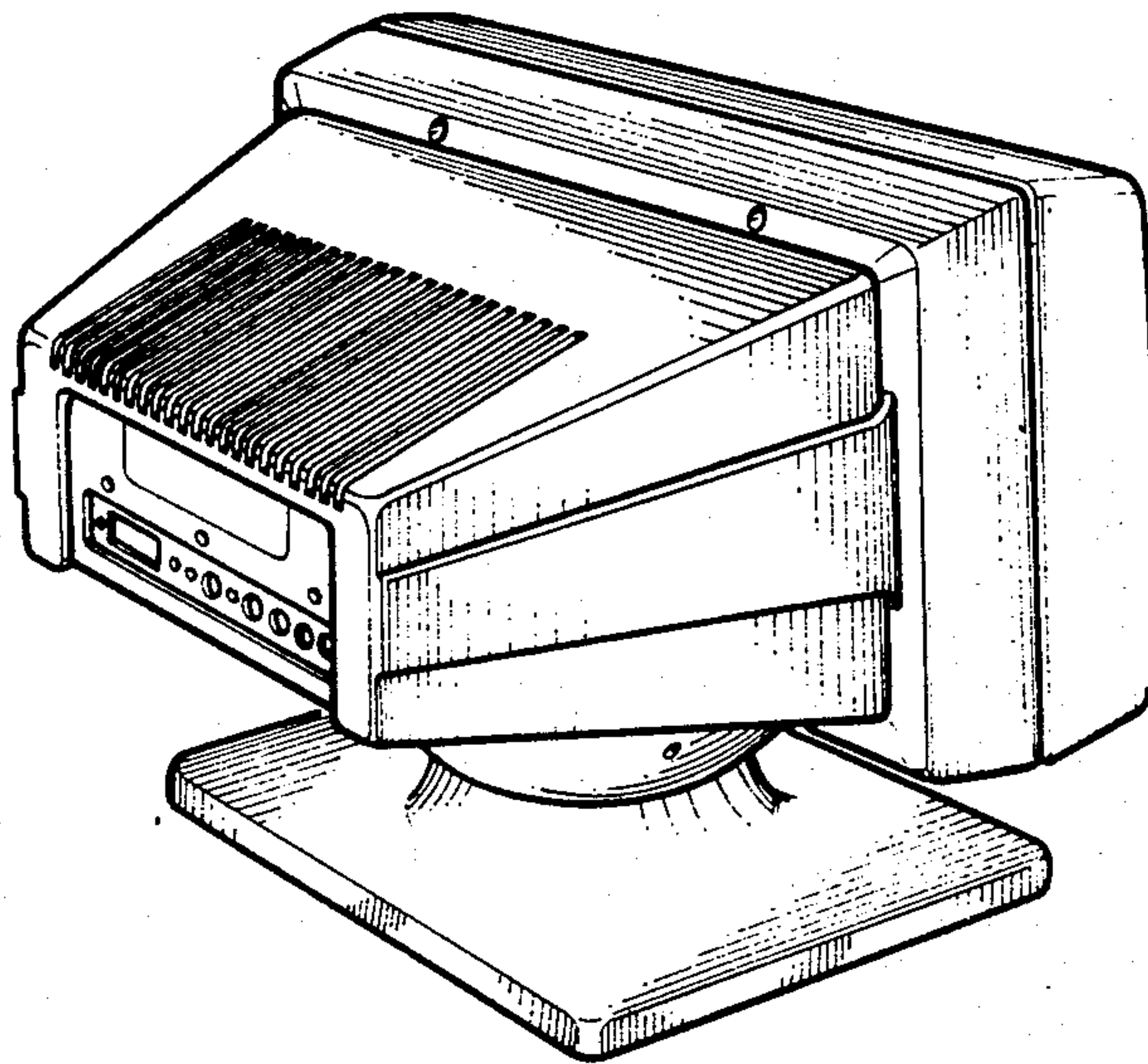


FIG. 2

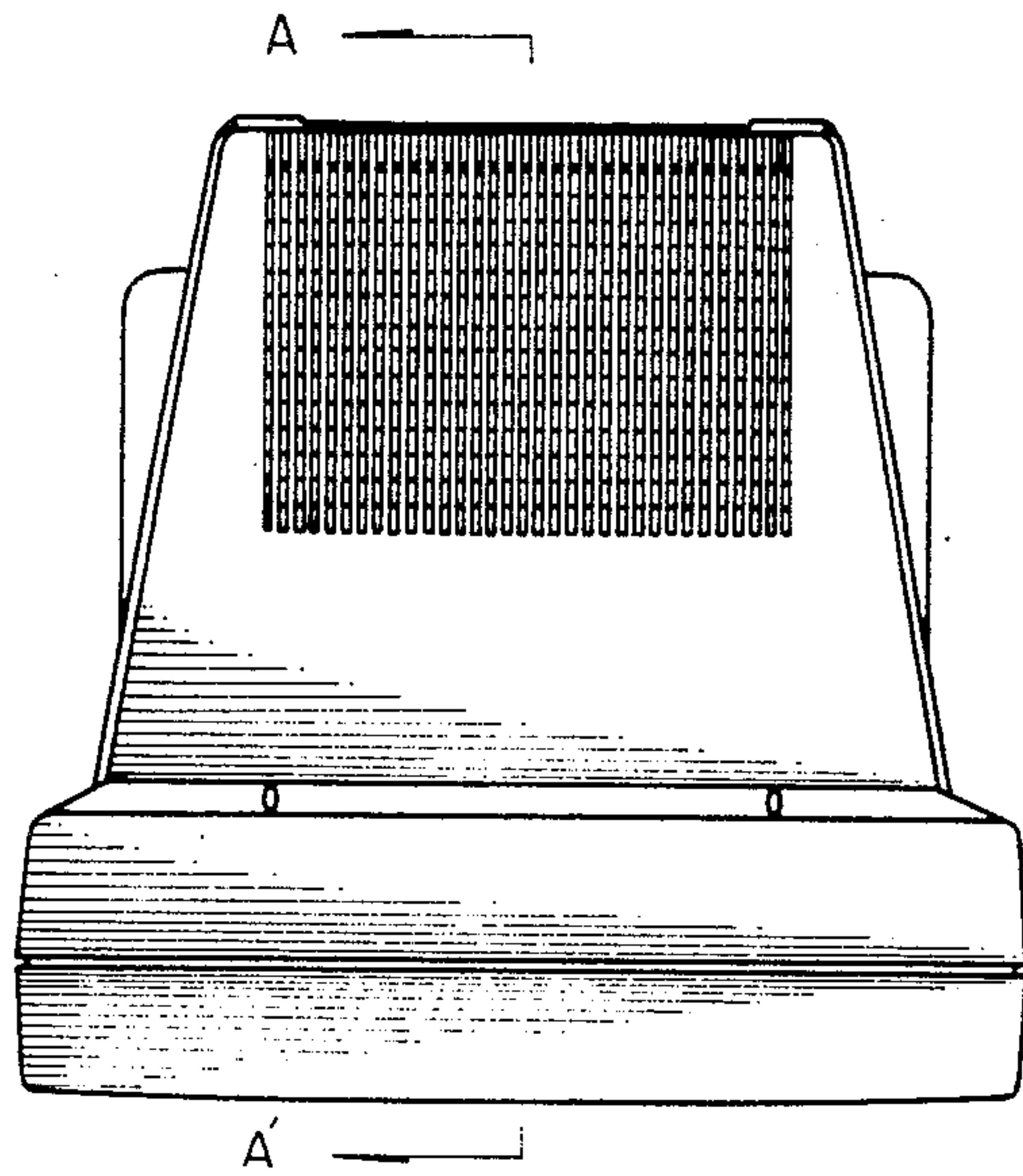


FIG. 3

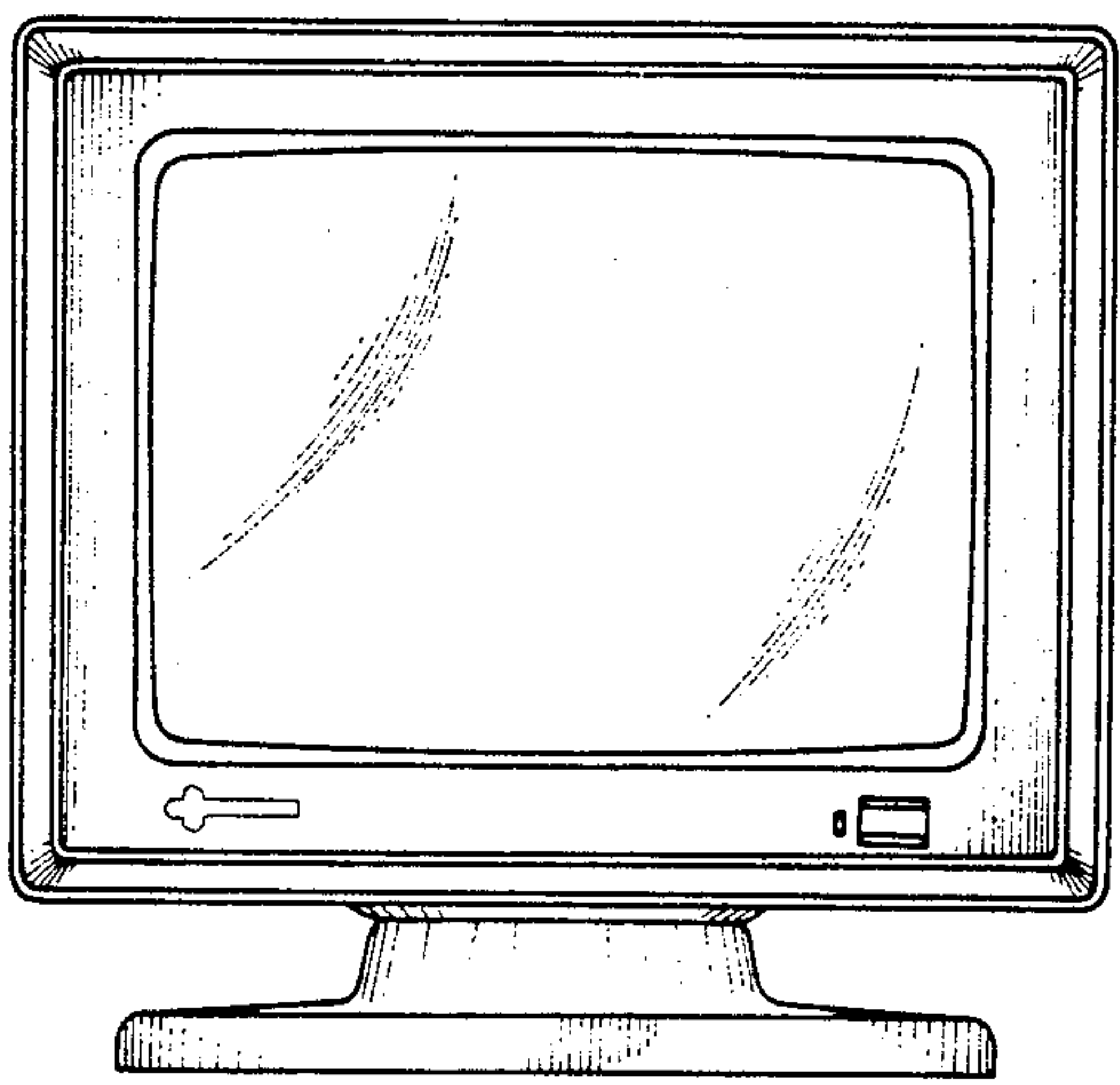


FIG. 4

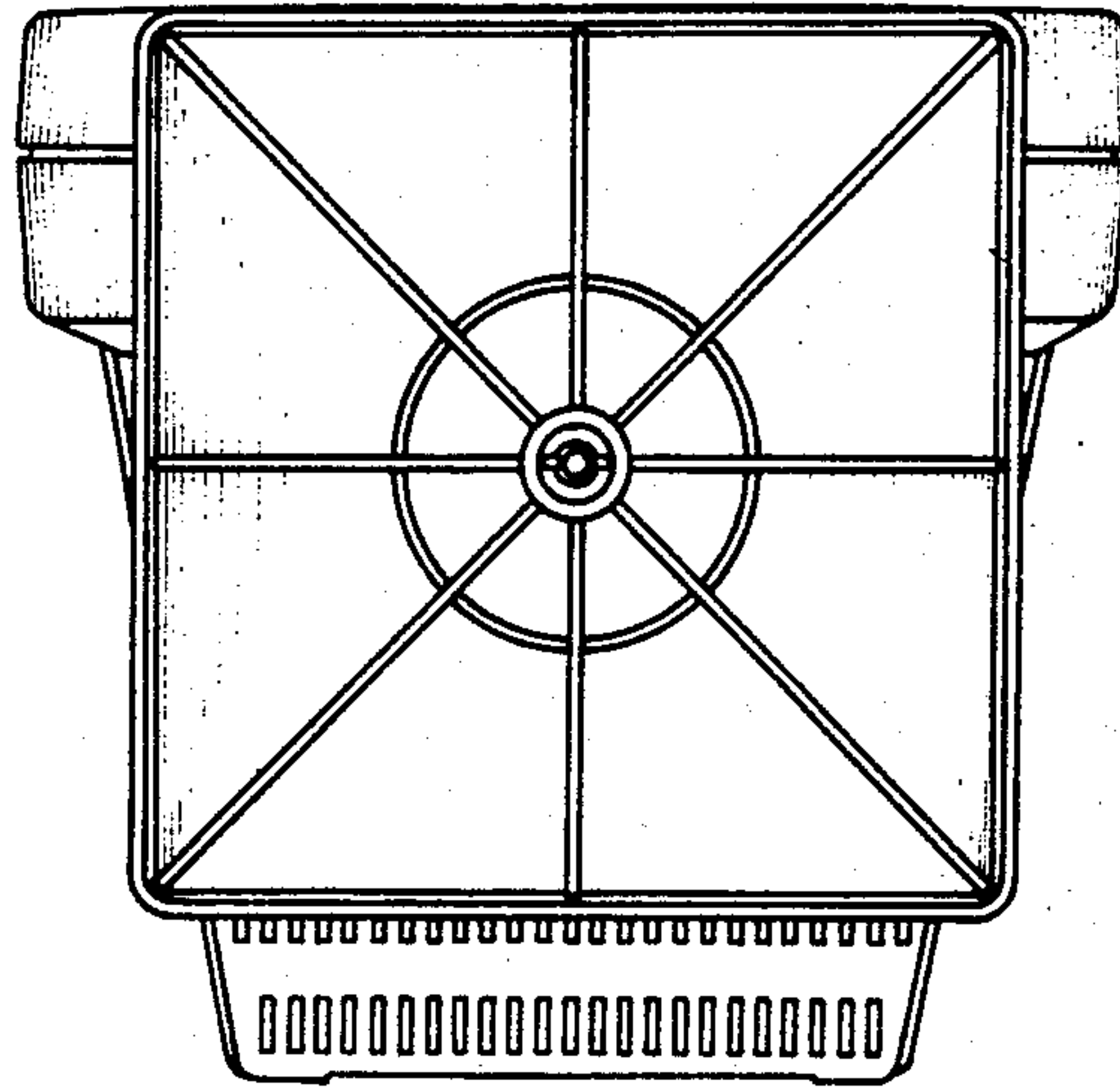


FIG. 5

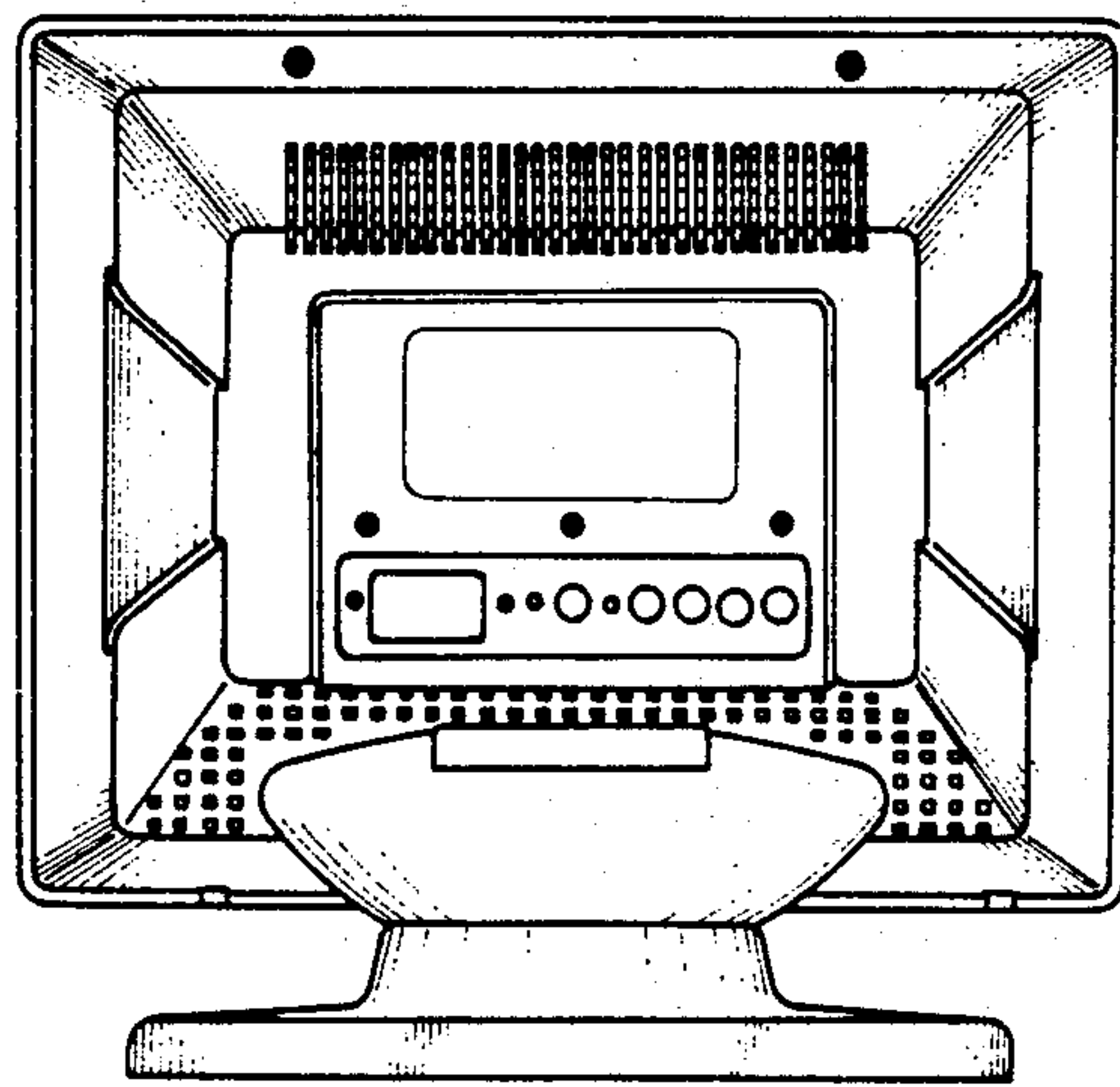


FIG. 6

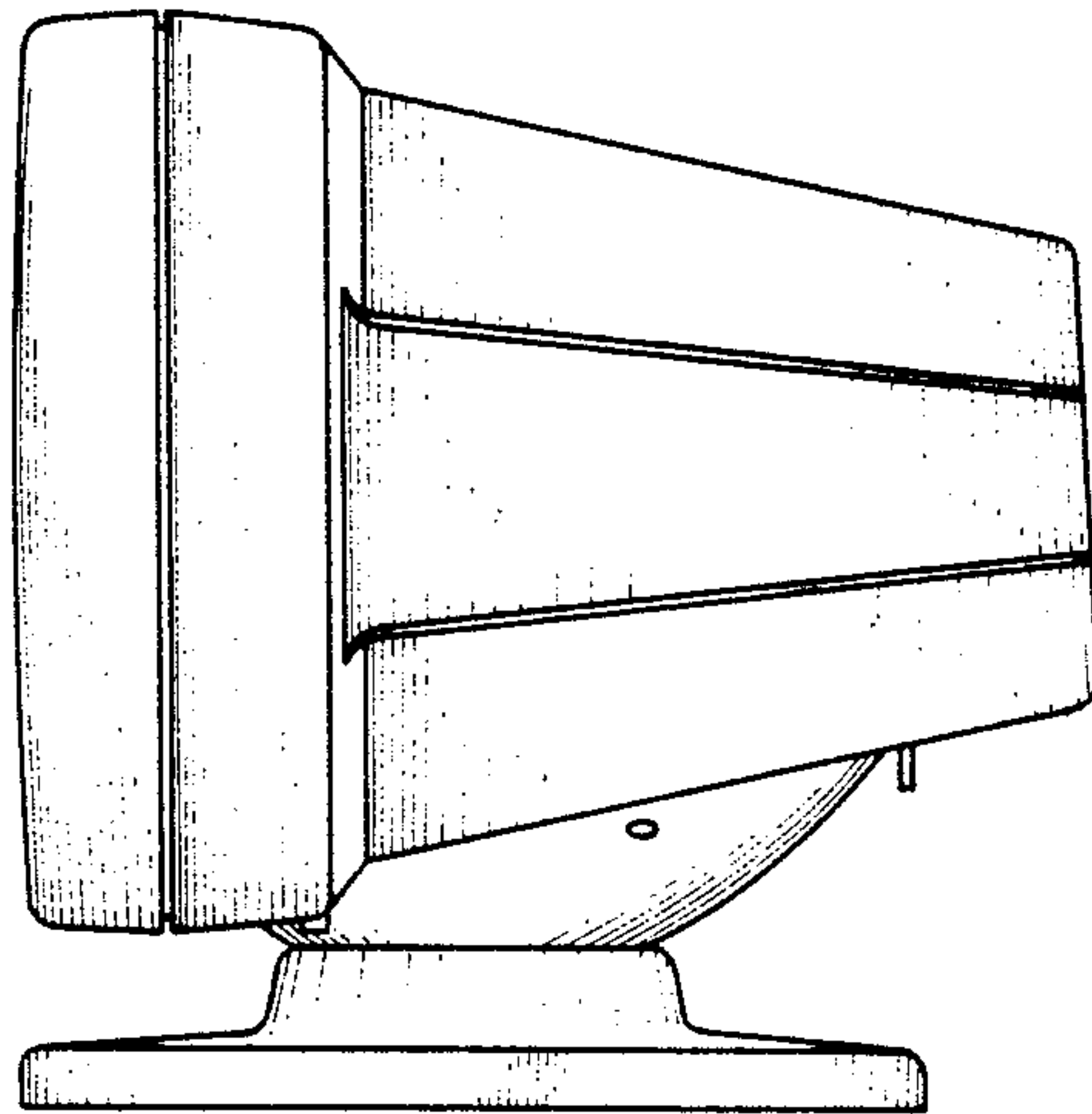


FIG. 7