

[54] COMBINED HAND HELD PORTABLE COMPUTER AND CARRYING CASE THEREFOR

[76] Inventors: Charles W. Weisel, Jr., 93 Top Sail Ct., Greenville, S.C. 29611; Lewie H. Miller, Jr., Rte. 12, Thriftside Dr., Greenville, S.C. 29609

[\*\*] Term: 14 Years

[21] Appl. No.: 668,830

[22] Filed: Nov. 6, 1984

[52] U.S. Cl. .... D14/100; D18/2; D18/7

[58] Field of Search ..... D14/100, 106, 107; 340/365 R, 711; 364/708; D18/5, 7, 11, 2; D3/56, 66; D9/326; D19/26, 28

[56] References Cited

U.S. PATENT DOCUMENTS

- D. 268,422 3/1983 Yoshioka et al. .... D18/7
- D. 269,355 6/1983 Yamagami ..... D18/7
- D. 284,966 8/1986 Larkins ..... D14/100
- 1,646,632 10/1927 Spinner ..... D3/66 X
- 4,090,247 5/1978 Martin ..... D14/100 X
- 4,143,417 3/1979 Wald et al. .... 340/711 X
- 4,369,973 1/1983 D'Aurora et al. .... D18/7 X
- 4,395,704 7/1983 Kishimoto et al. .... 340/365 R X

Primary Examiner—Susan J. Lucas  
Attorney, Agent, or Firm—Charles W. Helzer

[57] CLAIM

The ornamental design for a combined hand held portable computer and carrying case therefor, as shown and described.

DESCRIPTION

FIG. 1 is a top, exploded perspective view of the combined hand held portable computer and carrying case therefor showing our new design, the case being opened and the computer being removed therefrom;

FIG. 2 is a top perspective view thereof in assembled condition, the case being closed;

FIG. 3 is a top plan view thereof;

FIG. 4 is a side elevational view thereof as seen from the left of FIG. 3;

FIG. 5 is a side elevational view thereof as seen from the right of FIG. 3;

FIG. 6 is an end elevational view thereof, the opposite end being a mirror image;

FIG. 7 is a top plan view of the portable computer on an enlarged scale, the carrying case being omitted for convenience of illustration;

FIG. 8 is a side elevational view thereof, the opposite side being a mirror image, the carrying case being omitted for purposes of disclosure;

FIG. 9 is an end elevational view thereof, the opposite end being a mirror image, the carrying case being omitted for purposes of disclosure.

The bottom of the carrying case and the bottom of the computer are flat and unornamented.

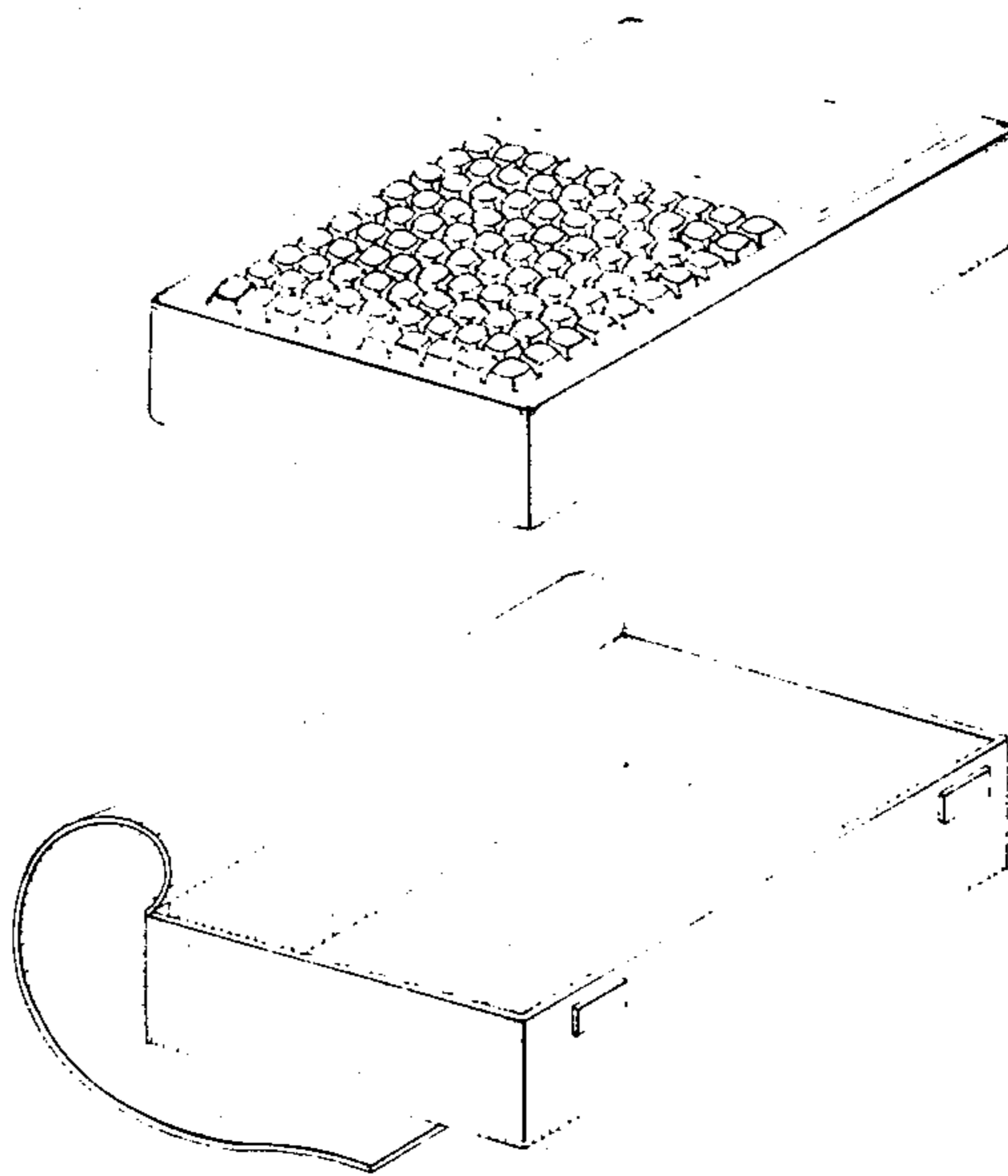


Fig. 1

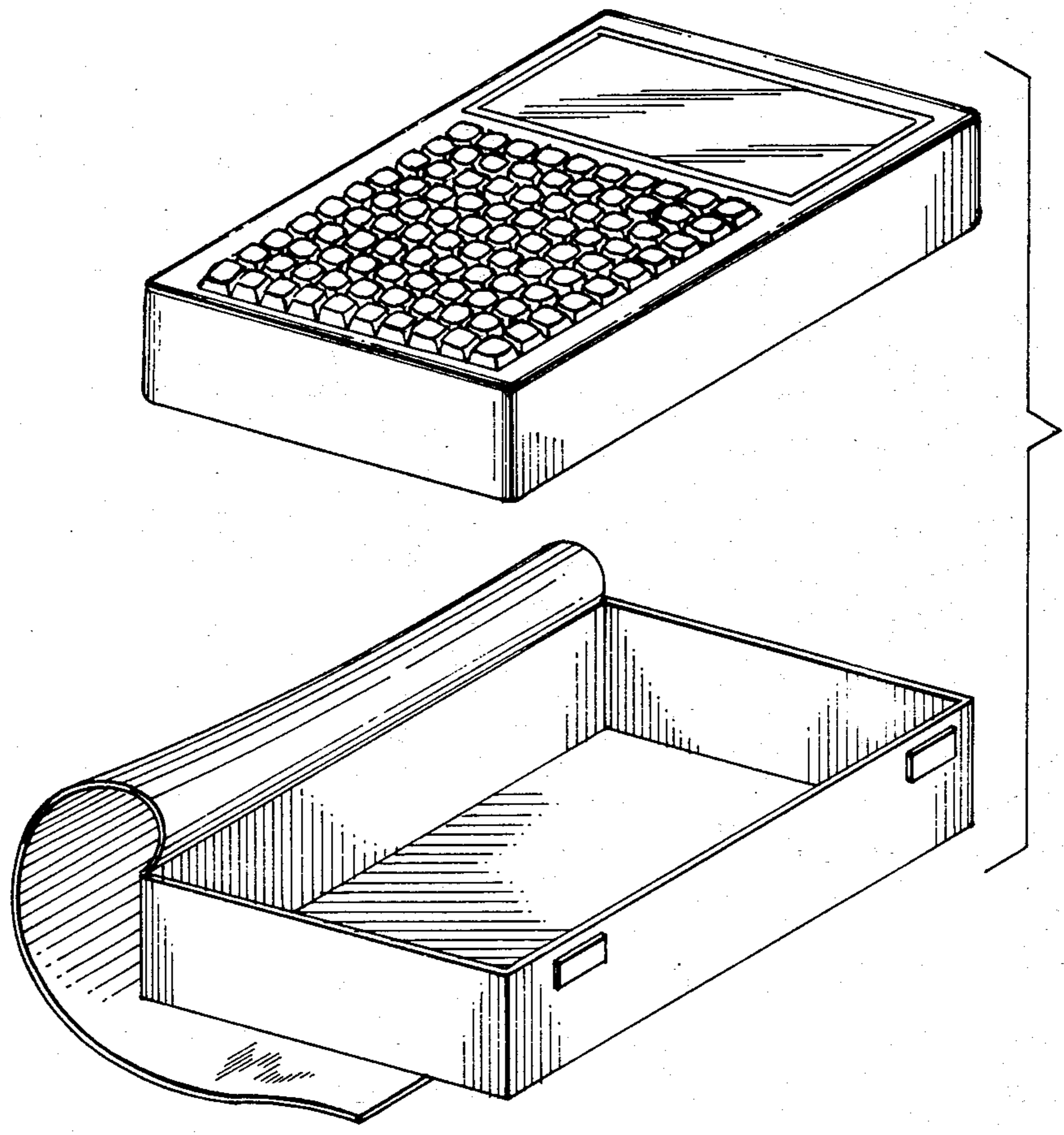
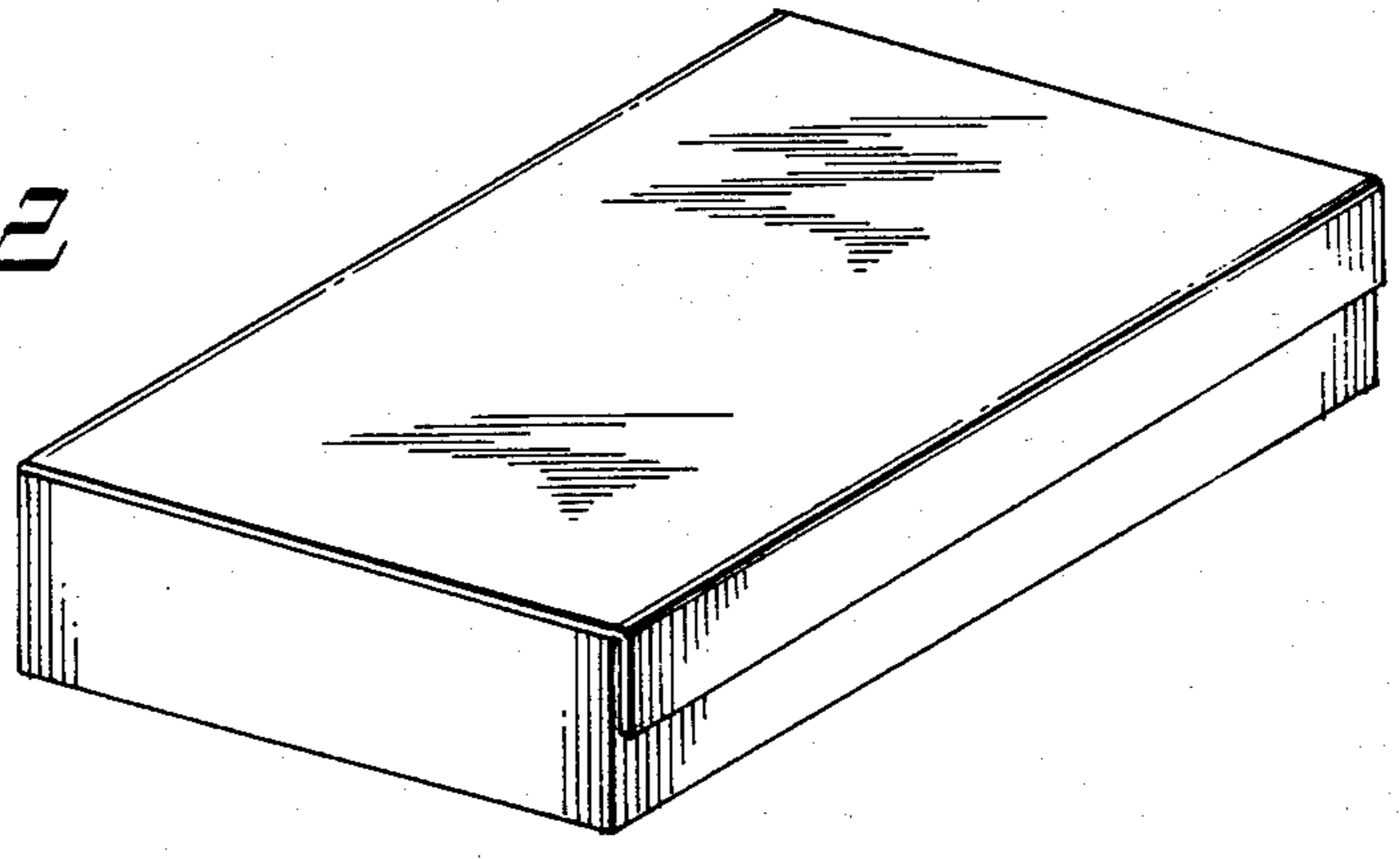


Fig. 2



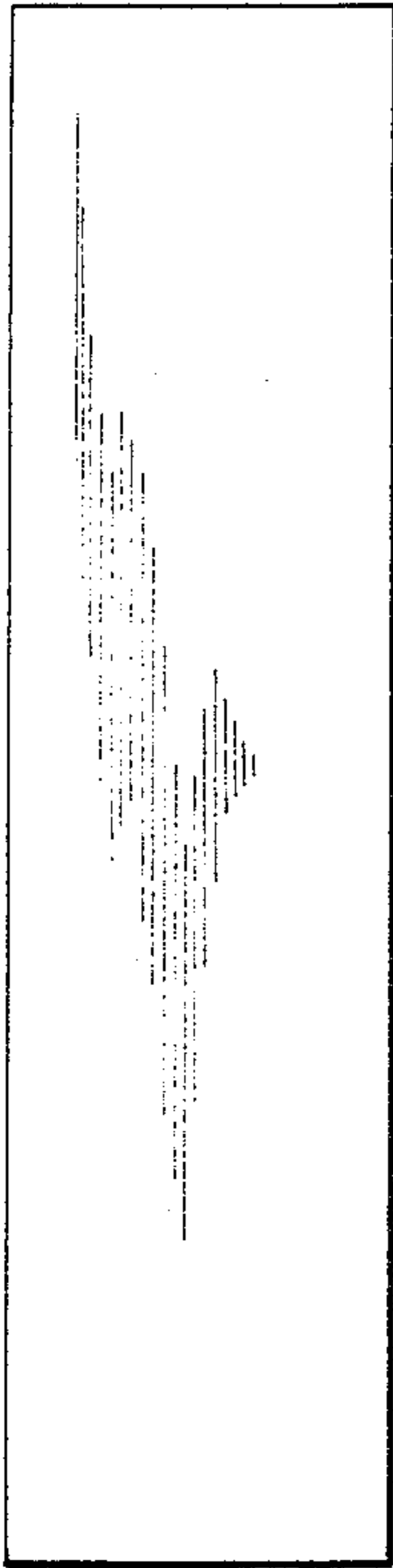


Fig. 4

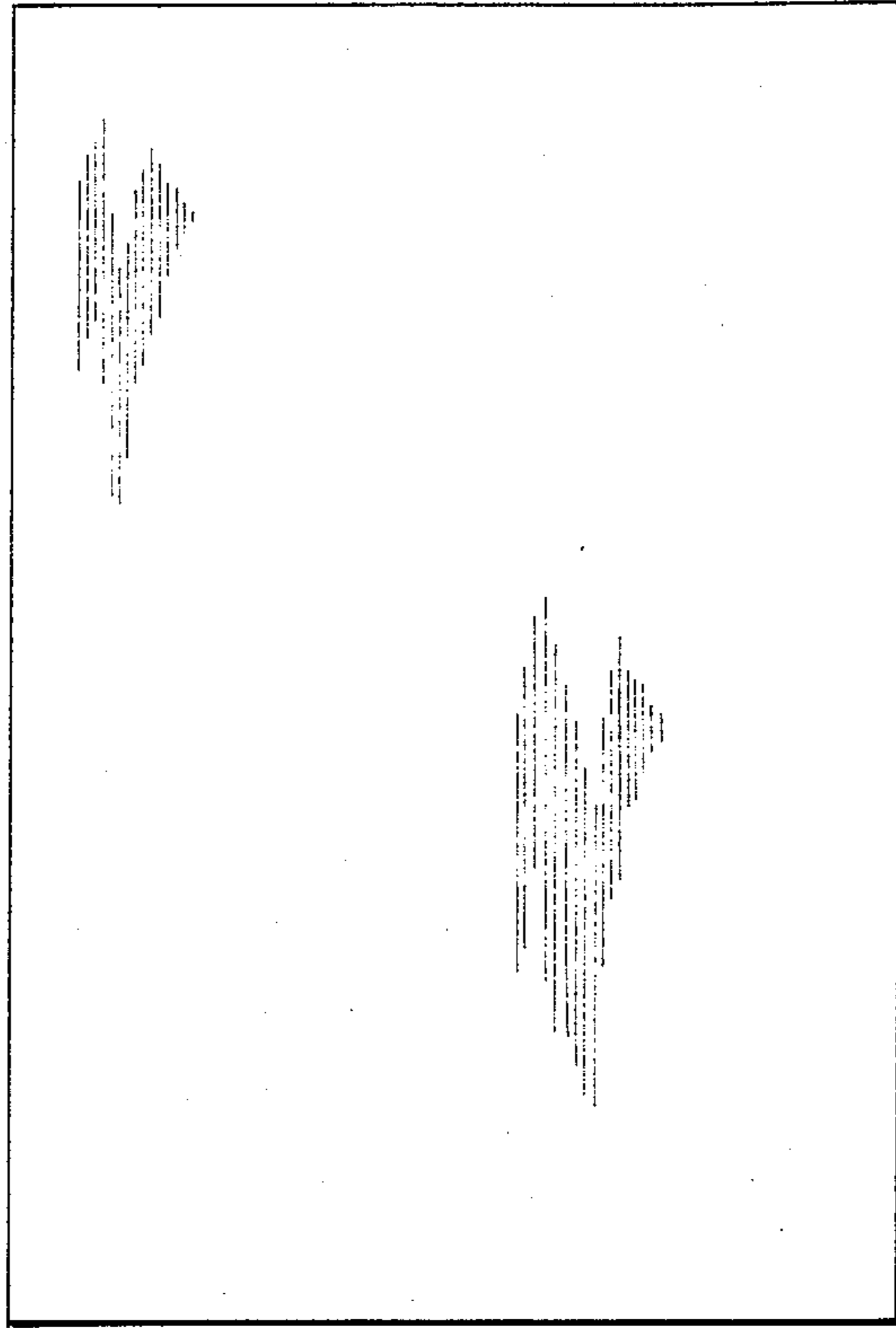


Fig. 3

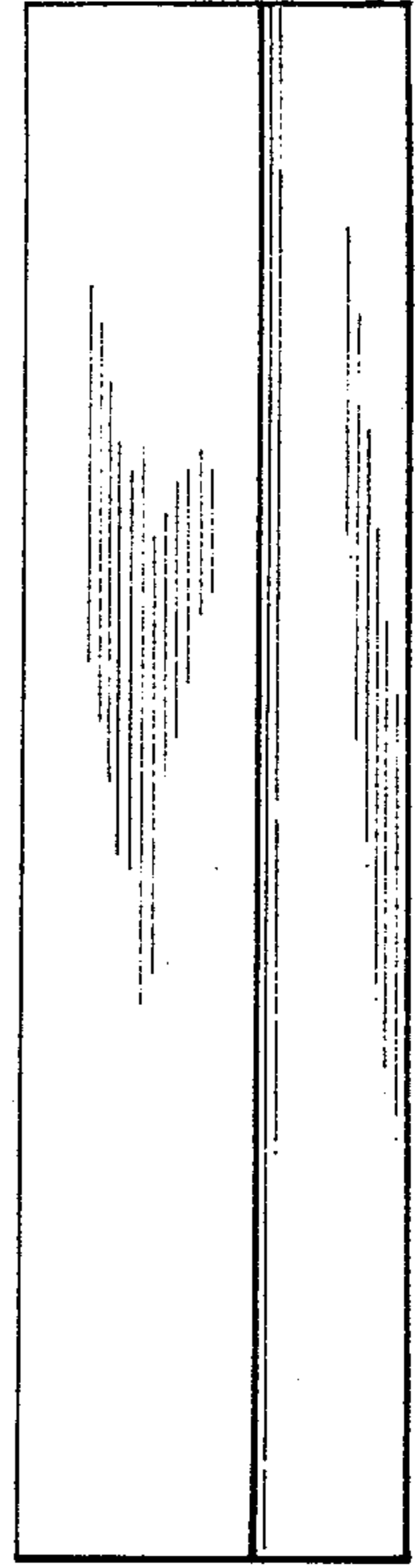


Fig. 5

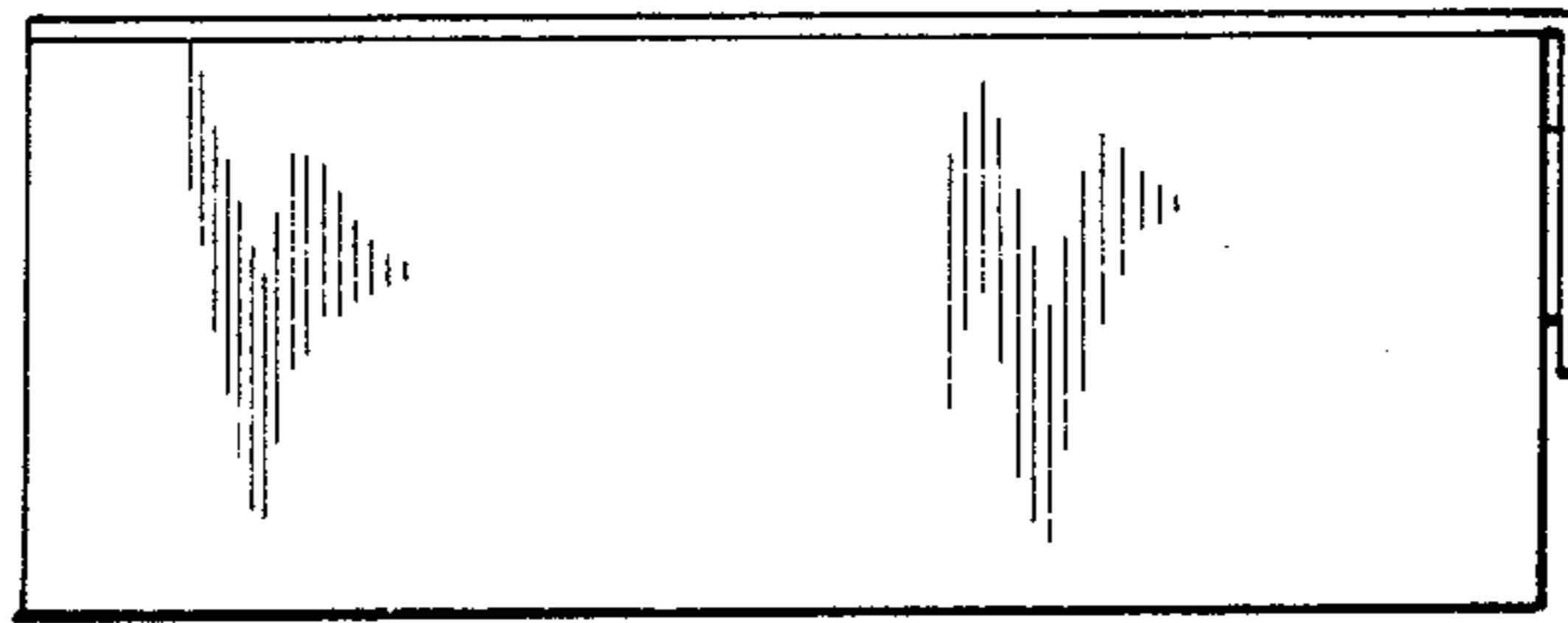
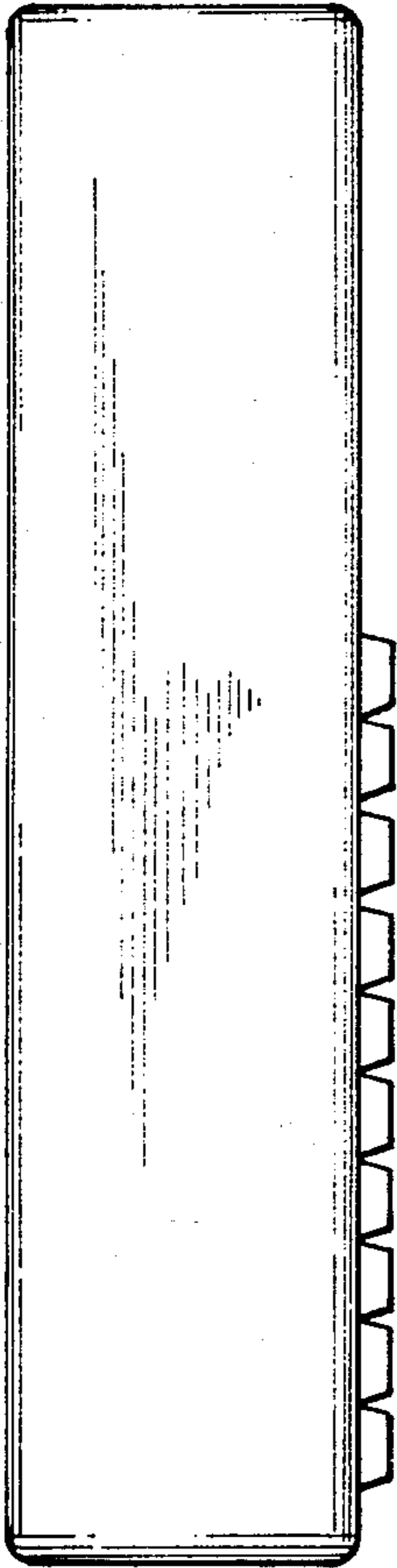
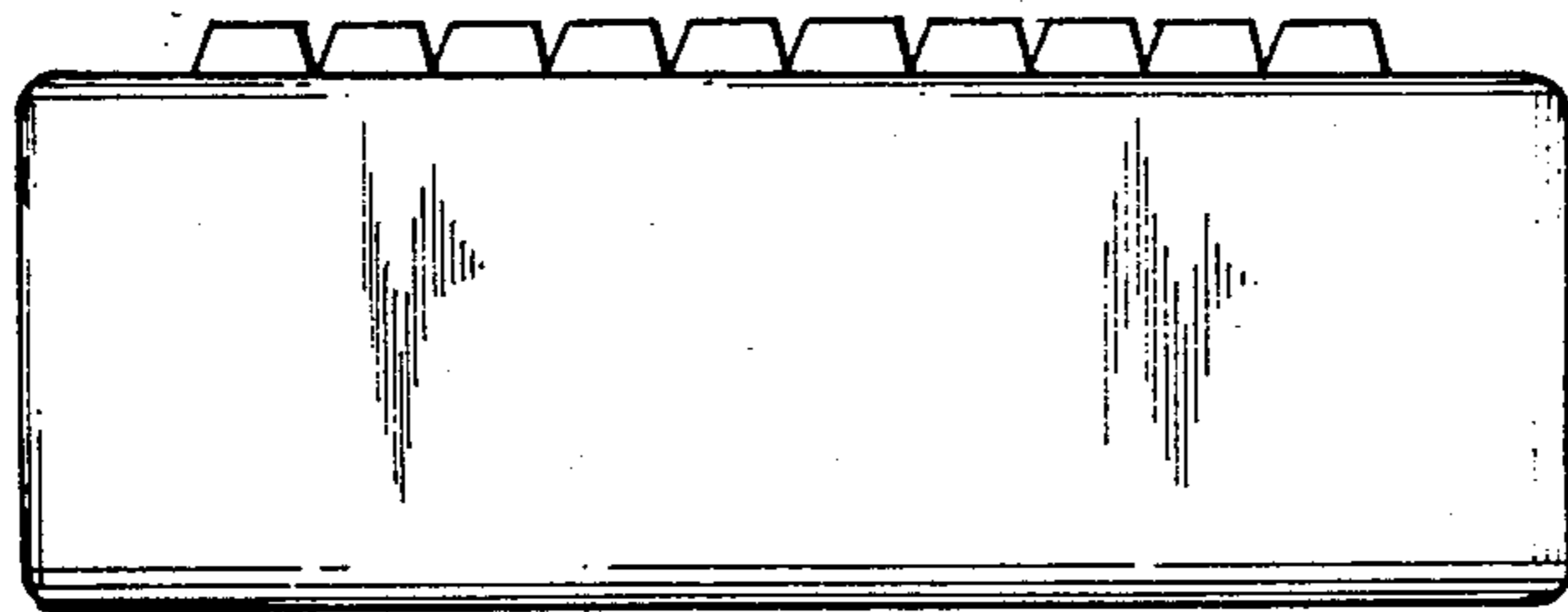
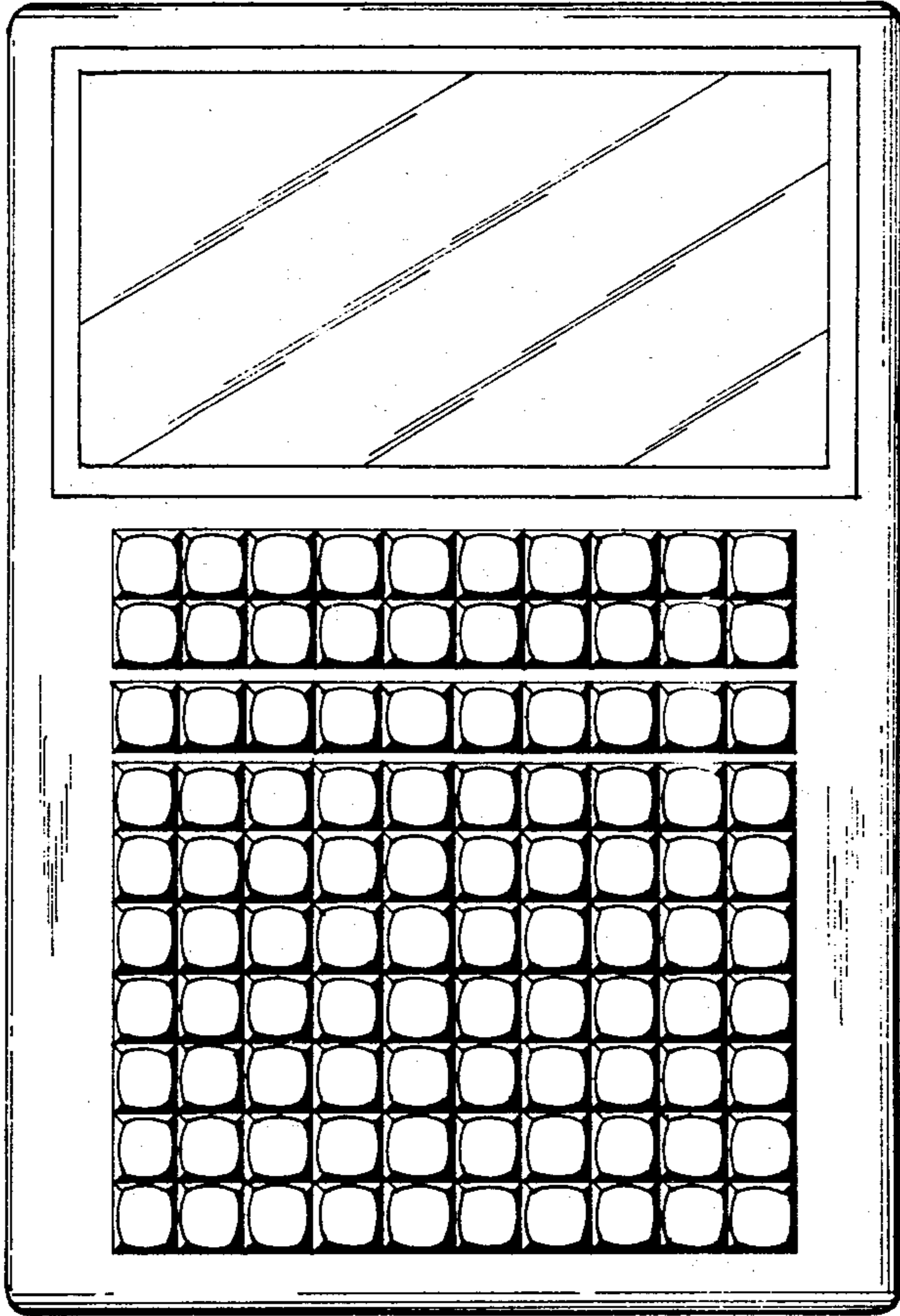


Fig. 6

*Fig. 8*



*Fig. 7*



*Fig. 9*